

Studer D950

Mixing Console

- 1. Alphabetical and Numerical Index**
- 2. Fader Panel Units**
- 3. Input Panel Units**
- 4. Meter Panel Units**
- 5. Central Control Units**
- 6. Monitor Units**
- 7. Power Supply**
- 8. Units of Connector Panel**
- 9. Monitor Eurocards**
- 10. Service Notes**

Prepared and edited by
Studer Professional Audio GmbH
Technical Documentation
Althardstrasse 30
CH-8105 Regensdorf – Switzerland
<http://www.studer.ch>

Copyright by Studer Professional Audio GmbH
Printed in Switzerland
Order no. 10.27.4332 (Ed. 1102)

Subject to change

Contents of Diagram Sections in Numerical Order

Assembly No.	Assembly	Section
1.915.111.81	Power Supply 3V...6V	7
1.917.400.23	Analog Source Selector	9
1.917.410.24	Monitor Group Selector	9
1.917.415.20	Insert Router Board	9
1.917.420.22	Talkback Selector	9
1.917.421.81	Talkback Sel Sideboard	9
1.917.425.20	Signaling IN 24CH Board	9
1.917.426.22	Signaling OUT 16CH Board	9
1.917.430.23	Dual Headphone Amp. Board	9
1.940.140.81	Optical Synchronous Interface	8
1.940.601.81	Power Supply 5V/20A	7
1.940.602.81	Power Supply $\pm 15V/3,4A$	7
1.940.603.81	Power Supply 24V/4,2A	7
1.940.604.81	Power Supply 12V/8A	7
1.940.704.81	Motor Driver/Touch Board	2
1.940.752.21	Channel Mux Board	3
1.940.820.00	Automation Control Unit	5
1.940.818.00	- Automation Control Unit Switchboard	
1.990.812.00	- SERDAT Interface Board	
1.950.189.20	Module Processor Board	5
1.950.460.21	Optical PC Interface Board	8
1.950.635.20	Bargraph Control	4
1.950.641.20	4CH VFD Digital Bargraph	4
1.950.652.00	TB MIC/Display Control Unit	4
1.950.655.00	TB MIC/Display CTL Board	4
1.950.703.00	Fader Front Board	2
1.950.705.00	4CH Fader Unit	2
1.950.707.00	D950M2 / Fader Front Board	2
1.950.707.00	D950M2 / Fader Front Board	2
1.950.708.00	D950M2 / Fader Driver Board	2
1.950.720.20	Joystick Module	5
1.950.721.00	Joystick Front Board	5
1.950.722.00	Joystick Driver Board	5
1.950.723.00	Joystick Complete	5
1.950.723.01	Motorised Joystick	5
1.950.731.20	Function Keyboard and Trackball	5
1.950.753.20	Channel Controller Board	3
1.950.754.00	Channel Front Board	3
1.950.755.20	4CH Input/Output Unit	3
1.950.756.20	Channel Controller Board	3
1.950.757.00	Channel Rotary Board	3
1.950.759.00	Channel Front Board	3
1.950.761.00	D950M2 / Channel Front Board	3
1.950.762.20	D950M2 / Channel Controller Board	3
1.950.771.20	CAS Controller Board	5
1.950.775.00	CAS Front Board	5
1.950.815.00	Central Assign Unit	5
1.950.820.00	Automation Master Panel	5
1.950.818.00	- Automation Control Panel	
1.990.812.00	- SERDAT Interface Board	
1.950.826.00	CAU Front Board	5
1.950.840.00	TFT Display Panel	5
1.950.850.22	Multi Format Monitoring Unit	6

cont. ...

Assembly No.	Assembly	Section
1.950.851.00 1.950.853.00	Front Board MMU	6
1.950.852.20	Multi Format Monitoring Unit	6
1.950.855.22	Assignable Stem Selector	6
1.950.856.00	Front Board Assignable Stem Selector	6
1.950.860.22	CR Monitor Panel RS485	6
1.950.870.22	Studio Monitor Panel RS485	6
1.950.880.22	PFL/TB/Headphone Panel RS485	6
1.950.890.22	Source Selector Panel RS485	6
1.950.891.20	Panel Adapter RS485	6
1.960.044.00	Motor Fader	2
1.990.190.31	Modul Processor Board	2
1.990.195.00	Single Processor Unit	2
1.990.429.00	CR Monitor Switch Board	6
1.990.439.00	Studio Monitor Switch Board	6
1.990.449.00	PFL/TB/Headphone Switch Board	6
1.990.490.00	Bank Selector	5
1.990.490.00	Central Facility Unit	5
1.990.490.00	Master Menu Selector	5
1.990.490.00	Source Selector Unit	5
1.990.498.00 1.990.499.00	Source Selector Board - Source Selector Switch Board	5
1.990.499.00	Source Selector Switch Board	6
1.990.633.00	Bargraph VFD + Bus Board	4
1.990.812.00	Serdat Interface Board	5

Contents of Diagram Sections in Alphabetical Order

Assembly	Assembly No.	Section
4CH Fader Unit	1.950.705.00	2
4CH Input/Output Unit	1.950.755.20	3
4CH VFD Digital Bargraph	1.950.641.20	4
Analog Source Selector	1.917.400.23	9
Assignable Stem Selector	1.950.855.22	6
Automation Control Unit	1.940.820.00	5
- Automation Control Unit Switchboard	1.940.818.00	
- SERDAT Interface Board	1.990.812.00	
Automation Master Panel	1.950.820.00	5
- Automation Control Panel	1.950.818.00	
- SERDAT Interface Board	1.990.812.00	
Bank Selector	1.990.490.00	5
Bargraph Control	1.950.635.20	4
Bargraph VFD + Bus Board	1.990.633.00	4
CAS Controller Board	1.950.771.20	5
CAS Front Board	1.950.775.00	5
CAU Front Board	1.950.826.00	5
Central Assign Unit	1.950.815.00	5
Central Facility Unit	1.990.490.00	5
Channel Controller Board	1.950.753.20	3
Channel Controller Board	1.950.756.20	3
Channel Front Board	1.950.754.00	3
Channel Front Board	1.950.759.00	3
Channel Mux Board	1.940.752.21	3
Channel Rotary Board	1.950.757.00	3
CR Monitor Panel RS485	1.950.860.22	6
CR Monitor Switch Board	1.990.429.00	6
Dual Headphone Amp. Board	1.917.430.23	9
D950M2 / Channel Front Board	1.950.761.00	3
D950M2 / Channel Controller Board	1.950.762.20	3
D950M2 / Fader Front Board	1.950.707.00 1.950.707.81	2
D950M2 / Fader Driver Board	1.950.708.00	2
Fader Front Board	1.950.703.00	2
Front Board Assignable Stem Selector	1.950.856.00	6
Front Board MMU	1.950.851.00 1.950.853.00	6
Function Keyboard and Trackball	1.950.731.20	5
Insert Router Board	1.917.415.20	9
Joystick Complete	1.950.723.00	5
Joystick Driver Board	1.950.722.00	5
Joystick Front Board	1.950.721.00	5
Joystick Module	1.950.720.20	5
Master Menu Selector	1.990.490.00	5
Modul Processor Board	1.990.190.31	2
Module Processor Board	1.950.189.20	5
Monitor Group Selector	1.917.410.24	9
Motor Driver/Touch Board	1.940.704.81	2
Motor Fader	1.960.044.00	2
Motorised Joystick	1.950.723.01	5
Multi Format Monitoring Unit	1.950.850.22	6
Multi Format Monitoring Unit	1.950.852.20	6
Optical PC Interface Board	1.950.460.21	8

cont. ...

Assembly	Assembly No.	Section
Optical Synchronous Interface	1.940.140.81	8
Panel Adapter RS485	1.950.891.20	6
PFL/TB/Headphone Panel RS485	1.950.880.22	6
PFL/TB/Headphone Switch Board	1.990.449.00	6
Power Supply 3V...6V	1.915.111.81	7
Power Supply 5V/20A	1.940.601.81	7
Power Supply 12V/8A	1.940.604.81	7
Power Supply $\pm 15V/3,4A$	1.940.602.81	7
Power Supply 24V/4,2A	1.940.603.81	7
Serdat Interface Board	1.990.812.00	5
Signaling IN 24CH Board	1.917.425.20	9
Signaling OUT 16CH Board	1.917.426.22	9
Single Processor Unit	1.990.195.00	2
Source Selector Board	1.990.498.00	5
- Source Selector Switch Board	1.990.499.00	
Source Selector Panel RS485	1.950.890.22	6
Source Selector Switch Board	1.990.499.00	6
Source Selector Unit	1.990.490.00	5
Studio Monitor Panel RS485	1.950.870.22	6
Studio Monitor Switch Board	1.990.439.00	6
Talkback Selector	1.917.420.22	9
Talkback Sel Sideboard	1.917.421.81	9
TB MIC/Display CTL Board	1.950.655.00	4
TB MIC/Display Control Unit	1.950.652.00	4
TFT Display Panel	1.950.840.00	5

SCHEMATA / CIRCUIT DIAGRAMS

Fader Panel Units

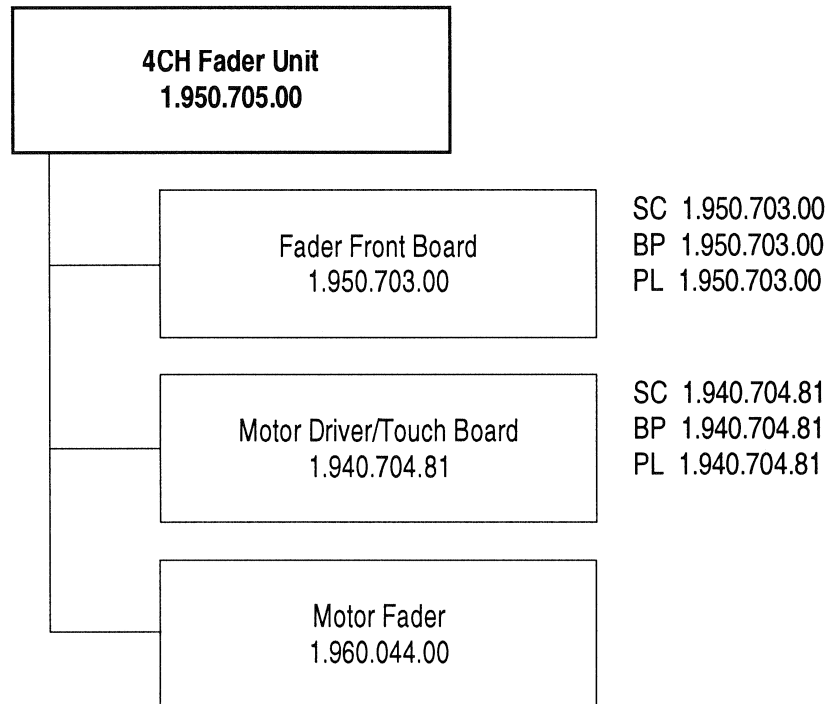
4CH Fader Unit	1.950.705.00
Fader Front Board	1.950.703.00
Motor Driver/Touch Board	1.940.704.81
Motor Fader	1.960.044.00
Single Processor Unit	1.990.195.00
Modul Processor Board	1.990.190.31

D950 M2

Fader Front Board	1.950.707.00/.81
Fader Driver Board	1.950.708.00

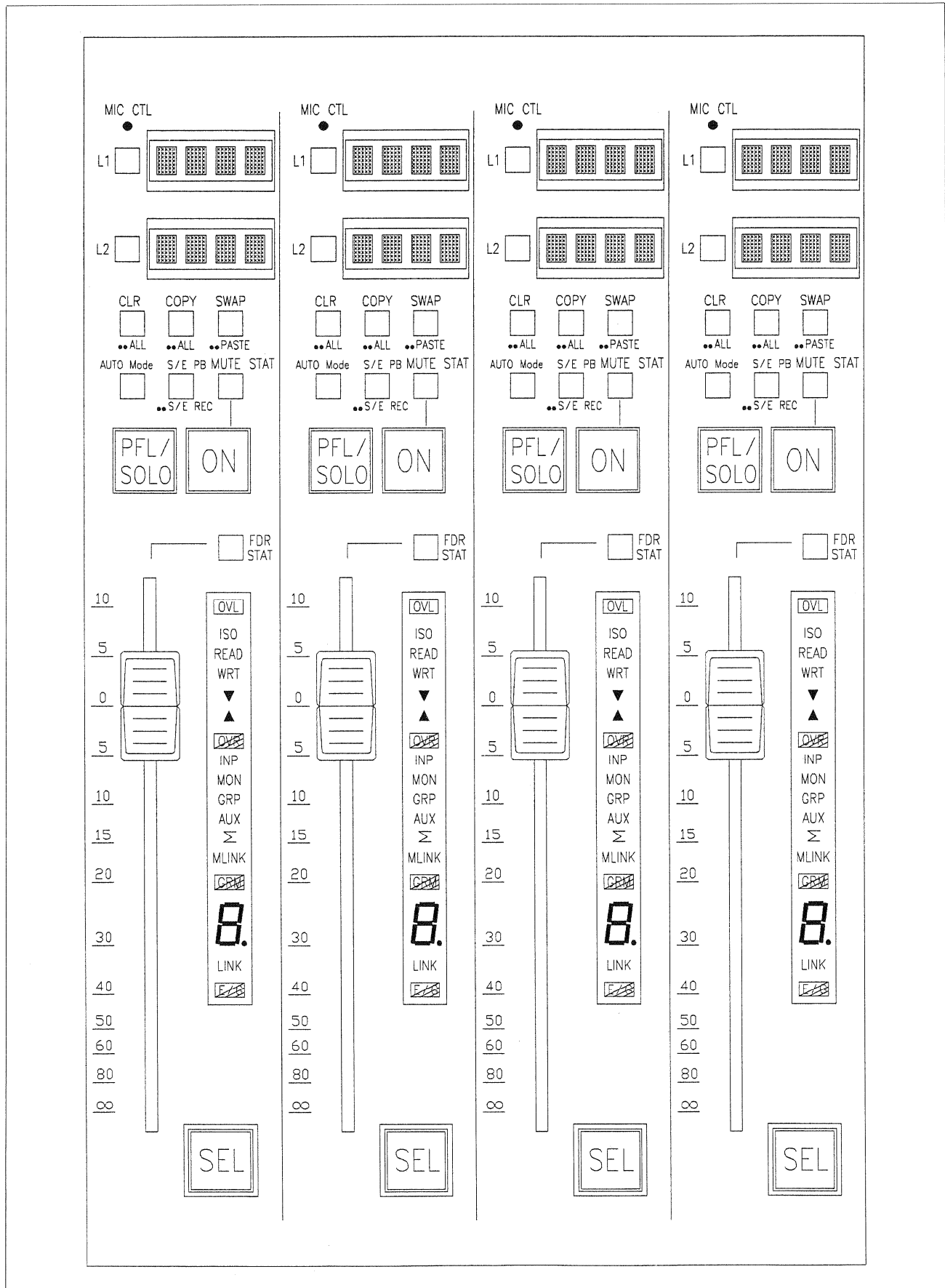
4CH Fader Unit

1.950.705.00



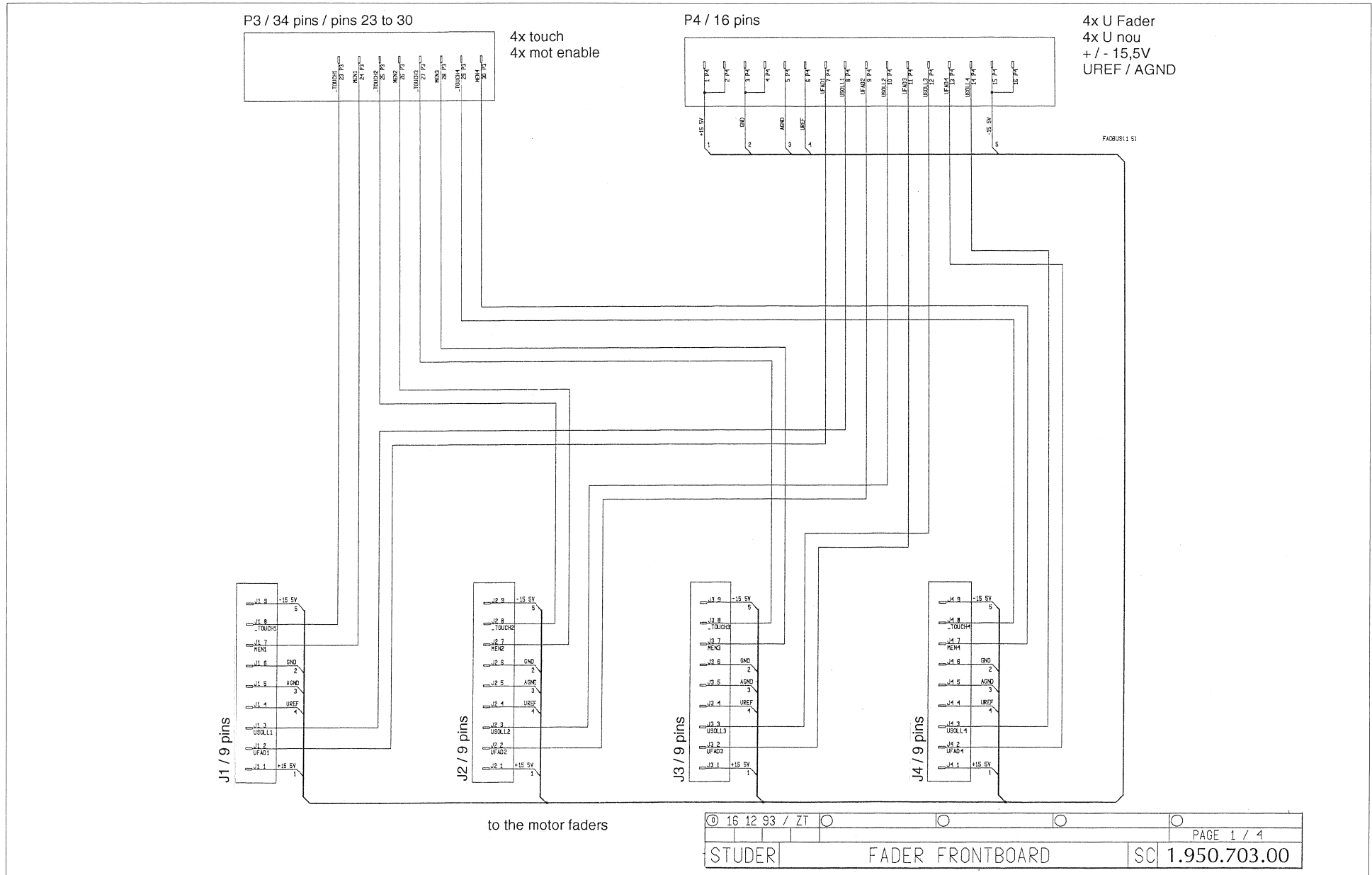
SC: Schema Circuit Diagram
BP: Bestückungsplan PCB Layout
PL: Positionsliste Positional List

4CH Fader Unit 1.950.705.00



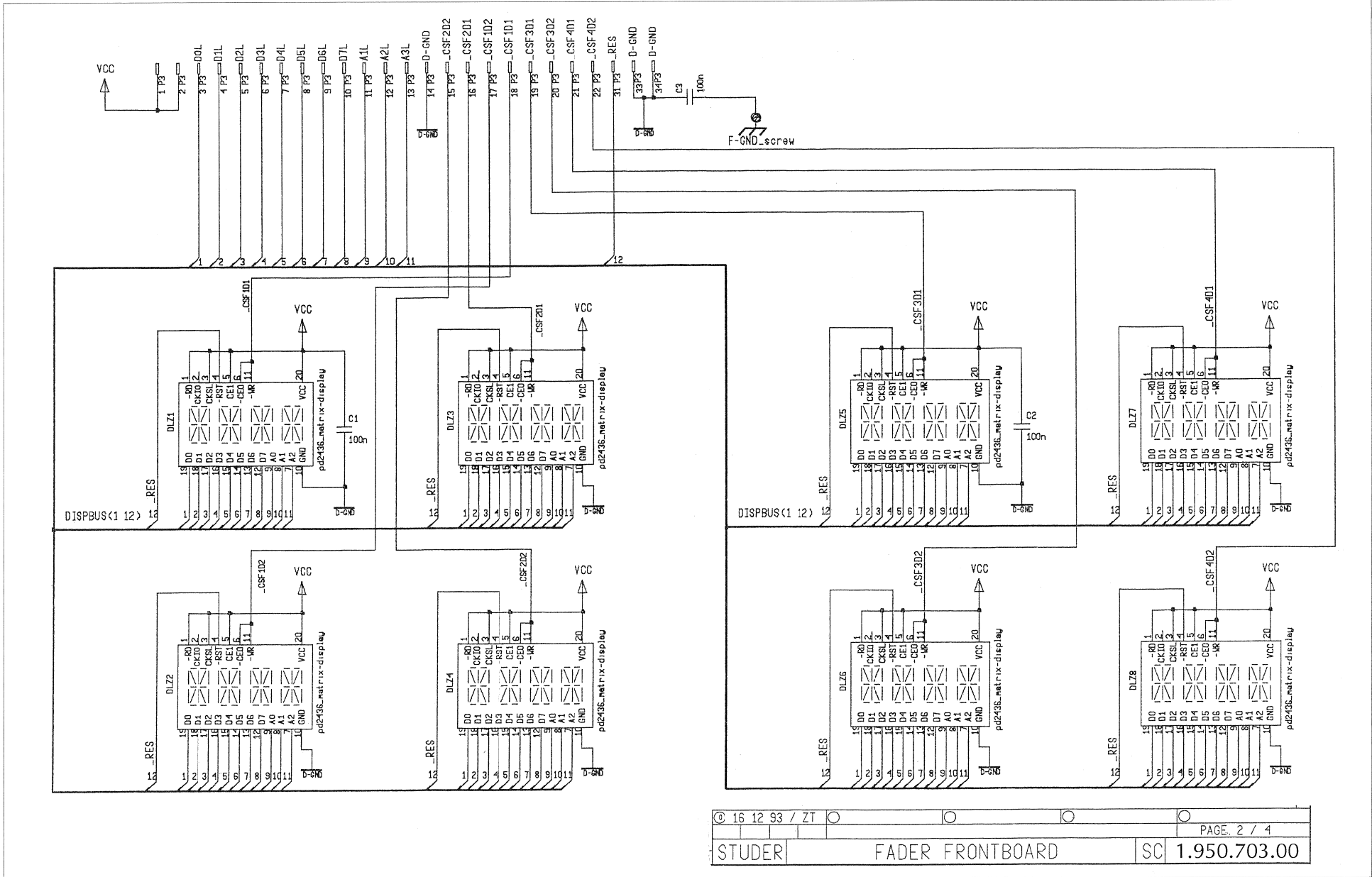


Fader Front Board 1.950.703.00



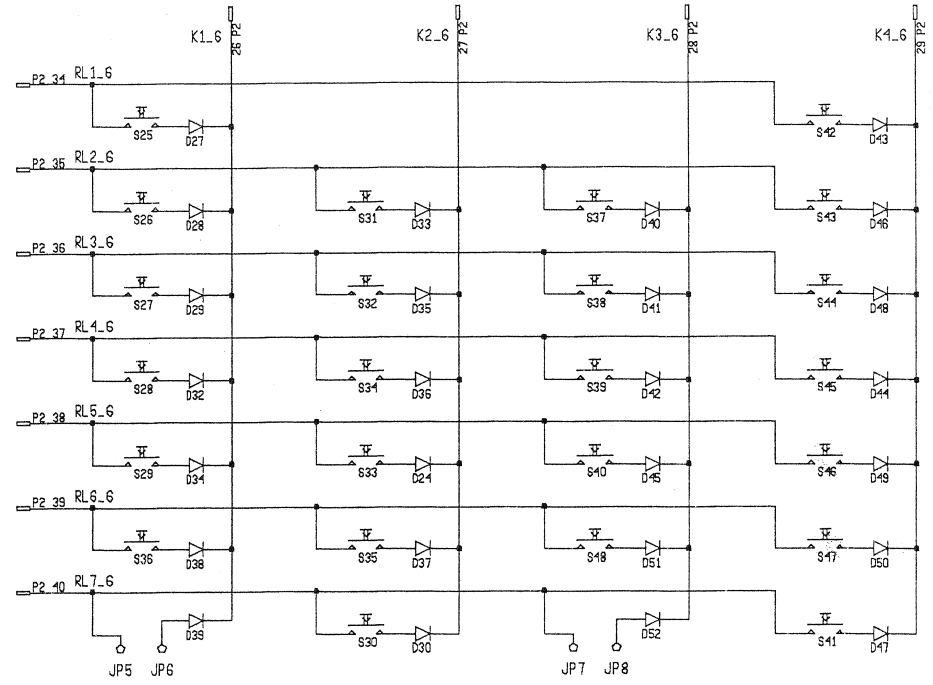
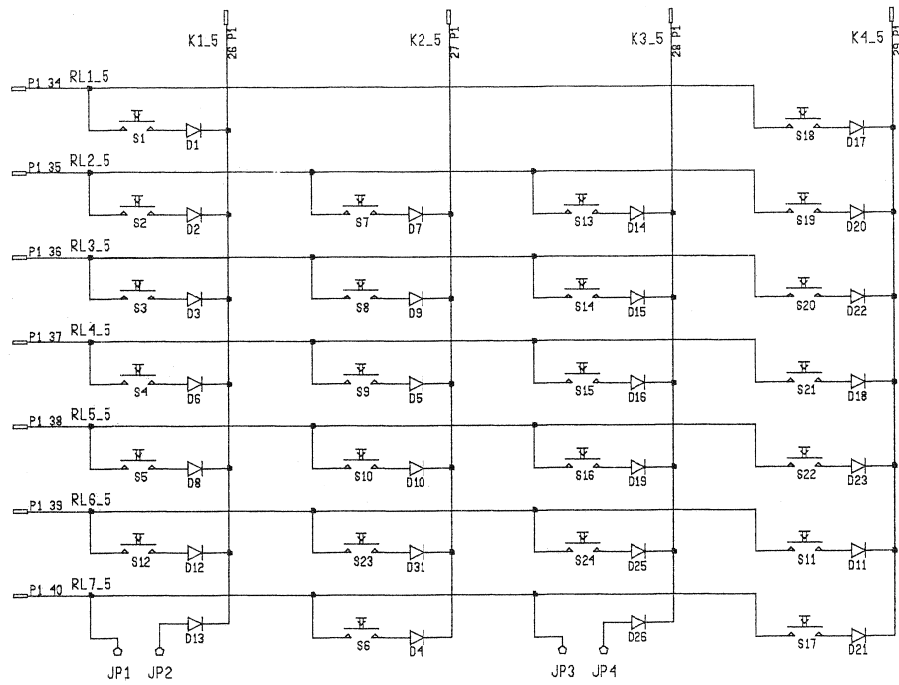


Fader Front Board 1.950.703.00



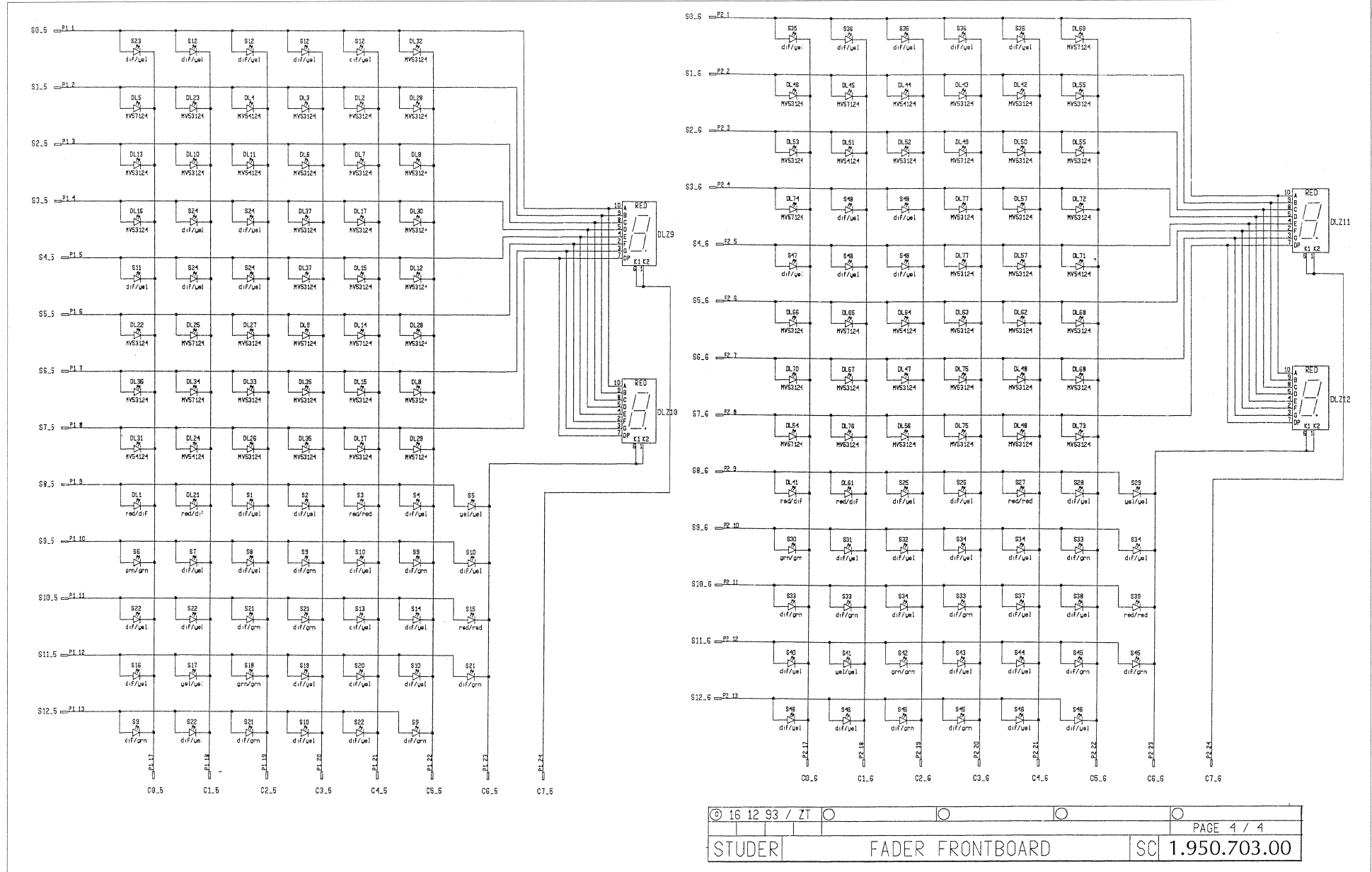


Fader Front Board 1.950.703.00





Fader Front Board 1.950.703.00

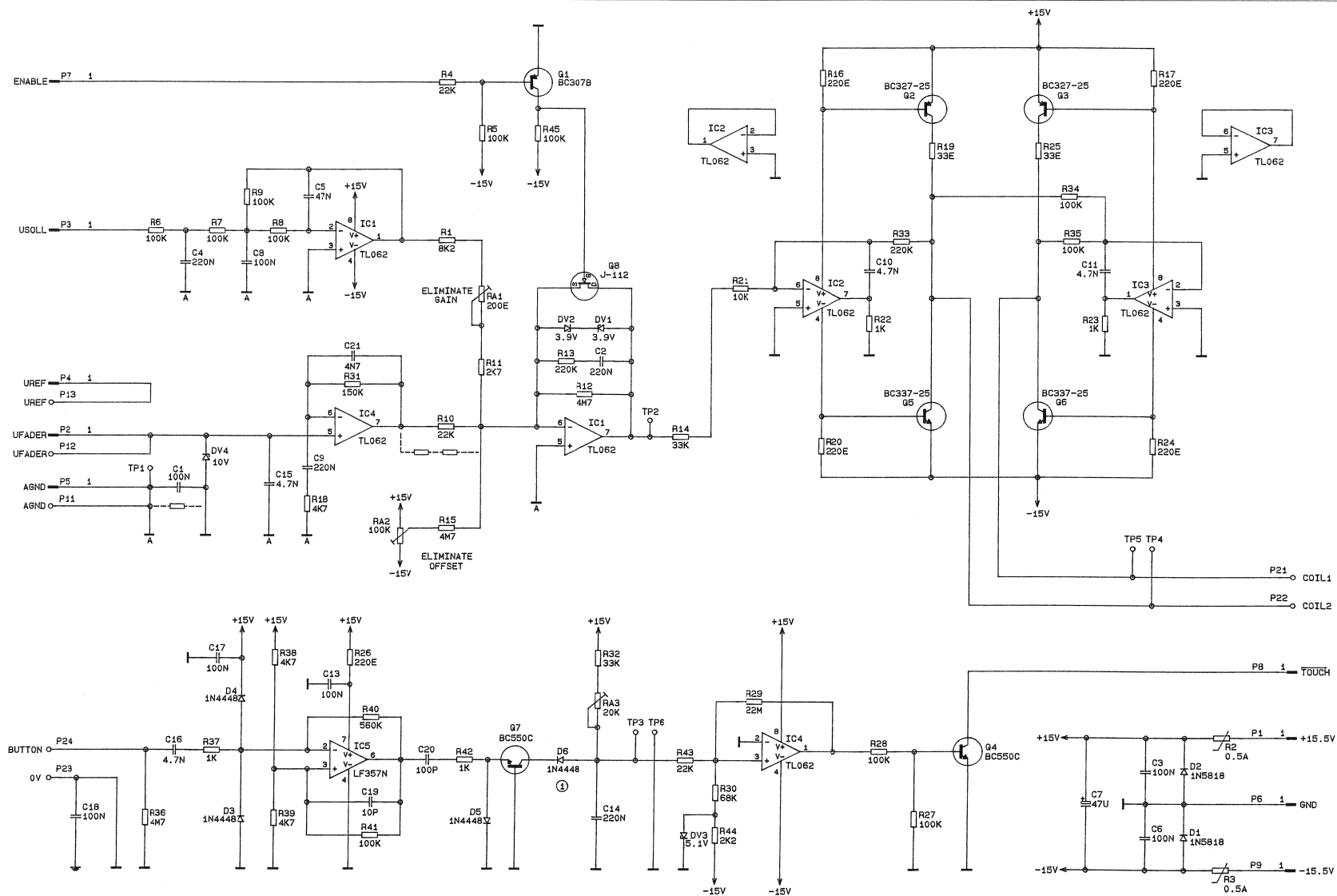




Fader Front Board 1.950.703.00

Idx.	Pos.	Part No.	Qty.	Type/Val.	Description	Idx.	Pos.	Part No.	Qty.	Type/Val.	Description	Idx.	Pos.	Part No.	Qty.	Type/Val.	Description
0	C 1	59.06.0104	100n		PETP, 63V, 10%, RMS	0	DL 35	50.04.2707		DL	HLMF - 0800	RT/IGN	G	S 10	55.15.0704	1'a	S TASTE 1'A, 12MM, GB/TRANS
0	C 2	59.06.0104	100n		PETP, 63V, 10%, RMS	0	DL 36	50.04.2118		MV53124A	DL MV 53124 A, GB	0	S 11	55.15.0804	1'a	S TASTE 1'A, 5MM, GB/TRANS	
0	C 3	59.06.0104	100n		PETP, 63V, 10%, RMS	0	DL 37	50.04.2707		DL	HLMF - 0800	RT/IGN	0	S 12	55.15.0704	1'a	S TASTE 1'A, 12MM, GB/TRANS
0	D 1	50.04.0125	1N4448	75V, 150mA, 4ns, DO-35		0	DL 41	50.04.2121		TLUR 2401	DL TLUR 2401 RT MATT	0	S 13	55.15.0804	1'a	S TASTE 1'A, 5MM, GB/TRANS	
0	D 2	50.04.0125	1N4448	75V, 150mA, 4ns, DO-35		0	DL 42	50.04.2119		MV57124A	DL MV 57124 A, RT	0	S 14	55.15.0805	1'a	S TASTE 1'A, 5MM, GN/TRANS	
0	D 3	50.04.0125	1N4448	75V, 150mA, 4ns, DO-35		0	DL 43	50.04.2118		MV53124A	DL MV 53124 A, GB	0	S 15	55.15.0822	1'a	S TASTE 1'A, 5MM, RT/RT	
0	D 4	50.04.0125	1N4448	75V, 150mA, 4ns, DO-35		0	DL 44	50.04.2146		MV54124A	DL MV 54124 A, GN	0	S 16	55.15.0804	1'a	S TASTE 1'A, 5MM, GB/TRANS	
0	D 5	50.04.0125	1N4448	75V, 150mA, 4ns, DO-35		0	DL 45	50.04.2119		MV57124A	DL MV 57124 A, RT	0	S 17	55.15.0844	1'a	S TASTE 1'A, 5MM, GB/GB	
0	D 6	50.04.0125	1N4448	75V, 150mA, 4ns, DO-35		0	DL 46	50.04.2118		MV53124A	DL MV 53124 A, GB	0	S 18	55.15.0802	1'a	S TASTE 1'A, 5MM, RT/TRANS	
0	D 7	50.04.0125	1N4448	75V, 150mA, 4ns, DO-35		0	DL 47	50.04.2118		MV53124A	DL MV 53124 A, GB	0	S 19	55.15.0802	1'a	S TASTE 1'A, 5MM, RT/TRANS	
0	D 8	50.04.0125	1N4448	75V, 150mA, 4ns, DO-35		0	DL 48	50.04.2707		DL	HLMF - 0800	RT/IGN	0	S 20	55.15.0802	1'a	S TASTE 1'A, 5MM, RT/TRANS
0	D 9	50.04.0125	1N4448	75V, 150mA, 4ns, DO-35		0	DL 49	50.04.2119		MV57124A	DL MV 57124 A, RT	0	S 21	55.15.0705	1'a	S TASTE 1'A, 12MM, GN/TRANS	
0	D 10	50.04.0125	1N4448	75V, 150mA, 4ns, DO-35		0	DL 50	50.04.2118		MV53124A	DL MV 53124 A, GB	0	S 22	55.15.0704	1'a	S TASTE 1'A, 12MM, GB/TRANS	
0	D 11	50.04.0125	1N4448	75V, 150mA, 4ns, DO-35		0	DL 51	50.04.2146		MV54124A	DL MV 54124 A, GN	0	S 23	55.15.0804	1'a	S TASTE 1'A, 5MM, GB/TRANS	
0	D 12	50.04.0125	1N4448	75V, 150mA, 4ns, DO-35		0	DL 52	50.04.2118		MV53124A	DL MV 53124 A, GB	0	S 24	55.15.0704	1'a	S TASTE 1'A, 12MM, GB/TRANS	
0	D 13	50.04.0125	1N4448	75V, 150mA, 4ns, DO-35		0	DL 53	50.04.2119		MV57124A	DL MV 57124 A, RT	0	S 25	55.15.0804	1'a	S TASTE 1'A, 5MM, GB/TRANS	
0	D 14	50.04.0125	1N4448	75V, 150mA, 4ns, DO-35		0	DL 54	50.04.2119		MV57124A	DL MV 57124 A, RT	0	S 26	55.15.0605	1'a	S TASTE 1'A, 5MM, GN/TRANS	
0	D 15	50.04.0125	1N4448	75V, 150mA, 4ns, DO-35		0	DL 55	50.04.2707		DL	HLMF - 0800	RT/IGN	0	S 27	55.15.0822	1'a	S TASTE 1'A, 5MM, RT/RT
0	D 16	50.04.0125	1N4448	75V, 150mA, 4ns, DO-35		0	DL 56	50.04.2118		MV53124A	DL MV 53124 A, GB	0	S 28	55.15.0804	1'a	S TASTE 1'A, 5MM, GB/TRANS	
0	D 17	50.04.0125	1N4448	75V, 150mA, 4ns, DO-35		0	DL 57	50.04.2707		DL	HLMF - 0800	RT/IGN	0	S 29	55.15.0844	1'a	S TASTE 1'A, 5MM, GB/GB
0	D 18	50.04.0125	1N4448	75V, 150mA, 4ns, DO-35		0	DL 61	50.04.2121		TLUR 2401	DL TLUR 2401 RT MATT	0	S 30	55.15.0802	1'a	S TASTE 1'A, 5MM, RT/TRANS	
0	D 19	50.04.0125	1N4448	75V, 150mA, 4ns, DO-35		0	DL 62	50.04.2119		MV57124A	DL MV 57124 A, RT	0	S 31	55.15.0802	1'a	S TASTE 1'A, 5MM, RT/TRANS	
0	D 20	50.04.0125	1N4448	75V, 150mA, 4ns, DO-35		0	DL 63	50.04.2118		MV53124A	DL MV 53124 A, GB	0	S 32	55.15.0802	1'a	S TASTE 1'A, 5MM, RT/TRANS	
0	D 21	50.04.0125	1N4448	75V, 150mA, 4ns, DO-35		0	DL 64	50.04.2146		MV54124A	DL MV 54124 A, GN	0	S 33	55.15.0705	1'a	S TASTE 1'A, 12MM, GN/TRANS	
0	D 22	50.04.0125	1N4448	75V, 150mA, 4ns, DO-35		0	DL 65	50.04.2119		MV57124A	DL MV 57124 A, RT	0	S 34	55.15.0704	1'a	S TASTE 1'A, 12MM, GB/TRANS	
0	D 23	50.04.0125	1N4448	75V, 150mA, 4ns, DO-35		0	DL 66	50.04.2118		MV53124A	DL MV 53124 A, GB	0	S 35	55.15.0604	1'a	S TASTE 1'A, 5MM, GB/TRANS	
0	D 24	50.04.0125	1N4448	75V, 150mA, 4ns, DO-35		0	DL 67	50.04.2118		MV53124A	DL MV 53124 A, GB	0	S 36	55.15.0704	1'a	S TASTE 1'A, 12MM, GB/TRANS	
0	D 25	50.04.0125	1N4448	75V, 150mA, 4ns, DO-35		0	DL 68	50.04.2707		DL	HLMF - 0800	RT/IGN	0	S 37	55.15.0844	1'a	S TASTE 1'A, 5MM, GB/TRANS
0	D 26	50.04.0125	1N4448	75V, 150mA, 4ns, DO-35		0	DL 69	50.04.2119		MV57124A	DL MV 57124 A, RT	0	S 38	55.15.0805	1'a	S TASTE 1'A, 5MM, GN/TRANS	
0	D 28	50.04.0125	1N4448	75V, 150mA, 4ns, DO-35		0	DL 70	50.04.2118		MV53124A	DL MV 53124 A, GB	0	S 39	55.15.0822	1'a	S TASTE 1'A, 5MM, RT/RT	
0	D 29	50.04.0125	1N4448	75V, 150mA, 4ns, DO-35		0	DL 71	50.04.2146		MV54124A	DL MV 54124 A, GN	0	S 40	55.15.0804	1'a	S TASTE 1'A, 5MM, GB/TRANS	
0	D 30	50.04.0125	1N4448	75V, 150mA, 4ns, DO-35		0	DL 72	50.04.2119		MV53124A	DL MV 53124 A, GB	0	S 41	55.15.0844	1'a	S TASTE 1'A, 5MM, GB/GB	
0	D 31	50.04.0125	1N4448	75V, 150mA, 4ns, DO-35		0	DL 73	50.04.2118		MV57124A	DL MV 57124 A, RT	0	S 42	55.15.0602	1'a	S TASTE 1'A, 5MM, RT/TRANS	
0	D 32	50.04.0125	1N4448	75V, 150mA, 4ns, DO-35		0	DL 74	50.04.2119		MV57124A	DL MV 57124 A, RT	0	S 43	55.15.0602	1'a	S TASTE 1'A, 5MM, RT/TRANS	
0	D 33	50.04.0125	1N4448	75V, 150mA, 4ns, DO-35		0	DL 75	50.04.2707		DL	HLMF - 0800	RT/IGN	0	S 44	55.15.0602	1'a	S TASTE 1'A, 5MM, RT/TRANS
0	D 34	50.04.0125	1N4448	75V, 150mA, 4ns, DO-35		0	DL 76	50.04.2118		MV53124A	DL MV 53124 A, GB	0	S 45	55.15.0705	1'a	S TASTE 1'A, 12MM, GN/TRANS	
0	D 35	50.04.0125	1N4448	75V, 150mA, 4ns, DO-35		0	DL 77	50.04.2707		DL	HLMF - 0800	RT/IGN	0	S 46	55.15.0704	1'a	S TASTE 1'A, 5MM, GB/TRANS
0	D 36	50.04.0125	1N4448	75V, 150mA, 4ns, DO-35		0	DL 78	50.04.2118		MV53124A	DL MV 53124 A, GB	0	S 47	55.15.0804	1'a	S TASTE 1'A, 5MM, GB/TRANS	
0	D 37	50.04.0125	1N4448	75V, 150mA, 4ns, DO-35		0	DL 79	50.04.2119		MV57124A	DL MV 57124 A, RT	0	S 48	55.15.0704	1'a	S TASTE 1'A, 12MM, GB/TRANS	
0	D 38	50.04.0125	1N4448	75V, 150mA, 4ns, DO-35		0	DL 2	73.01.0405	4digit	57 Dot matrix display		0	S 49	55.15.0704	1'a	S TASTE 1'A, 12MM, GB/TRANS	
0	D 39	50.04.0125	1N4448	75V, 150mA, 4ns, DO-35		0	DL 2	73.01.0405	4digit	57 Dot matrix display							
0	D 40	50.04.0125	1N4448	75V, 150mA, 4ns, DO-35		0	DL 2	73.01.0405	4digit	57 Dot matrix display							
0	D 41	50.04.0125	1N4448	75V, 150mA, 4ns, DO-35		0	DL 2	73.01.0405	4digit	57 Dot matrix display							
0	D 42	50.04.0125	1N4448	75V, 150mA, 4ns, DO-35		0	DL 2	73.01.0405	4digit	57 Dot matrix display							
0	D 43	50.04.0125	1N4448	75V, 150mA, 4ns, DO-35		0	DL 2	73.01.0405	4digit	57 Dot matrix display							
0	D 44	50.04.0125	1N4448	75V, 150mA, 4ns, DO-35		0	DL 2	73.01.0405	4digit	57 Dot matrix display							
0	D 45	50.04.0125	1N4448	75V, 150mA, 4ns, DO-35		0	DL 2	73.01.0405	4digit	57 Dot matrix display							
0	D 46	50.04.0125	1N4448	75V, 150mA, 4ns, DO-35		0	DL 2	73.01.0405	4digit	57 Dot matrix display							
0	D 47	50.04.0125	1N4448	75V, 150mA, 4ns, DO-35		0	DL 2	73.01.0405	4digit	57 Dot matrix display							
0	D 48	50.04.0125	1N4448	75V, 150mA, 4ns, DO-35		0	DL 2	73.01.0405	4digit	57 Dot matrix display							
0	D 49	50.04.0125	1N4448	75V, 150mA, 4ns, DO-35		0	DL 2	73.01.0405	4digit	57 Dot matrix display							
0	D 50	50.04.0125	1N4448	75V, 150mA, 4ns, DO-35		0	DL 2	73.01.0405	4digit	57 Dot matrix display							
0	D 51	50.04.0125	1N4448	75V, 150mA, 4ns, DO-35		0	DL 2	73.01.0405	4digit	57 Dot matrix display							
0	D 52	50.04.0125	1N4448	75V, 150mA, 4ns, DO-35		0	DL 2	73.01.0405	4digit	57 Dot matrix display							
0	DL 1	50.04.2121	TLUR 2401	DL TLUR 2401 RT MATT		0	MP 1	1.940.701.12 1 mp		FADER FRONT PCB /H							
0	DL 2	50.04.2119	MV57124A	DL MV 57124 A, RT		0	MP 2	1.950.703.04 1 mp		NR. ETIKETTE 5 * 20							
0	DL 3	50.04.2118	MV53124A	DL MV 53124 A, GB		0	MP 3	43.01.0108 1 mp	Label	ESE-WARNSCHILD							
0	DL 4	50.04.2146	MV54124A	DL MV 54124 A, GN		0	MP 4	53.03.0218 304 m 1p		single-in-line							
0	DL 5	50.04.2119	MV57124A	DL MV 57124 A, RT		0	MP 5	53.03.0240 4 mp		XLED SINGLE LINE, 2 POL. PRINT							
0	DL 6	50.04.2118	MV53124A	DL MV 53124 A, GB		0	MP 6	1.990.119.01 4 mp		DISPLAY-UNTERLAGE							
0	DL 7	50.04.2118	MV53124A	DL MV 53124 A, GB		0	MP 7	1.990.100.25 4 mp		TASTENSCHILD PFLUSOLO							
0	DL 8	50.04.2707	DL HLMF - 0800 RT/IGN			0	MP 8	1.990.100.22 4 mp		TASTENSCHILD SEL							
0	DL 9	50.04.2119	MV57124A	DL MV 57124 A, RT		0	MP 9	1.990.100.27 4 mp		TASTENSCHILD ON							

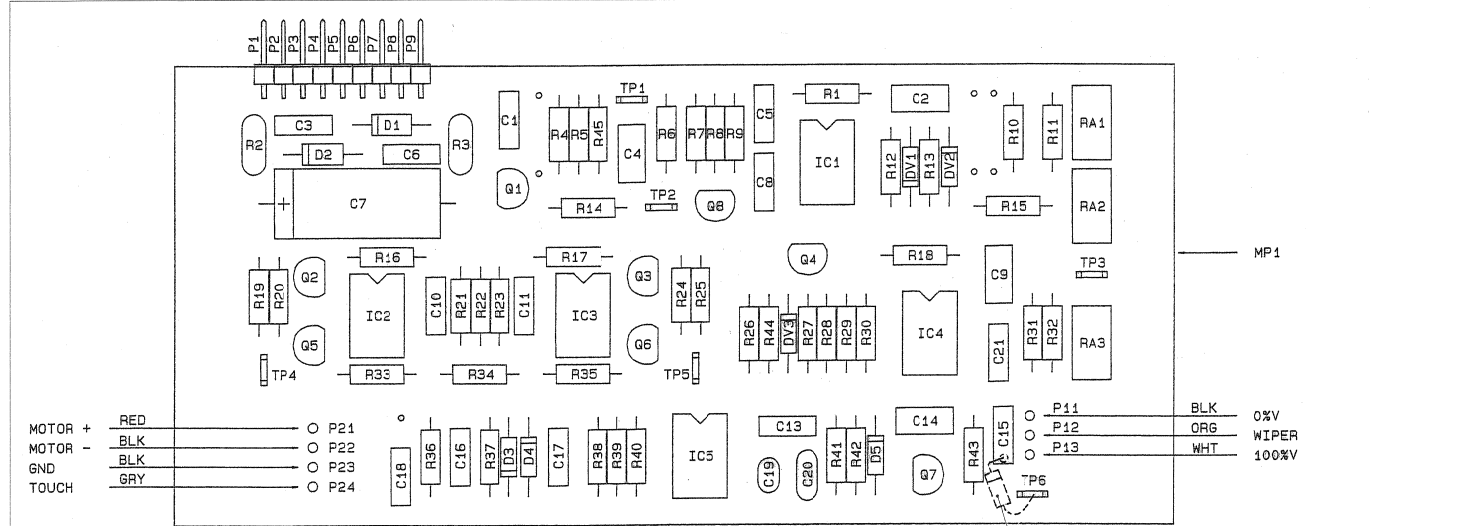
Motor Driver/Touch Board 1.940.704.81



① 23.01.98 FRI/GP	② 11.08.99 GP		
STUDER			MOTOR DRIVER/TOUCH BOARD
			SC1.940.704.81
			PAGE 1 OF 1



Motor Driver/Touch Board 1.940.704.81



Idx.	Pos.	Part No.	Qty.	Type/Val.	Description
0	P 6	54.11.0125	1p		P STIFT,WINKEL 1 PIN=1 STK.
0	P 7	54.11.0125	1p		P STIFT,WINKEL 1 PIN=1 STK.
0	P 8	54.11.0125	1p		P STIFT,WINKEL 1 PIN=1 STK.
0	P 9	54.11.0125	1p		P STIFT,WINKEL 1 PIN=1 STK.
0	P 11	not used	1p		P STIFT,WINKEL 1 PIN=1 STK.
0	P 12	not used	1p		P STIFT,WINKEL 1 PIN=1 STK.
0	P 13	not used	1p		P STIFT,WINKEL 1 PIN=1 STK.
0	P 21	not used	1p		P STIFT,WINKEL 1 PIN=1 STK.
0	P 22	not used	1p		P STIFT,WINKEL 1 PIN=1 STK.
0	P 23	not used	1p		P STIFT,WINKEL 1 PIN=1 STK.
0	P 24	not used	1p		P STIFT,WINKEL 1 PIN=1 STK.
0	Q 1	50.03.0515	BC307B		BC 307 B ,BC 557 B ,PNP
0	Q 2	50.03.0351	BC327-25		PNP, 800mA
0	Q 3	50.03.0351	BC327-25		PNP, 800mA
0	Q 4	50.03.0407	BC550C		BC 550 C
0	Q 5	50.43.0340			Q BC 337-25,
0	Q 6	50.43.0340			Q BC 337-25,
0	Q 7	50.03.0407	BC550C		BC 550 C
0	Q 8	50.03.0350	J-112		J-112
0	R 1	57.11.3822	8k2		MF, 1%, 0207
0	R 2	57.92.7012	0.3A		POLY- PTC, 60V
0	R 3	57.92.7012	0.3A		POLY- PTC, 60V
0	R 4	57.11.3223	22k		MF, 1%, 0207
0	R 5	57.11.3104	100k		MF, 1%, 0207
0	R 6	57.11.3104	100k		MF, 1%, 0207
0	R 7	57.11.3104	100k		MF, 1%, 0207
0	R 8	57.11.3104	100k		MF, 1%, 0207
0	R 9	57.11.3104	100k		MF, 1%, 0207
0	R 10	57.11.3223	22k		MF, 1%, 0207
0	R 11	57.11.3272	2k7		MF, 1%, 0207
0	R 12	57.11.5475	4M7		MF, 5%, 0207
0	R 13	57.11.3474	470k		MF, 1%, 0207
0	R 14	57.11.3333	33k		MF, 1%, 0207
0	R 15	57.11.5475	4M7		MF, 5%, 0207
0	R 16	57.11.3221	220R		MF, 1%, 0207
0	R 17	57.11.3221	220R		MF, 1%, 0207
0	R 18	57.11.3103	10k		MF, 1%, 0207
0	R 19	57.19.0330	33R		5%, 0207, Fuse
0	R 20	57.11.3221	220R		MF, 1%, 0207
0	R 21	57.11.3103	10k		MF, 1%, 0207
0	R 22	57.11.3102	1k0		MF, 1%, 0207
0	R 23	57.11.3102	1k0		MF, 1%, 0207
0	R 24	57.11.3221	220R		MF, 1%, 0207
0	R 25	57.19.0330	33R		5%, 0207, Fuse
0	R 26	57.11.3221	220R		MF, 1%, 0207
0	R 27	57.11.3104	100k		MF, 1%, 0207
0	R 28	57.11.3104	100k		MF, 1%, 0207
0	R 29	57.11.6226	22M		MF, 10%, 0207
0	R 30	57.11.3683	68k		MF, 1%, 0207
0	R 31	57.11.3104	100k		MF, 1%, 0207
0	R 32	57.11.3333	33k		MF, 1%, 0207
0	R 33	57.11.3224	220k		MF, 1%, 0207
0	R 34	57.11.3104	100k		MF, 1%, 0207
0	R 35	57.11.3124	120k		MF, 1%, 0207
0	R 36	57.11.5475	4M7		MF, 5%, 0207
0	R 37	57.11.3102	1k0		MF, 1%, 0207
0	R 38	57.11.3472	4k7		MF, 1%, 0207
0	R 39	57.11.3472	4k7		MF, 1%, 0207
0	R 40	57.11.3564	580k		MF, 1%, 0207
0	R 41	57.11.3104	100k		MF, 1%, 0207
0	R 42	57.11.3102	1k0		MF, 1%, 0207
0	R 43	57.11.3223	22k		MF, 1%, 0207
0	R 44	57.11.3222	2k2		MF, 1%, 0207
0	R 45	57.11.3104	100k		MF, 1%, 0207
0	RA 1	58.01.9201	200R		Cermet, 10%, 0.5W, vertical
0	RA 2	58.01.9104	100k		Cermet, 10%, 0.5W, vertical
0	RA 3	58.01.9203	20k		Cermet, 10%, 0.5W, vertical
0	TP 1	54.02.0320	1p		Flatpin, 2.8*0.8mm
0	TP 2	54.02.0320	1p		Flatpin, 2.8*0.8mm
0	TP 3	54.02.0320	1p		Flatpin, 2.8*0.8mm
0	TP 4	54.02.0320	1p		Flatpin, 2.8*0.8mm
0	TP 5	54.02.0320	1p		Flatpin, 2.8*0.8mm
0	TP 6	54.02.0320	1p		Flatpin, 2.8*0.8mm

Idx.	Pos.	Part No.	Qty.	Type/Val.	Description
0	C 1	59.05.0104	100n		PETP, 63V, 10%, RME
0	C 2	59.05.5473	47n		PETP, 63V, 5%, RME
0	C 3	59.05.0104	100n		PETP, 63V, 10%, RME
0	C 4	59.05.5204	220n		PETP, 63V, 5%, RME
0	C 5	59.05.5473	47n		PETP, 63V, 5%, RME
0	C 6	59.05.0104	100n		PETP, 63V, 10%, RME
0	C 7	59.25.6470	47u		C-EL, 20%, 63V
0	C 8	59.05.0104	100n		PETP, 63V, 10%, RME
0	C 9	59.05.3224	220n		PETP, 63V, 5%, RME
0	C 10	59.05.0472	4n7		PETP, 63V, 10%, RME
0	C 11	59.05.0472	4n7		PETP, 63V, 10%, RME
0	C 13	59.05.0104	100n		PETP, 63V, 10%, RME
0	C 14	59.05.5224	220n		PETP, 63V, 5%, RME
0	C 15	59.05.0472	4n7		PETP, 63V, 10%, RME
0	C 16	59.05.0472	4n7		PETP, 63V, 10%, RME
0	C 17	59.05.0104	100n		PETP, 63V, 10%, RME
0	C 18	59.05.0104	100n		PETP, 63V, 10%, RME
0	C 19	59.34.1100	10p		CER 63V, 5%, NP 0
0	C 20	59.34.2101	100p		CER 63V, 5%, N150
0	C 21	59.05.0472	4n7		PETP, 63V, 10%, RME
0	D 1	50.04.0512	1N5818		D 1N 5818, 1N 5819,
0	D 2	50.04.0512	1N5818		D 1N 5818, 1N 5819,
0	D 3	50.04.0125	1N4448		75V, 150mA, 4ns, DO-35
0	D 4	50.04.0125	1N4448		75V, 150mA, 4ns, DO-35
0	D 5	50.04.0125	1N4448		75V, 150mA, 4ns, DO-35
0	D 6	50.04.0125	1N4448		75V, 150mA, 4ns, DO-35
0	DV 1	50.04.1101	3V6		Zener, 5%, 0.5W, DO-35
0	DV 2	50.04.1101	3V6		Zener, 5%, 0.5W, DO-35
0	DV 3	50.04.1112	5V1		Zener, 5%, 0.5W, DO-35
0	DV 4	50.04.1114	10V		Zener, 5%, 0.5W, DO-35
0	IC 1	50.09.0119	TL062		IC TL 062 ACP A
0	IC 2	50.09.0119	TL062		IC TL 062 ACP A
0	IC 3	50.09.0119	TL062		IC TL 062 ACP A
0	IC 4	50.09.0119	TL062		IC TL 062 ACP A
0	IC 5	50.09.0102	LF357N		Op-Amp single, biFET, DIP 8
0	MP 1	1.940.702.12	1 mp		MOTOR DRIVER/TOUCH PCB /A
0	MP 2	1.940.704.34	1 mp		NC-Etikette 67 20
0	MP 3	43.01.0138	1 mp		Label
1	MP 4	28.99.0134	1,8*5		Lotspirale Cu Sn
1	MP 5	43.10.0110	A		Revisions-Etikette 5mm h/biau

11.08.99	PS			
19.02.98	PZ			
IND	DATUM	GEZ.	GEPR.	GES.
BLATT 1 VON 1				

STUDER	MOTOR DRIVER/TOUCH BOARD	BP	1.940.704.81
--------	--------------------------	----	--------------

Motorfader P&G 1.960.044.00

Quick Reference:

Motorfader PGFM3200/-/M/-/AX36VSLIM fitted with MAXON motor
 No. 2515.996.-11.111-000
 Servo track, 104mm stroke

Manufacturer:

Penny & Giles Inc., Blackwood, Gwent, UK

Specification:

P&G Specification No. D460484 Issue 2
 P&G PGFM3000 Series Data Sheet No. P62925/1
 P&G Performance and Application Document No. D460449 Issue 1 (1)
 P&G Maintenance Document RM 42389

Conformance at delivery:

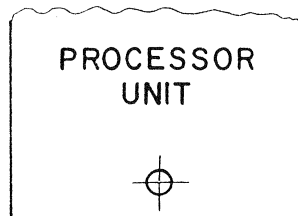
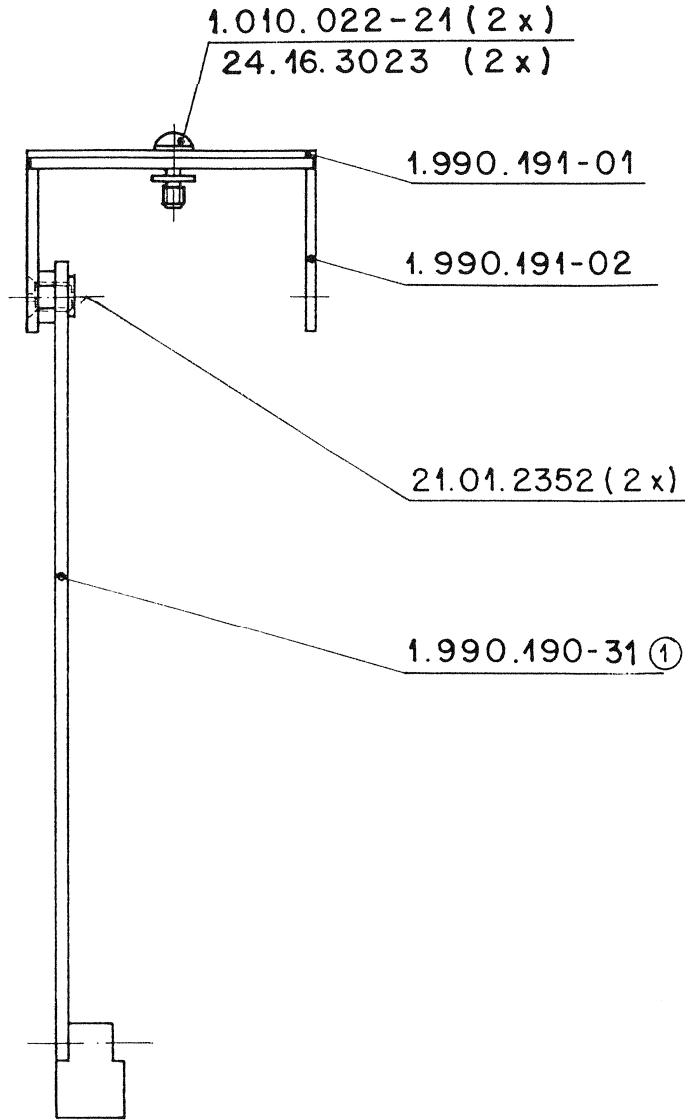
Acceptable Quality Level (AQL) for major defects: AQL 1.0 %.
 A major defect is a parameter out of range of specified tolerance field.
 Sampling procedure according to IEC 410, single sampling plan.
 If supplier is not notified within 20 days after receipt, the shipment is considered to be accepted.
 This procedure has no effect on guarantee conditions of the particular product.

Modification	③
Änderung					②
Date	27.02.97	hm	HM	FL	①
Äusgabe	15.02.96	hm	HM	FL	④
Date		Visa	Geprüft	Seen	Index
		Gez.	Gepr.	Gez.	
Copy to:					
Kopie für:					
Number:	1.960.044.00				

STUDER
 REGENSDORF

Motorfader P&G

Single Processor Unit 1.990.195.00



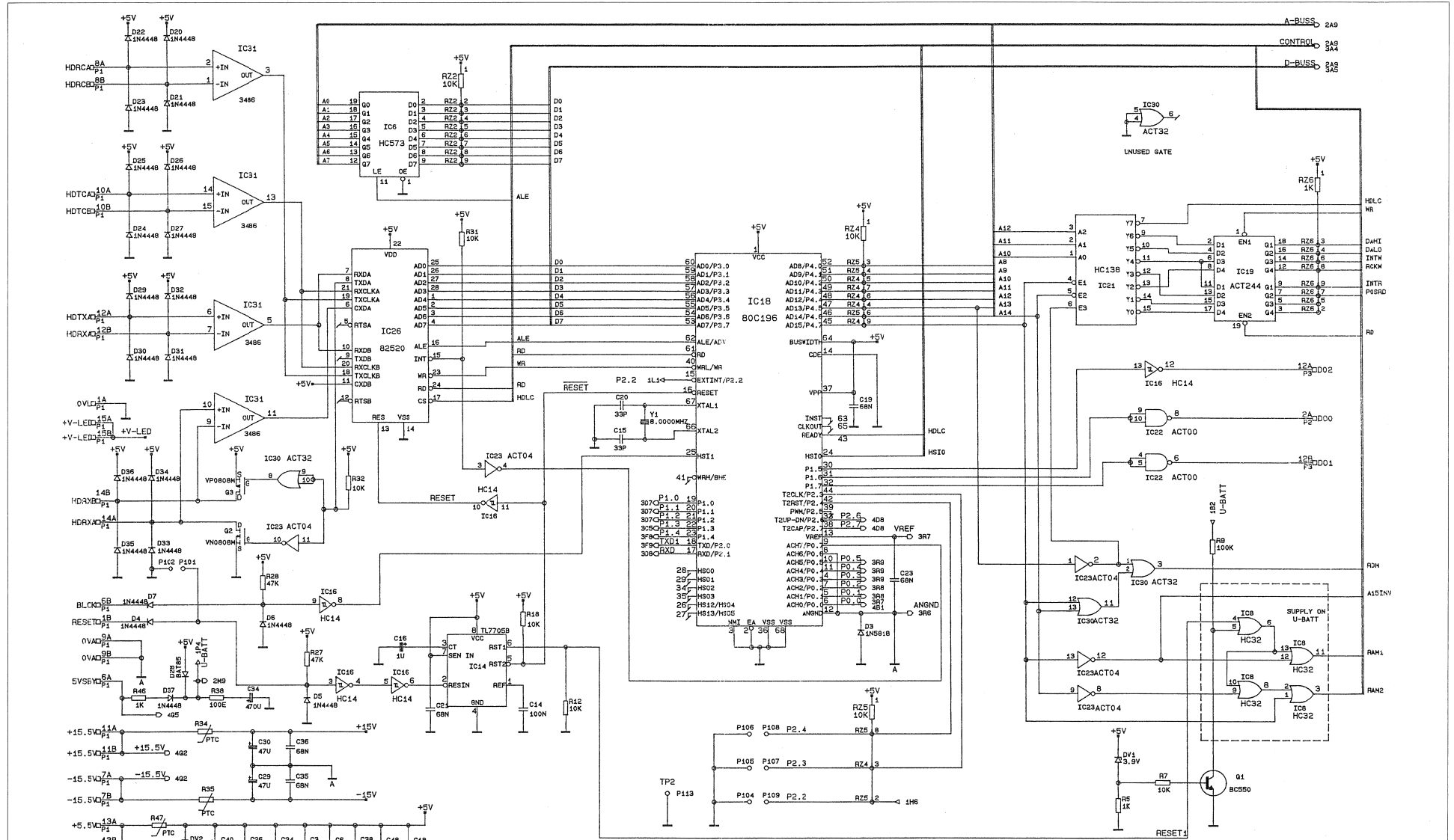
					③
					②
27.7.95	<i>AM</i>	<i>AM</i>	<i>AM</i>		①
4.3.92	<i>A. St.</i>	<i>all</i>	<i>Vf</i>		①
Ausgabe	Datum	Gez.	Gepr.	Ges.	Index

Kopie für:

STUDER REGENSDORF ZÜRICH	Benennung:	Single Processor Unit	Nummer:	1.990.195-00

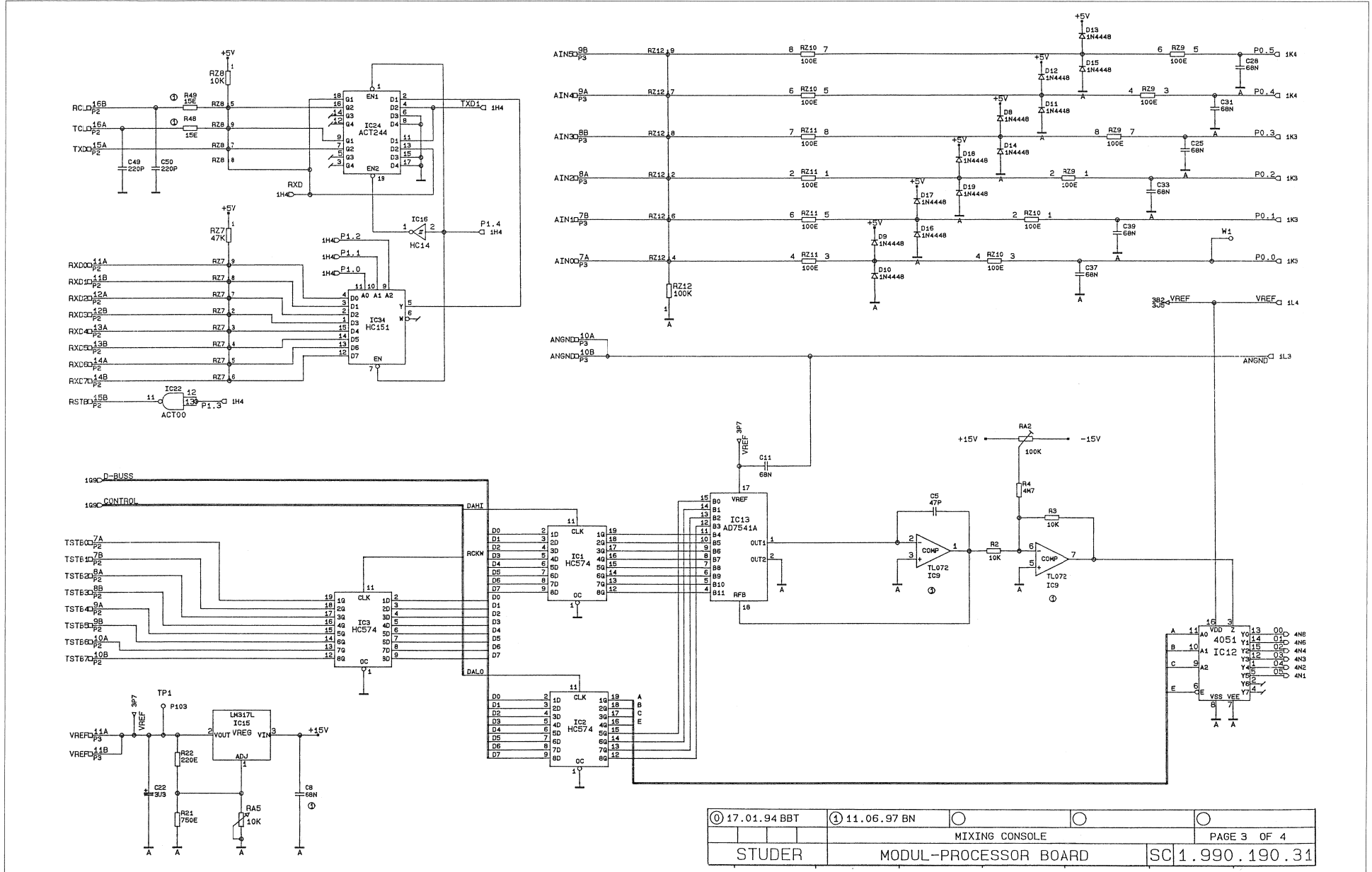


Modul Processor Board 1.990.190.31



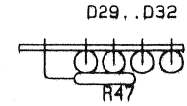
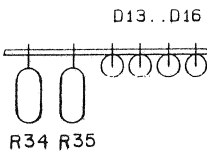
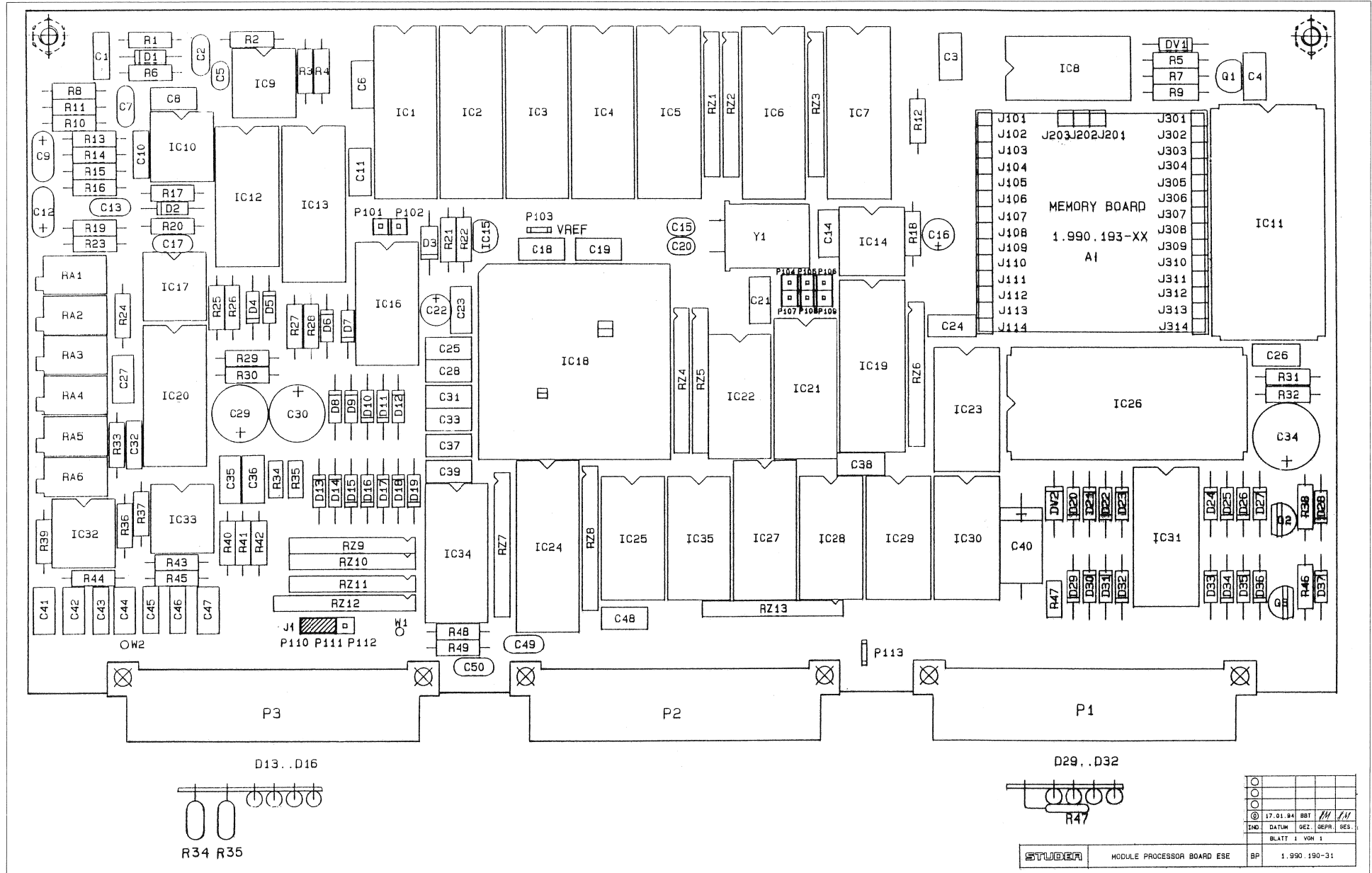
① 17.01.94 BBT	① 11.06.97 BN		
MIXING CONSOLE			
STUDER		MODUL-PROCESSOR BOARD	
			PAGE 1 OF 4
SC 1.990.190.31			

Modul Processor Board 1.990.190.31



① 17.01.94 BBT	① 11.06.97 BN	○	○	○
STUDER			MIXING CONSOLE	
MODUL-PROCESSOR BOARD			PAGE 3 OF 4	
SC 1.990.190.31				

Modul Processor Board 1.990.190.31



○				
○				
○				
⊗	17.01.94	BBT	M	AN
IND	DATUM	SEZ.	SEPR.	RES.
BLATT 1 VON 1				

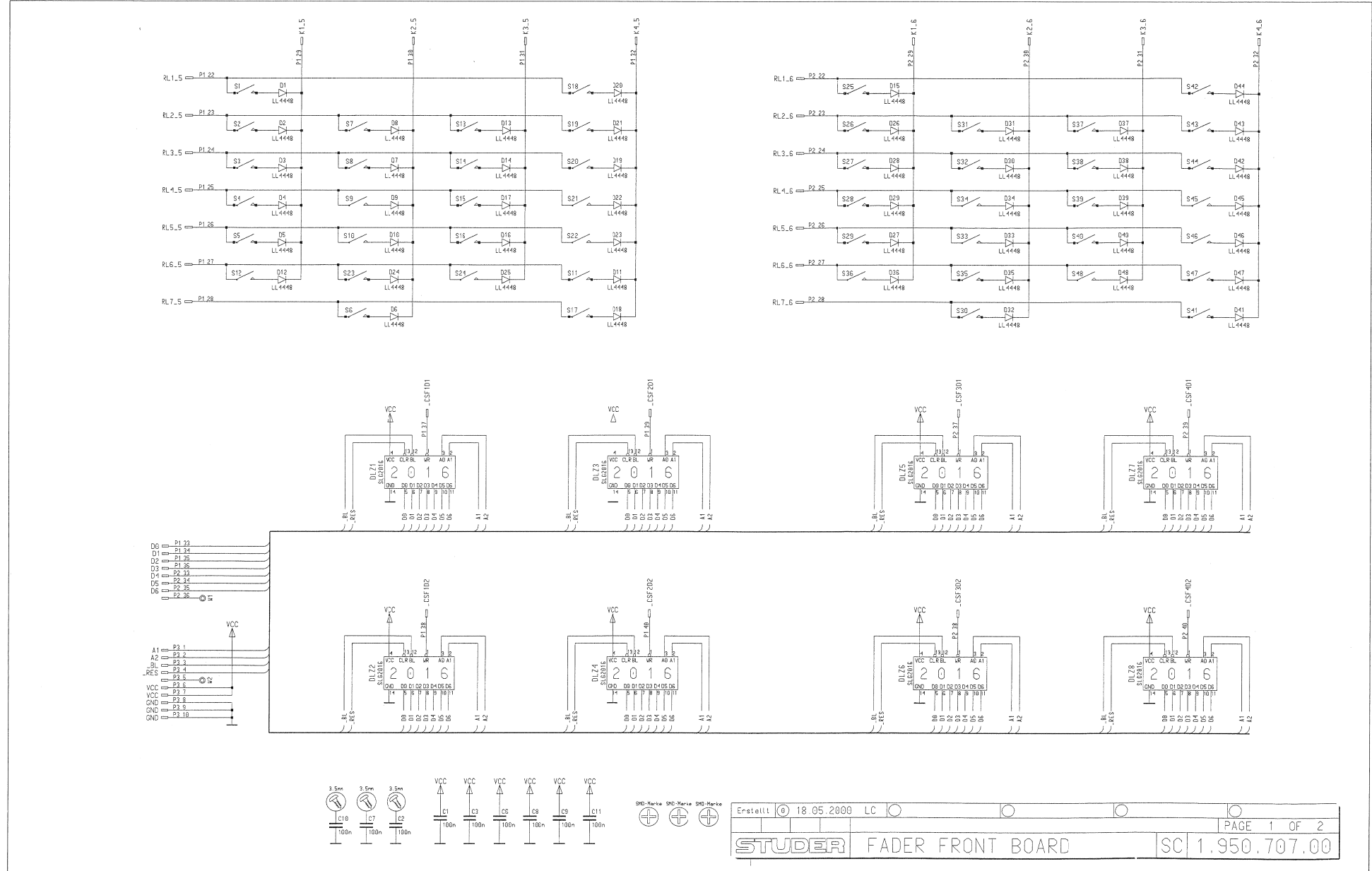
STUDER	MODULE PROCESSOR BOARD ESE	BP	1.990.190-31
--------	----------------------------	----	--------------



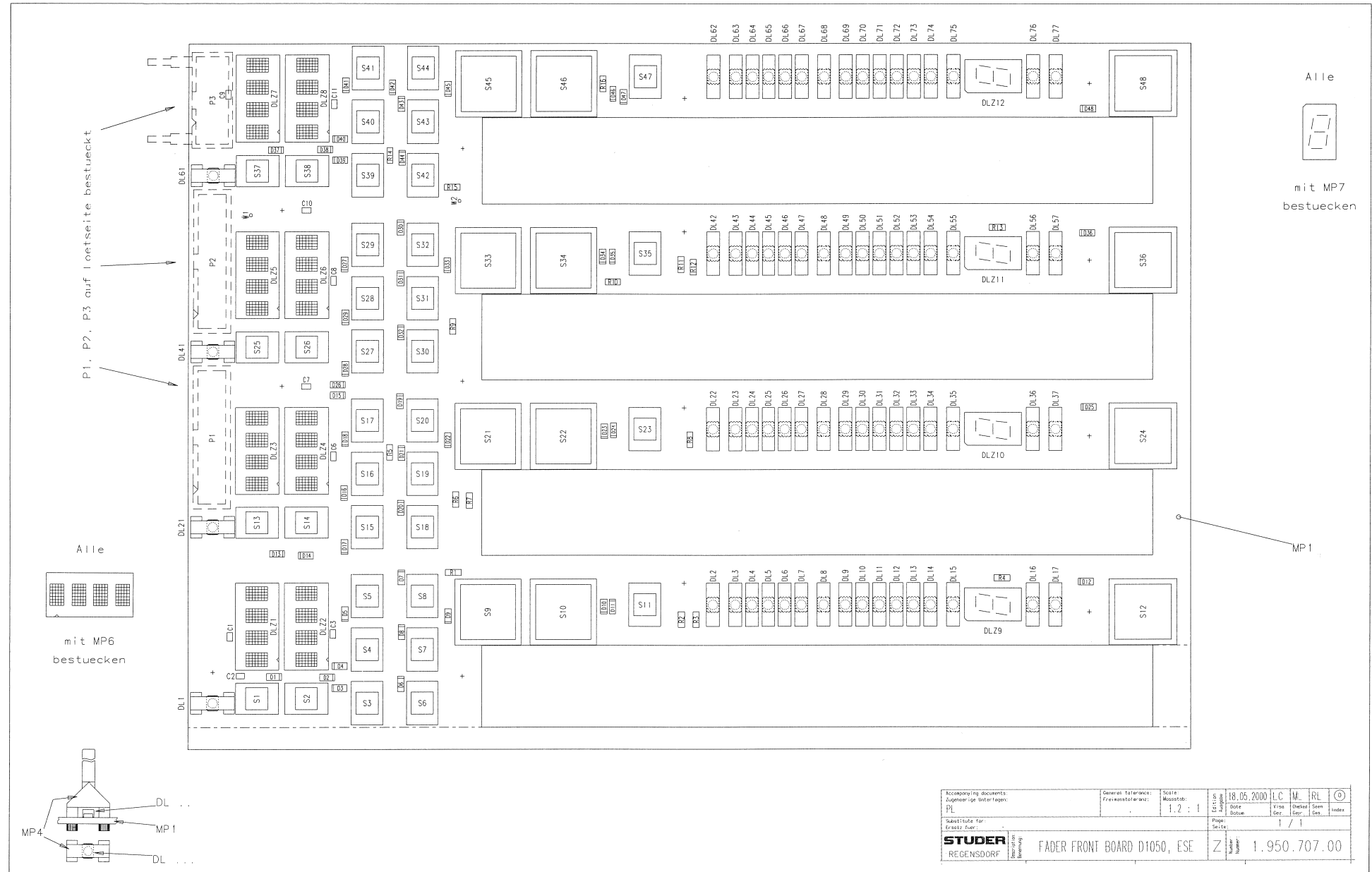
Modul Processor Board 1.990.190.31

Idx.	Pos.	Part No.	Qty.	Type/Val.	Description	Idx.	Pos.	Part No.	Qty.	Type/Val.	Description	Idx.	Pos.	Part No.	Qty.	Type/Val.	Description	Idx.	Pos.	Part No.	Qty.	Type/Val.	Description	
0	A 1	1.990.193.00			MEMORY BOARD	A																		
0	C 1	59.06.0222	2n2		C 2200 P, 10%, 63V, PETP	0	D 36	50.04.0125	1N4448	D	1N 4448, SI	0	P 104	54.01.0020	1-P		P STIFT .63*83, H=5.8/3.4	0	XIC 13	53.03.0175			XIC DIL 16-POL	
0	C 2	59.34.4221	220p		C 220 P, 5%, N750, CER	0	D 37	50.04.0125	1N4448	D	1N 4448, SI	0	P 105	54.01.0020	1-P		P STIFT .63*83, H=5.8/3.4	0	XIC 17	53.03.0166			XIC DIL 8-POL	
0	C 3	59.06.0683	68n		C .068 U, 10%, 63V, PETP	0	DV 1	50.04.1101	6.2V	D	6.2 V, 5%, 0W, ZI	0	P 106	54.01.0020	1-P		P STIFT .63*83, H=5.8/3.4	0	XIC 18	53.03.2268			XIC PLCC 68 PIN	
0	C 4	59.06.0683	68n		C .068 U, 10%, 63V, PETP	0	DV 2	50.04.1101	6.2V	D	6.2 V, 5%, 10W, ZI	0	P 107	54.01.0020	1-P		P STIFT .63*83, H=5.8/3.4	0	XIC 31	53.03.0168			XIC DIL 16-POL	
0	C 5	59.34.2470	47p		C .047 U, 10%, N150, CER	0	IC 1	50.17.1574	74HC574	IC	... 74 HC 574, A	0	P 108	54.01.0020	1-P		P STIFT .63*83, H=5.8/3.4	0	Y 1	89.01.1008	8.0000MHz	Y	8.000 MHz, HC 16U	
0	C 6	59.34.2101	100p		C .100 P, 5%, N150, CER	0	IC 2	50.17.1574	74HC574	IC	... 74 HC 574, A	0	P 109	54.01.0020	1-P		P STIFT .63*83, H=5.8/3.4							
0	C 7	59.34.2101	100p		C .100 P, 5%, N150, CER	0	IC 3	50.17.1574	74HC574	IC	... 74 HC 574, A	0	P 110	54.01.0020	1-P		P STIFT .63*83, H=5.8/3.4							
0	C 8	59.06.0683	68n		C .068 U, 10%, 63V, PETP	0	IC 4	50.17.1573	74HC573	IC	... 74 HC 573, A	0	P 111	54.01.0020	1-P		P STIFT .63*83, H=5.8/3.4							
0	C 9	59.28.2229	2u2		C 2.2 U, 20%, 16V, SAL	0	IC 5	50.17.1573	74HC573	IC	... 74 HC 573, A	0	P 112	54.01.0020	1-P		P STIFT .63*83, H=5.8/3.4							
0	C 10	59.06.0222	2n2		C 2200 P, 10%, 63V, PETP	0	IC 6	50.17.1573	74HC573	IC	... 74 HC 573, A	0	Q 1	50.03.0407	BC550C	Q BC 550 C,								
0	C 11	59.06.0683	68n		C .068 U, 10%, 63V, PETP	0	IC 7	50.17.1573	74HC573	IC	... 74 HC 573, A	0	Q 2	50.03.1505	VN0308M	Q VN 0308 M, ZVN 0108 A, A								
0	C 12	59.28.2229	2u2		C 2.2 U, 20%, 16V, SAL	0	IC 8	50.17.1032	74HC572	IC	... 74 HC 572, A	0	Q 3	50.03.1554	VP0808M	Q VP 0808 M, A								
0	C 13	59.34.2101	100p		C 100 F, 5%, N150, CER	0	IC 9	50.08.0119	TL082	IC	TL 082 ACP, A	0	R 1	57.11.3104	100K	R 100 K, 1%, 0207, MF								
0	C 14	59.06.0104	100n		C 1 U, 10%, 63V, PETP	0	IC 10	50.09.0210	TL082	IC	TL 082 ACP, A	0	R 2	57.11.3103	10K	R 10 K, 1%, 0207, MF								
0	C 15	59.34.2330	33p		C 33 P, 5%, N150, CER	0	IC 11	50.14.0155	27C64	IC	NMC 27 C 64 Q 20 (5W 1.990.993.03)	0	R 3	57.11.3103	10K	R 10 K, 1%, 0207, MF								
0	C 16	59.30.8109	1u		C 1 U, 20%, 35V, TA	0	IC 12	50.07.0561	4051	IC	... 4051, A	0	R 4	57.11.3103	10K	R 10 K, 1%, 0207, MF								
0	C 17	59.34.4221	220p		C 220 P, 5%, N750, CER	0	IC 13	50.19.0102	AD7541A	IC	AD 7541 JN, MP 7623 JN, A	0	R 5	57.11.3102	1K	R 1 K, 1%, 0207, MF								
0	C 18	59.06.0683	68n		C .068 U, 10%, 63V, PETP	0	IC 14	50.11.0157	TL7059	IC	TL 7059 BCP, A	0	R 6	57.11.3103	10K	R 10 K, 1%, 0207, MF								
0	C 19	59.06.0683	68n		C .068 U, 10%, 63V, PETP	0	IC 15	50.10.0108	LM537L	IC	LM 537 L, Z	0	R 7	57.11.3103	10K	R 10 K, 1%, 0207, MF								
0	C 20	59.34.2330	33p		C 33 P, 5%, N150, CER	0	IC 16	50.17.1014	74HC14	IC	... 74 HC 14, A	0	R 8	57.11.3103	10K	R 10 K, 1%, 0207, MF								
0	C 21	59.06.0683	68n		C .068 U, 10%, 63V, PETP	0	IC 17	50.06.0119	TL082	IC	TL 082 ACP, A	0	R 9	57.11.3272	2K7	R 2.7 K, 1%, 0207, MF								
0	C 22	59.30.4339	3u3		C 3.3 U, 20%, 16V, TA	0	IC 18	50.03.0003	80C196	IC	N 80C 196 KB - 12, A	0	R 9	57.11.3104	100K	R 100 K, 1%, 0207, MF								
0	C 23	59.06.0683	68n		C .068 U, 10%, 63V, PETP	0	IC 19	50.17.7244	ACT244	IC	... 74 ACT 244, A	0	R 10	57.11.5225	2M2	R 2.2 M, 1%, 0207, MF								
0	C 24	59.06.0683	68n		C .068 U, 10%, 63V, PETP	0	IC 20	50.07.0015	HEF4693B	IC	... 4693, A	0	R 11	57.11.3103	2K4	R 2.4 K, 1%, 0207, MF								
0	C 25	59.06.0683	68n		C .068 U, 10%, 63V, PETP	0	IC 21	50.17.1138	74HC138	IC	... 74 HC 138, A	0	R 12	57.11.3103	10K	R 10 K, 1%, 0207, MF								
0	C 26	59.06.0683	68n		C .068 U, 10%, 63V, PETP	0	IC 22	50.17.7000	ACT100	IC	... 74 ACT 100, A	0	R 13	57.11.3103	10K	R 10 K, 1%, 0207, MF								
0	C 27	59.06.0683	68n		C .068 U, 10%, 63V, PETP	0	IC 23	50.17.7004	ACT04	IC	... 74 ACT 04, A	0	R 14	57.11.3103	10K	R 10 K, 1%, 0207, MF								
0	C 28	59.06.0683	68n		C .068 U, 10%, 63V, PETP	0	IC 24	50.17.7244	ACT124	IC	... 74 ACT 244, A	0	R 15	57.11.3242	2K4	R 2.4 K, 1%, 0207, MF								
0	C 29	59.22.5470	47u		C 47 U, -20%, 25V, EL	0	IC 25	50.17.1000	74HC00	IC	... 74 HC 00, A	0	R 16	57.11.5225	2M2	R 2.2 M, 1%, 0207, MF								
0	C 30	59.22.5470	47u		C 47 U, -20%, 25V, EL	0	IC 26	50.16.0153	82520	IC	SAB 82520-P, A	0	R 17	57.11.3104	100K	R 100 K, 1%, 0207, MF								
0	C 31	59.06.0683	68n		C .068 U, 10%, 63V, PETP	0	IC 27	50.17.1133	74HC153	IC	... 74 HC 153, A	0	R 18	57.11.3103	2K7	R 2.7 K, 1%, 0207, MF								
0	C 32	59.06.0222	2n2		C 2200 P, 10%, 63V, PETP	0	IC 28	50.17.1000	74HC00	IC	... 74 HC 00, A	0	R 19	57.11.3103	10K	R 10 K, 1%, 0207, MF								
0	C 33	59.06.0683	68n		C .068 U, 10%, 63V, PETP	0	IC 29	50.17.1000	74HC00	IC	... 74 HC 00, A	0	R 20	57.11.3103	10K	R 10 K, 1%, 0207, MF								
0	C 34	59.22.2471	470u		C 470 U, -20%, 6.3V, EL	0	IC 30	50.17.7032	ACT32	IC	... 74 ACT 32, A	0	R 21	57.11.3751	750	R 750, 1%, 0207, MF								
0	C 35	59.06.0683	68n		C .068 U, 10%, 63V, PETP	0	IC 31	50.15.0104	MC3486	IC	MC 3486 P, DS 3486 N, A	0	R 22	57.11.3221	220	R 220, 1%, 0207, MF								
0	C 36	59.06.0683	68n		C .068 U, 10%, 63V, PETP	0	IC 32	50.09.0119	TL082	IC	TL 082 ACP, A	0	R 23	57.11.3103	10K	R 10 K, 1%, 0207, MF								
0	C 37	59.06.0683	68n		C .068 U, 10%, 63V, PETP	0	IC 33	50.09.0119	TL082	IC	TL 082 ACP, A	0	R 24	57.11.3223	22K	R 22 K, 1%, 0207, MF								
0	C 38	59.06.0683	68n		C .068 U, 10%, 63V, PETP	0	IC 34	50.17.1151	74HC151	IC	... 74 HC 151, A	0	R 25	57.11.3103	10K	R 10 K, 1%, 0207, MF								
0	C 39	59.06.0683	68n		C .068 U, 10%, 63V, PETP	0	IC 35	50.17.1000	74HC00	IC	... 74 HC 00, A	0	R 26	57.11.3103	10K	R 10 K, 1%, 0207, MF								
0	C 40	59.22.5470	47u		C 47 U, -10%, 10V, EL	0	J 1	54.01.0021	J BRUECKE 2 *63			0	R 27	57.11.3473	47K	R 47 K, 1%, 0207, MF								
0	C 41	59.06.0683	68n		C .068 U, 10%, 63V, PETP	0	J 101	53.03.0218	1-P		XIC SINGLE, IN-LINE 1PIN=1STK	0	R 28	57.11.3473	47K	R 47 K, 1%, 0207, MF								
0	C 42	59.06.0683	68n		C .068 U, 10%, 63V, PETP	0	J 102	53.03.0218	1-P		XIC SINGLE, IN-LINE 1PIN=1STK	0	R 29	57.11.3103	10K	R 10 K, 1%, 0207, MF								
0	C 43	59.06.0222	2n2		C 2200 P, 10%, 63V, PETP	0	J 103	53.03.0218	1-P		XIC SINGLE, IN-LINE 1PIN=1STK	0	R 30	57.11.3103	10K	R 10 K, 1%, 0207, MF								
0	C 44	59.06.0683	68n		C .068 U, 10%, 63V, PETP	0	J 104	53.03.0218	1-P		XIC SINGLE, IN-LINE 1PIN=1STK	0	R 31	57.11.3103	10K	R 10 K, 1%, 0207, MF								
0	C 45	59.06.0222	2n2		C 2200 P, 10%, 63V, PETP	0	J 105	53.03.0218	1-P		XIC SINGLE, IN-LINE 1PIN=1STK	0	R 32	57.11.3103	10K	R 10 K, 1%, 0207, MF								
0	C 46	59.06.0222	2n2		C 2200 P, 10%, 63V, PETP	0	J 106	53.03.0218	1-P		XIC SINGLE, IN-LINE 1PIN=1STK	0	R 33	57.11.3103	10K	R 10 K, 1%, 0207, MF								
0	C 47	59.06.0683	68n		C .068 U, 10%, 63V, PETP	0	J 110	53.03.0218	1-P		XIC SINGLE, IN-LINE 1PIN=1STK	0	R 34	57.02.7014	0.65A	RT 650 MA, POLY- PTC								
0	C 48	59.06.0683	68n		C .068 U, 10%, 63V, PETP	0	J 107	53.03.0218	1-P		XIC SINGLE, IN-LINE 1PIN=1STK	0	R 35	57.02.7014	0.65A	RT 650 MA, POLY-								

Fader Front Board 1.950.707.00 / 81



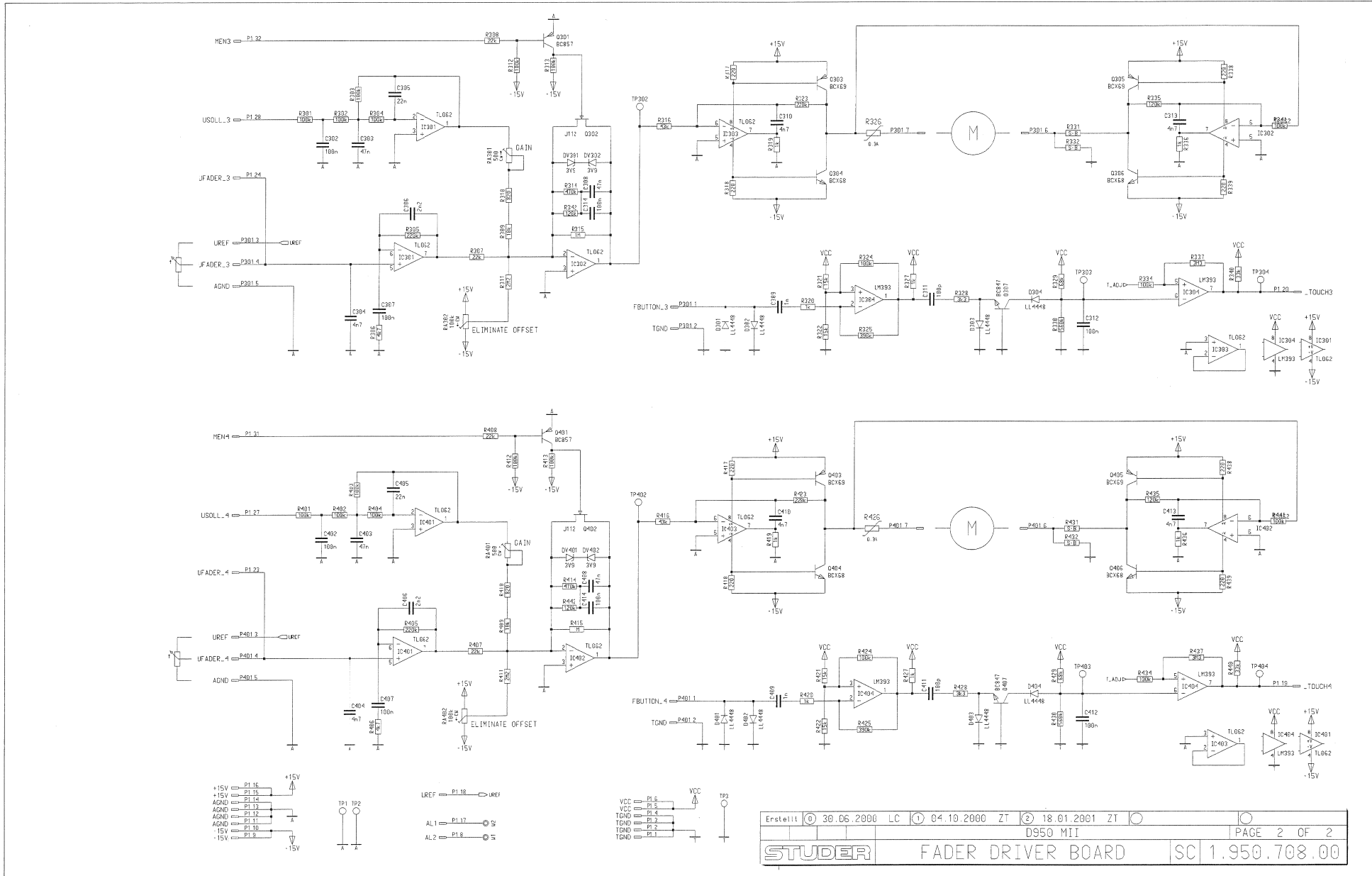
Fader Front Board 1.950.707.00 / 81



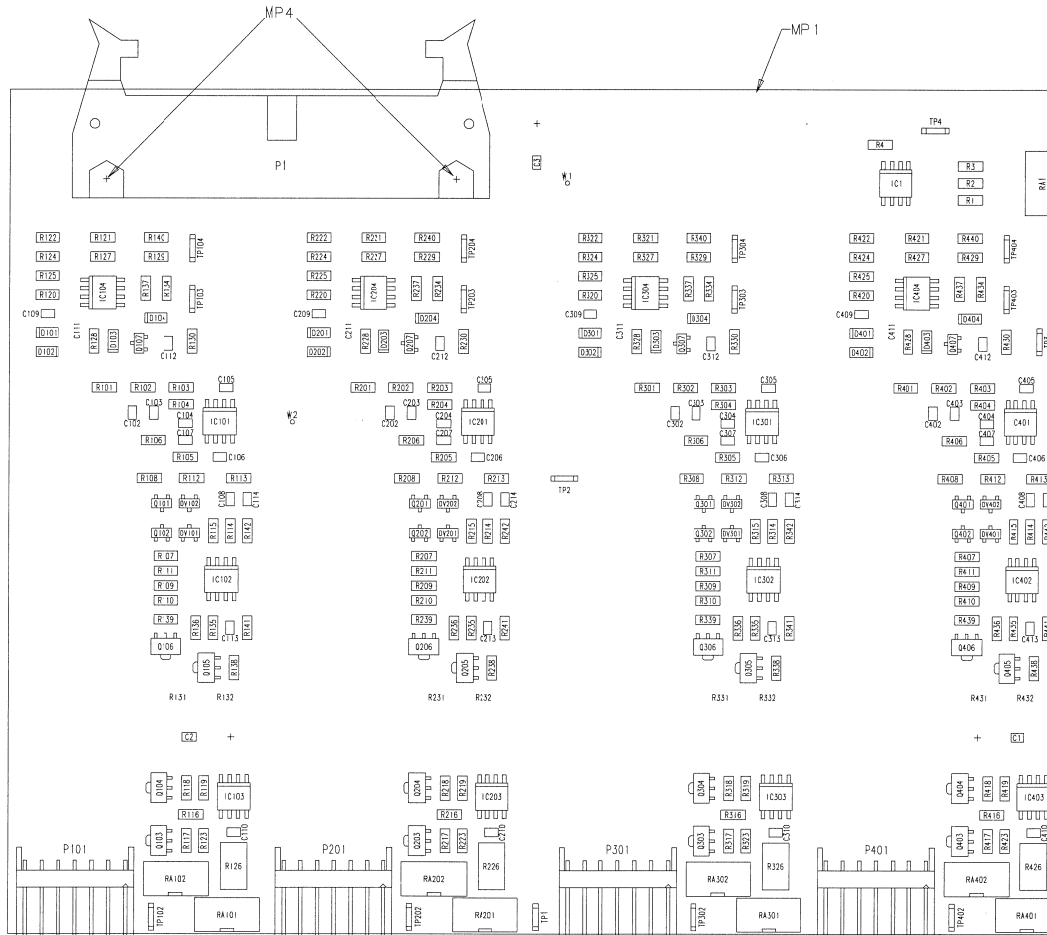
Fader Front Board 1.950.707.81

Idx	Pos.	Part No.	Qty.	Type/Val.	Description	Idx	Pos.	Part No.	Qty.	Type/Val.	Description	Idx	Pos.	Part No.	Qty.	Type/Val.	Description
0	C 1	59.60.3337	1 pce	100n	CER 50V, 10%, X7R, 0805	0	DL 28	50.63.9415	1 pce	red/grn	SMD LED 2.7*3.5	0	R 15	57.60.1100	1 pce	10R	MF, 1%, 0204, E24
0	C 2	59.60.3337	1 pce	100n	CER 50V, 10%, X7R, 0805	0	DL 29	50.63.9412	1 pce	red	SMD LED 2.7*3.5	0	R 16	57.60.1100	1 pce	10R	MF, 1%, 0204, E24
0	C 3	59.60.3337	1 pce	100n	CER 50V, 10%, X7R, 0805	0	DL 30	50.63.9413	1 pce	yeil	SMD LED 2.7*3.5	0	S 1	55.15.0634	1 pce	1'a	Switch 5mm, yel/transparent
0	C 6	59.60.3337	1 pce	100n	CER 50V, 10%, X7R, 0805	0	DL 31	50.63.9414	1 pce	grn	SMD LED 2.7*3.5	0	S 2	55.15.0635	1 pce	1'a	Switch 5mm, grn/transparent
0	C 7	59.60.3337	1 pce	100n	CER 50V, 10%, X7R, 0805	0	DL 32	50.63.9413	1 pce	yeil	SMD LED 2.7*3.5	0	S 3	55.15.0622	1 pce	1'a	Switch 5mm, red/red
0	C 8	59.60.3337	1 pce	100n	CER 50V, 10%, X7R, 0805	0	DL 33	50.63.9412	1 pce	red	SMD LED 2.7*3.5	0	S 4	55.15.0634	1 pce	1'a	Switch 5mm, yel/transparent
0	C 9	59.60.3337	1 pce	100n	CER 50V, 10%, X7R, 0805	0	DL 34	50.63.9412	1 pce	red	SMD LED 2.7*3.5	0	S 5	55.15.0644	1 pce	1'a	Switch 5mm, yel/yel
0	C 10	59.60.3337	1 pce	100n	CER 50V, 10%, X7R, 0805	0	DL 35	50.63.9415	1 pce	red/grn	SMD LED 2.7*3.5	0	S 6	55.15.0632	1 pce	1'a	Switch 5mm, red/transparent
0	C 11	59.60.3337	1 pce	100n	CER 50V, 10%, X7R, 0805	0	DL 36	50.63.9413	1 pce	yeil	SMD LED 2.7*3.5	0	S 7	55.15.0632	1 pce	1'a	Switch 5mm, red/transparent
0	D 1	50.60.8001	1 pce	4448	200mA 75V 4ns SOD 80	0	DL 37	50.63.9415	1 pce	red/grn	SMD LED 2.7*3.5	0	S 8	55.15.0705	1 pce	1'a	Switch 12mm, grn/transparent
0	D 2	50.60.8001	1 pce	4448	200mA 75V 4ns SOD 80	0	DL 41	50.63.9412	1 pce	red	SMD LED 2.7*3.5	0	S 9	55.15.0704	1 pce	1'a	Switch 12mm, yel/transparent
0	D 3	50.60.8001	1 pce	4448	200mA 75V 4ns SOD 80	0	DL 42	50.63.9412	1 pce	red	SMD LED 2.7*3.5	0	S 10	55.15.0634	1 pce	1'a	Switch 5mm, yel/transparent
0	D 4	50.60.8001	1 pce	4448	200mA 75V 4ns SOD 80	0	DL 43	50.63.9413	1 pce	yeil	SMD LED 2.7*3.5	0	S 12	55.15.0704	1 pce	1'a	Switch 12mm, yel/transparent
0	D 5	50.60.8001	1 pce	4448	200mA 75V 4ns SOD 80	0	DL 44	50.63.9414	1 pce	grn	SMD LED 2.7*3.5	0	S 11	55.15.0634	1 pce	1'a	Switch 5mm, yel/transparent
0	D 6	50.60.8001	1 pce	4448	200mA 75V 4ns SOD 80	0	DL 45	50.63.9412	1 pce	red	SMD LED 2.7*3.5	0	S 12	55.15.0704	1 pce	1'a	Switch 12mm, yel/transparent
0	D 7	50.60.8001	1 pce	4448	200mA 75V 4ns SOD 80	0	DL 46	50.63.9413	1 pce	yeil	SMD LED 2.7*3.5	0	S 13	55.15.0634	1 pce	1'a	Switch 5mm, yel/transparent
0	D 8	50.60.8001	1 pce	4448	200mA 75V 4ns SOD 80	0	DL 47	50.63.9413	1 pce	yeil	SMD LED 2.7*3.5	0	S 14	55.15.0635	1 pce	1'a	Switch 5mm, grn/transparent
0	D 9	50.60.8001	1 pce	4448	200mA 75V 4ns SOD 80	0	DL 48	50.63.9415	1 pce	red/grn	SMD LED 2.7*3.5	0	S 15	55.15.0622	1 pce	1'a	Switch 5mm, red/red
0	D 10	50.60.8001	1 pce	4448	200mA 75V 4ns SOD 80	0	DL 49	50.63.9412	1 pce	red	SMD LED 2.7*3.5	0	S 16	55.15.0634	1 pce	1'a	Switch 5mm, yel/transparent
0	D 11	50.60.8001	1 pce	4448	200mA 75V 4ns SOD 80	0	DL 50	50.63.9413	1 pce	yeil	SMD LED 2.7*3.5	0	S 17	55.15.0644	1 pce	1'a	Switch 5mm, yel/yel
0	D 12	50.60.8001	1 pce	4448	200mA 75V 4ns SOD 80	0	DL 51	50.63.9414	1 pce	grn	SMD LED 2.7*3.5	0	S 18	55.15.0632	1 pce	1'a	Switch 5mm, red/transparent
0	D 13	50.60.8001	1 pce	4448	200mA 75V 4ns SOD 80	0	DL 52	50.63.9413	1 pce	yeil	SMD LED 2.7*3.5	0	S 19	55.15.0632	1 pce	1'a	Switch 5mm, red/transparent
0	D 14	50.60.8001	1 pce	4448	200mA 75V 4ns SOD 80	0	DL 53	50.63.9412	1 pce	red	SMD LED 2.7*3.5	0	S 20	55.15.0632	1 pce	1'a	Switch 5mm, red/transparent
0	D 15	50.60.8001	1 pce	4448	200mA 75V 4ns SOD 80	0	DL 54	50.63.9412	1 pce	red	SMD LED 2.7*3.5	0	S 21	55.15.0705	1 pce	1'a	Switch 12mm, grn/transparent
0	D 16	50.60.8001	1 pce	4448	200mA 75V 4ns SOD 80	0	DL 55	50.63.9415	1 pce	red/grn	SMD LED 2.7*3.5	0	S 22	55.15.0704	1 pce	1'a	Switch 12mm, yel/transparent
0	D 17	50.60.8001	1 pce	4448	200mA 75V 4ns SOD 80	0	DL 56	50.63.9413	1 pce	yeil	SMD LED 2.7*3.5	0	S 23	55.15.0634	1 pce	1'a	Switch 5mm, yel/transparent
0	D 18	50.60.8001	1 pce	4448	200mA 75V 4ns SOD 80	0	DL 57	50.63.9415	1 pce	red/grn	SMD LED 2.7*3.5	0	S 24	55.15.0704	1 pce	1'a	Switch 12mm, yel/transparent
0	D 19	50.60.8001	1 pce	4448	200mA 75V 4ns SOD 80	0	DL 58	50.63.9412	1 pce	red	SMD LED 2.7*3.5	0	S 25	55.15.0634	1 pce	1'a	Switch 5mm, yel/transparent
0	D 20	50.60.8001	1 pce	4448	200mA 75V 4ns SOD 80	0	DL 62	50.63.9412	1 pce	red	SMD LED 2.7*3.5	0	S 26	55.15.0635	1 pce	1'a	Switch 5mm, grn/transparent
0	D 21	50.60.8001	1 pce	4448	200mA 75V 4ns SOD 80	0	DL 63	50.63.9413	1 pce	yeil	SMD LED 2.7*3.5	0	S 27	55.15.0622	1 pce	1'a	Switch 5mm, red/red
0	D 22	50.60.8001	1 pce	4448	200mA 75V 4ns SOD 80	0	DL 64	50.63.9414	1 pce	grn	SMD LED 2.7*3.5	0	S 28	55.15.0634	1 pce	1'a	Switch 5mm, yel/transparent
0	D 23	50.60.8001	1 pce	4448	200mA 75V 4ns SOD 80	0	DL 65	50.63.9412	1 pce	red	SMD LED 2.7*3.5	0	S 29	55.15.0644	1 pce	1'a	Switch 5mm, yel/yel
0	D 24	50.60.8001	1 pce	4448	200mA 75V 4ns SOD 80	0	DL 66	50.63.9413	1 pce	yeil	SMD LED 2.7*3.5	0	S 30	55.15.0632	1 pce	1'a	Switch 5mm, red/transparent
0	D 25	50.60.8001	1 pce	4448	200mA 75V 4ns SOD 80	0	DL 67	50.63.9413	1 pce	yeil	SMD LED 2.7*3.5	0	S 31	55.15.0632	1 pce	1'a	Switch 5mm, red/transparent
0	D 26	50.60.8001	1 pce	4448	200mA 75V 4ns SOD 80	0	DL 68	50.63.9415	1 pce	red/grn	SMD LED 2.7*3.5	0	S 32	55.15.0632	1 pce	1'a	Switch 5mm, red/transparent
0	D 27	50.60.8001	1 pce	4448	200mA 75V 4ns SOD 80	0	DL 69	50.63.9412	1 pce	red	SMD LED 2.7*3.5	0	S 33	55.15.0705	1 pce	1'a	Switch 12mm, grn/transparent
0	D 28	50.60.8001	1 pce	4448	200mA 75V 4ns SOD 80	0	DL 70	50.63.9413	1 pce	yeil	SMD LED 2.7*3.5	0	S 34	55.15.0704	1 pce	1'a	Switch 12mm, yel/transparent
0	D 29	50.60.8001	1 pce	4448	200mA 75V 4ns SOD 80	0	DL 71	50.63.9414	1 pce	grn	SMD LED 2.7*3.5	0	S 35	55.15.0634	1 pce	1'a	Switch 5mm, yel/transparent
0	D 30	50.60.8001	1 pce	4448	200mA 75V 4ns SOD 80	0	DL 72	50.63.9413	1 pce	yeil	SMD LED 2.7*3.5	0	S 36	55.15.0704	1 pce	1'a	Switch 12mm, yel/transparent
0	D 31	50.60.8001	1 pce	4448	200mA 75V 4ns SOD 80	0	DL 73	50.63.9412	1 pce	red	SMD LED 2.7*3.5	0	S 37	55.15.0634	1 pce	1'a	Switch 5mm, yel/transparent
0	D 32	50.60.8001	1 pce	4448	200mA 75V 4ns SOD 80	0	DL 74	50.63.9412	1 pce	red	SMD LED 2.7*3.5	0	S 38	55.15.0635	1 pce	1'a	Switch 5mm, grn/transparent
0	D 33	50.60.8001	1 pce	4448	200mA 75V 4ns SOD 80	0	DL 75	50.63.9415	1 pce	red/grn	SMD LED 2.7*3.5	0	S 39	55.15.0622	1 pce	1'a	Switch 5mm, red/red
0	D 34	50.60.8001	1 pce	4448	200mA 75V 4ns SOD 80	0	DL 76	50.63.9413	1 pce	yeil	SMD LED 2.7*3.5	0	S 40	55.15.0634	1 pce	1'a	Switch 5mm, yel/transparent
0	D 35	50.60.8001	1 pce	4448	200mA 75V 4ns SOD 80	0	DL 77	50.63.9415	1 pce	red/grn	SMD LED 2.7*3.5	0	S 41	55.15.0644	1 pce	1'a	Switch 5mm, yel/yel
0	D 36	50.60.8001	1 pce	4448	200mA 75V 4ns SOD 80	0	DLZ 1	73.01.0408	1 pce	4digit	5*7 Dot matrix display green	0	S 42	55.15.0632	1 pce	1'a	Switch 5mm, red/transparent
0	D 37	50.60.8001	1 pce	4448	200mA 75V 4ns SOD 80	0	DLZ 2	73.01.0408	1 pce	4digit	5*7 Dot matrix display green	0	S 43	55.15.0632	1 pce	1'a	Switch 5mm, red/transparent
0	D 38	50.60.8001	1 pce	4448	200mA 75V 4ns SOD 80	0	DLZ 3	73.01.0408	1 pce	4digit	5*7 Dot matrix display green	0	S 44	55.15.0632	1 pce	1'a	Switch 5mm, red/transparent
0	D 39	50.60.8001	1 pce	4448	200mA 75V 4ns SOD 80	0	DLZ 4	73.01.0408	1 pce	4digit	5*7 Dot matrix display green	0	S 45	55.15.0705	1 pce	1'a	Switch 12mm, grn/transparent
0	D 40	50.60.8001	1 pce	4448	200mA 75V 4ns SOD 80	0	DLZ 5	73.01.0408	1 pce	4digit	5*7 Dot matrix display green	0	S 46	55.15.0704	1 pce	1'a	Switch 12mm, yel/transparent
0	D 41	50.60.8001	1 pce	4448	200mA 75V 4ns SOD 80	0	DLZ 6	73.01.0408	1 pce	4digit	5*7 Dot matrix display green	0	S 47	55.15.0634	1 pce	1'a	Switch 5mm, yel/transparent
0	D 42	50.60.8001	1 pce	4448	200mA 75V 4ns SOD 80	0	DLZ 7	73.01.0408	1 pce	4digit	5*7 Dot matrix display green	0	S 48	55.15.0704	1 pce	1'a	Switch 12mm, yel/transparent
0	D 43	50.60.8001	1 pce	4448	200mA 75V 4ns SOD 80	0	DLZ 8	73.01.0408	1 pce	4digit	5*7 Dot matrix display green						
0	D 44	50.60.8001	1 pce	4448	200mA 75V 4ns SOD 80	0	DLZ 9	73.01.0135	1 pce	7-SEG	7-SEG-ANZEIGE LED GN 7.6 MM						
0	D 45	50.60.8001	1 pce	4448	200mA 75V 4ns SOD 80	0	DLZ 10	73.01.0135	1 pce	7-SEG	7-SEG-ANZEIGE LED GN 7.6 MM						
0	D 46	50.60.8001	1 pce	4448	200mA 75V 4ns SOD 80	0	DLZ 11	73.01.0135	1 pce	7-SEG	7-SEG-ANZEIGE LED GN 7.6 MM						
0	D 47	50.60.8001	1 pce	4448	200mA 75V 4ns SOD 80	0	DLZ 12	73.01.0135	1 pce	7-SEG	7-SEG-ANZEIGE LED GN 7.6 MM						
0	D 48	50.60.8001	1 pce	4448	200mA 75V 4ns SOD 80	0	MP 1	1.950.707.12	1 pce		Fader Front PCB						
0	DL 1	50.60.9412	1 pce	red	SMD LED 2.7*3.5	0	MP 2	1.950.707.04	1 pce		Nr. Etikette						
0	DL 2	50.60.9412	1 pce	red	SMD LED 2.7*3.5	0	MP 3	43.01.0103	1 pce	Label	ESE-WARNSCHILD						

Fader Driver Board 1.950.708.00



Fader Driver Board 1.950.708.00



Idx	Pos.	Part No.	Qty.	Type/Val.	Description
0	C 1	59.60.3337	1 pce	100n	CER 50V, 10%, X7R, 0805
0	C 2	59.60.3337	1 pce	100n	CER 50V, 10%, X7R, 0805
0	C 3	59.60.3337	1 pce	100n	CER 50V, 10%, X7R, 0805
0	C 102	59.60.3337	1 pce	100n	CER 50V, 10%, X7R, 0805
0	C 103	59.60.3333	1 pce	47n	CER 50V, 10%, X7R, 0805
0	C 104	59.60.3321	1 pce	4n7	CER 50V, 10%, X7R, 0805
0	C 105	59.60.3329	1 pce	22n	CER 50V, 10%, X7R, 0805
0	C 106	59.60.3317	1 pce	2n2	CER 50V, 10%, X7R, 0805
0	C 107	59.60.3337	1 pce	100n	CER 50V, 10%, X7R, 0805
0	C 108	not used	1 pce	47n	CER 50V, 10%, X7R, 0805
0	C 109	59.60.2373	1 pce	1n0	CER 50V, 5%, COG, 0805
0	C 110	59.60.3321	1 pce	4n7	CER 50V, 10%, X7R, 0805
0	C 111	59.60.2249	1 pce	100p	CER 50V, 5%, COG, 0603
1	C 112	59.60.3337	100n		CER 50V, 10%, X7R, 0805
0	C 113	59.60.3321	1 pce	4n7	CER 50V, 10%, X7R, 0805
0	C 114	59.60.3337	1 pce	100n	CER 50V, 10%, X7R, 0805
0	C 202	59.60.3337	1 pce	100n	CER 50V, 10%, X7R, 0805
0	C 203	59.60.3333	1 pce	47n	CER 50V, 10%, X7R, 0805
0	C 204	59.60.3321	1 pce	4n7	CER 50V, 10%, X7R, 0805
0	C 205	59.60.3329	1 pce	22n	CER 50V, 10%, X7R, 0805
0	C 206	59.60.3317	1 pce	2n2	CER 50V, 10%, X7R, 0805
0	C 207	59.60.3337	1 pce	100n	CER 50V, 10%, X7R, 0805
0	C 208	not used	1 pce	47n	CER 50V, 10%, X7R, 0805
0	C 209	59.60.2373	1 pce	1n0	CER 50V, 5%, COG, 0805
0	C 210	59.60.3321	1 pce	4n7	CER 50V, 10%, X7R, 0805
0	C 211	59.60.2249	1 pce	100p	CER 50V, 5%, COG, 0603
1	C 212	59.60.3337	100n		CER 50V, 10%, X7R, 0805
0	C 213	59.60.3321	1 pce	4n7	CER 50V, 10%, X7R, 0805
0	C 214	59.60.3337	1 pce	100n	CER 50V, 10%, X7R, 0805
0	C 302	59.60.3337	1 pce	100n	CER 50V, 10%, X7R, 0805
0	C 303	59.60.3333	1 pce	47n	CER 50V, 10%, X7R, 0805
0	C 304	59.60.3321	1 pce	4n7	CER 50V, 10%, X7R, 0805
0	C 305	59.60.3329	1 pce	22n	CER 50V, 10%, X7R, 0805
0	C 306	59.60.3317	1 pce	2n2	CER 50V, 10%, X7R, 0805
0	C 307	59.60.3337	1 pce	100n	CER 50V, 10%, X7R, 0805
0	C 308	not used	1 pce	47n	CER 50V, 10%, X7R, 0805
0	C 309	59.60.2373	1 pce	1n0	CER 50V, 5%, COG, 0805
0	C 310	59.60.3321	1 pce	4n7	CER 50V, 10%, X7R, 0805
0	C 311	59.60.2249	1 pce	100p	CER 50V, 5%, COG, 0603
1	C 312	59.60.3337	100n		CER 50V, 10%, X7R, 0805
0	C 313	59.60.3321	1 pce	4n7	CER 50V, 10%, X7R, 0805
0	C 314	59.60.3337	1 pce	100n	CER 50V, 10%, X7R, 0805
0	C 402	59.60.3337	1 pce	100n	CER 50V, 10%, X7R, 0805
0	C 403	59.60.3333	1 pce	47n	CER 50V, 10%, X7R, 0805
0	C 404	59.60.3321	1 pce	4n7	CER 50V, 10%, X7R, 0805
0	C 405	59.60.3329	1 pce	22n	CER 50V, 10%, X7R, 0805
0	C 406	59.60.3317	1 pce	2n2	CER 50V, 10%, X7R, 0805
0	C 407	59.60.3337	1 pce	100n	CER 50V, 10%, X7R, 0805
0	C 408	not used	1 pce	47n	CER 50V, 10%, X7R, 0805
0	C 409	59.60.2373	1 pce	1n0	CER 50V, 5%, COG, 0805
0	C 410	59.60.3321	1 pce	4n7	CER 50V, 10%, X7R, 0805
0	C 411	59.60.2249	1 pce	100p	CER 50V, 5%, COG, 0603
1	C 412	59.60.3337	100n		CER 50V, 10%, X7R, 0805
0	C 413	59.60.3321	1 pce	4n7	CER 50V, 10%, X7R, 0805
0	C 414	59.60.3337	1 pce	100n	CER 50V, 10%, X7R, 0805
0	D 101	50.60.8001	1 pce	4448	200mA 75V 4ns SOD 80
0	D 102	50.60.8001	1 pce	4448	200mA 75V 4ns SOD 80
0	D 103	50.60.8001	1 pce	4448	200mA 75V 4ns SOD 80
0	D 104	50.60.8001	1 pce	4448	200mA 75V 4ns SOD 80
0	D 201	50.60.8001	1 pce	4448	200mA 75V 4ns SOD 80
0	D 202	50.60.8001	1 pce	4448	200mA 75V 4ns SOD 80
0	D 203	50.60.8001	1 pce	4448	200mA 75V 4ns SOD 80
0	D 204	50.60.8001	1 pce	4448	200mA 75V 4ns SOD 80
0	D 301	50.60.8001	1 pce	4448	200mA 75V 4ns SOD 80
0	D 302	50.60.8001	1 pce	4448	200mA 75V 4ns SOD 80
0	D 303	50.60.8001	1 pce	4448	200mA 75V 4ns SOD 80
0	D 304	50.60.8001	1 pce	4448	200mA 75V 4ns SOD 80
0	D 401	50.60.8001	1 pce	4448	200mA 75V 4ns SOD 80
0	D 402	50.60.8001	1 pce	4448	200mA 75V 4ns SOD 80
0	D 403	50.60.8001	1 pce	4448	200mA 75V 4ns SOD 80
0	D 404	50.60.8001	1 pce	4448	200mA 75V 4ns SOD 80
0	DV 101	50.60.9007	1 pce	3V9	5%, 0.2W, SOT 23
0	DV 102	50.60.9007	1 pce	3V9	5%, 0.2W, SOT 23
0	DV 201	50.60.9007	1 pce	3V9	5%, 0.2W, SOT 23
0	DV 202	50.60.9007	1 pce	3V9	5%, 0.2W, SOT 23
0	DV 301	50.60.9007	1 pce	3V9	5%, 0.2W, SOT 23
0	DV 302	50.60.9007	1 pce	3V9	5%, 0.2W, SOT 23

Accompanying documents:
Zugabe: siehe unten links:
PL

General tolerance:
Freiwaßtoleranz:

Scale:
Maßstab:

30.06.2000

LC ML HW

Vize Ger. Dashed Gen. Seen Gen. Index

STUDER REGENSDORF

FADER DRIVER BOARD, ESE

1.950.708.00

Fader Driver Board 1.950.708.00

Idx	Pos.	Part No.	Qty.	Type/Val.	Description	Idx	Pos.	Part No.	Qty.	Type/Val.	Description	Idx	Pos.	Part No.	Qty.	Type/Val.	Description	Idx	Pos.	Part No.	Qty.	Type/Val.	Description	
0	DV 401	50.60.9007	1 pce	3V9	5%, 0.2W, SOT 23	0	R 116	57.60.1433	1 pce	43k	MF, 1%, 0204, E24	0	R 312	57.60.1104	1 pce	100k	MF, 1%, 0204, E24	0	RA 402	58.01.9104	1 pce	100k	Cermet, 10%, 0.5W, vertical	
0	DV 402	50.60.9007	1 pce	3V9	5%, 0.2W, SOT 23	0	R 117	57.60.1221	1 pce	220R	MF, 1%, 0204, E24	0	R 313	57.60.1104	1 pce	100k	MF, 1%, 0204, E24	0	TP 1	not used	1 pce	1p	PCB-Flachst 2.8*0.8, gerade	
0	IC 1	50.61.0201	1 pce	TL062	Dual FET Op-Amp	0	R 118	57.60.1221	1 pce	220R	MF, 1%, 0204, E24	0	R 314	57.60.1474	1 pce	470k	MF, 1%, 0204, E24	0	TP 2	not used	1 pce	1p	PCB-Flachst 2.8*0.8, gerade	
0	IC 101	50.61.0201	1 pce	TL062	Dual FET Op-Amp	0	R 119	57.60.1102	1 pce	1k0	MF, 1%, 0204, E24	0	R 315	57.60.1103	1M	MF, 1%, 0204, E24	0	TP 3	not used	1 pce	1p	PCB-Flachst 2.8*0.8, gerade		
0	IC 102	50.61.0201	1 pce	TL062	Dual FET Op-Amp	0	R 120	57.60.1102	1 pce	1k0	MF, 1%, 0204, E24	0	R 316	57.60.1433	1 pce	43k	MF, 1%, 0204, E24	0	TP 4	not used	1 pce	1p	PCB-Flachst 2.8*0.8, gerade	
0	IC 103	50.61.0201	1 pce	TL062	Dual FET Op-Amp	0	R 121	57.60.1153	1 pce	15k	MF, 1%, 0204, E24	0	R 317	57.60.1221	1 pce	220R	MF, 1%, 0204, E24	0	TP 102	not used	1 pce	1p	PCB-Flachst 2.8*0.8, gerade	
0	IC 104	50.61.9001	1 pce	LM393	Dual voltage comp. SO 8	0	R 122	57.60.1153	1 pce	15k	MF, 1%, 0204, E24	0	R 318	57.60.1221	1 pce	220R	MF, 1%, 0204, E24	0	TP 103	not used	1 pce	1p	PCB-Flachst 2.8*0.8, gerade	
0	IC 201	50.61.0201	1 pce	TL062	Dual FET Op-Amp	0	R 123	57.60.1224	1 pce	220k	MF, 1%, 0204, E24	0	R 319	57.60.1102	1 pce	1k0	MF, 1%, 0204, E24	0	TP 104	not used	1 pce	1p	PCB-Flachst 2.8*0.8, gerade	
0	IC 202	50.61.0201	1 pce	TL062	Dual FET Op-Amp	0	R 124	57.60.1194	1 pce	100k	MF, 1%, 0204, E24	0	R 320	57.60.1102	1 pce	1k0	MF, 1%, 0204, E24	0	TP 202	not used	1 pce	1p	PCB-Flachst 2.8*0.8, gerade	
0	IC 203	50.61.0201	1 pce	TL062	Dual FET Op-Amp	0	R 125	57.60.1394	1 pce	390k	MF, 1%, 0204, E24	0	R 321	57.60.1153	1 pce	15k	MF, 1%, 0204, E24	0	TP 203	not used	1 pce	1p	PCB-Flachst 2.8*0.8, gerade	
0	IC 204	50.61.9001	1 pce	LM393	Dual voltage comp. SO 8	2	R 126	57.92.7012	0.3A	PTC 60V		0	R 322	57.60.1153	1 pce	15k	MF, 1%, 0204, E24	0	TP 204	not used	1 pce	1p	PCB-Flachst 2.8*0.8, gerade	
0	IC 301	50.61.0201	1 pce	TL062	Dual FET Op-Amp	0	R 127	57.60.1102	1 pce	1k0	MF, 1%, 0204, E24	0	R 323	57.60.1224	1 pce	220k	MF, 1%, 0204, E24	0	TP 302	not used	1 pce	1p	PCB-Flachst 2.8*0.8, gerade	
0	IC 302	50.61.0201	1 pce	TL062	Dual FET Op-Amp	0	R 128	57.60.1332	1 pce	3k3	MF, 1%, 0204, E24	0	R 324	57.60.1104	1 pce	100k	MF, 1%, 0204, E24	0	TP 303	not used	1 pce	1p	PCB-Flachst 2.8*0.8, gerade	
0	IC 303	50.61.0201	1 pce	TL062	Dual FET Op-Amp	0	R 129	57.60.1683	1 pce	68k	MF, 1%, 0204, E24	0	R 325	57.60.1394	1 pce	390k	MF, 1%, 0204, E24	0	TP 304	not used	1 pce	1p	PCB-Flachst 2.8*0.8, gerade	
0	IC 304	50.61.9001	1 pce	LM393	Dual voltage comp. SO 8	0	R 130	57.60.1564	1 pce	560k	MF, 1%, 0204, E24	2	R 326	57.92.7C12	0.3A	PTC 60V		0	TP 402	not used	1 pce	1p	PCB-Flachst 2.8*0.8, gerade	
0	IC 401	50.61.0201	1 pce	TL062	Dual FET Op-Amp	0	R 131	not used	1 pce	ORO	MF, 0204	0	R 327	57.60.1102	1 pce	1k0	MF, 1%, 0204, E24	0	TP 403	not used	1 pce	1p	PCB-Flachst 2.8*0.8, gerade	
0	IC 402	50.61.0201	1 pce	TL062	Dual FET Op-Amp	0	R 132	57.60.1000	1 pce	ORO	MF, 0204	0	R 328	57.60.1332	1 pce	3k3	MF, 1%, 0204, E24	0	TP 404	not used	1 pce	1p	PCB-Flachst 2.8*0.8, gerade	
0	IC 403	50.61.0201	1 pce	TL062	Dual FET Op-Amp	0	R 134	57.60.1104	1 pce	100k	MF, 1%, 0204, E24	0	R 329	57.60.1683	1 pce	68k	MF, 1%, 0204, E24	0	TP 404	not used	1 pce	1p	PCB-Flachst 2.8*0.8, gerade	
0	IC 404	50.61.9001	1 pce	LM393	Dual voltage comp. SO 8	0	R 135	57.60.1124	1 pce	120k	MF, 1%, 0204, E24	0	R 330	57.60.1654	1 pce	560k	MF, 1%, 0204, E24							
0	MP 1	1.950.708.12	1 pce		Fader Driver PCB	0	R 136	57.60.1102	1 pce	1k0	MF, 1%, 0204, E24	0	R 331	not used	1 pce	ORO	MF, 0204							
0	MP 2	1.950.708.04	1 pce		Nr. Etikette	0	R 137	57.60.1335	1 pce	3M3	MF, 1%, 0204, E24	0	R 332	57.60.1000	1 pce	ORO	MF, 0204							
0	MP 3	43.01.0108	2 pce	Label	ESE-WARNschild	0	R 138	57.60.1221	1 pce	220R	MF, 1%, 0204, E24	0	R 333	57.60.1104	1 pce	100k	MF, 1%, 0204, E24							
0	MP 4	28.99.0119	2 pce		ROHRNIETE D 2.5*0.15" 9	0	R 139	57.60.1221	1 pce	220R	MF, 1%, 0204, E24	0	R 334	57.60.1124	1 pce	120k	MF, 1%, 0204, E24							
2	MP 5	43.10.0111	1 pce	B	Revisions-Etikette 5mm h'blau	0	R 140	57.60.1333	1 pce	3k3	MF, 1%, 0204, E24	0	R 335	57.60.1102	1 pce	1k0	MF, 1%, 0204, E24							
0	P 1	54.14.2018	1 pce	34p	Winkelstecker Au	0	R 141	57.60.1104	1 pce	100k	MF, 1%, 0204, E24	0	R 336	57.60.1102	1 pce	1k0	MF, 1%, 0204, E24							
0	P 101	54.12.0727	1 pce	7p	Stecker winkel PCB	0	R 142	57.60.1124	1 pce	120k	MF, 1%, 0204, E24	0	R 337	57.60.1335	1 pce	3M3	MF, 1%, 0204, E24							
0	P 201	54.12.0727	1 pce	7p	Stecker winkel PCB	1	R 201	57.60.1104	100k	MF, 1%, 0204, E24	0	R 338	57.60.1221	1 pce	220R	MF, 1%, 0204, E24								
0	P 301	54.12.0727	1 pce	7p	Stecker winkel PCB	1	R 202	57.60.1104	100k	MF, 1%, 0204, E24	0	R 339	57.60.1224	1 pce	220R	MF, 1%, 0204, E24								
0	P 401	54.12.0727	1 pce	7p	Stecker winkel PCB	1	R 203	57.60.1104	100k	MF, 1%, 0204, E24	0	R 340	57.60.1333	1 pce	33k	MF, 1%, 0204, E24								
0	Q 101	50.60.1001	1 pce	BC857B	PNP 45V 100mA SOT 23	1	R 204	57.60.1104	100k	MF, 1%, 0204, E24	0	R 341	57.60.1104	1 pce	100k	MF, 1%, 0204, E24								
0	Q 102	50.60.2001	1 pce	J112	JFET N-Channel	0	R 205	57.60.1224	1 pce	220k	MF, 1%, 0204, E24	0	R 342	57.60.1124	1 pce	120k	MF, 1%, 0204, E24							
0	Q 133	50.60.0100	1 pce	BCX69-25	PNP 45V 1.0A SOT 89	0	R 206	57.60.1472	1 pce	4k7	MF, 1%, 0204, E24	1	R 402	57.60.1104	100k	MF, 1%, 0204, E24								
0	Q 134	50.60.0100	1 pce	BCX68-25	NPN 45V 1.0A SOT 89	0	R 207	57.60.1223	1 pce	22k	MF, 1%, 0204, E24	1	R 403	57.60.1104	100k	MF, 1%, 0204, E24								
0	Q 135	50.60.0100	1 pce	BCX68-25	NPN 45V 1.0A SOT 89	0	R 208	57.60.1223	1 pce	22k	MF, 1%, 0204, E24	1	R 404	57.60.1104	100k	MF, 1%, 0204, E24								
0	Q 136	50.60.0100	1 pce	BCX58-25	PNP 45V 1.0A SOT 89	0	R 209	57.60.1103	10k	MF, 1%, 0204, E24	0	R 405	57.60.1224	1 pce	220k	MF, 1%, 0204, E24								
0	Q 137	50.60.0001	1 pce	BC847B	PNP 45V 100mA SOT 23	0	R 210	57.60.1821	820R	MF, 1%, 0204, E24	0	R 406	57.60.1472	1 pce	4k7	MF, 1%, 0204, E24								
0	Q 211	50.60.1001	1 pce	BC857B	PNP 45V 100mA SOT 23	0	R 211	57.60.1225	2M2	MF, 1%, 0204, E24	0	R 407	57.60.1223	1 pce	22k	MF, 1%, 0204, E24								
0	Q 222	50.60.2001	1 pce	J112	JFET N-Channel	0	R 212	57.60.1104	1 pce	100k	MF, 1%, 0204, E24	0	R 408	57.60.1223	1 pce	22k	MF, 1%, 0204, E24							
0	Q 233	50.60.1100	1 pce	BCX69-25	PNP 45V 1.0A SOT 89	0	R 213	57.60.1104	1 pce	100k	MF, 1%, 0204, E24	0	R 409	57.60.1103	10k	MF, 1%, 0204, E24								
0	Q 234	50.60.0100	1 pce	BCX68-25	NPN 45V 1.0A SOT 89	0	R 214	57.60.1474	1 pce	470k	MF, 1%, 0204, E24	0	R 410	57.60.1821	820R	MF, 1%, 0204, E24								
0	Q 235	50.60.1100	1 pce	BCX69-25	PNP 45V 1.0A SOT 89	0	R 215	57.60.1105	1M	MF, 1%, 0204, E24	0	R 411	57.60.1225	2M2	MF, 1%, 0204, E24									
0	Q 268	50.60.0100	1 pce	BCX68-25	NPN 45V 1.0A SOT 89	0	R 216	57.60.1433	1 pce	43k	MF, 1%, 0204, E24	0	R 412	57.60.1104	1 pce	100k	MF, 1%, 0204, E24							
0	Q 207	50.60.0001	1 pce	BC847B	PNP 45V 100mA SOT 23	0	R 217	57.60.1221	1 pce	220R	MF, 1%, 0204, E24	0	R 413	57.60.1104	1 pce	100k	MF, 1%, 0204, E24							
0	Q 301	50.60.1001	1 pce	BC857B	PNP 45V 100mA SOT 23	0	R 218	57.60.1221	1 pce	220R	MF, 1%, 0204, E24	0	R 414	57.60.1474	1 pce	470k	MF, 1%, 0204, E24							
0	Q 302	50.60.2001	1 pce	J112	JFET N-Channel	0	R 219	57.60.1102	1 pce	1k0	MF, 1%, 0204, E24	0	R 415	57.60.1105	1M	MF, 1%, 0204, E24								
0	Q 303	50.60.1100	1 pce	BCX69-25	PNP 45V 1.0A SOT 89	0	R 220	57.60.1102	1 pce	1k0	MF, 1%, 0204, E24	0	R 416	57.60.1433	1 pce	43k	MF, 1%, 0204, E24							

SCHEMATA / CIRCUIT DIAGRAMS

Input Panel Units

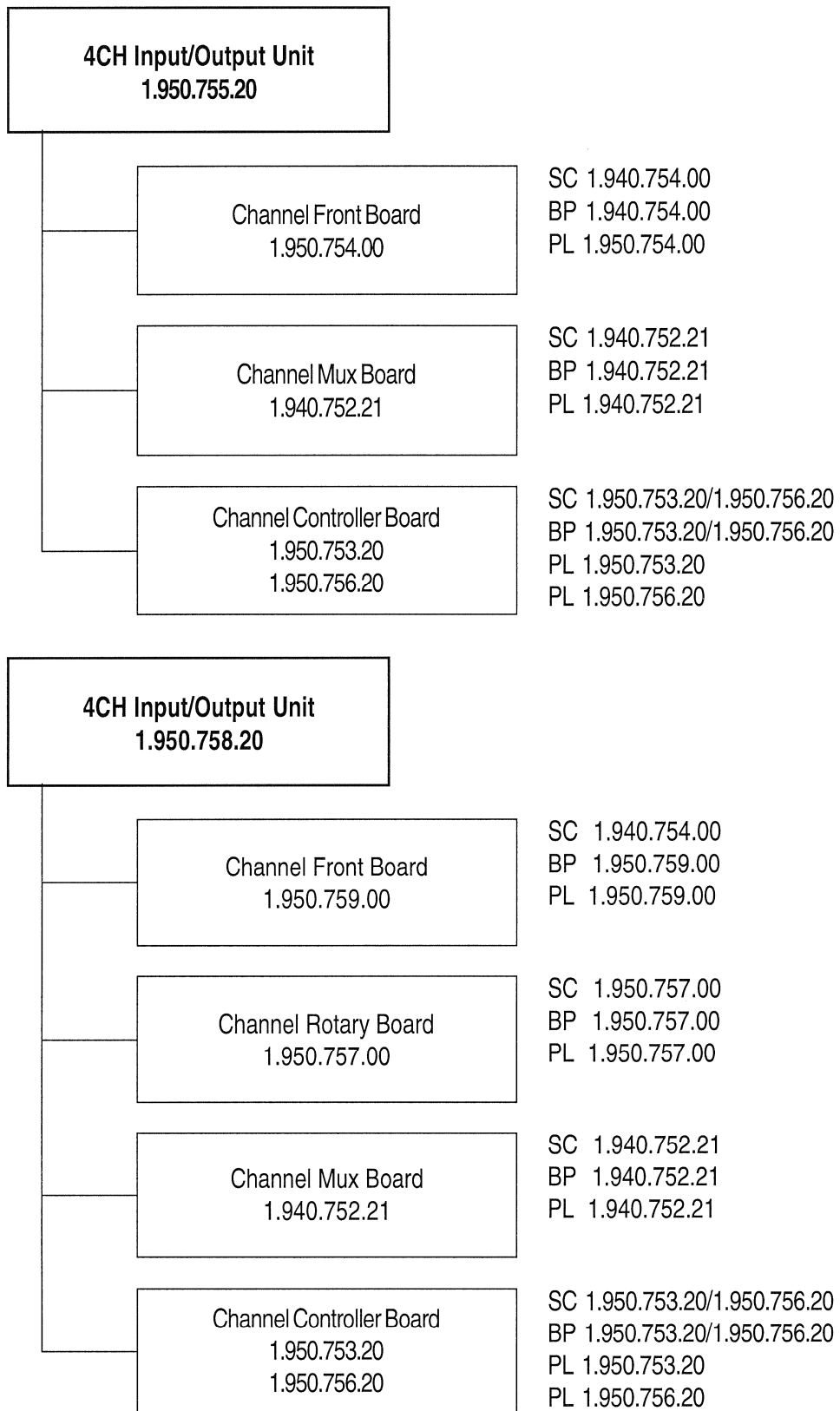
Channel Mux Board	1.940.752.21
Channel Controller Board	1.950.753.20
Channel Front Board	1.950.754.00
4CH Input/Output Unit	1.950.755.20
Channel Controller Board	1.950.756.20
Channel Rotary Board	1.950.757.00
Channel Front Board	1.950.759.00

D950 M2

Channel Front Board	1.950.761.00
Channel Controller Board	1.950.762.20

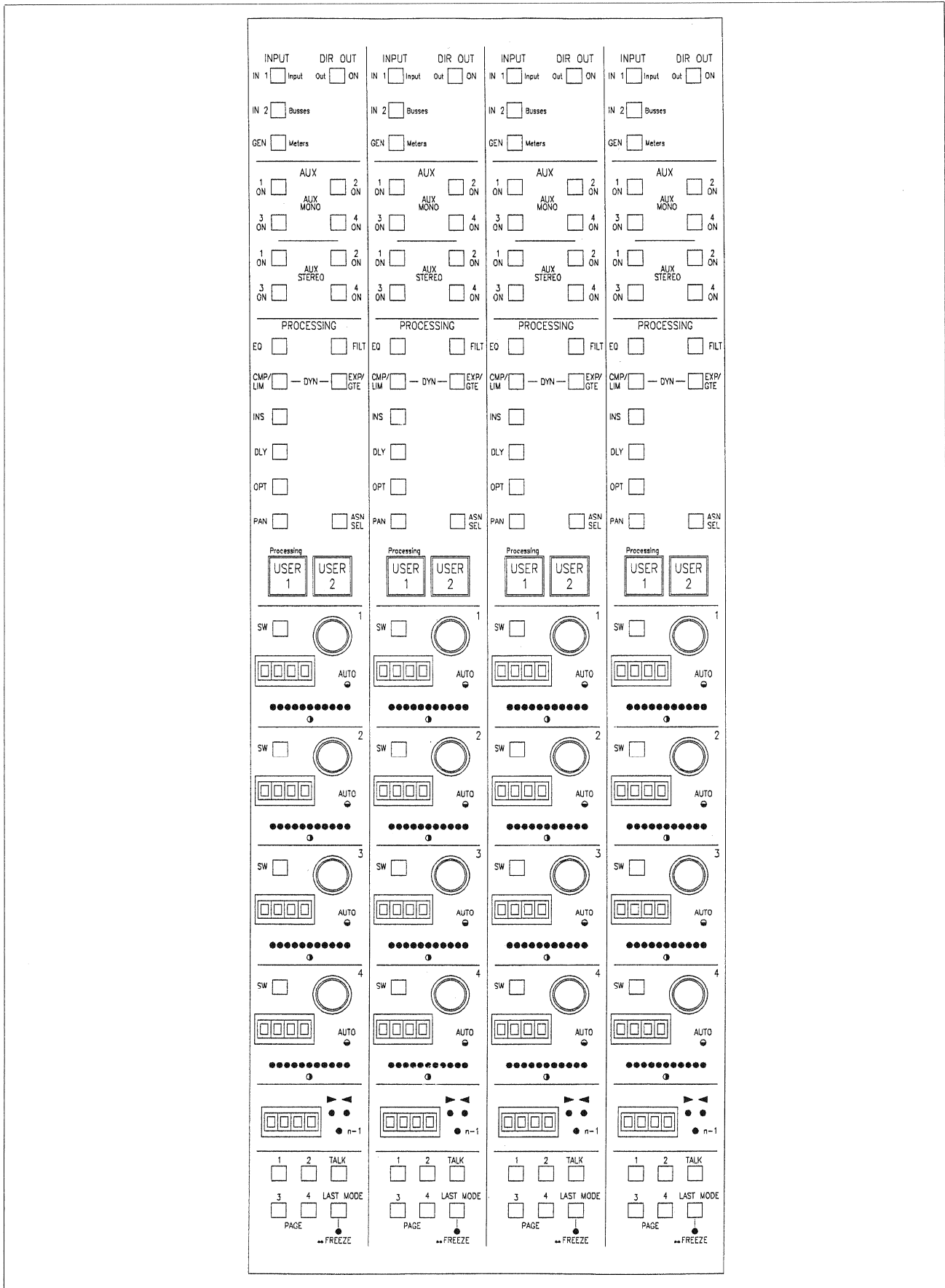
4CH Input/Output Unit

I.950.755.20 / I.950.758.20

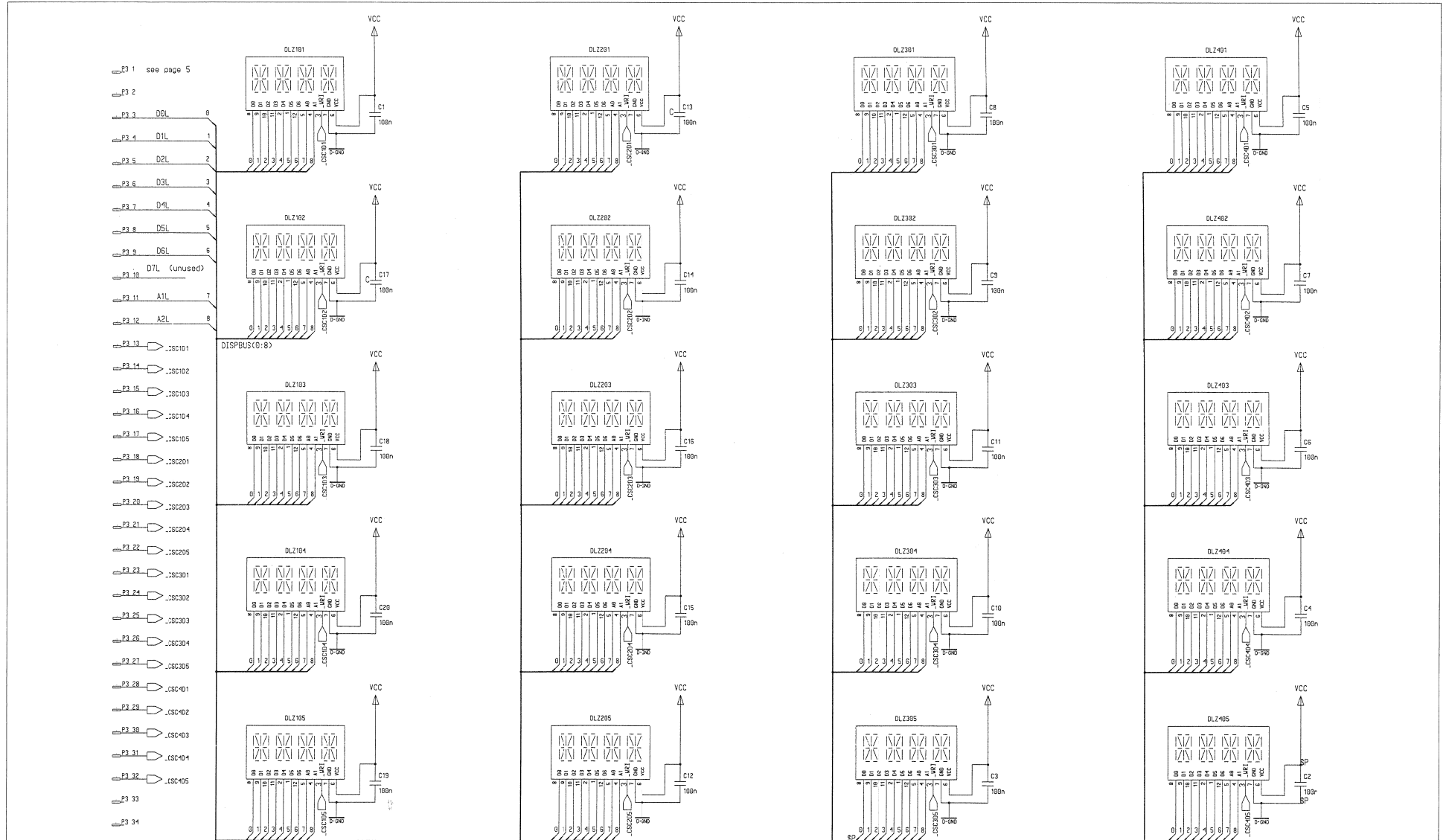


SC: Schema Circuit Diagram
BP: Bestückungsplan PCB Layout
PL: Positionenliste Positional List

4CH Input / Output Unit 1.950.755.20



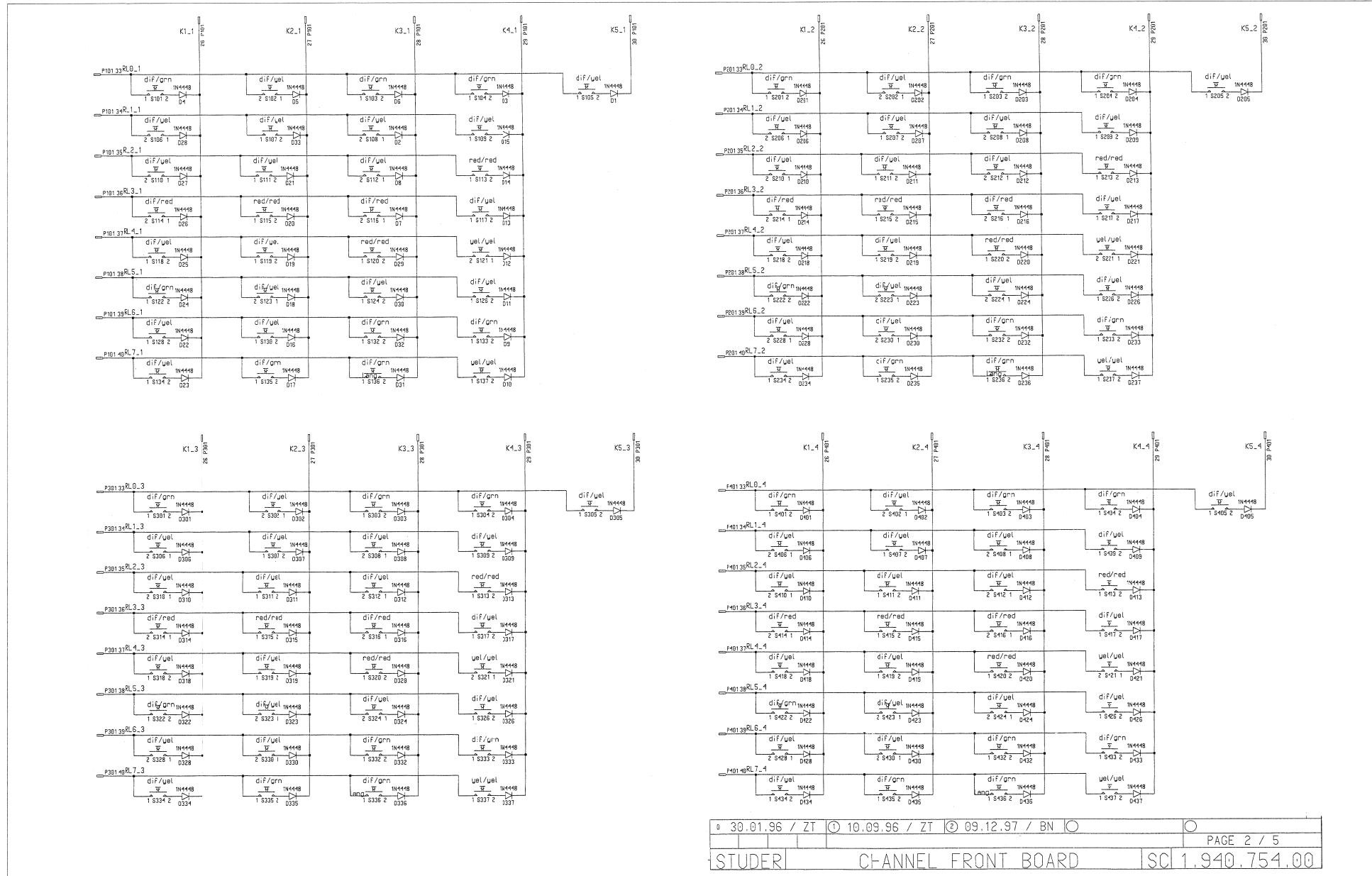
Channel Front Board 1.940.754.00



8	30.01.96 / ZT	①	10.09.96 / ZT	②	09.12.97 / BN	○	
							PAGE 1 / 5
STUDER			CHANNEL FRONT BOARD			SCI 1.940.754.00	

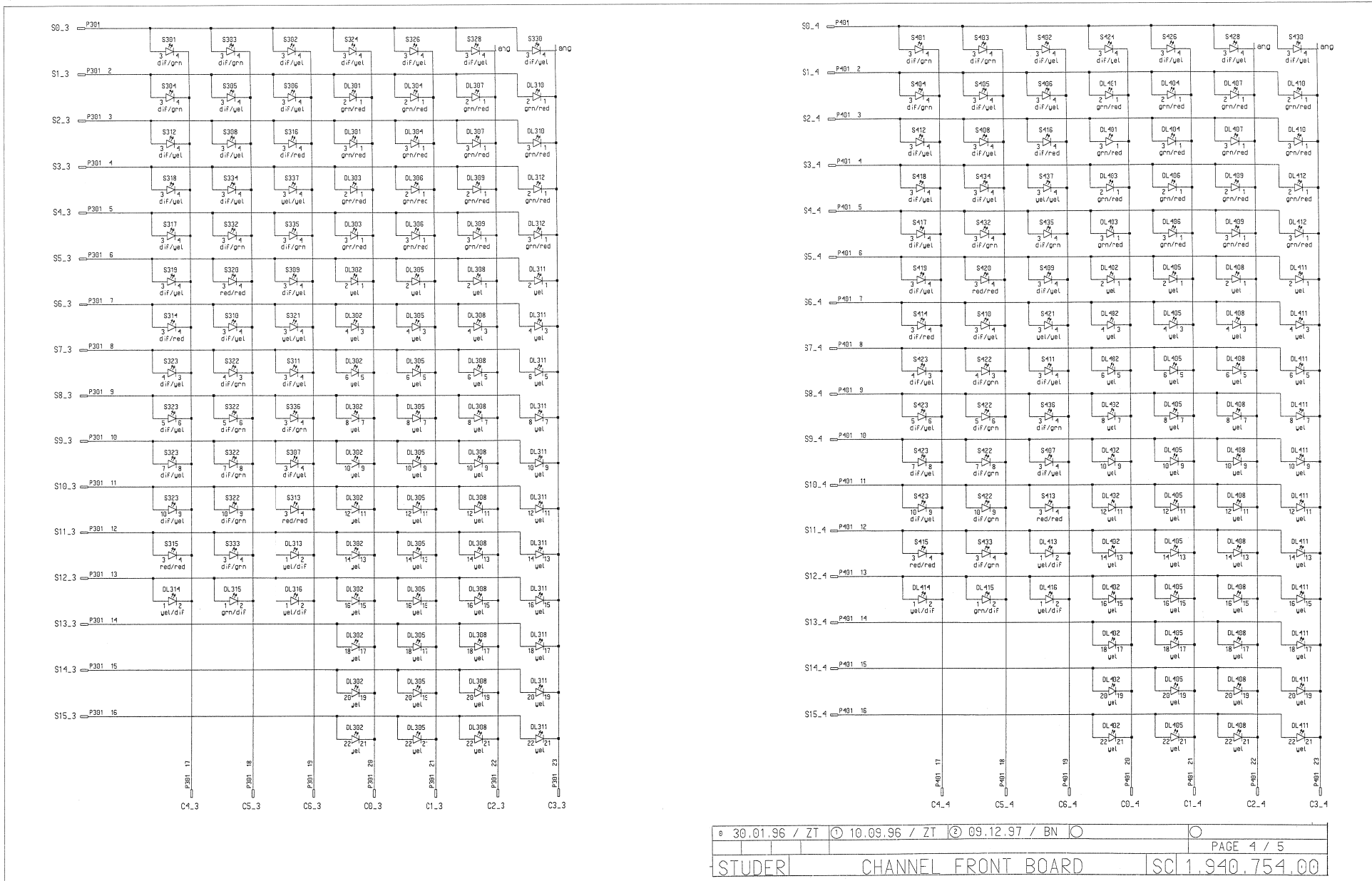


Channel Front Board 1.940.754.00



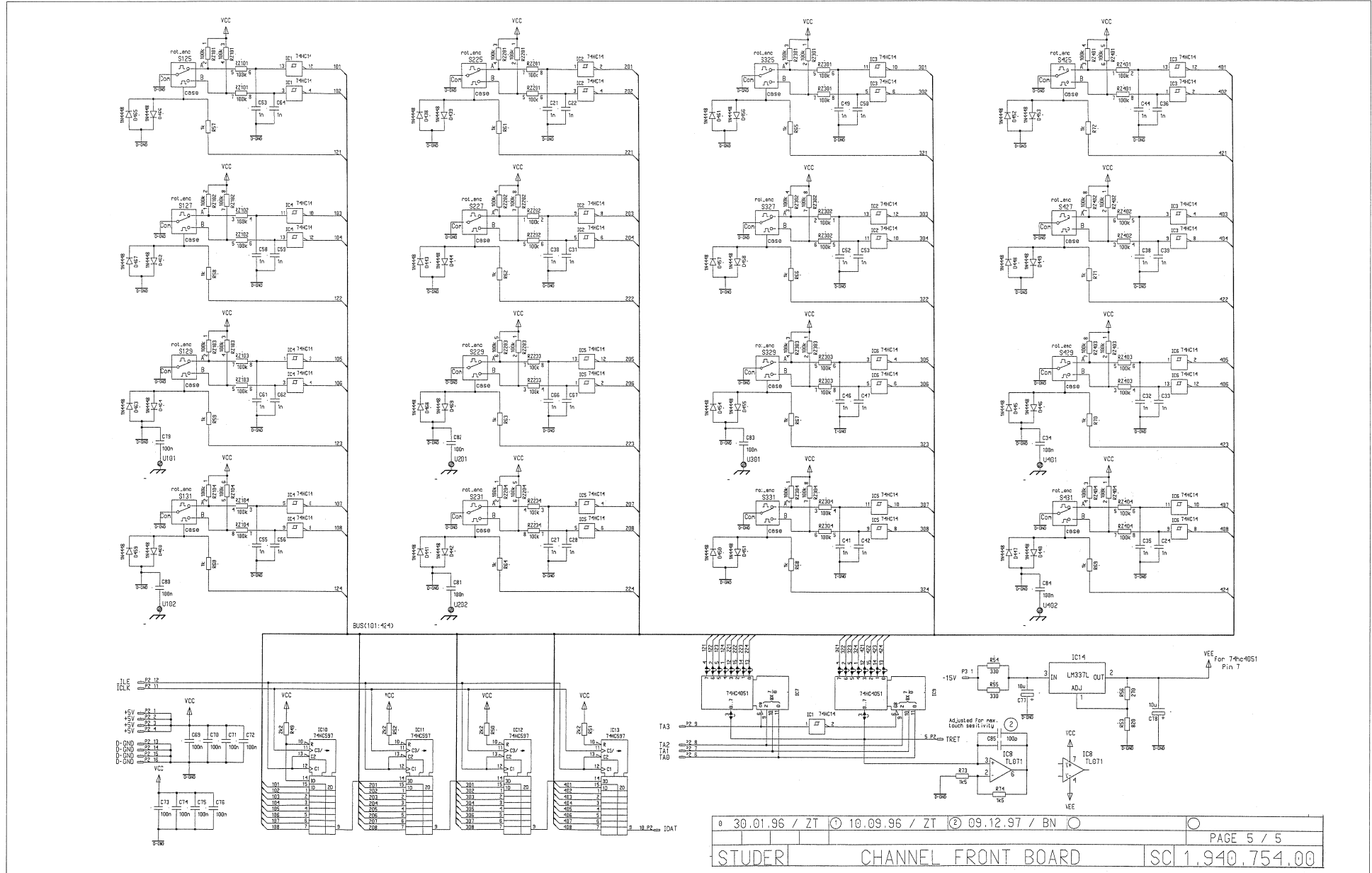


Channel Front Board 1.940.754.00





Channel Front Board 1.940.754.00





Channel Front Board I.950.754.00

Idx	Pos.	Part No.	Qty.	Type/Val.	Description	Idx	Pos.	Part No.	Qty.	Type/Val.	Description
0	MP 5	1.010.091.23	mp		DISTANZSCHEIBE D 9.0/12* 1.2	0	S 121	55.15.0644	1*a		S TASTE 1*A, 5MM, GB/GB
0	MP 6	1.010.091.23	mp		DISTANZSCHEIBE D 9.0/12* 1.2	0	S 122	55.15.0705	1*a		S TASTE 1*A, 12MM, GN/TRANS
0	MP 7	1.010.091.23	mp		DISTANZSCHEIBE D 9.0/12* 1.2	0	S 123	55.15.0704	1*a		S TASTE 1*A, 12MM, GB/TRANS
0	MP 8	1.010.091.23	mp		DISTANZSCHEIBE D 9.0/12* 1.2	0	S 124	55.15.0604	1*a		S TASTE 1*A, 5MM, GB/TRANS
0	MP 9	1.010.091.23	mp		DISTANZSCHEIBE D 9.0/12* 1.2	0	S 125	1.940.751.02			ROTARY ENCODER
0	MP 10	1.010.091.23	mp		DISTANZSCHEIBE D 9.0/12* 1.2	0	S 126	55.15.0604	1*a		S TASTE 1*A, 5MM, GB/TRANS
0	MP 11	1.010.091.23	mp		DISTANZSCHEIBE D 9.0/12* 1.2	0	S 127	1.940.751.02			ROTARY ENCODER
0	MP 12	1.010.091.23	mp		DISTANZSCHEIBE D 9.0/12* 1.2	0	S 128	55.15.0604	1*a		S TASTE 1*A, 5MM, GB/TRANS
0	MP 13	1.010.091.23	mp		DISTANZSCHEIBE D 9.0/12* 1.2	0	S 129	1.940.751.02			ROTARY ENCODER
0	MP 14	1.010.091.23	mp		DISTANZSCHEIBE D 9.0/12* 1.2	0	S 130	55.15.0604	1*a		S TASTE 1*A, 5MM, GB/TRANS
0	MP 15	1.010.091.23	mp		DISTANZSCHEIBE D 9.0/12* 1.2	0	S 131	1.940.751.02			ROTARY ENCODER
0	MP 16	1.010.091.23	mp		DISTANZSCHEIBE D 9.0/12* 1.2	0	S 132	55.15.0605	1*a		S TASTE 1*A, 5MM, GN/TRANS
0	MP 17	1.940.751.11	mp		CHANNEL FRONT PCB //\	0	S 133	55.15.0605	1*a		S TASTE 1*A, 5MM, GN/TRANS
0	MP 18	43.01.0108	mp	Label	ESE-WARNSCHILD	0	S 134	55.15.0622	1*a		S TASTE 1*A, 5MM, RT/RT
0	MP 19	1.950.754.04	mp		NR. ETIKETTE 5 * 20	0	S 135	55.15.0605	1*a		S TASTE 1*A, 5MM, GN/TRANS
0						0	S 136	55.15.0605	1*a		S TASTE 1*A, 5MM, GN/TRANS
0	P 2	54.14.2002	16p		1/20" Au, gerade, ohne Verrieg	0	S 137	55.15.0644	1*a		S TASTE 1*A, 5MM, GB/GB
0	P 3	54.16.0534	34p		P 1/40", 34 P, AU, PRINT	0	S 201	55.15.0605	1*a		S TASTE 1*A, 5MM, GN/TRANS
0	P 101	54.16.0540	40p		P 1/40", 40 P, AU, PRINT	0	S 202	55.15.0604	1*a		S TASTE 1*A, 5MM, GB/TRANS
0	P 201	54.16.0540	40p		P 1/40", 40 P, AU, PRINT	0	S 203	55.15.0605	1*a		S TASTE 1*A, 5MM, GN/TRANS
0	P 301	54.16.0540	40p		P 1/40", 40 P, AU, PRINT	0	S 204	55.15.0605	1*a		S TASTE 1*A, 5MM, GN/TRANS
0	P 401	54.16.0540	40p		P 1/40", 40 P, AU, PRINT	0	S 205	55.15.0604	1*a		S TASTE 1*A, 5MM, GB/TRANS
0						0	S 206	55.15.0604	1*a		S TASTE 1*A, 5MM, GB/TRANS
0	R 49	57.11.3222	2k2		MF, 1%, 0207	0	S 207	55.15.0604	1*a		S TASTE 1*A, 5MM, GB/TRANS
0	R 50	57.11.3222	2k2		MF, 1%, 0207	0	S 208	55.15.0604	1*a		S TASTE 1*A, 5MM, GB/TRANS
0	R 51	57.11.3222	2k2		MF, 1%, 0207	0	S 209	55.15.0605	1*a		S TASTE 1*A, 5MM, GN/TRANS
0	R 52	57.11.3222	2k2		MF, 1%, 0207	0	S 210	55.15.0605	1*a		S TASTE 1*A, 5MM, GN/TRANS
0	R 53	57.11.3821	820R		MF, 1%, 0207	0	S 211	55.15.0605	1*a		S TASTE 1*A, 5MM, GN/TRANS
0	R 54	57.11.3331	330R		MF, 1%, 0207	0	S 212	55.15.0605	1*a		S TASTE 1*A, 5MM, GN/TRANS
0	R 55	57.11.3331	330R		MF, 1%, 0207	0	S 213	55.15.0602	1*a		S TASTE 1*A, 5MM, RT/TRANS
0	R 56	57.11.3271	270R		MF, 1%, 0207	0	S 214	55.15.0605	1*a		S TASTE 1*A, 5MM, GN/TRANS
0	R 57	57.11.3102	1k0		MF, 1%, 0207	0	S 215	55.15.0602	1*a		S TASTE 1*A, 5MM, RT/TRANS
0	R 58	57.11.3102	1k0		MF, 1%, 0207	0	S 216	55.15.0605	1*a		S TASTE 1*A, 5MM, GN/TRANS
0	R 59	57.11.3102	1k0		MF, 1%, 0207	0	S 217	55.15.0604	1*a		S TASTE 1*A, 5MM, GB/TRANS
0	R 60	57.11.3102	1k0		MF, 1%, 0207	0	S 218	55.15.0604	1*a		S TASTE 1*A, 5MM, GB/TRANS
0	R 61	57.11.3102	1k0		MF, 1%, 0207	0	S 219	55.15.0604	1*a		S TASTE 1*A, 5MM, GB/TRANS
0	R 62	57.11.3102	1k0		MF, 1%, 0207	0	S 220	55.15.0604	1*a		S TASTE 1*A, 5MM, GB/TRANS
0	R 63	57.11.3102	1k0		MF, 1%, 0207	0	S 221	55.15.0644	1*a		S TASTE 1*A, 5MM, GB/GB
0	R 64	57.11.3102	1k0		MF, 1%, 0207	0	S 222	55.15.0705	1*a		S TASTE 1*A, 12MM, GN/TRANS
0	R 65	57.11.3102	1k0		MF, 1%, 0207	0	S 223	55.15.0704	1*a		S TASTE 1*A, 12MM, GB/TRANS
0	R 66	57.11.3102	1k0		MF, 1%, 0207	0	S 224	55.15.0604	1*a		S TASTE 1*A, 5MM, GB/TRANS
0	R 67	57.11.3102	1k0		MF, 1%, 0207	0	S 225	1.940.751.02			ROTARY ENCODER
0	R 68	57.11.3102	1k0		MF, 1%, 0207	0	S 226	55.15.0604	1*a		S TASTE 1*A, 5MM, GB/TRANS
0	R 69	57.11.3102	1k0		MF, 1%, 0207	0	S 227	1.940.751.02			ROTARY ENCODER
0	R 70	57.11.3102	1k0		MF, 1%, 0207	0	S 228	55.15.0604	1*a		S TASTE 1*A, 5MM, GB/TRANS
0	R 71	57.11.3102	1k0		MF, 1%, 0207	0	S 229	1.940.751.02			ROTARY ENCODER
0	R 72	57.11.3102	1k0		MF, 1%, 0207	0	S 230	55.15.0604	1*a		S TASTE 1*A, 5MM, GB/TRANS
0	R 73	57.11.3152	1k5		MF, 1%, 0207	0	S 232	55.15.0605	1*a		S TASTE 1*A, 5MM, GN/TRANS
0	R 74	57.11.3152	1k5		MF, 1%, 0207	0	S 233	55.15.0605	1*a		S TASTE 1*A, 5MM, GN/TRANS
0						0	S 234	55.15.0622	1*a		S TASTE 1*A, 5MM, RT/RT
0						0	S 235	55.15.0605	1*a		S TASTE 1*A, 5MM, GN/TRANS
0	RZ 101	57.88.2104	4*100k		2%, SIP 8	0	S 236	55.15.0605	1*a		S TASTE 1*A, 5MM, GN/TRANS
0	RZ 102	57.88.2104	4*100k		2%, SIP 8	0	S 237	55.15.0644	1*a		S TASTE 1*A, 5MM, GB/GB
0	RZ 103	57.88.2104	4*100k		2%, SIP 8	0	S 301	55.15.0605	1*a		S TASTE 1*A, 5MM, GN/TRANS
0	RZ 104	57.88.2104	4*100k		2%, SIP 8	0	S 302	55.15.0604	1*a		S TASTE 1*A, 5MM, GB/TRANS
0	RZ 201	57.88.2104	4*100k		2%, SIP 8	0	S 303	55.15.0605	1*a		S TASTE 1*A, 5MM, GN/TRANS
0	RZ 202	57.88.2104	4*100k		2%, SIP 8	0	S 304	55.15.0605	1*a		S TASTE 1*A, 5MM, GN/TRANS
0	RZ 203	57.88.2104	4*100k		2%, SIP 8	0	S 305	55.15.0604	1*a		S TASTE 1*A, 5MM, GB/TRANS
0	RZ 204	57.88.2104	4*100k		2%, SIP 8	0	S 306	55.15.0604	1*a		S TASTE 1*A, 5MM, GB/TRANS
0	RZ 301	57.88.2104	4*100k		2%, SIP 8	0	S 307	55.15.0604	1*a		S TASTE 1*A, 5MM, GB/TRANS
0	RZ 302	57.88.2104	4*100k		2%, SIP 8	0	S 308	55.15.0604	1*a		S TASTE 1*A, 5MM, GB/TRANS
0	RZ 303	57.88.2104	4*100k		2%, SIP 8	0	S 309	55.15.0605	1*a		S TASTE 1*A, 5MM, GN/TRANS
0	RZ 304	57.88.2104	4*100k		2%, SIP 8	0	S 310	55.15.0605	1*a		S TASTE 1*A, 5MM, GN/TRANS
0	RZ 401	57.88.2104	4*100k		2%, SIP 8	0	S 311	55.15.0605	1*a		S TASTE 1*A, 5MM, GN/TRANS
0	RZ 402	57.88.2104	4*100k		2%, SIP 8	0	S 312	55.15.0605	1*a		S TASTE 1*A, 5MM, GN/TRANS
0	RZ 403	57.88.2104	4*100k		2%, SIP 8	0	S 313	55.15.0602	1*a		S TASTE 1*A, 5MM, RT/TRANS
0	RZ 404	57.88.2104	4*100k		2%, SIP 8	0	S 314	55.15.0605	1*a		S TASTE 1*A, 5MM, GN/TRANS
0						0	S 315	55.15.0602	1*a		S TASTE 1*A, 5MM, RT/TRANS
0	S 101	55.15.0605	1*a		S TASTE 1*A, 5MM, GN/TRANS	0	S 316	55.15.0605	1*a		S TASTE 1*A, 5MM, GN/TRANS
0	S 102	55.15.0604	1*a		S TASTE 1*A, 5MM, GB/TRANS	0	S 317	55.15.0604	1*a		S TASTE 1*A, 5MM, GB/TRANS
0	S 103	55.15.0605	1*a		S TASTE 1*A, 5MM, GN/TRANS	0	S 318	55.15.0604	1*a		S TASTE 1*A, 5MM, GB/TRANS
0	S 104	55.15.0605	1*a		S TASTE 1*A, 5MM, GN/TRANS	0	S 319	55.15.0604	1*a		S TASTE 1*A, 5MM, GB/TRANS
0	S 105	55.15.0604	1*a		S TASTE 1*A, 5MM, GB/TRANS	0	S 320	55.15.0604	1*a		S TASTE 1*A, 5MM, GB/TRANS
0	S 106	55.15.0604	1*a		S TASTE 1*A, 5MM, GB/TRANS	0	S 321	55.15.0644	1*a		S TASTE 1*A, 5MM, GB/GB
0	S 107	55.15.0604	1*a		S TASTE 1*A, 5MM, GB/TRANS	0	S 322	55.15.0705	1*a		S TASTE 1*A, 12MM, GN/TRANS
0	S 108	55.15.0604	1*a		S TASTE 1*A, 5MM, GB/TRANS	0	S 323	55.15.0704	1*a		S TASTE 1*A, 12MM, GB/TRANS
0	S 109	55.15.0605	1*a		S TASTE 1*A, 5MM, GN/TRANS	0	S 324	55.15.0904	1*a		S TASTE 1*A, 5MM, GB/TRANS
0	S 110	55.15.0605	1*a		S TASTE 1*A, 5MM, GN/TRANS	0	S 326	55.15.0604	1*a		S TASTE 1*A, 5MM, GB/TRANS
0	S 111	55.15.0605	1*a		S TASTE 1*A, 5MM, GN/TRANS	0	S 328	55.15.0604	1*a		S TASTE 1*A, 5MM, GB/TRANS
0	S 112	55.15.0605	1*a		S TASTE 1*A, 5MM, GN/TRANS	0	S 330	55.15.0604	1*a		S TASTE 1*A, 5MM, GB/TRANS
0	S 113	55.15.0602	1*a		S TASTE 1*A, 5MM, RT/TRANS	0	S 332	55.15.0605	1*a		S TASTE 1*A, 5MM, GN/TRANS
0	S 114	55.15.0605	1*a		S TASTE 1*A, 5MM, GN/TRANS	0	S 333	55.15.0605	1*a		S TASTE 1*A, 5MM, GN/TRANS
0	S 115	55.15.0602	1*a		S TASTE 1*A, 5MM, RT/TRANS	0	S 334	55.15.0622	1*a		S TASTE 1*A, 5MM, RT/RT
0	S 116	55.15.0605	1*a		S TASTE 1*A, 5MM, GN/TRANS	0	S 335	55.15.0605	1*a		S TASTE 1*A, 5MM, GN/TRANS
0	S 117	55.15.0604	1*a		S TASTE 1*A, 5MM, GB/TRANS	0	S 336	55.15.0605	1*a		S TASTE 1*A, 5MM, GN/TRANS
0	S 118	55.15.0604	1*a		S TASTE 1*A, 5MM, GB/TRANS	0	S 337	55.15.0644	1*a		S TASTE 1*A, 5MM, GB/GB
0	S 119	55.15.0604	1*a		S TASTE 1*A, 5MM, GB/TRANS	0	S 401	55.15.0605	1*a		S TASTE 1*A, 5MM, GN/TRANS
0	S 120	55.15.0604	1*a		S TASTE 1*A, 5MM, GB/TRANS						



Channel Front Board 1.950.754.00

Idx	Pos.	Part No.	Qty.	Type/Val.	Description
0	S 402	55.15.0604	1*a	S	TASTE 1*A, 5MM, GB/TRANS
0	S 403	55.15.0605	1*a	S	TASTE 1*A, 5MM, GN/TRANS
0	S 404	55.15.0605	1*a	S	TASTE 1*A, 5MM, GN/TRANS
0	S 405	55.15.0604	1*a	S	TASTE 1*A, 5MM, GB/TRANS
0	S 406	55.15.0604	1*a	S	TASTE 1*A, 5MM, GB/TRANS
0	S 407	55.15.0604	1*a	S	TASTE 1*A, 5MM, GB/TRANS
0	S 408	55.15.0604	1*a	S	TASTE 1*A, 5MM, GB/TRANS
0	S 409	55.15.0605	1*a	S	TASTE 1*A, 5MM, GN/TRANS
0	S 410	55.15.0605	1*a	S	TASTE 1*A, 5MM, GN/TRANS
0	S 411	55.15.0605	1*a	S	TASTE 1*A, 5MM, GN/TRANS
0	S 412	55.15.0605	1*a	S	TASTE 1*A, 5MM, GN/TRANS
0	S 413	55.15.0602	1*a	S	TASTE 1*A, 5MM, RT/TRANS
0	S 414	55.15.0605	1*a	S	TASTE 1*A, 5MM, GN/TRANS
0	S 415	55.15.0602	1*a	S	TASTE 1*A, 5MM, RT/TRANS
0	S 416	55.15.0605	1*a	S	TASTE 1*A, 5MM, GN/TRANS
0	S 417	55.15.0604	1*a	S	TASTE 1*A, 5MM, GB/TRANS
0	S 418	55.15.0604	1*a	S	TASTE 1*A, 5MM, GB/TRANS
0	S 419	55.15.0604	1*a	S	TASTE 1*A, 5MM, GB/TRANS
0	S 420	55.15.0604	1*a	S	TASTE 1*A, 5MM, GB/TRANS
0	S 421	55.15.0644	1*a	S	TASTE 1*A, 5MM, GB/GB
0	S 422	55.15.0705	1*a	S	TASTE 1*A, 12MM, GN/TRANS
0	S 423	55.15.0704	1*a	S	TASTE 1*A, 12MM, GB/TRANS
0	S 424	55.15.0604	1*a	S	TASTE 1*A, 5MM, GB/TRANS
0	S 426	55.15.0604	1*a	S	TASTE 1*A, 5MM, GB/TRANS
0	S 428	55.15.0604	1*a	S	TASTE 1*A, 5MM, GB/TRANS
0	S 430	55.15.0604	1*a	S	TASTE 1*A, 5MM, GB/TRANS
0	S 431	1.940.751.02			ROTARY ENCODER
0	S 432	55.15.0605	1*a	S	TASTE 1*A, 5MM, GN/TRANS
0	S 433	55.15.0605	1*a	S	TASTE 1*A, 5MM, GN/TRANS
0	S 434	55.15.0622	1*a	S	TASTE 1*A, 5MM, RT/RT
0	S 435	55.15.0605	1*a	S	TASTE 1*A, 5MM, GN/TRANS
0	S 436	55.15.0605	1*a	S	TASTE 1*A, 5MM, GN/TRANS
0	S 437	55.15.0644	1*a	S	TASTE 1*A, 5MM, GB/GB
0	XIC 1	53.03.0218	1p		single-in-line
0	XLE 1	53.03.0240			XLED SINGLE LINE, 2 POL. PRINT

—End of List—

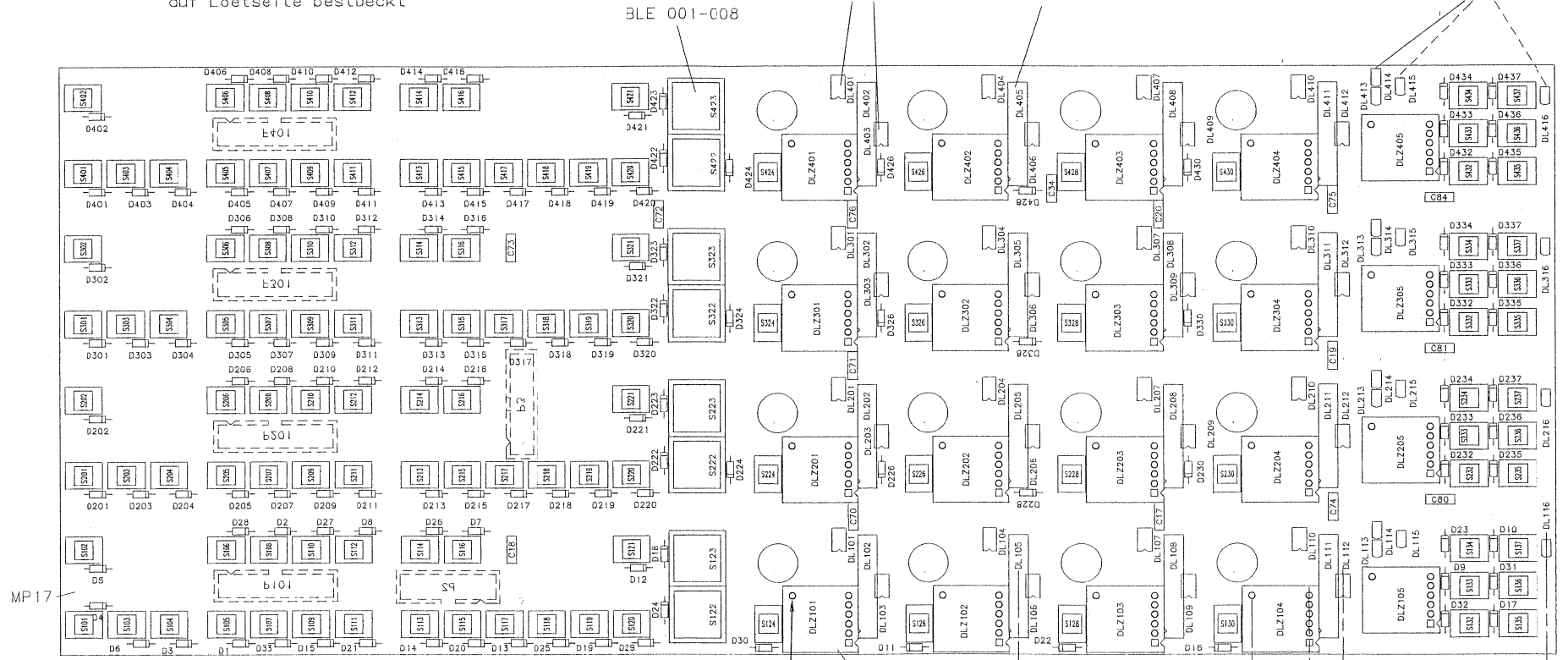
Comments

C85 has been changed to 100pF. Parallel cap to C85 for proper touch sensitivity is factory adjusted.

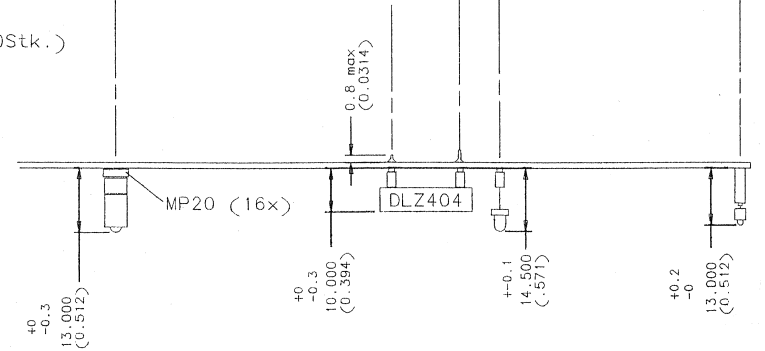


Channel Front Board 1.950.759.00

P2, P3, P101, P201, P301, P401
auf Lotseite bestueckt



DLZ101...DLZ104 Pin7,
DLZ201...DLZ204 Pin7,
DLZ301...DLZ304 Pin7,
DLZ401...DLZ404 Pin7,
oberhalb der Lotstelle auf eine
Hoehe von max.0,8mm
abgeschnitten.



STUDER REGENSDORF	Description CHANNEL FRONT BOARD "ESE"	Drawing Number 1.950.759.00	Rev. No.	Modif. Function	Appr.
			26.11.99	ZT	
Copy to:	File	Vis	Desk	Spec	Index
Kopie fuer:	Coz.	Coz.	Coz.	Coz.	Coz.



Channel Front Board 1.950.759.00

Idx	Pos.	Part No.	Qty.	Type/Val.	Description	Idx	Pos.	Part No.	Qty.	Type/Val.	Description	Idx	Pos.	Part No.	Qty.	Type/Val.	Description	Idx	Pos.	Part No.	Qty.	Type/Val.	Description	
0	BLE 1	55.15.0799		neutral	Blende transparent	0	D 223	50.04.0125		N4448	75V, 150mA, 4ns, DO-35	0	DL 103	50.04.2203		DL VRGB - 3312 X	RT/GN	0	DLZ 303	73.01.0406		4digit	5*7 Dot matrix display	
0	BLE 2	55.15.0799		neutral	Blende transparent	0	D 224	50.04.0125		N4448	75V, 150mA, 4ns, DO-35	0	DL 104	50.04.2203		DL VRGB - 3312 X	RT/GN	0	DLZ 304	73.01.0406		4digit	5*7 Dot matrix display	
0	BLE 3	55.15.0799		neutral	Blende transparent	0	D 228	50.04.0125		N4448	75V, 150mA, 4ns, DO-35	0	DL 105	50.04.2210	11*yel	LED-Bargraph 11*yellow		0	DLZ 305	73.01.0406		4digit	5*7 Dot matrix display	
0	BLE 4	55.15.0799		neutral	Blende transparent	0	D 228	50.04.0125		N4448	75V, 150mA, 4ns, DO-35	0	DL 106	50.04.2203		DL VRGB - 3312 X	RT/GN	0	DLZ 401	73.01.0406		4digit	5*7 Dot matrix display	
0	BLE 5	55.15.0799		neutral	Blende transparent	0	D 230	50.04.0125		N4448	75V, 150mA, 4ns, DO-35	0	DL 107	50.04.2203		DL VRGB - 3312 X	RT/GN	0	DLZ 402	73.01.0406		4digit	5*7 Dot matrix display	
0	BLE 6	55.15.0799		neutral	Blende transparent	0	D 232	50.04.0125		N4448	75V, 150mA, 4ns, DO-35	0	DL 108	50.04.2812	11*yel	LED-Bargraph 11*yellow		0	DLZ 403	73.01.0406		4digit	5*7 Dot matrix display	
0	BLE 7	55.15.0799		neutral	Blende transparent	0	D 233	50.04.0125		N4448	75V, 150mA, 4ns, DO-35	0	DL 109	50.04.2203		DL VRGB - 3312 X	RT/GN	0	DLZ 404	73.01.0406		4digit	5*7 Dot matrix display	
0	BLE 8	55.15.0799		neutral	Blende transparent	0	D 234	50.04.0125		N4448	75V, 150mA, 4ns, DO-35	0	DL 110	50.04.2203		DL VRGB - 3312 X	RT/GN	0	DLZ 405	73.01.0406		4digit	5*7 Dot matrix display	
0	C 17	59.06.0104		100n	PETP, 63V, 10%, RM5	0	D 235	50.04.0125		N4448	75V, 150mA, 4ns, DO-35	0	DL 111	50.04.2812	11*yel	LED-Bargraph 11*yellow		0	MP 17	1.940.751.11		mp	CHANNEL FRONT PCB //A	
0	C 18	59.06.0104		100n	PETP, 63V, 10%, RM5	0	D 236	50.04.0125		N4448	75V, 150mA, 4ns, DO-35	0	DL 112	50.04.2203		DL VRGB - 3312 X	RT/GN	0	MP 18	43.01.0108		mp	ESE-WARNSCHILD	
0	C 19	59.06.0104		100n	PETP, 63V, 10%, RM5	0	D 237	50.04.0125		N4448	75V, 150mA, 4ns, DO-35	0	DL 113	50.04.2133		TLUY 2401	DL TLUY 2401	GB MATT	0	MP 19	1.950.759.10		mp	NR. ETIKETTE 5 * 20
0	C 20	59.06.0104		100n	PETP, 63V, 10%, RM5	0	D 301	50.04.0125		N4448	75V, 150mA, 4ns, DO-35	0	DL 114	50.04.2133		TLUY 2401	DL TLUY 2401	GB MATT	0	MP 20	1.950.754.01		16 pcs	UNTERLAGE
0	C 34	59.06.0104		100n	PETP, 63V, 10%, RM5	0	D 302	50.04.0125		N4448	75V, 150mA, 4ns, DO-35	0	DL 115	50.04.2132		TLUY 2401	DL TLUY 2401	GN MATT	0	P 2	54.14.2002		16p	1/20" Au, gerade, ohne Verrieg
0	C 69	59.06.0104		100n	PETP, 63V, 10%, RM5	0	D 303	50.04.0125		N4448	75V, 150mA, 4ns, DO-35	0	DL 116	50.04.2132		TLUY 2401	DL TLUY 2401	GB MATT	0	P 3	54.16.0534		34p	1/40" PCB-con male, Au
0	C 70	59.06.0104		100n	PETP, 63V, 10%, RM5	0	D 304	50.04.0125		N4448	75V, 150mA, 4ns, DO-35	0	DL 201	50.04.2203		DL VRGB - 3312 X	RT/GN	0	P 101	54.16.0540		40p	1/40" PCB-con male, Au	
0	C 71	59.06.0104		100n	PETP, 63V, 10%, RM5	0	D 305	50.04.0125		N4448	75V, 150mA, 4ns, DO-35	0	DL 202	50.04.2812	11*yel	LED-Bargraph 11*yellow		0	P 201	54.16.0540		40p	1/40" PCB-con male, Au	
0	C 72	59.06.0104		100n	PETP, 63V, 10%, RM5	0	D 306	50.04.0125		N4448	75V, 150mA, 4ns, DO-35	0	DL 203	50.04.2203		DL VRGB - 3312 X	RT/GN	0	P 301	54.16.0540		40p	1/40" PCB-con male, Au	
0	C 73	59.06.0104		100n	PETP, 63V, 10%, RM5	0	D 307	50.04.0125		N4448	75V, 150mA, 4ns, DO-35	0	DL 204	50.04.2203		DL VRGB - 3312 X	RT/GN	0	P 401	54.16.0540		40p	1/40" PCB-con male, Au	
0	C 74	59.06.0104		100n	PETP, 63V, 10%, RM5	0	D 308	50.04.0125		N4448	75V, 150mA, 4ns, DO-35	0	DL 205	50.04.2812	11*yel	LED-Bargraph 11*yellow		0	S 101	55.15.0605		1*α	Switch 5mm, gnr/transparent	
0	C 75	59.06.0104		100n	PETP, 63V, 10%, RM5	0	D 309	50.04.0125		N4448	75V, 150mA, 4ns, DO-35	0	DL 206	50.04.2203		DL VRGB - 3312 X	RT/GN	0	S 102	55.15.0604		1*α	Switch 5mm, gnr/transparent	
0	C 76	59.06.0104		100n	PETP, 63V, 10%, RM5	0	D 310	50.04.0125		N4448	75V, 150mA, 4ns, DO-35	0	DL 207	50.04.2203		DL VRGB - 3312 X	RT/GN	0	S 103	55.15.0605		1*α	Switch 5mm, gnr/transparent	
0	C 80	59.06.0104		100n	PETP, 63V, 10%, RM5	0	D 311	50.04.0125		N4448	75V, 150mA, 4ns, DO-35	0	DL 208	50.04.2812	11*yel	LED-Bargraph 11*yellow		0	S 104	55.15.0605		1*α	Switch 5mm, gnr/transparent	
0	C 81	59.06.0104		100n	PETP, 63V, 10%, RM5	0	D 312	50.04.0125		N4448	75V, 150mA, 4ns, DO-35	0	DL 209	50.04.2203		DL VRGB - 3312 X	RT/GN	0	S 105	55.15.0604		1*α	Switch 5mm, gnr/transparent	
0	C 84	59.06.0104		100n	PETP, 63V, 10%, RM5	0	D 313	50.04.0125		N4448	75V, 150mA, 4ns, DO-35	0	DL 210	50.04.2203		DL VRGB - 3312 X	RT/GN	0	S 106	55.15.0604		1*α	Switch 5mm, gnr/transparent	
0	D 1	50.04.0125		N4448	75V, 150mA, 4ns, DO-35	0	D 314	50.04.0125		N4448	75V, 150mA, 4ns, DO-35	0	DL 211	50.04.2812	11*yel	LED-Bargraph 11*yellow		0	S 107	55.15.0604		1*α	Switch 5mm, gnr/transparent	
0	D 2	50.04.0125		N4448	75V, 150mA, 4ns, DO-35	0	D 315	50.04.0125		N4448	75V, 150mA, 4ns, DO-35	0	DL 212	50.04.2203		DL VRGB - 3312 X	RT/GN	0	S 108	55.15.0604		1*α	Switch 5mm, gnr/transparent	
0	D 3	50.04.0125		N4448	75V, 150mA, 4ns, DO-35	0	D 316	50.04.0125		N4448	75V, 150mA, 4ns, DO-35	0	DL 213	50.04.2132	TLUY 2401	DL TLUY 2401	GB MATT	0	S 109	55.15.0604		1*α	Switch 5mm, gnr/transparent	
0	D 4	50.04.0125		N4448	75V, 150mA, 4ns, DO-35	0	D 317	50.04.0125		N4448	75V, 150mA, 4ns, DO-35	0	DL 214	50.04.2132	TLUY 2401	DL TLUY 2401	GN MATT	0	S 110	55.15.0605		1*α	Switch 5mm, gnr/transparent	
0	D 5	50.04.0125		N4448	75V, 150mA, 4ns, DO-35	0	D 318	50.04.0125		N4448	75V, 150mA, 4ns, DO-35	0	DL 215	50.04.2132	TLUY 2401	DL TLUY 2401	GN MATT	0	S 111	55.15.0605		1*α	Switch 5mm, gnr/transparent	
0	D 6	50.04.0125		N4448	75V, 150mA, 4ns, DO-35	0	D 319	50.04.0125		N4448	75V, 150mA, 4ns, DO-35	0	DL 216	50.04.2133	TLUY 2401	DL TLUY 2401	GB MATT	0	S 112	55.15.0605		1*α	Switch 5mm, gnr/transparent	
0	D 7	50.04.0125		N4448	75V, 150mA, 4ns, DO-35	0	D 320	50.04.0125		N4448	75V, 150mA, 4ns, DO-35	0	DL 301	50.04.2203		DL VRGB - 3312 X	RT/GN	0	S 113	55.15.0602		1*α	Switch 5mm, red/transparent	
0	D 8	50.04.0125		N4448	75V, 150mA, 4ns, DO-35	0	D 321	50.04.0125		N4448	75V, 150mA, 4ns, DO-35	0	DL 302	50.04.2812	11*yel	LED-Bargraph 11*yellow		0	S 114	55.15.0605		1*α	Switch 5mm, gnr/transparent	
0	D 8	50.04.0125		N4448	75V, 150mA, 4ns, DO-35	0	D 322	50.04.0125		N4448	75V, 150mA, 4ns, DO-35	0	DL 303	50.04.2203		DL VRGB - 3312 X	RT/GN	0	S 115	55.15.0602		1*α	Switch 5mm, red/transparent	
0	D 9	50.04.0125		N4448	75V, 150mA, 4ns, DO-35	0	D 323	50.04.0125		N4448	75V, 150mA, 4ns, DO-35	0	DL 304	50.04.2203		DL VRGB - 3312 X	RT/GN	0	S 116	55.15.0605		1*α	Switch 5mm, gnr/transparent	
0	D 10	50.04.0125		N4448	75V, 150mA, 4ns, DO-35	0	D 324	50.04.0125		N4448	75V, 150mA, 4ns, DO-35	0	DL 305	50.04.2812	11*yel	LED-Bargraph 11*yellow		0	S 117	55.15.0604		1*α	Switch 5mm, gnr/transparent	
0	D 11	50.04.0125		N4448	75V, 150mA, 4ns, DO-35	0	D 325	50.04.0125		N4448	75V, 150mA, 4ns, DO-35	0	DL 306	50.04.2203		DL VRGB - 3312 X	RT/GN	0	S 118	55.15.0604		1*α	Switch 5mm, gnr/transparent	
0	D 12	50.04.0125		N4448	75V, 150mA, 4ns, DO-35	0	D 326	50.04.0125		N4448	75V, 150mA, 4ns, DO-35	0	DL 307	50.04.2203		DL VRGB - 3312 X	RT/GN	0	S 119	55.15.0604		1*α	Switch 5mm, gnr/transparent	
0	D 13	50.04.0125		N4448	75V, 150mA, 4ns, DO-35	0	D 328	50.04.0125		N4448	75V, 150mA, 4ns, DO-35	0	DL 308	50.04.2812	11*yel	LED-Bargraph 11*yellow		0	S 120	55.15.0604		1*α	Switch 5mm, gnr/transparent	
0	D 14	50.04.0125		N4448	75V, 150mA, 4ns, DO-35	0	D 330	50.04.0125		N4448	75V, 150mA, 4ns, DO-35	0	DL 309	50.04.2203		DL VRGB - 3312 X	RT/GN	0	S 121	55.15.0644		1*α	Switch 5mm, yel/yel	
0	D 15	50.04.0125		N4448	75V, 150mA, 4ns, DO-35	0	D 331	50.04.0125		N4448	75V, 150mA, 4ns, DO-35	0	DL 310	50.04.2132	11*yel	LED-Bargraph 11*yellow		0	S 122	55.15.0704		1*α	Switch 12mm, gnr/transparent	
0	D 16	50.04.0125		N4448	75V, 150mA, 4ns, DO-35	0	D 332	50.04.0125		N4448	75V, 150mA, 4ns, DO-35	0	DL 311	50.04.2132	TLUY 2401	DL TLUY 2401	GB MATT	0	S 123	55.15.0704		1*α	Switch 12mm, gnr/transparent	
0	D 17	50.04.0125		N4448	75V, 150mA, 4ns, DO-35	0	D 333	50.04.0125		N4448	75V, 150mA, 4ns, DO-35	0	DL 312	50.04.2203		DL VRGB - 3312 X	RT/GN	0	S 124	55.15.0604		1*α	Switch 5mm, gnr/transparent	
0	D 18	50.04.0125		N4448	75V, 150mA, 4ns, DO-35	0	D 334	50.04.0125		N4448	75V, 150mA, 4ns, DO-35	0	DL 313	50.04.2133	TLUY 2401	DL TLUY 2401	GB MATT	0	S 125	55.15.0604		1*α	Switch 5mm, gnr/transparent	
0	D 18	50.04.0125		N4448	75V, 150mA, 4ns, DO-35	0	D 335	50.04.0125		N4448	75V, 150mA, 4ns, DO-35	0	DL 314	50.04.2132	TLUY 2401	DL TLUY 2401	GB MATT	0	S 126	55.15.0604		1*α	Switch 5mm, gnr/transparent	
0	D 19	50.04.0125		N4448	75V, 150mA, 4ns, DO-35	0	D 336	50.04.0125		N4448	75V, 150mA, 4ns, DO-35	0	DL 315	50.04.2132	TLUY 2401	DL TLUY 2401	GN MATT	0	S 128	55.15.0604		1*α	Switch 5mm, gnr/transparent	
0	D 20	50.04.0125		N4448	75V, 150mA, 4ns, DO-35	0	D 337	50.04.0125		N4448	75V, 150mA, 4ns, DO-35	0	DL 316	50.04.2133	TLUY 2401	DL TLUY 2401	GB MATT	0	S 130	55.15.0604		1*α	Switch 5mm, gnr/transparent	
0	D 21	50.04.0125		N4448	75V, 150mA, 4ns, DO-35	0	D 401	50.04.0125		N4448	75V, 150mA, 4ns, DO-35	0	DL 401	50.04.2203		DL VRGB - 3312 X	RT/GN	0	S 132	55.15.0605		1*α	Switch 5mm, gnr/transparent	
0	D 22	50.04.0125		N4448	75V, 150mA, 4ns, DO-35	0	D 402	50.04.0125		N4448	75V, 150mA, 4ns, DO-35	0	DL 402	50.04.2812	11*yel	LED-Bargraph 11*yellow		0	S 133	55.15.0605		1*α	Switch 5mm, gnr/transparent	
0	D 23	50.04.0125		N4448	75V, 150mA, 4ns, DO-35	0	D 403	50.04.0125		N														



Channel Front Board I.950.759.00

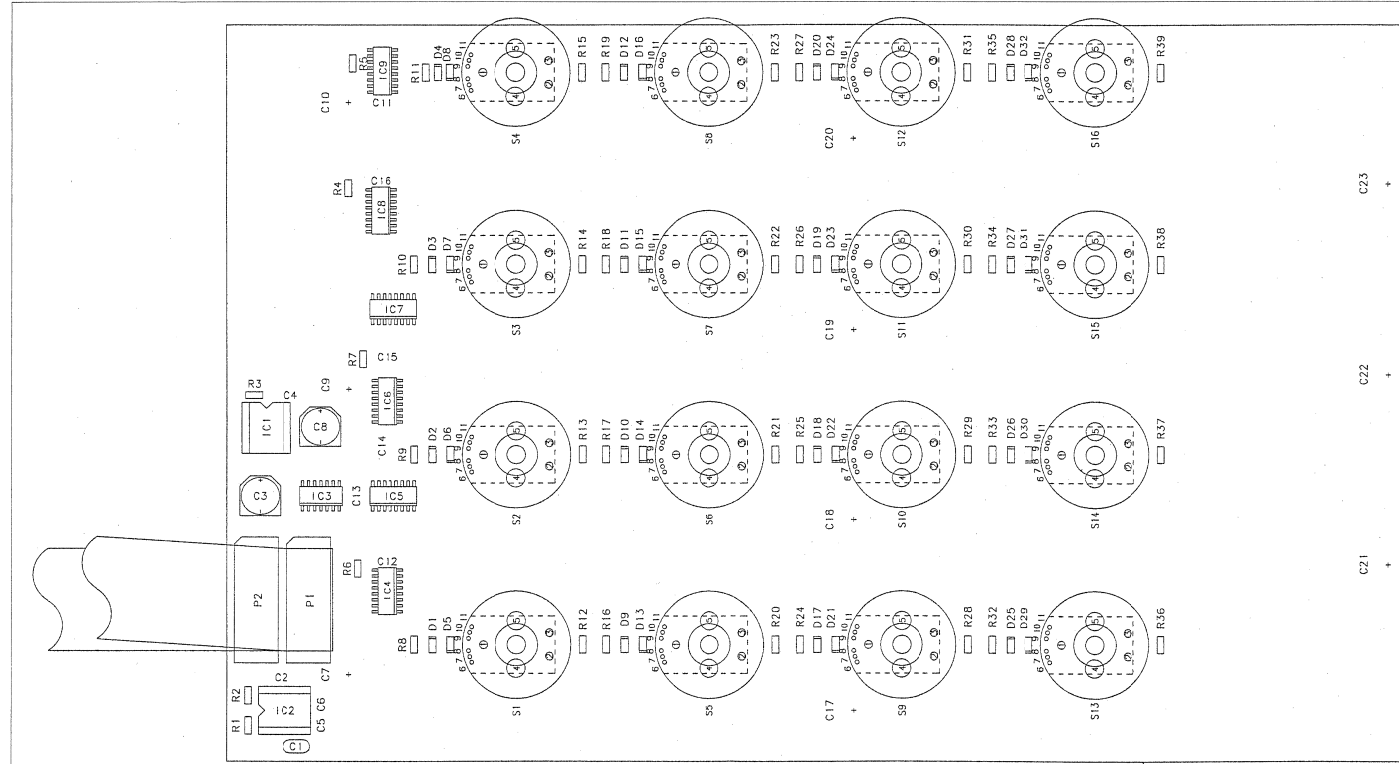
Idx	Pos.	Part No.	Qty.	Type/Val.	Description	Idx	Pos.	Part No.	Qty.	Type/Val.	Description
0	S 232	55.15.0605		1*a	Switch 5mm, grn/transparent	0	S 423	55.15.0704		1*a	Switch 12mm, yel/transparent
0	S 233	55.15.0605		1*a	Switch 5mm, grn/transparent	0	S 424	55.15.0604		1*a	Switch 5mm, yel/transparent
0	S 234	55.15.0622		1*a	Switch 5mm, red/red	0	S 426	55.15.0604		1*a	Switch 5mm, yel/transparent
0	S 235	55.15.0605		1*a	Switch 5mm, grn/transparent	0	S 428	55.15.0604		1*a	Switch 5mm, yel/transparent
0	S 236	55.15.0605		1*a	Switch 5mm, grn/transparent	0	S 430	55.15.0604		1*a	Switch 5mm, yel/transparent
0	S 237	55.15.0644		1*a	Switch 5mm, yel/yel	0	S 432	55.15.0605		1*a	Switch 5mm, grn/transparent
0	S 301	55.15.0605		1*a	Switch 5mm, grn/transparent	0	S 433	55.15.0605		1*a	Switch 5mm, grn/transparent
0	S 302	55.15.0604		1*a	Switch 5mm, grn/transparent	0	S 434	55.15.0622		1*a	Switch 5mm, red/red
0	S 303	55.15.0605		1*a	Switch 5mm, grn/transparent	0	S 435	55.15.0605		1*a	Switch 5mm, grn/transparent
0	S 304	55.15.0605		1*a	Switch 5mm, grn/transparent	0	S 436	55.15.0605		1*a	Switch 5mm, grn/transparent
0	S 305	55.15.0604		1*a	Switch 5mm, yel/transparent	0	S 437	55.15.0644		1*a	Switch 5mm, yel/yel
0	S 306	55.15.0604		1*a	Switch 5mm, yel/transparent	0	XIC 1	53.03.0218	96 pcs	1p	single-in-line
0	S 307	55.15.0604		1*a	Switch 5mm, yel/transparent	0	XIC 2	53.03.0233	40 pcs	6p	Connector female SIL
0	S 308	55.15.0604		1*a	Switch 5mm, yel/transparent	0	XIC 3	53.03.0234	32 pcs	11p	Connector female SIL
0	S 309	55.15.0605		1*a	Switch 5mm, grn/transparent	0	XLE 1	53.03.0240	16 pcs	2p	XLED single Line, PCB
0	S 310	55.15.0605		1*a	Switch 5mm, grn/transparent						
0	S 311	55.15.0605		1*a	Switch 5mm, grn/transparent						
0	S 312	55.15.0605		1*a	Switch 5mm, grn/transparent						
0	S 313	55.15.0602		1*a	Switch 5mm, red/transparent						
0	S 314	55.15.0605		1*a	Switch 5mm, grn/transparent						
0	S 315	55.15.0602		1*a	Switch 5mm, red/transparent						
0	S 316	55.15.0605		1*a	Switch 5mm, grn/transparent						
0	S 317	55.15.0604		1*a	Switch 5mm, yel/transparent						
0	S 318	55.15.0604		1*a	Switch 5mm, yel/transparent						
0	S 319	55.15.0604		1*a	Switch 5mm, yel/transparent						
0	S 320	55.15.0604		1*a	Switch 5mm, yel/transparent						
0	S 321	55.15.0644		1*a	Switch 5mm, yel/yel						
0	S 322	55.15.0705		1*a	Switch 12mm, grn/transparent						
0	S 323	55.15.0704		1*a	Switch 12mm, yel/transparent						
0	S 324	55.15.0604		1*a	Switch 5mm, yel/transparent						
0	S 326	55.15.0604		1*a	Switch 5mm, yel/transparent						
0	S 328	55.15.0604		1*a	Switch 5mm, yel/transparent						
0	S 330	55.15.0604		1*a	Switch 5mm, yel/transparent						
0	S 332	55.15.0605		1*a	Switch 5mm, grn/transparent						
0	S 333	55.15.0605		1*a	Switch 5mm, grn/transparent						
0	S 334	55.15.0622		1*a	Switch 5mm, red/red						
0	S 335	55.15.0605		1*a	Switch 5mm, grn/transparent						
0	S 336	55.15.0605		1*a	Switch 5mm, grn/transparent						
0	S 337	55.15.0644		1*a	Switch 5mm, yel/yel						
0	S 401	55.15.0605		1*a	Switch 5mm, grn/transparent						
0	S 402	55.15.0604		1*a	Switch 5mm, yel/transparent						
0	S 403	55.15.0605		1*a	Switch 5mm, grn/transparent						
0	S 404	55.15.0605		1*a	Switch 5mm, grn/transparent						
0	S 405	55.15.0604		1*a	Switch 5mm, yel/transparent						
0	S 406	55.15.0604		1*a	Switch 5mm, yel/transparent						
0	S 407	55.15.0604		1*a	Switch 5mm, yel/transparent						
0	S 408	55.15.0604		1*a	Switch 5mm, yel/transparent						
0	S 409	55.15.0605		1*a	Switch 5mm, grn/transparent						
0	S 410	55.15.0605		1*a	Switch 5mm, grn/transparent						
0	S 411	55.15.0605		1*a	Switch 5mm, grn/transparent						
0	S 412	55.15.0605		1*a	Switch 5mm, grn/transparent						
0	S 413	55.15.0602		1*a	Switch 5mm, red/transparent						
0	S 414	55.15.0605		1*a	Switch 5mm, grn/transparent						
0	S 415	55.15.0602		1*a	Switch 5mm, red/transparent						
0	S 416	55.15.0605		1*a	Switch 5mm, grn/transparent						
0	S 417	55.15.0604		1*a	Switch 5mm, yel/transparent						
0	S 418	55.15.0604		1*a	Switch 5mm, yel/transparent						
0	S 419	55.15.0604		1*a	Switch 5mm, yel/transparent						
0	S 420	55.15.0604		1*a	Switch 5mm, yel/transparent						
0	S 421	55.15.0644		1*a	Switch 5mm, yel/yel						
0	S 422	55.15.0705		1*a	Switch 12mm, grn/transparent						

End of List

Comments



Channel Rotary Board 1.950.757.00



Idx	Pos.	Part No.	Qty.	Type/Val.	Description
0	IC 1	50.10.0124		MAX660	V-Converter ... +5.5V to -5.5V
0	IC 2	50.09.0103		TL071	IC TL 071 CP, .A
0	IC 3	50.62.1014		74HC 14	Hex Schmitt trigger inverter
0	IC 4	50.62.1597		74HC597	8bit latch/shift register
0	IC 5	50.62.1951		74HC4051	8ch analog mux/demux
0	IC 6	50.62.1597		74HC597	8bit latch/shift register
0	IC 7	50.62.1951		74HC4051	8ch analog mux/demux
0	IC 8	50.62.1597		74HC597	8bit latch/shift register
0	IC 9	50.62.1597		74HC597	8bit latch/shift register
0	MP 1	1.950.757.11	mp		Channel Rotary PCB
0	MP 2	1.950.757.10	mp		Nr.-Etikette 5 * 20
0	MP 3	43.01.0108	mp	Label	ESE-WARNSCHILD
0	P 1	1.023.111.02			FLACHKABEL 16 POL. 0.065M
0	P 2	1.023.111.02			FLACHKABEL 16 POL. 0.065M
0	R 1	57.60.1152		1K5	MF, 1%, 0204, E24
0	R 2	57.60.1152		1K5	MF, 1%, 0204, E24
0	R 3	57.60.1101		100R	MF, 1%, 0204, E24
0	R 4	57.60.1222		2K2	MF, 1%, 0204, E24
0	R 5	57.60.1222		2K2	MF, 1%, 0204, E24
0	R 6	57.60.1222		2K2	MF, 1%, 0204, E24
0	R 7	57.60.1222		2K2	MF, 1%, 0204, E24
0	R 8	57.60.1102		1K	MF, 1%, 0204, E24
0	R 9	57.60.1102		1K	MF, 1%, 0204, E24
0	R 10	57.60.1102		1K	MF, 1%, 0204, E24
0	R 11	57.60.1102		1K	MF, 1%, 0204, E24
0	R 12	not used		0R0	MF, 0204
0	R 13	not used		0R0	MF, 0204
0	R 14	not used		0R0	MF, 0204
0	R 15	not used		0R0	MF, 0204
0	R 16	57.60.1102		1K	MF, 1%, 0204, E24
0	R 17	57.60.1102		1K	MF, 1%, 0204, E24
0	R 18	57.60.1102		1K	MF, 1%, 0204, E24
0	R 19	57.60.1102		1K	MF, 1%, 0204, E24
0	R 20	not used		0R0	MF, 0204
0	R 21	not used		0R0	MF, 0204
0	R 22	not used		0R0	MF, 0204
0	R 23	not used		0R0	MF, 0204
0	R 24	57.60.1102		1K	MF, 1%, 0204, E24
0	R 25	57.60.1102		1K	MF, 1%, 0204, E24
0	R 26	57.60.1102		1K	MF, 1%, 0204, E24
0	R 27	57.60.1102		1K	MF, 1%, 0204, E24
0	R 28	not used		0R0	MF, 0204
0	R 29	not used		0R0	MF, 0204
0	R 30	not used		0R0	MF, 0204
0	R 31	not used		0R0	MF, 0204
0	R 32	57.60.1102		1K	MF, 1%, 0204, E24
0	R 33	57.60.1102		1K	MF, 1%, 0204, E24
0	R 34	57.60.1102		1K	MF, 1%, 0204, E24
0	R 35	57.60.1102		1K	MF, 1%, 0204, E24
0	R 36	not used		0R0	MF, 0204
0	R 37	not used		0R0	MF, 0204
0	R 38	not used		0R0	MF, 0204
0	R 39	not used		0R0	MF, 0204
0	S 1	55.12.1316	N=40		Drehgeber magnetisch
0	S 2	55.12.1316	N=40		Drehgeber magnetisch
0	S 3	55.12.1316	N=40		Drehgeber magnetisch
0	S 4	55.12.1316	N=40		Drehgeber magnetisch
0	S 5	55.12.1316	N=40		Drehgeber magnetisch
0	S 6	55.12.1316	N=40		Drehgeber magnetisch
0	S 7	55.12.1316	N=40		Drehgeber magnetisch
0	S 8	55.12.1316	N=40		Drehgeber magnetisch
0	S 9	55.12.1316	N=40		Drehgeber magnetisch
0	S 10	55.12.1316	N=40		Drehgeber magnetisch
0	S 11	55.12.1316	N=40		Drehgeber magnetisch
0	S 12	55.12.1316	N=40		Drehgeber magnetisch
0	S 13	55.12.1316	N=40		Drehgeber magnetisch
0	S 14	55.12.1316	N=40		Drehgeber magnetisch
0	S 15	55.12.1316	N=40		Drehgeber magnetisch
0	S 16	55.12.1316	N=40		Drehgeber magnetisch

Idx	Pos.	Part No.	Qty.	Type/Val.	Description
0	C 1	not used		100p	CER 63V, 5%, N750
0	C 2	59.60.3337	100n		CER 50V, 10%, X7R, 0805
0	C 3	59.68.0073	220u		EL 16V, 8.0*10.7
0	C 4	59.60.3337	100n		CER 50V, 10%, X7R, 0805
0	C 5	59.60.3337	100n		CER 50V, 10%, X7R, 0805
0	C 6	59.60.2249	100p		CER 50V, 5%, COG, 0603
0	C 7	59.60.3337	100n		CER 50V, 10%, X7R, 0805
0	C 8	59.68.0073	220u		EL 16V, 8.0*10.7
0	C 9	59.60.3337	100n		CER 50V, 10%, X7R, 0805
0	C 10	59.60.3337	100n		CER 50V, 10%, X7R, 0805
0	C 11	59.60.3337	100n		CER 50V, 10%, X7R, 0805
0	C 12	59.60.3337	100n		CER 50V, 10%, X7R, 0805
0	C 13	59.60.3337	100n		CER 50V, 10%, X7R, 0805
0	C 14	59.60.3325	10n		CER 50V, 10%, X7R, 0805
0	C 15	59.60.3337	100n		CER 50V, 10%, X7R, 0805
0	C 16	59.60.3337	100n		CER 50V, 10%, X7R, 0805
0	C 17	59.60.3337	100n		CER 50V, 10%, X7R, 0805
0	C 18	59.60.3337	100n		CER 50V, 10%, X7R, 0805
0	C 19	59.60.3337	100n		CER 50V, 10%, X7R, 0805
0	C 20	59.60.3337	100n		CER 50V, 10%, X7R, 0805
0	C 21	59.60.3337	100n		CER 50V, 10%, X7R, 0805
0	C 22	59.60.3337	100n		CER 50V, 10%, X7R, 0805
0	C 23	59.60.3337	100n		CER 50V, 10%, X7R, 0805
0	D 1	50.60.8001	4448		200mA 75V 4ns SOD 80
0	D 2	50.60.8001	4448		200mA 75V 4ns SOD 80
0	D 3	50.60.8001	4448		200mA 75V 4ns SOD 80
0	D 4	50.60.8001	4448		200mA 75V 4ns SOD 80

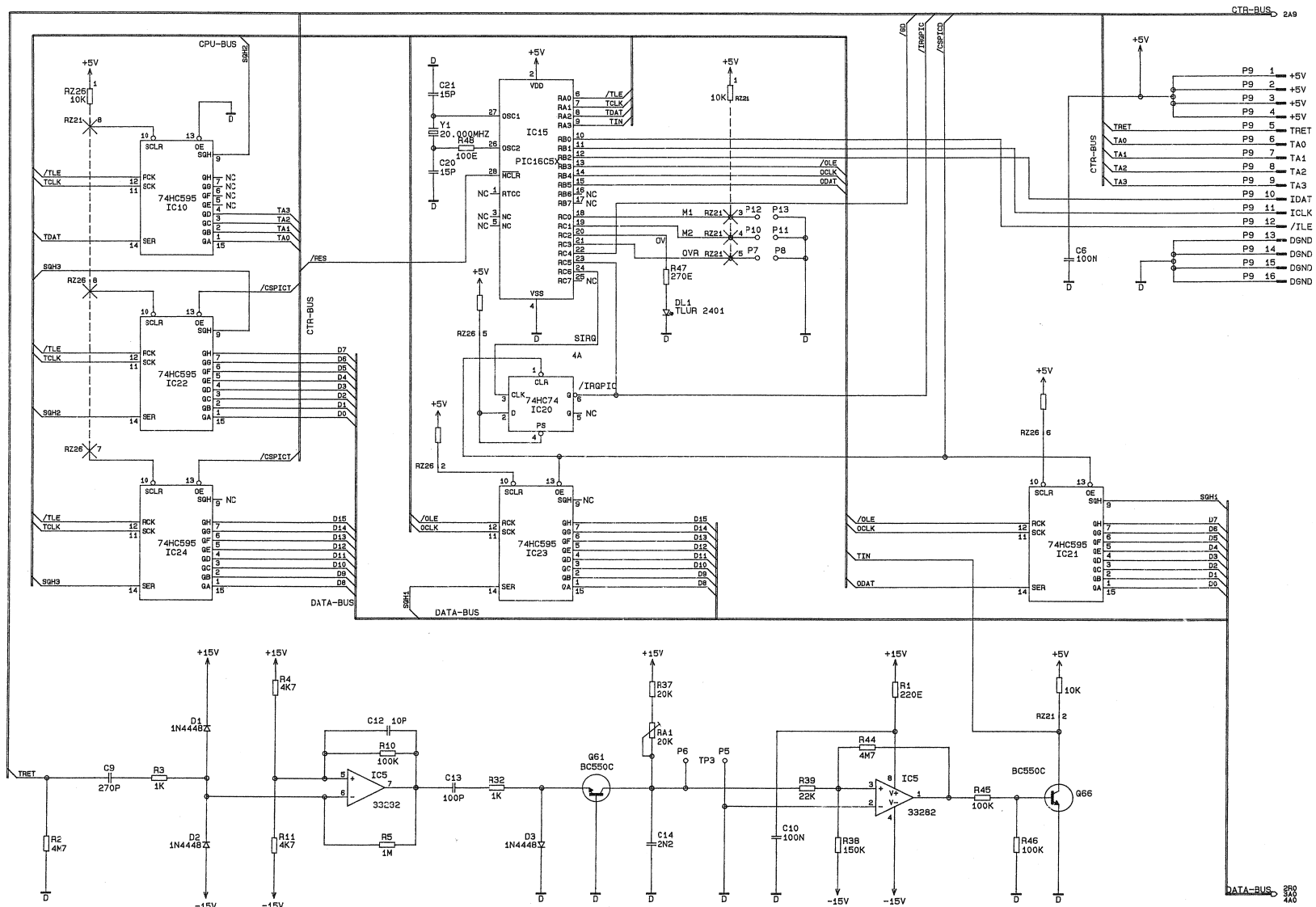
Idx	Pos.	Part No.	Qty.	Type/Val.	Description
0	D 5	50.60.8001	4448		200mA 75V 4ns SOD 80
0	D 6	50.60.8001	4448		200mA 75V 4ns SOD 80
0	D 7	50.60.8001	4448		200mA 75V 4ns SOD 80
0	D 8	50.60.8001	4448		200mA 75V 4ns SOD 80
0	D 9	50.60.8001	4448		200mA 75V 4ns SOD 80
0	D 10	50.60.8001	4448		200mA 75V 4ns SOD 80
0	D 11	50.60.8001	4448		200mA 75V 4ns SOD 80
0	D 12	50.60.8001	4448		200mA 75V 4ns SOD 80
0	D 13	50.60.8001	4448		200mA 75V 4ns SOD 80
0	D 14	50.60.8001	4448		200mA 75V 4ns SOD 80
0	D 15	50.60.8001	4448		200mA 75V 4ns SOD 80
0	D 16	50.60.8001	4448		200mA 75V 4ns SOD 80
0	D 17	50.60.8001	4448		200mA 75V 4ns SOD 80
0	D 18	50.60.8001	4448		200mA 75V 4ns SOD 80
0	D 19	50.60.8001	4448		200mA 75V 4ns SOD 80
0	D 20	50.60.8001	4448		200mA 75V 4ns SOD 80
0	D 21	50.60.8001	4448		200mA 75V 4ns SOD 80
0	D 22	50.60.8001	4448		200mA 75V 4ns SOD 80
0	D 23	50.60.8001	4448		200mA 75V 4ns SOD 80
0	D 24	50.60.8001	4448		200mA 75V 4ns SOD 80
0	D 25	50.60.8001	4448		200mA 75V 4ns SOD 80
0	D 26	50.60.8001	4448		200mA 75V 4ns SOD 80
0	D 27	50.60.8001	4448		200mA 75V 4ns SOD 80
0	D 28	50.60.8001	4448		200mA 75V 4ns SOD 80
0	D 29	50.60.8001	4448		200mA 75V 4ns SOD 80
0	D 30	50.60.8001	4448		200mA 75V 4ns SOD 80
0	D 31	50.60.8001	4448		200mA 75V 4ns SOD 80
0	D 32	50.60.8001	4448		200mA 75V 4ns SOD 80

Comments

End of List

Edition	19.11.1999	ZT			
Autogramm					
Zeichn. Nr.	1.950.757.00				
Seite	1 / 1				

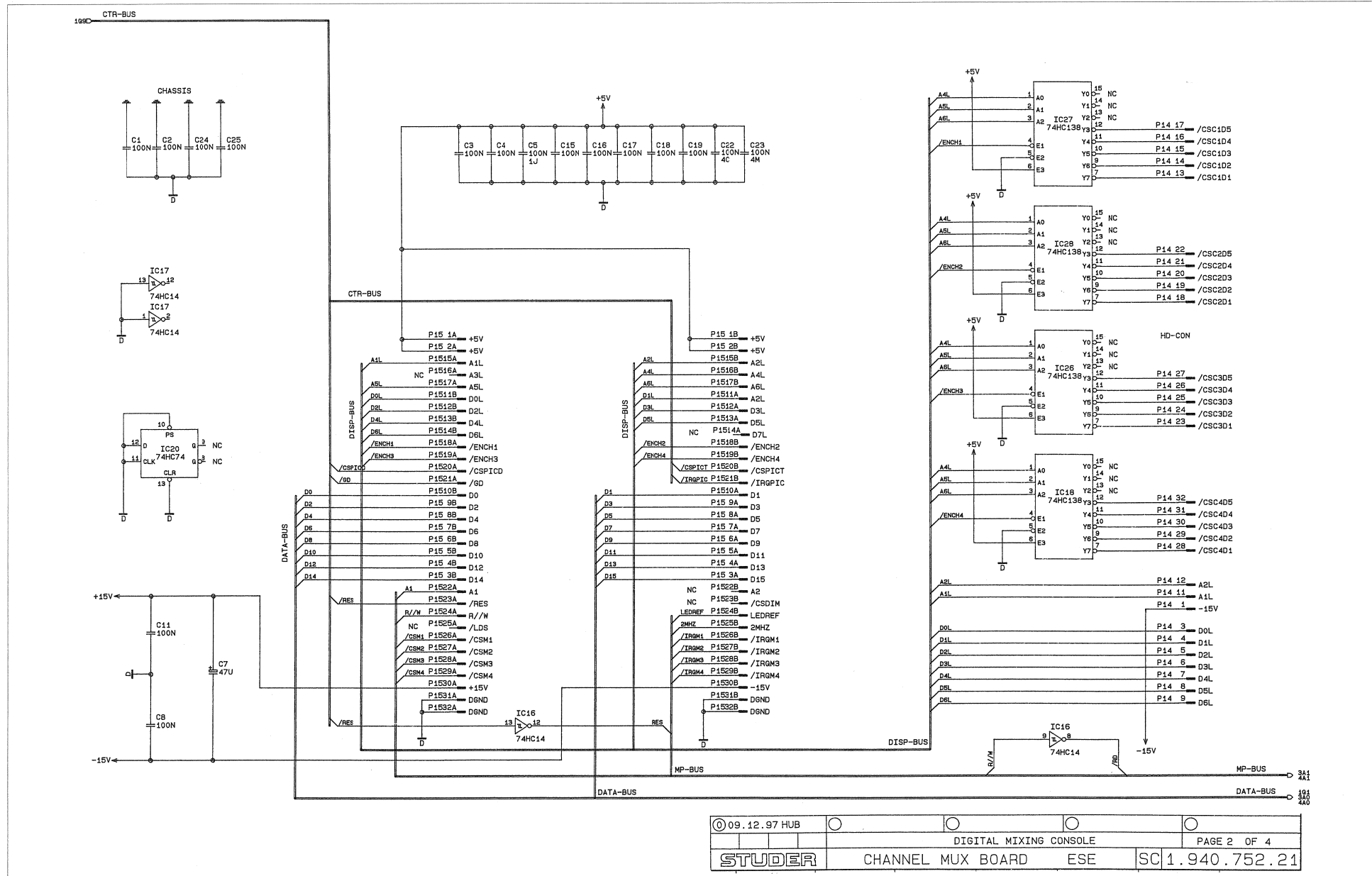
Channel Mux Board 1.940.752.21



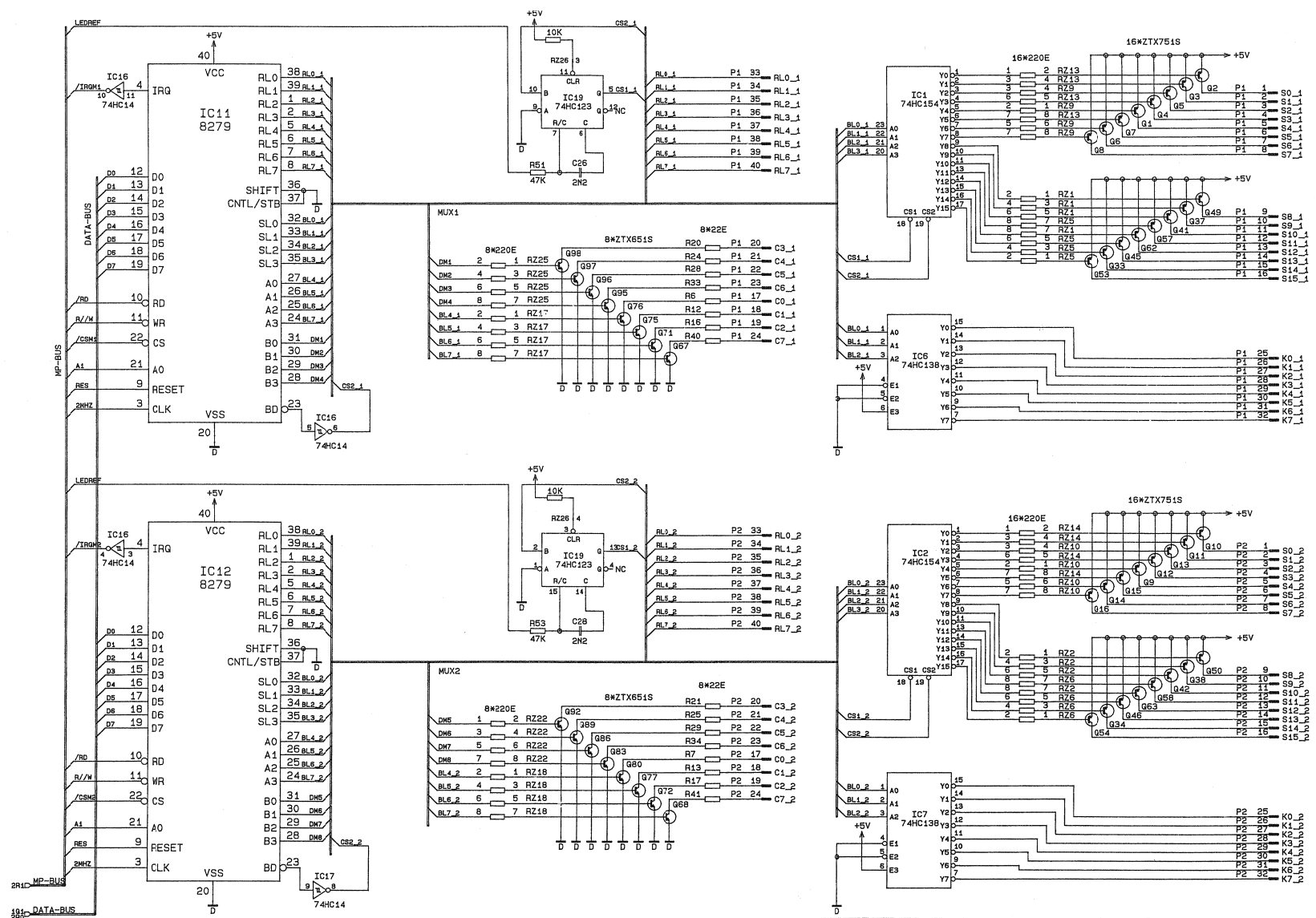
© 09.12.97 HUB			
DIGITAL MIXING CONSOLE		PAGE 1 OF 4	
STUDER	CHANNEL MUX BOARD	ESE	SC 1.940.752.21



Channel Mux Board 1.940.752.21



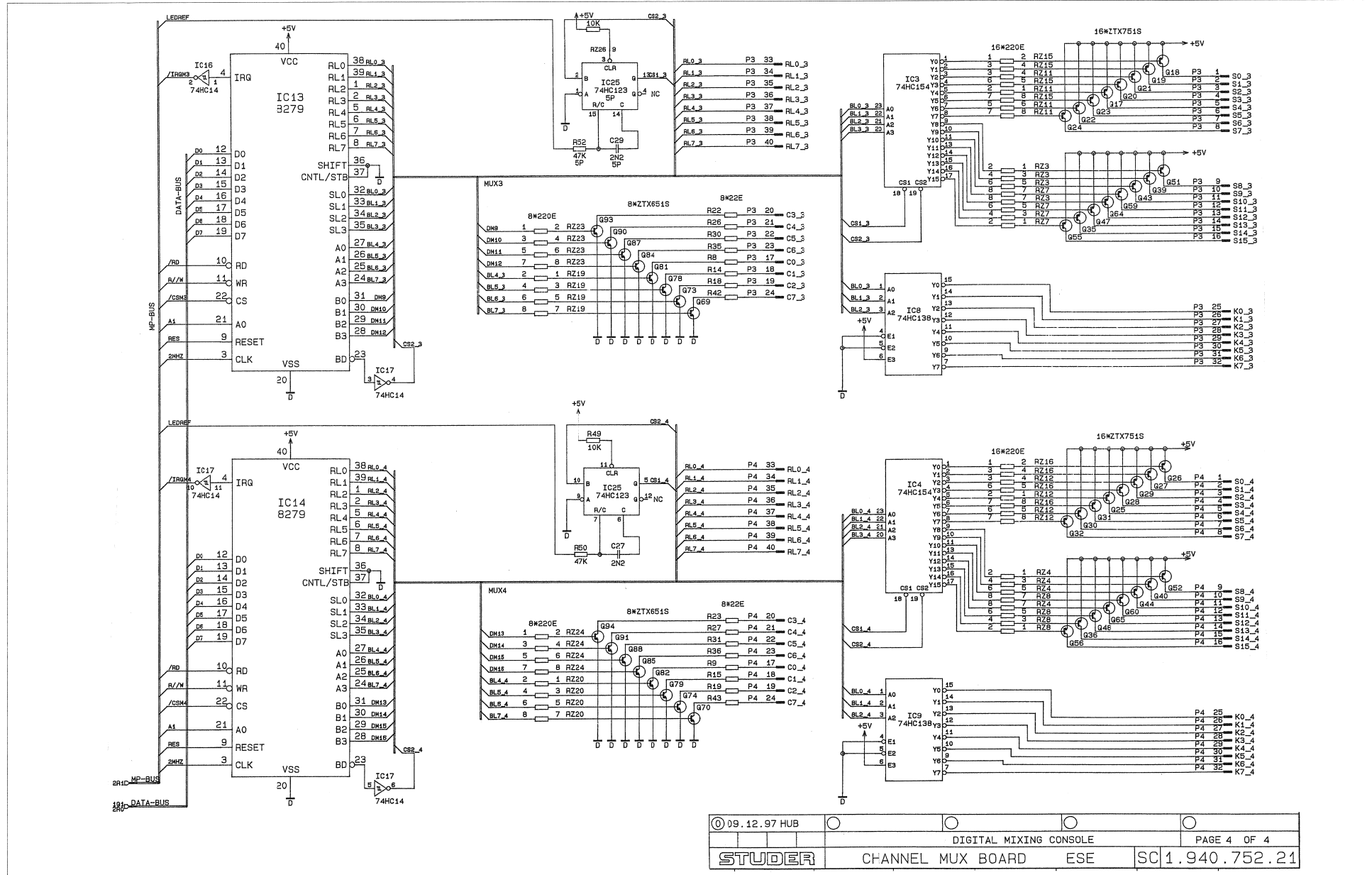
Channel Mux Board 1.940.752.21



09.12.97 HUB	DIGITAL MIXING CONSOLE	PAGE 3 OF 4
STUDER	CHANNEL MUX BOARD ESE	SC1.940.752.21

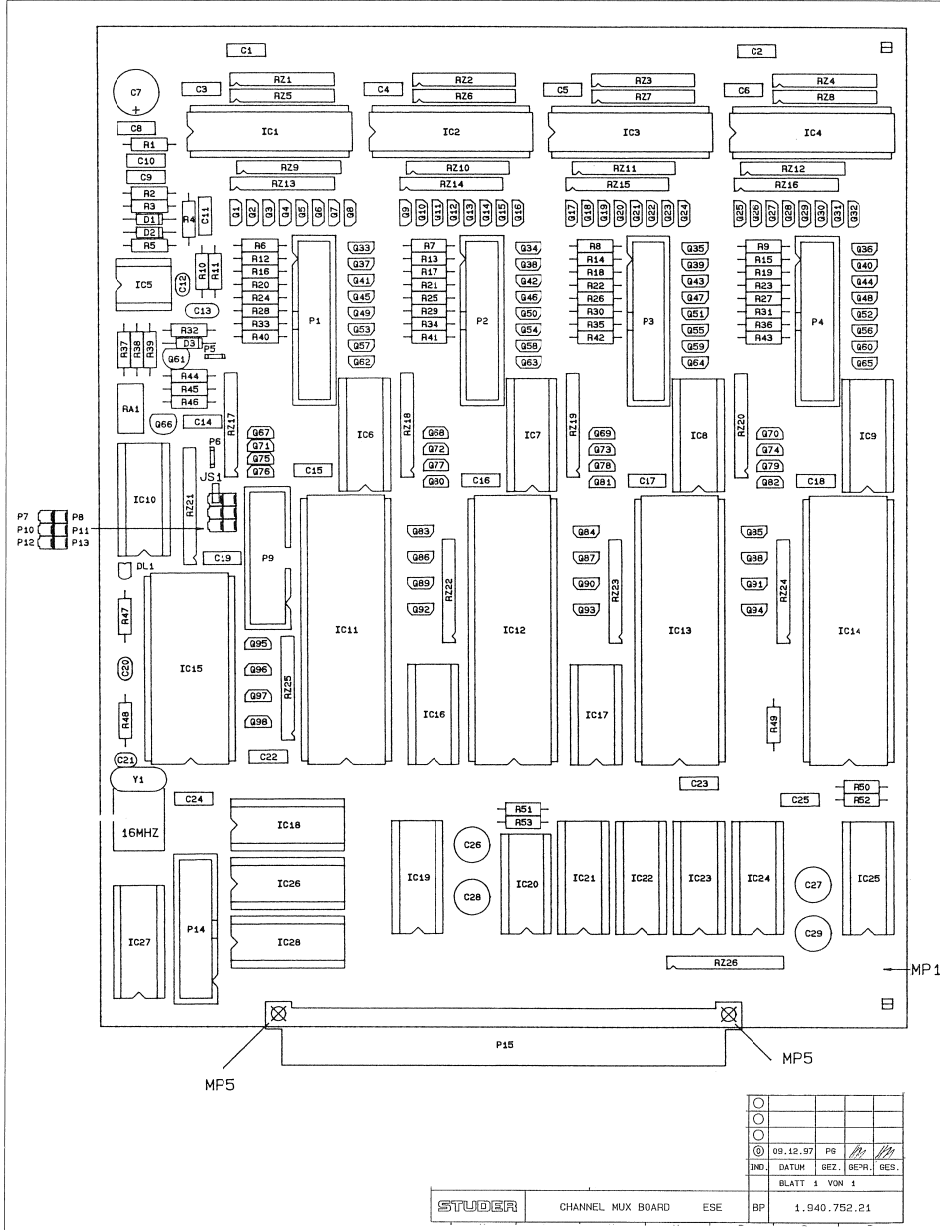


Channel Mux Board 1.940.752.21





Channel Mux Board 1.940.752.21



Idx.	Pos.	Part No.	Qty.	Type/Val.	Description	Idx.	Pos.	Part No.	Qty.	Type/Val.	Description
0	C 1	59.06.0104	100n		PETP, 63V, 10%, RM5	0	P 8	not used	1p		Pin 0.63*0.63 see P7
0	C 2	59.06.0104	100n		PETP, 63V, 10%, RM5	0	P 9	54.14.2002	16p		1/20" Au, gerade, ohne Verriegelung
0	C 3	59.06.0104	100n		PETP, 63V, 10%, RM5	0	P 10	not used	1p		Pin 0.63*0.63 see P7
0	C 4	59.06.0104	100n		PETP, 63V, 10%, RM5	0	P 11	not used	1p		Pin 0.63*0.63 see P7
0	C 5	59.06.0104	100n		PETP, 63V, 10%, RM5	0	P 12	not used	1p		Pin 0.63*0.63 see P7
0	C 6	59.06.0104	100n		PETP, 63V, 10%, RM5	0	P 13	not used	1p		Pin 0.63*0.63 see P7
0	C 7	59.22.8470	47u		EL 40V, 20%, RM5	0	P 14	54.16.0534	34p		P 14/0", 34 P, AU, PRINT
0	C 8	59.06.0104	100n		PETP, 63V, 10%, RM5	0	P 15	54.11.2004	64-P		P EU-B 2 * 32
0	C 9	59.34.4271	270p		CER 63V, 5%, N750	0	Q 1	50.03.0352		ZTX751S	ZTX 751 S
0	C 10	59.06.0104	100n		PETP, 63V, 10%, RM5	0	Q 2	50.03.0352		ZTX751S	ZTX 751 S
0	C 11	59.06.0104	100n		PETP, 63V, 10%, RM5	0	Q 3	50.03.0352		ZTX751S	ZTX 751 S
0	C 12	59.34.1100	10p		CER 63V, 5%, NP 0	0	Q 4	50.03.0352		ZTX751S	ZTX 751 S
0	C 13	59.34.2101	100p		CER 63V, 5%, N150	0	Q 5	50.03.0352		ZTX751S	ZTX 751 S
0	C 14	59.06.0222	2n2		PETP, 63V, 10%, RM5	0	Q 6	50.03.0352		ZTX751S	ZTX 751 S
0	C 15	59.06.0104	100n		PETP, 63V, 10%, RM5	0	Q 7	50.03.0352		ZTX751S	ZTX 751 S
0	C 16	59.06.0104	100n		PETP, 63V, 10%, RM5	0	Q 8	50.03.0352		ZTX751S	ZTX 751 S
0	C 17	59.06.0104	100n		PETP, 63V, 10%, RM5	0	Q 9	50.03.0352		ZTX751S	ZTX 751 S
0	C 18	59.06.0104	100n		PETP, 63V, 10%, RM5	0	Q 10	50.03.0352		ZTX751S	ZTX 751 S
0	C 19	59.06.0104	100n		PETP, 63V, 10%, RM5	0	Q 11	50.03.0352		ZTX751S	ZTX 751 S
0	C 20	59.34.1150	15p		CER 63V, 5%, NP 0	0	Q 12	50.03.0352		ZTX751S	ZTX 751 S
0	C 21	59.34.1150	15p		CER 63V, 5%, NP 0	0	Q 13	50.03.0352		ZTX751S	ZTX 751 S
0	C 22	59.06.0104	100n		PETP, 63V, 10%, RM5	0	Q 14	50.03.0352		ZTX751S	ZTX 751 S
0	C 23	59.06.0104	100n		PETP, 63V, 10%, RM5	0	Q 15	50.03.0352		ZTX751S	ZTX 751 S
0	C 24	59.06.0104	100n		PETP, 63V, 10%, RM5	0	Q 16	50.03.0352		ZTX751S	ZTX 751 S
0	C 25	59.06.0104	100n		PETP, 63V, 10%, RM5	0	Q 17	50.03.0352		ZTX751S	ZTX 751 S
0	C 26	59.05.1222	2n2		PP, 1%, 160V	0	Q 18	50.03.0352		ZTX751S	ZTX 751 S
0	C 27	59.05.1222	2n2		PP, 1%, 160V	0	Q 19	50.03.0352		ZTX751S	ZTX 751 S
0	C 28	59.05.1222	2n2		PP, 1%, 160V	0	Q 20	50.03.0352		ZTX751S	ZTX 751 S
0	C 29	59.05.1222	2n2		PP, 1%, 160V	0	Q 21	50.03.0352		ZTX751S	ZTX 751 S
0	D 1	50.04.0125	1N4448	75V, 150mA, 4ns, DO-35		0	Q 22	50.03.0352		ZTX751S	ZTX 751 S
0	D 2	50.04.0125	1N4448	75V, 150mA, 4ns, DO-35		0	Q 23	50.03.0352		ZTX751S	ZTX 751 S
0	D 3	50.04.0125	1N4448	75V, 150mA, 4ns, DO-35		0	Q 24	50.03.0352		ZTX751S	ZTX 751 S
0	DL 1	50.04.2121	TLUR 2401	DL TLUR 2401 RT MATT		0	Q 25	50.03.0352		ZTX751S	ZTX 751 S
0	IC 1	50.17.1154	74HC154	4-to16 Line driver, DIP 24-300		0	Q 26	50.03.0352		ZTX751S	ZTX 751 S
0	IC 2	50.17.1154	74HC154	4-to16 Line driver, DIP 24-300		0	Q 27	50.03.0352		ZTX751S	ZTX 751 S
0	IC 3	50.17.1154	74HC154	4-to16 Line driver, DIP 24-300		0	Q 28	50.03.0352		ZTX751S	ZTX 751 S
0	IC 4	50.17.1154	74HC154	4-to16 Line driver, DIP 24-300		0	Q 29	50.03.0352		ZTX751S	ZTX 751 S
0	IC 5	50.09.0127	MC33282	Dual Op-Amp BIFET, DIP 8		0	Q 30	50.03.0352		ZTX751S	ZTX 751 S
0	IC 6	50.17.1138	74HC138	IC ... 74 HC 138 ... A		0	Q 31	50.03.0352		ZTX751S	ZTX 751 S
0	IC 7	50.17.1138	74HC138	IC ... 74 HC 138 ... A		0	Q 32	50.03.0352		ZTX751S	ZTX 751 S
0	IC 8	50.17.1138	74HC138	IC ... 74 HC 138 ... A		0	Q 33	50.03.0352		ZTX751S	ZTX 751 S
0	IC 9	50.17.1138	74HC138	IC ... 74 HC 138 ... A		0	Q 34	50.03.0352		ZTX751S	ZTX 751 S
0	IC 10	50.17.1595	74HC595	IC ... 74 HC 595 ... A		0	Q 35	50.03.0352		ZTX751S	ZTX 751 S
0	IC 11	50.16.0703	8279	IC TMP 82 C 79 P-2		0	Q 36	50.03.0352		ZTX751S	ZTX 751 S
0	IC 12	50.16.0703	8279	IC TMP 82 C 79 P-2		0	Q 37	50.03.0352		ZTX751S	ZTX 751 S
0	IC 13	50.16.0703	8279	IC TMP 82 C 79 P-2		0	Q 38	50.03.0352		ZTX751S	ZTX 751 S
0	IC 14	50.16.0703	8279	IC TMP 82 C 79 P-2		0	Q 39	50.03.0352		ZTX751S	ZTX 751 S
0	IC 15	50.16.0301	IC PIC 16 C 57-HS/P	A		0	Q 40	50.03.0352		ZTX751S	ZTX 751 S
0	IC 16	50.17.1014	74HC14	IC ... 74 HC 14 ... A		0	Q 41	50.03.0352		ZTX751S	ZTX 751 S
0	IC 17	50.17.1014	74HC14	IC ... 74 HC 14 ... A		0	Q 42	50.03.0352		ZTX751S	ZTX 751 S
0	IC 18	50.17.1138	74HC138	IC ... 74 HC 138 ... A		0	Q 43	50.03.0352		ZTX751S	ZTX 751 S
0	IC 19	50.17.1123	74HC123	IC ... 74 HC 123 ... A		0	Q 44	50.03.0352		ZTX751S	ZTX 751 S
0	IC 20	50.17.1074	74HC74	IC ... 74 HC 74 ... A		0	Q 45	50.03.0352		ZTX751S	ZTX 751 S
0	IC 21	50.17.1595	74HC595	IC ... 74 HC 595 ... A		0	Q 46	50.03.0352		ZTX751S	ZTX 751 S
0	IC 22	50.17.1595	74HC595	IC ... 74 HC 595 ... A		0	Q 47	50.03.0352		ZTX751S	ZTX 751 S
0	IC 23	50.17.1595	74HC595	IC ... 74 HC 595 ... A		0	Q 48	50.03.0352		ZTX751S	ZTX 751 S
0	IC 24	50.17.1595	74HC595	IC ... 74 HC 595 ... A		0	Q 49	50.03.0352		ZTX751S	ZTX 751 S
0	IC 25	50.17.1123	74HC123	IC ... 74 HC 123 ... A		0	Q 50	50.03.0352		ZTX751S	ZTX 751 S
0	IC 26	50.17.1138	74HC138	IC ... 74 HC 138 ... A		0	Q 51	50.03.0352		ZTX751S	ZTX 751 S
0	IC 27	50.17.1138	74HC138	IC ... 74 HC 138 ... A		0	Q 52	50.03.0352		ZTX751S	ZTX 751 S
0	IC 28	50.17.1138	74HC138	IC ... 74 HC 138 ... A		0	Q 53	50.03.0352		ZTX751S	ZTX 751 S
0	JS 1	54.01.0021	Jumper	0.63 * 0.63mm		0	Q 54	50.03.0352		ZTX751S	ZTX 751 S
0	MP 1	1.940.752.11	1 pc	CHANNEL MUX PCB	/A	0	Q 55	50.03.0352		ZTX751S	ZTX 751 S
0	MP 2	1.940.752.04	1 pc	NR.-ETIKETTE 5 * 20		0	Q 56	50.03.0352		ZTX751S	ZTX 751 S
0	MP 3	43.01.0108	1 pc	ESE-WARNschild		0	Q 57	50.03.0352		ZTX751S	ZTX 751 S
0	MP 4	1.101.001.20	1 pc	TEXT-ETIK. 5*20 HARDWARE-20		0	Q 58	50.03.0352		ZTX751S	ZTX 751 S
0	MP 5	28.99.0119	2 pcs	ROHRNIETE D 2.5*0.15* 9		0	Q 59	50.03.0352		ZTX751S	ZTX 751 S
0	MP 6	65.98.0167	10 mm Tape	POLYURH. KLEBBAND WS, 9* 3		0	Q 60	50.03.0352		ZTX751S	ZTX 751 S
0	P 1	54.16.0540	40p	P 14/0", 40 P, AU, PRINT		0	Q 61	50.03.0407		BC550C	BC 550 C
0	P 2	54.16.0540	40p	P 14/0", 40 P, AU, PRINT		0	Q 62	50.03.0352		ZTX751S	ZTX 751 S
0	P 3	54.16.0540	40p	P 14/0", 40 P, AU, PRINT		0	Q 63	50.03.0352		ZTX751S	ZTX 751 S
0	P 4	54.16.0540	40p	P 14/0", 40 P, AU, PRINT		0	Q 64	50.03.0352		ZTX751S	ZTX 751 S
0	P 5	54.02.0320	1p	Flatpin, 2.8*0.8mm		0	Q 65	50.03.0352		ZTX751S	ZTX 751 S
0	P 6	54.02.0320	1p	Flatpin, 2.8*0.8mm		0	Q 66	50.03.0407		BC550C	BC 550 C
0	P 7	54.11.0138	2*3p	Pin 0.63*0.63, RM2.64		0	Q 67	50.03.0523		ZTX651	ZTX 651
0	P 8	not used	1p	Pin 0.63*0.63		0	Q 68	50.03.0523		ZTX651	ZTX 651



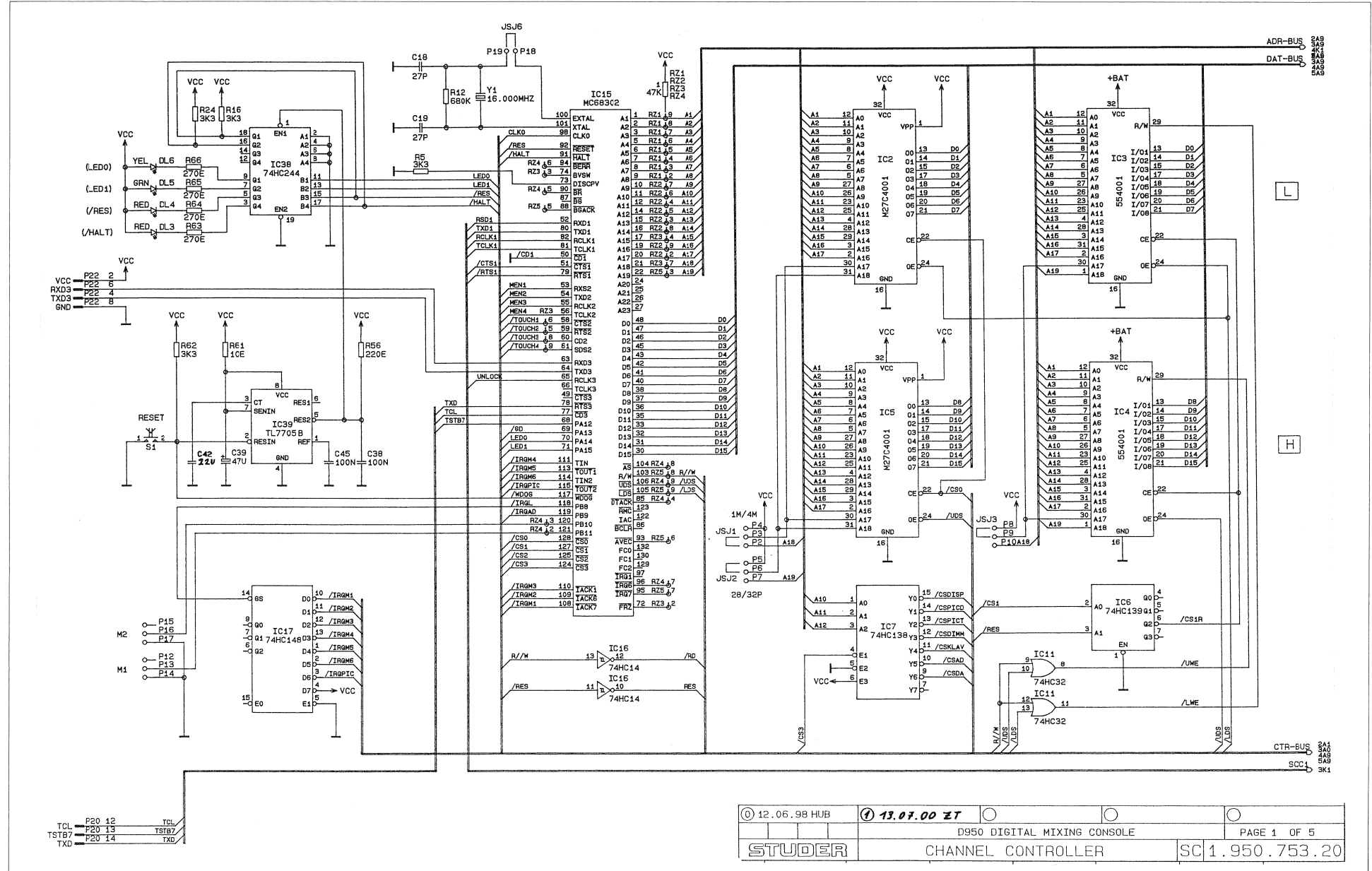
Channel Mux Board I.940.752.21

Idx.	Pos.	Part No.	Qty.	Type/Val.	Description	Idx.	Pos.	Part No.	Qty.	Type/Val.	Description
0	Q 69	50.03.0523		ZTX651	ZTX 651	0	R 51	57.11.3473		47k	MF, 1%, 0207
0	Q 70	50.03.0523		ZTX651	ZTX 651	0	R 52	57.11.3473		47k	MF, 1%, 0207
0	Q 71	50.03.0523		ZTX651	ZTX 651	0	R 53	57.11.3473		47k	MF, 1%, 0207
0	Q 72	50.03.0523		ZTX651	ZTX 651						
0	Q 73	50.03.0523		ZTX651	ZTX 651	0	RA 1	58.01.9203		20k	Cermet, 10%, 0.5W, vertical
0	Q 74	50.03.0523		ZTX651	ZTX 651						
0	Q 75	50.03.0523		ZTX651	ZTX 651	0	RZ 1	57.88.2221		4*220R	2%, SIP 8
0	Q 76	50.03.0523		ZTX651	ZTX 651	0	RZ 2	57.88.2221		4*220R	2%, SIP 8
0	Q 77	50.03.0523		ZTX651	ZTX 651	0	RZ 3	57.88.2221		4*220R	2%, SIP 8
0	Q 78	50.03.0523		ZTX651	ZTX 651	0	RZ 4	57.88.2221		4*220R	2%, SIP 8
0	Q 79	50.03.0523		ZTX651	ZTX 651	0	RZ 5	57.88.2221		4*220R	2%, SIP 8
0	Q 80	50.03.0523		ZTX651	ZTX 651	0	RZ 6	57.88.2221		4*220R	2%, SIP 8
0	Q 81	50.03.0523		ZTX651	ZTX 651	0	RZ 7	57.88.2221		4*220R	2%, SIP 8
0	Q 82	50.03.0523		ZTX651	ZTX 651	0	RZ 8	57.88.2221		4*220R	2%, SIP 8
0	Q 83	50.03.0523		ZTX651	ZTX 651	0	RZ 9	57.88.2221		4*220R	2%, SIP 8
0	Q 84	50.03.0523		ZTX651	ZTX 651	0	RZ 10	57.88.2221		4*220R	2%, SIP 8
0	Q 85	50.03.0523		ZTX651	ZTX 651	0	RZ 11	57.88.2221		4*220R	2%, SIP 8
0	Q 86	50.03.0523		ZTX651	ZTX 651	0	RZ 12	57.88.2221		4*220R	2%, SIP 8
0	Q 87	50.03.0523		ZTX651	ZTX 651	0	RZ 13	57.88.2221		4*220R	2%, SIP 8
0	Q 88	50.03.0523		ZTX651	ZTX 651	0	RZ 14	57.88.2221		4*220R	2%, SIP 8
0	Q 89	50.03.0523		ZTX651	ZTX 651	0	RZ 15	57.88.2221		4*220R	2%, SIP 8
0	Q 90	50.03.0523		ZTX651	ZTX 651	0	RZ 16	57.88.2221		4*220R	2%, SIP 8
0	Q 91	50.03.0523		ZTX651	ZTX 651	0	RZ 17	57.88.2221		4*220R	2%, SIP 8
0	Q 92	50.03.0523		ZTX651	ZTX 651	0	RZ 18	57.88.2221		4*220R	2%, SIP 8
0	Q 93	50.03.0523		ZTX651	ZTX 651	0	RZ 19	57.88.2221		4*220R	2%, SIP 8
0	Q 94	50.03.0523		ZTX651	ZTX 651	0	RZ 20	57.88.2221		4*220R	2%, SIP 8
0	Q 95	50.03.0523		ZTX651	ZTX 651	0	RZ 21	57.88.4103		8*10k	2%, SIP 9
0	Q 96	50.03.0523		ZTX651	ZTX 651	0	RZ 22	57.88.2221		4*220R	2%, SIP 8
0	Q 97	50.03.0523		ZTX651	ZTX 651	0	RZ 23	57.88.2221		4*220R	2%, SIP 8
0	Q 98	50.03.0523		ZTX651	ZTX 651	0	RZ 24	57.88.2221		4*220R	2%, SIP 8
						0	RZ 25	57.88.2221		4*220R	2%, SIP 8
						0	RZ 26	57.88.4103		8*10k	2%, SIP 9
0	R 1	57.11.3221		220R	MF, 1%, 0207	0	XIC 11	53.03.0172		40p	DIL 0.6", lot, gerade
0	R 2	57.11.5475		4M7	MF, 5%, 0207	0	XIC 12	53.03.0172		40p	DIL 0.6", lot, gerade
0	R 3	57.11.3102		1k0	MF, 1%, 0207	0	XIC 13	53.03.0172		40p	DIL 0.6", lot, gerade
0	R 4	57.11.3472		4k7	MF, 1%, 0207	0	XIC 14	53.03.0172		40p	DIL 0.6", lot, gerade
0	R 5	57.11.3105		1M0	MF, 1%, 0207	0	XIC 15	53.03.0173		28p	DIL 0.6", lot, gerade
0	R 6	57.11.3220		22R	MF, 1%, 0207	0	Y 1	89.01.1009		16.000MHz	16.000 000 MHz, HC-49U
0	R 7	57.11.3220		22R	MF, 1%, 0207						
0	R 8	57.11.3220		22R	MF, 1%, 0207						
0	R 9	57.11.3220		22R	MF, 1%, 0207						
0	R 10	57.11.3104		100k	MF, 1%, 0207						
0	R 11	57.11.3472		4k7	MF, 1%, 0207						
0	R 12	57.11.3220		22R	MF, 1%, 0207						
0	R 13	57.11.3220		22R	MF, 1%, 0207						
0	R 14	57.11.3220		22R	MF, 1%, 0207						
0	R 15	57.11.3220		22R	MF, 1%, 0207						
0	R 16	57.11.3220		22R	MF, 1%, 0207						
0	R 17	57.11.3220		22R	MF, 1%, 0207						
0	R 18	57.11.3220		22R	MF, 1%, 0207						
0	R 19	57.11.3220		22R	MF, 1%, 0207						
0	R 20	57.11.3220		22R	MF, 1%, 0207						
0	R 21	57.11.3220		22R	MF, 1%, 0207						
0	R 22	57.11.3220		22R	MF, 1%, 0207						
0	R 23	57.11.3220		22R	MF, 1%, 0207						
0	R 24	57.11.3220		22R	MF, 1%, 0207						
0	R 25	57.11.3220		22R	MF, 1%, 0207						
0	R 26	57.11.3220		22R	MF, 1%, 0207						
0	R 27	57.11.3220		22R	MF, 1%, 0207						
0	R 28	57.11.3220		22R	MF, 1%, 0207						
0	R 29	57.11.3220		22R	MF, 1%, 0207						
0	R 30	57.11.3220		22R	MF, 1%, 0207						
0	R 31	57.11.3220		22R	MF, 1%, 0207						
0	R 32	57.11.3102		1k0	MF, 1%, 0207						
0	R 33	57.11.3220		22R	MF, 1%, 0207						
0	R 34	57.11.3220		22R	MF, 1%, 0207						
0	R 35	57.11.3220		22R	MF, 1%, 0207						
0	R 36	57.11.3220		22R	MF, 1%, 0207						
0	R 37	57.11.3203		20k	MF, 1%, 0207						
0	R 38	57.11.3154		150k	MF, 1%, 0207						
0	R 39	57.11.3223		22k	MF, 1%, 0207						
0	R 40	57.11.3220		22R	MF, 1%, 0207						
0	R 41	57.11.3220		22R	MF, 1%, 0207						
0	R 42	57.11.3220		22R	MF, 1%, 0207						
0	R 43	57.11.3220		22R	MF, 1%, 0207						
0	R 44	57.11.5475		4M7	MF, 5%, 0207						
0	R 45	57.11.3104		100k	MF, 1%, 0207						
0	R 46	57.11.3104		100k	MF, 1%, 0207						
0	R 47	57.11.3271		270R	MF, 1%, 0207						
0	R 48	57.11.3101		100R	MF, 1%, 0207						
0	R 49	57.11.3103		10k	MF, 1%, 0207						
0	R 50	57.11.3473		47k	MF, 1%, 0207						

End of List

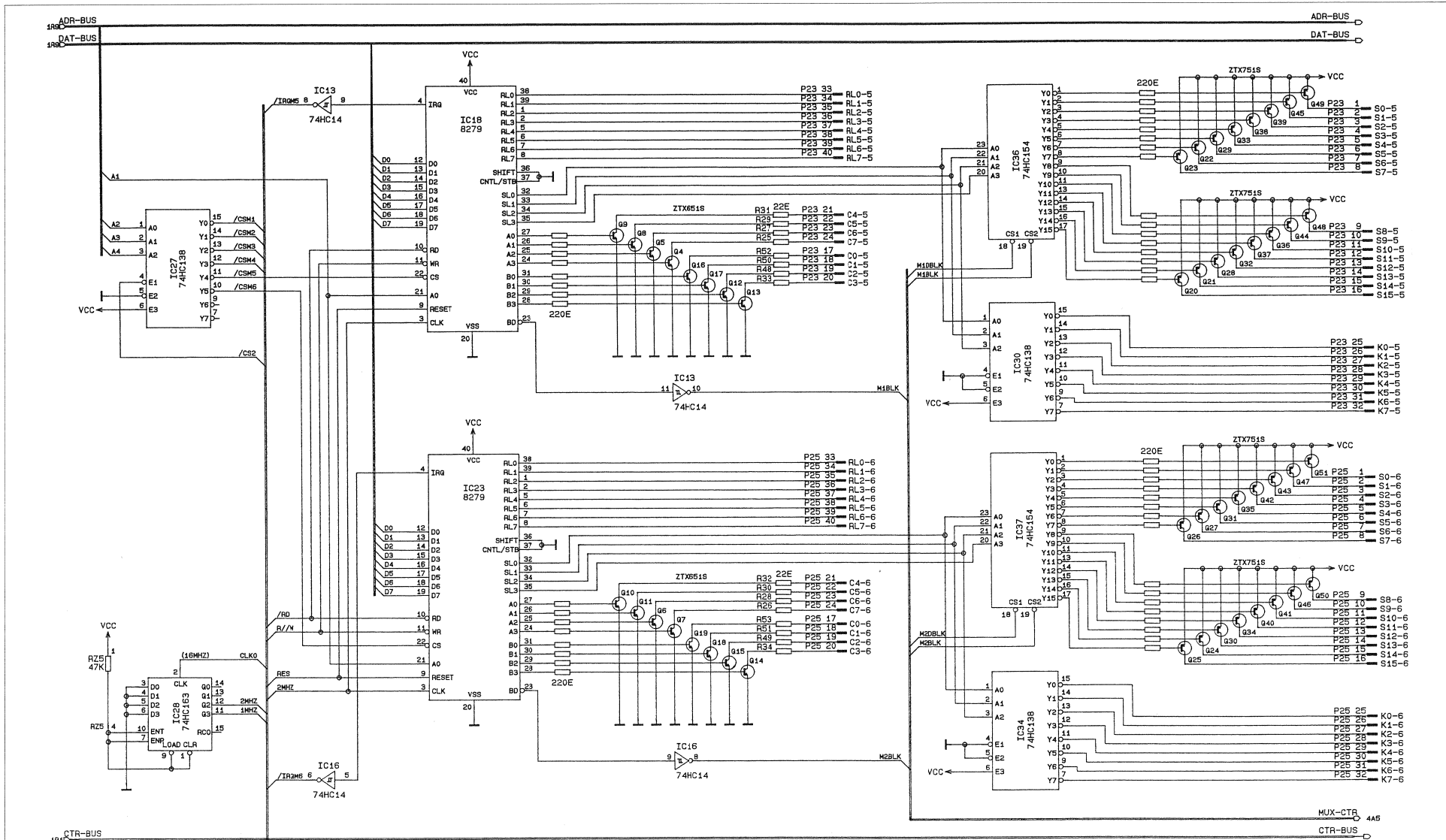
Comments

Channel Controller Board 1.950.753.20
Channel Controller Board 1.950.756.20



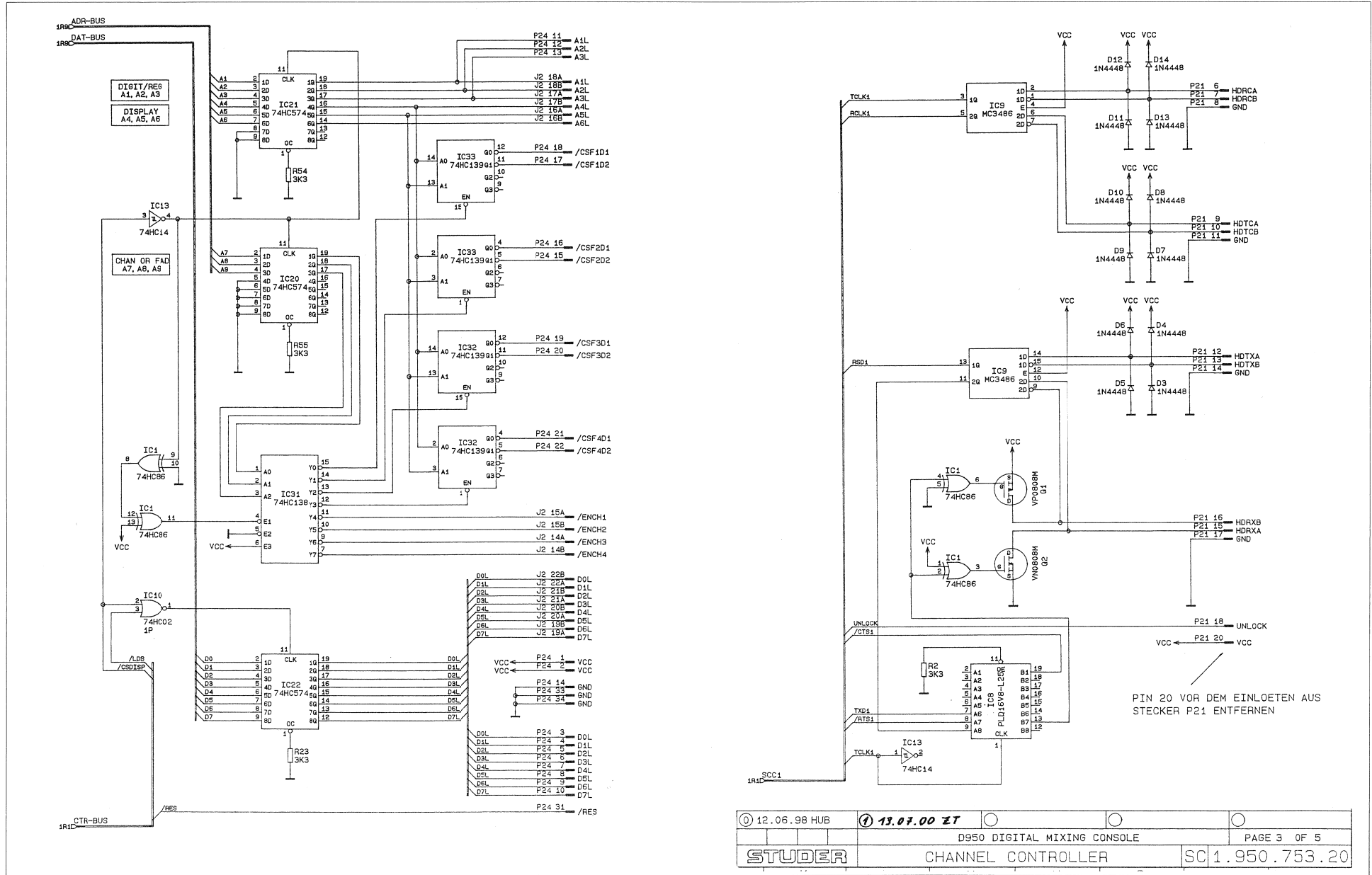


Channel Controller Board 1.950.753.20
Channel Controller Board 1.950.756.20



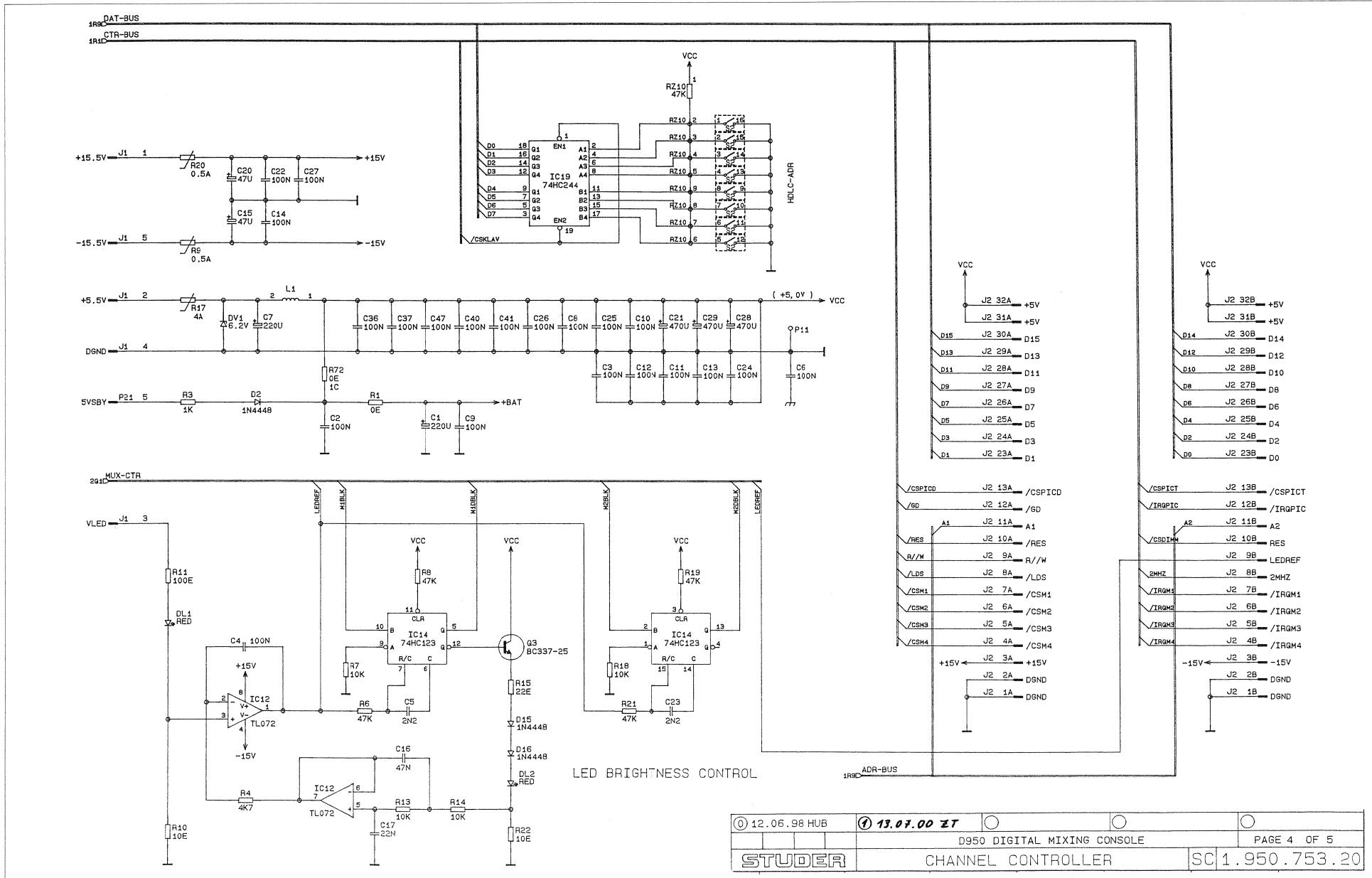
① 12.06.98 HUB	① 13.07.00 ZT		
D950 DIGITAL MIXING CONSOLE		PAGE 2 OF 5	
STUDER		CHANNEL CONTROLLER	SC 1.950.753.20

Channel Controller Board 1.950.753.20
 Channel Controller Board 1.950.756.20



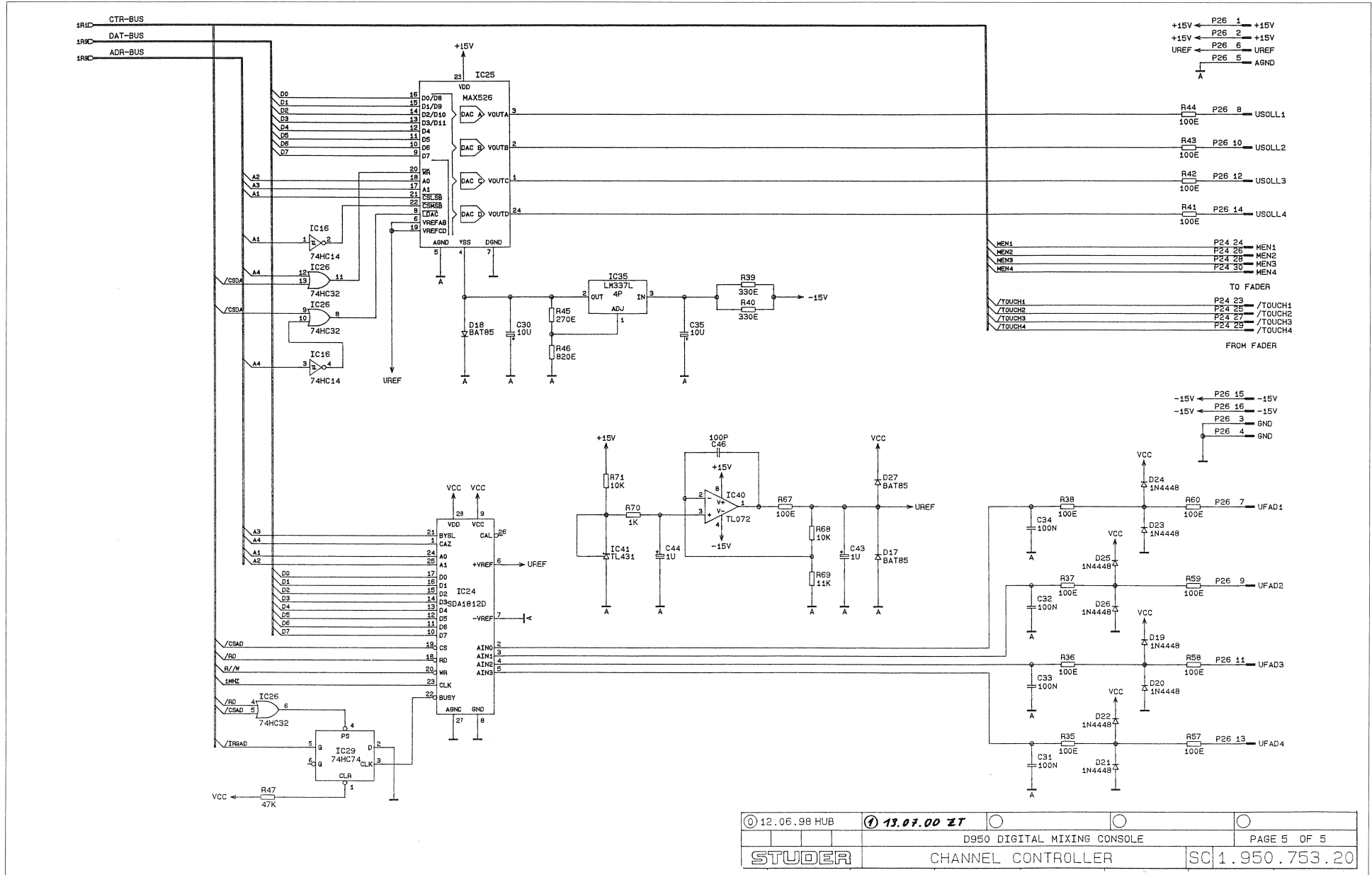


Channel Controller Board 1.950.753.20
Channel Controller Board 1.950.756.20



© 12.06.98 HUB	① 13.07.00 ZT		
D950 DIGITAL MIXING CONSOLE		PAGE 4 OF 5	
STUDER		CHANNEL CONTROLLER	SC 1.950.753.20

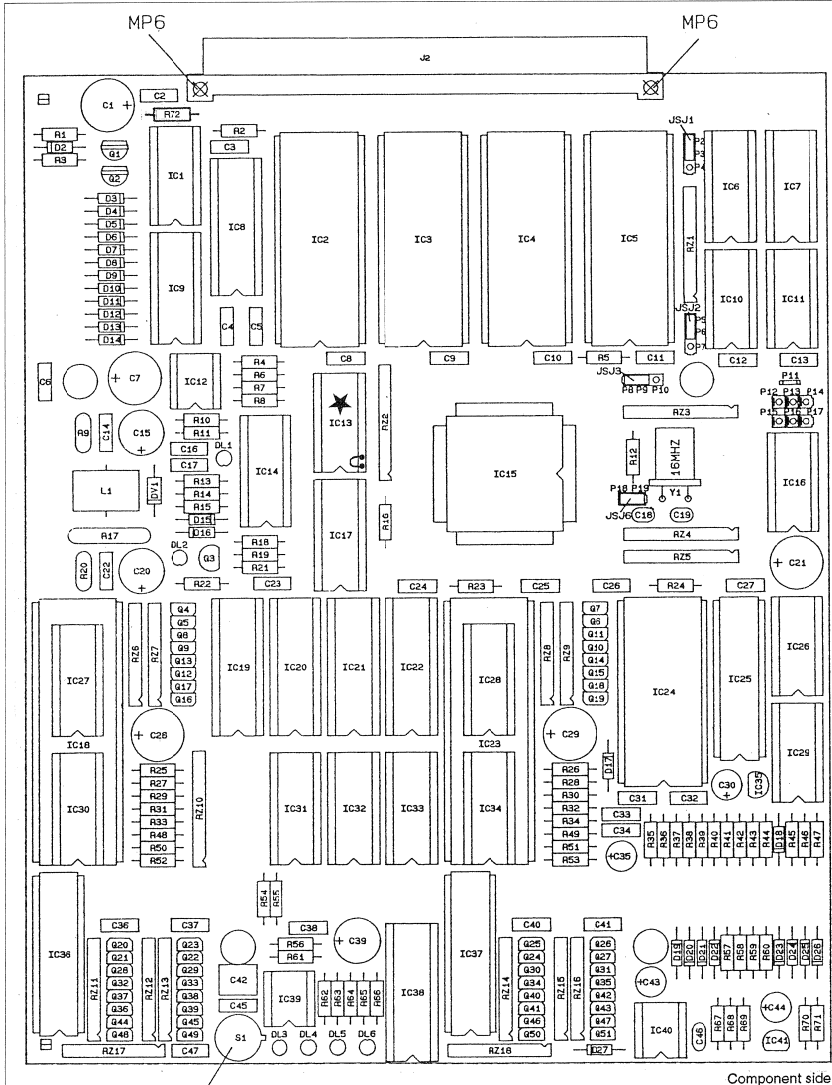
Channel Controller Board 1.950.753.20
 Channel Controller Board 1.950.756.20



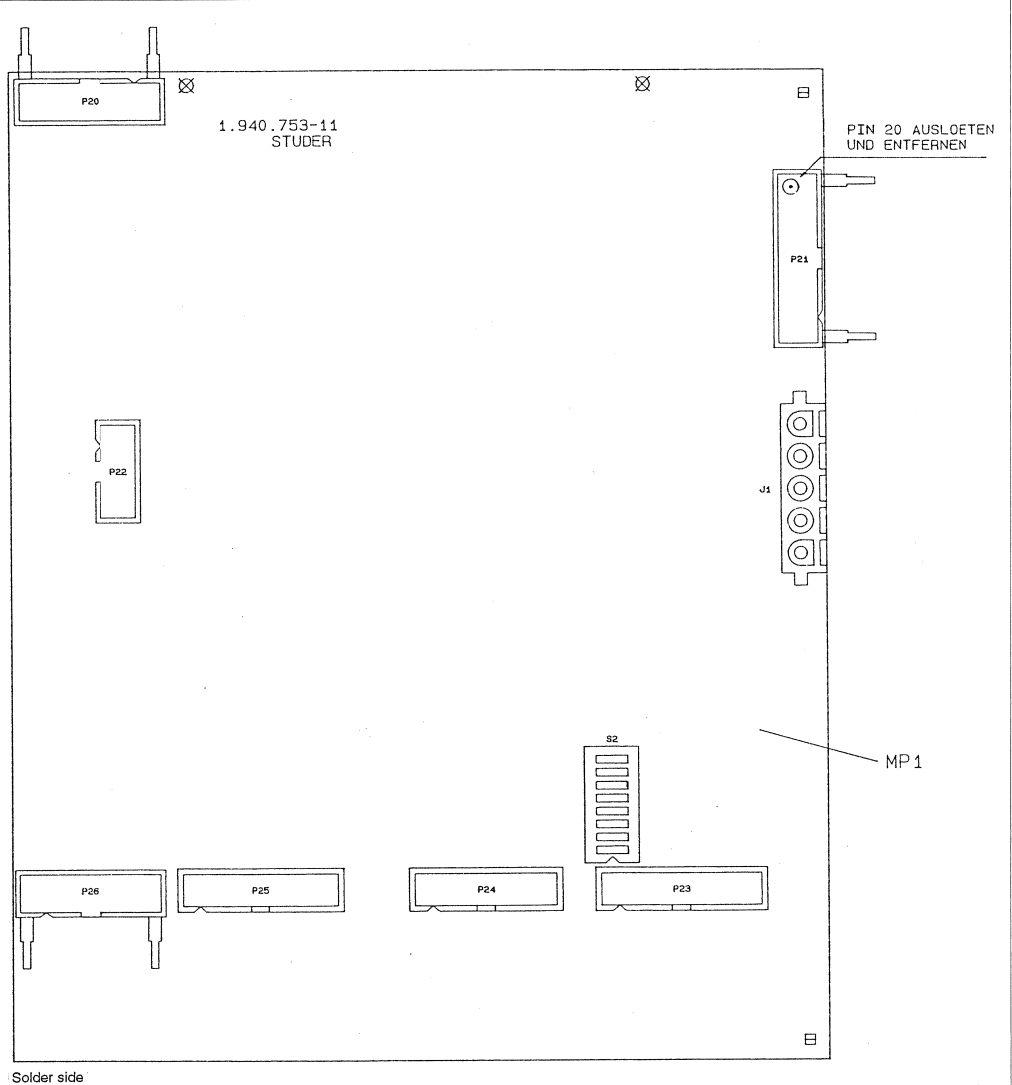
© 12.06.98 HUB	① 13.07.00 ZT		
D950 DIGITAL MIXING CONSOLE		PAGE 5 OF 5	
STUDER		CHANNEL CONTROLLER	SC 1.950.753.20



Channel Controller Board 1.950.753.20
Channel Controller Board 1.950.756.20



Component side



Solder side

MP5

★ IC13: Cut pin 2 before soldering, connect pins 1 and 2 with a piece of wire

○				
○				
○				
○				
○	12.06.98	PG	BP	
IND	DATEM	GEZ.	BEFR.	GES.
BLATT 1 VON 1				



Channel Controller Board I.950.753.20

Idx.	Pos.	Part No.	Qty.	Type/Val.	Description	Idx.	Pos.	Part No.	Qty.	Type/Val.	Description
0	C 1	59.22.5221		220u	EL 25V, 20%, RM5	0	IC 5	1.950.935.20			SW755 HDLC-EPROM (50.14.2009)
0	C 2	59.06.0104		100n	PETP, 63V, 10%, RM5	0	IC 6	50.17.1139		74HC139	IC ... 74 HC 139 .. ,A
0	C 3	59.06.0104		100n	PETP, 63V, 10%, RM5	0	IC 7	50.17.1138		74HC138	IC ... 74 HC 138 .. ,A
0	C 4	59.06.0104		100n	PETP, 63V, 10%, RM5	0	IC 8	50.16.0100		PLD16V8	16 V 8 D - 25 LP
0	C 5	59.06.5222		2n2	PETP, 63V, 5%, RM5	0	IC 9	50.15.0104		MC3486	IC MC 3486 P, DS 3486 N,
0	C 6	59.06.0104		100n	PETP, 63V, 10%, RM5	0	IC 10	50.17.1002		74HC02	IC ... 74 HC 02 .. ,A
0	C 7	59.22.5221		220u	EL 25V, 20%, RM5	0	IC 11	50.17.1032		74HC32	IC ... 74 HC 32 .. ,A
0	C 8	59.06.0104		100n	PETP, 63V, 10%, RM5	0	IC 12	50.09.0101		TL072	IC TL 072 CN .. ,A
0	C 9	59.06.0104		100n	PETP, 63V, 10%, RM5	0	IC 13	50.17.1014		74HC14	IC ... 74 HC 14 .. ,A
0	C 10	59.06.0104		100n	PETP, 63V, 10%, RM5	0	IC 14	50.17.1123		74HC123	IC ... 74 HC 123 .. ,A
0	C 11	59.06.0104		100n	PETP, 63V, 10%, RM5	0	IC 15	50.63.0100		MC68302	MPU 16bit
0	C 12	59.06.0104		100n	PETP, 63V, 10%, RM5	0	IC 16	50.17.1014		74HC14	IC ... 74 HC 14 .. ,A
0	C 13	59.06.0104		100n	PETP, 63V, 10%, RM5	0	IC 17	50.17.1148		74HC148	IC ... 74 HC 148 .. ,A
0	C 14	59.06.0104		100n	PETP, 63V, 10%, RM5	0	IC 18	50.16.0703		82C79	TMP 82 C 79 P-2 (C-MOS)
0	C 15	59.22.6470		47u	EL 40V, 20%, RM5	0	IC 19	50.17.1244		74HC244	IC ... 74 HC 244 .. ,A
0	C 16	59.06.5473		47n	PETP, 63V, 5%, RM5	0	IC 20	50.17.1574		74HC574	IC ... 74 HC 574 .. ,A
0	C 17	59.06.5223		22n	PETP, 63V, 5%, RM5	0	IC 21	50.17.1574		74HC574	IC ... 74 HC 574 .. ,A
0	C 18	59.34.2270		27p	CER 63V, 5%, N150	0	IC 22	50.17.1574		74HC574	IC ... 74 HC 574 .. ,A
0	C 19	59.34.2270		27p	CER 63V, 5%, N150	0	IC 23	50.16.0703		82C79	TMP 82 C 79 P-2 (C-MOS)
0	C 20	59.22.6470		47u	EL 40V, 20%, RM5	0	IC 24	50.19.0204		ADS7832	
0	C 21	59.22.3471		470u	EL 10V, 20%, RM5	0	IC 25	50.19.0113		MAX526D	D/A Converter 12bit
0	C 22	59.06.0104		100n	PETP, 63V, 10%, RM5	0	IC 26	50.17.1032		74HC32	IC ... 74 HC 32 .. ,A
0	C 23	59.06.5222		2n2	PETP, 63V, 5%, RM5	0	IC 27	50.17.1138		74HC138	IC ... 74 HC 138 .. ,A
0	C 24	59.06.0104		100n	PETP, 63V, 10%, RM5	0	IC 28	50.17.1163		74HC163	IC ... 74 HC 163 .. ,A
0	C 25	59.06.0104		100n	PETP, 63V, 10%, RM5	0	IC 29	50.17.1074		74HC74	IC ... 74 HC 74 .. ,A
0	C 26	59.06.0104		100n	PETP, 63V, 10%, RM5	0	IC 30	50.17.1138		74HC138	IC ... 74 HC 138 .. ,A
0	C 27	59.06.0104		100n	PETP, 63V, 10%, RM5	0	IC 31	50.17.1138		74HC138	IC ... 74 HC 138 .. ,A
0	C 28	59.22.3471		470u	EL 10V, 20%, RM5	0	IC 32	50.17.1139		74HC139	IC ... 74 HC 139 .. ,A
0	C 29	59.22.3471		470u	EL 10V, 20%, RM5	0	IC 33	50.17.1139		74HC139	IC ... 74 HC 139 .. ,A
0	C 30	59.22.6100		10u	EL 35V, 20%, RM5	0	IC 34	50.17.1138		74HC138	IC ... 74 HC 138 .. ,A
0	C 31	59.06.0104		100n	PETP, 63V, 10%, RM5	0	IC 35	50.10.0109		LM337L	IC LM 337 LZ,
0	C 32	59.06.0104		100n	PETP, 63V, 10%, RM5	0	IC 36	50.17.1154		74HC154	4-to16 Line driver, DIP 24-300
0	C 33	59.06.0104		100n	PETP, 63V, 10%, RM5	0	IC 37	50.17.1154		74HC154	4-to16 Line driver, DIP 24-300
0	C 34	59.06.0104		100n	PETP, 63V, 10%, RM5	0	IC 38	50.17.1244		74HC244	IC ... 74 HC 244 .. ,A
0	C 35	59.22.6100		10u	EL 35V, 20%, RM5	0	IC 39	50.11.0157		TL7705B	IC TL 7705 BCP,
0	C 36	59.06.0104		100n	PETP, 63V, 10%, RM5	0	IC 40	50.09.0101		TL072	IC TL 072 CN .. ,A
0	C 37	59.06.0104		100n	PETP, 63V, 10%, RM5	0	IC 41	50.10.0106		TL431	IC TL 431 CLP,
0	C 38	59.06.5104		100n	PETP, 63V, 5%, RM5						
0	C 39	59.22.6470		47u	EL 40V, 20%, RM5	0	J 1	54.25.0005		5p	Buchse, 16A, vertikal, PCB
0	C 40	59.06.0104		100n	PETP, 63V, 10%, RM5	0	J 2	54.11.2010		64p	EU-Q 2*32p
0	C 41	59.06.0104		100n	PETP, 63V, 10%, RM5						
1	C 42	59.22.5220		22u	EL 25V 20% RM5	0	JSJ 1	54.01.0021		Jumper	0.63 * 0.63mm
0	C 43	59.22.8109		1u	EL 50V, 20%, RM5	0	JSJ 2	54.01.0021		Jumper	0.63 * 0.63mm
0	C 44	59.22.8109		1u	EL 50V, 20%, RM5	0	JSJ 3	54.01.0021		Jumper	0.63 * 0.63mm
0	C 45	59.06.5104		100n	PETP, 63V, 5%, RM5	0	JSJ 6	54.01.0021		Jumper	0.63 * 0.63mm
0	C 46	59.34.4101		100p	CER 63V, 5%, N750						
0	C 47	59.06.0104		100n	PETP, 63V, 10%, RM5	1	L 1	62.01.0301		110MHz	Breitband-Drossel
0	D 2	50.04.0125		1N4448	75V, 150mA, 4ns, DO-35	0	MP 1	1.940.753.11	1 pce		CHANNEL CONTROLLER PCB //A
0	D 3	50.04.0125		1N4448	75V, 150mA, 4ns, DO-35	0	MP 2	1.950.753.04	1 pce		NR-ETIKETTE 5x20
0	D 4	50.04.0125		1N4448	75V, 150mA, 4ns, DO-35	0	MP 3	1.101.001.20	1 pce	Label	TEXT-ETIK. 5*20 HARDWARE -20
0	D 5	50.04.0125		1N4448	75V, 150mA, 4ns, DO-35	0	MP 4	43.01.0108	1 pce	Label	ESE-WARNSCHILD
0	D 6	50.04.0125		1N4448	75V, 150mA, 4ns, DO-35	0	MP 5	1.010.015.50	1 pce	Spacer	Isolierscheibe
0	D 7	50.04.0125		1N4448	75V, 150mA, 4ns, DO-35	0	MP 6	28.99.0119	2 pcs		ROHRNIETE D 2.5*0.15* 9
0	D 8	50.04.0125		1N4448	75V, 150mA, 4ns, DO-35	1	MP 7	43.10.0110	1 pce	A	Revisions-Etikette 5mm h/blau
0	D 9	50.04.0125		1N4448	75V, 150mA, 4ns, DO-35	0	P 2	54.01.0020		1p	Pin 0.63*0.63
0	D 10	50.04.0125		1N4448	75V, 150mA, 4ns, DO-35	0	P 3	54.01.0020		1p	Pin 0.63*0.63
0	D 11	50.04.0125		1N4448	75V, 150mA, 4ns, DO-35	0	P 4	54.01.0020		1p	Pin 0.63*0.63
0	D 12	50.04.0125		1N4448	75V, 150mA, 4ns, DO-35	0	P 5	54.01.0020		1p	Pin 0.63*0.63
0	D 13	50.04.0125		1N4448	75V, 150mA, 4ns, DO-35	0	P 6	54.01.0020		1p	Pin 0.63*0.63
0	D 14	50.04.0125		1N4448	75V, 150mA, 4ns, DO-35	0	P 7	54.01.0020		1p	Pin 0.63*0.63
0	D 15	50.04.0125		1N4448	75V, 150mA, 4ns, DO-35	0	P 8	54.01.0020		1p	Pin 0.63*0.63
0	D 16	50.04.0125		1N4448	75V, 150mA, 4ns, DO-35	0	P 9	54.01.0020		1p	Pin 0.63*0.63
0	D 17	50.04.0127		BAT85	200mA, Schottky	0	P 10	54.01.0020		1p	Pin 0.63*0.63
0	D 18	50.04.0127		BAT85	200mA, Schottky	0	P 11	54.02.0320		1p	Flatpin, 2.8*0.8mm
0	D 19	50.04.0125		1N4448	75V, 150mA, 4ns, DO-35	0	P 12	54.01.0020		1p	Pin 0.63*0.63
0	D 20	50.04.0125		1N4448	75V, 150mA, 4ns, DO-35	0	P 13	54.01.0020		1p	Pin 0.63*0.63
0	D 21	50.04.0125		1N4448	75V, 150mA, 4ns, DO-35	0	P 14	54.01.0020		1p	Pin 0.63*0.63
0	D 22	50.04.0125		1N4448	75V, 150mA, 4ns, DO-35	0	P 15	54.01.0020		1p	Pin 0.63*0.63
0	D 23	50.04.0125		1N4448	75V, 150mA, 4ns, DO-35	0	P 16	54.01.0020		1p	Pin 0.63*0.63
0	D 24	50.04.0125		1N4448	75V, 150mA, 4ns, DO-35	0	P 17	54.01.0020		1p	Pin 0.63*0.63
0	D 25	50.04.0125		1N4448	75V, 150mA, 4ns, DO-35	0	P 18	54.01.0020		1p	Pin 0.63*0.63
0	D 26	50.04.0125		1N4448	75V, 150mA, 4ns, DO-35	0	P 19	54.01.0020		1p	Pin 0.63*0.63
0	D 27	50.04.0127		BAT85	200mA, Schottky	0	P 20	54.14.2102		16p	P STECKER 16 P,AU,VR,GERADE
0	DL 1	50.04.2129		LS3360	DL LS 3360 , RT DIFF	0	P 21	54.14.2103		20p	P STECKER 20 P,AU,VR,GERADE
0	DL 2	50.04.2129		LS3360	DL LS 3360 , RT DIFF	0	P 22	54.14.2001		10p	1/20" Au, gerade, ohne Verrieg
0	DL 3	50.04.2129		LS3360	DL LS 3360 , RT DIFF	0	P 23	54.16.0540		40p	P 1/40", 40 P, AU, PRINT
0	DL 4	50.04.2129		LS3360	DL LS 3360 , RT DIFF	0	P 24	54.16.0534		34p	P 1/40", 34 P, AU, PRINT
0	DL 5	50.04.2131		LG3360	DL LG 3360 , GN DIFF	0	P 25	54.16.0540		40p	P 1/40", 40 P, AU, PRINT
0	DL 6	50.04.2130		LY3360	DL LY 3360 , GB DIFF	0	P 26	54.14.2102		16p	P STECKER 16 P,AU,VR,GERADE
0	DV 1	50.04.1511		6V2	Zener, 5%, 1.3W, DO-41	0	Q 1	50.03.1554		VP0808M	VP 0808 M
0	IC 1	50.17.1086		74HC86	IC ... 74 HC 86 .. ,A	0	Q 2	50.03.1505		VN0808M	VN 0808 M, ZVN 0108 A
0	IC 2	1.950.935.20		SW755 HDLC-EPROM (50.14.2009)		0	Q 3	50.43.0340			Q BC 337-25,
0	IC 3	50.14.1010		TC551001-85	SRAM 128K*8, 85ns	0	Q 4	50.03.0523		ZTX651	ZTX 651
0	IC 4	50.14.1010		TC551001-85	SRAM 128K*8, 85ns	0	Q 5	50.03.0523		ZTX651	ZTX 651
						0	Q 6	50.03.0523		ZTX651	ZTX 651



Channel Controller Board I.950.753.20

Idx.	Pos.	Part No.	Qty.	Type/Val.	Description	Idx.	Pos.	Part No.	Qty.	Type/Val.	Description
0	Q 7	50.03.0523		ZTX651	ZTX 651	0	R 42	57.11.3101		100R	MF, 1%, 0207
0	Q 8	50.03.0523		ZTX651	ZTX 651	0	R 43	57.11.3101		100R	MF, 1%, 0207
0	Q 9	50.03.0523		ZTX651	ZTX 651	0	R 44	57.11.3101		100R	MF, 1%, 0207
0	Q 10	50.03.0523		ZTX651	ZTX 651	0	R 45	57.11.3271		270R	MF, 1%, 0207
0	Q 11	50.03.0523		ZTX651	ZTX 651	0	R 46	57.11.3821		820R	MF, 1%, 0207
U	Q 12	50.03.0523		ZTX651	ZTX 651	U	K 47	57.11.3473		47k	MF, 1%, 0207
0	Q 13	50.03.0523		ZTX651	ZTX 651	0	R 48	57.11.3220		22R	MF, 1%, 0207
0	Q 14	50.03.0523		ZTX651	ZTX 651	0	R 49	57.11.3220		22R	MF, 1%, 0207
0	Q 15	50.03.0523		ZTX651	ZTX 651	0	R 50	57.11.3220		22R	MF, 1%, 0207
0	Q 16	50.03.0523		ZTX651	ZTX 651	0	R 51	57.11.3220		22R	MF, 1%, 0207
0	Q 17	50.03.0523		ZTX651	ZTX 651	0	R 52	57.11.3220		22R	MF, 1%, 0207
0	Q 18	50.03.0523		ZTX651	ZTX 651	0	R 53	57.11.3220		22R	MF, 1%, 0207
0	Q 19	50.03.0523		ZTX651	ZTX 651	0	R 54	57.11.3332		3k3	MF, 1%, 0207
0	Q 20	50.03.0352		ZTX751S	ZTX 751 S	0	R 55	57.11.3332		3k3	MF, 1%, 0207
0	Q 21	50.03.0352		ZTX751S	ZTX 751 S	0	R 56	57.11.3221		220R	MF, 1%, 0207
0	Q 22	50.03.0352		ZTX751S	ZTX 751 S	0	R 57	57.11.3101		100R	MF, 1%, 0207
0	Q 23	50.03.0352		ZTX751S	ZTX 751 S	0	R 58	57.11.3101		100R	MF, 1%, 0207
0	Q 24	50.03.0352		ZTX751S	ZTX 751 S	0	R 59	57.11.3101		100R	MF, 1%, 0207
0	Q 25	50.03.0352		ZTX751S	ZTX 751 S	0	R 60	57.11.3101		100R	MF, 1%, 0207
0	Q 26	50.03.0352		ZTX751S	ZTX 751 S	0	R 61	57.11.3100		10R	MF, 1%, 0207
0	Q 27	50.03.0352		ZTX751S	ZTX 751 S	0	R 62	57.11.3332		3k3	MF, 1%, 0207
0	Q 28	50.03.0352		ZTX751S	ZTX 751 S	0	R 63	57.11.3271		270R	MF, 1%, 0207
0	Q 29	50.03.0352		ZTX751S	ZTX 751 S	0	R 64	57.11.3271		270R	MF, 1%, 0207
0	Q 30	50.03.0352		ZTX751S	ZTX 751 S	0	R 65	57.11.3271		270R	MF, 1%, 0207
0	Q 31	50.03.0352		ZTX751S	ZTX 751 S	0	R 66	57.11.3271		270R	MF, 1%, 0207
0	Q 32	50.03.0352		ZTX751S	ZTX 751 S	0	R 67	57.11.3101		100R	MF, 1%, 0207
0	Q 33	50.03.0352		ZTX751S	ZTX 751 S	0	R 68	57.11.3103		10k	MF, 1%, 0207
0	Q 34	50.03.0352		ZTX751S	ZTX 751 S	0	R 69	57.11.3113		11k	MF, 1%, 0207
0	Q 35	50.03.0352		ZTX751S	ZTX 751 S	0	R 70	57.11.3102		1k0	MF, 1%, 0207
0	Q 36	50.03.0352		ZTX751S	ZTX 751 S	0	R 71	57.11.3103		10k	MF, 1%, 0207
0	Q 37	50.03.0352		ZTX751S	ZTX 751 S	0	R 72	57.11.3000		0R0	MF, 0207
0	Q 38	50.03.0352		ZTX751S	ZTX 751 S						
0	Q 39	50.03.0352		ZTX751S	ZTX 751 S	0	RZ 1	57.88.4473		47k	8*R Resistor-Netw 2% SIF9
0	Q 40	50.03.0352		ZTX751S	ZTX 751 S	0	RZ 2	57.88.4473		47k	8*R Resistor-Netw 2% SIF9
0	Q 41	50.03.0352		ZTX751S	ZTX 751 S	0	RZ 3	57.88.4473		47k	8*R Resistor-Netw 2% SIF9
0	Q 42	50.03.0352		ZTX751S	ZTX 751 S	0	RZ 4	57.88.4473		47k	8*R Resistor-Netw 2% SIF9
0	Q 43	50.03.0352		ZTX751S	ZTX 751 S	0	RZ 5	57.88.4473		47k	8*R Resistor-Netw 2% SIF9
0	Q 44	50.03.0352		ZTX751S	ZTX 751 S	0	RZ 6	57.88.2221		220R	4*R Resistor-Netw 2% SIF9
0	Q 45	50.03.0352		ZTX751S	ZTX 751 S	0	RZ 7	57.88.2221		220R	4*R Resistor-Netw 2% SIF9
0	Q 46	50.03.0352		ZTX751S	ZTX 751 S	0	RZ 8	57.88.2221		220R	4*R Resistor-Netw 2% SIF9
0	Q 47	50.03.0352		ZTX751S	ZTX 751 S	0	RZ 9	57.88.2221		220R	4*R Resistor-Netw 2% SIF9
0	Q 48	50.03.0352		ZTX751S	ZTX 751 S	0	RZ 10	57.88.4473		47k	8*R Resistor-Netw 2% SIF9
0	Q 49	50.03.0352		ZTX751S	ZTX 751 S	0	RZ 11	57.88.2221		220R	4*R Resistor-Netw 2% SIF9
0	Q 50	50.03.0352		ZTX751S	ZTX 751 S	0	RZ 12	57.88.2221		220R	4*R Resistor-Netw 2% SIF9
0	Q 51	50.03.0352		ZTX751S	ZTX 751 S	0	RZ 13	57.88.2221		220R	4*R Resistor-Netw 2% SIF9
						0	RZ 14	57.88.2221		220R	4*R Resistor-Netw 2% SIF9
						0	RZ 15	57.88.2221		220R	4*R Resistor-Netw 2% SIF9
0	R 1	57.11.3000		0R0	MF, 0207	0	RZ 16	57.88.2221		220R	4*R Resistor-Netw 2% SIF9
0	R 2	57.11.3332		3k3	MF, 1%, 0207	0	RZ 17	57.88.2221		220R	4*R Resistor-Netw 2% SIF9
0	R 3	57.11.3102		1k0	MF, 1%, 0207	0	RZ 18	57.88.2221		220R	4*R Resistor-Netw 2% SIF9
0	R 4	57.11.3472		4k7	MF, 1%, 0207						
0	R 5	57.11.3332		3k3	MF, 1%, 0207	0	S 1	55.03.0122		1*a	S 1 TASTE, 1*A, PRINT,IMPULS
0	R 6	57.11.3473		47k	MF, 1%, 0207	0	S 2	55.01.0168		8*a	SZ , 8*A, DIL
0	R 7	57.11.3103		10k	MF, 1%, 0207						
0	R 8	57.11.3473		47k	MF, 1%, 0207	0	XIC 2	53.03.0184		32p	DIL 0.6", lot, gerade
0	R 9	57.92.7013		0.5A	POLY- PTC, 60V	0	XIC 3	53.03.0184		32p	DIL 0.6", lot, gerade
0	R 10	57.11.3100		10R	MF, 1%, 0207	0	XIC 4	53.03.0184		32p	DIL 0.6", lot, gerade
0	R 11	57.11.3101		100R	MF, 1%, 0207	0	XIC 5	53.03.0184		32p	DIL 0.6", lot, gerade
0	R 12	57.11.3684		680k	MF, 1%, 0207	0	XIC 8	53.03.0165		20p	DIL 0.3", lot, gerade
0	R 13	57.11.3103		10k	MF, 1%, 0207	0	XIC 9	53.03.0168		16p	DIL 0.3", lot, gerade
0	R 14	57.11.3103		10k	MF, 1%, 0207	0	XIC 18	53.03.0218		1p	single-in-line
0	R 15	57.11.3220		22R	MF, 1%, 0207	0	XIC 23	53.03.0218		1p	single-in-line
0	R 16	57.11.3332		3k3	MF, 1%, 0207	0	XIC 24	53.03.0173		28p	DIL 0.6", lot, gerade
0	R 17	57.92.7058		4.0A	POLY- PTC, 30V	0	XIC 25	53.03.0182		24p	DIL 0.3", lot, gerade
0	R 18	57.11.3103		10k	MF, 1%, 0207						
0	R 19	57.11.3473		47k	MF, 1%, 0207						
0	R 20	57.92.7013		0.5A	POLY- PTC, 60V	0	Y 1	89.01.1009		16.000MHz	16.000 000 MHz, HC 49/U
0	R 21	57.11.3473		47k	MF, 1%, 0207						
0	R 22	57.11.3100		10R	MF, 1%, 0207						
0	R 23	57.11.3332		3k3	MF, 1%, 0207						
0	R 24	57.11.3332		3k3	MF, 1%, 0207						
0	R 25	57.11.3220		22R	MF, 1%, 0207						
0	R 26	57.11.3220		22R	MF, 1%, 0207						
0	R 27	57.11.3220		22R	MF, 1%, 0207						
0	R 28	57.11.3220		22R	MF, 1%, 0207						
0	R 29	57.11.3220		22R	MF, 1%, 0207						
0	R 30	57.11.3220		22R	MF, 1%, 0207						
0	R 31	57.11.3220		22R	MF, 1%, 0207						
0	R 32	57.11.3220		22R	MF, 1%, 0207						
0	R 33	57.11.3220		22R	MF, 1%, 0207						
0	R 34	57.11.3220		22R	MF, 1%, 0207						
0	R 35	57.11.3101		100R	MF, 1%, 0207						
0	R 36	57.11.3101		100R	MF, 1%, 0207						
0	R 37	57.11.3101		100R	MF, 1%, 0207						
0	R 38	57.11.3101		100R	MF, 1%, 0207						
0	R 39	57.11.3331		330R	MF, 1%, 0207						
0	R 40	57.11.3331		330R	MF, 1%, 0207						
0	R 41	57.11.3101		100R	MF, 1%, 0207						

End of List

Comments



Channel Controller Board I.950.756.20

Idx.	Pos.	Part No.	Qty.	Type/Val.	Description	Idx.	Pos.	Part No.	Qty.	Type/Val.	Description
0	C 1	59.22.5221	220u		EL 25V, 20%, RM5	0	IC 5	1.950.940.21			SW720 HDLC-EPROM (50.14.2009)
0	C 2	59.06.0104	100n		PETP, 63V, 10%, RM5	0	IC 6	50.17.1139		74HC139	IC ... 74 HC 139 .., A
0	C 3	59.06.0104	100n		PETP, 63V, 10%, RM5	0	IC 7	50.17.1138		74HC139	IC ... 74 HC 139 .., A
0	C 4	59.06.0104	100n		PETP, 63V, 10%, RM5	0	IC 8	50.18.0100		PLD16V8	16 V 8 D - 25 LP
0	C 5	59.06.5222	2n2		PETP, 63V, 5%, RM5	0	IC 9	50.15.0104		MC3486	IC MC 3486 P, DS 3486 N,
0	C 6	59.06.0104	100n		PETP, 63V, 10%, RM5	0	IC 10	50.17.1002		74HC02	IC ... 74 HC 02 .., A
0	C 7	59.22.5221	220u		EL 25V, 20%, RM5	0	IC 11	50.17.1032		74HC32	IC ... 74 HC 32 .., A
0	C 8	59.06.0104	100n		PETP, 63V, 10%, RM5	0	IC 12	50.09.0101		TL072	IC TL 072 CN .., A
0	C 9	59.06.0104	100n		PETP, 63V, 10%, RM5	0	IC 13	50.17.1014		74HC14	IC ... 74 HC 14 .., A
0	C 10	59.06.0104	100n		PETP, 63V, 10%, RM5	0	IC 14	50.17.1123		74HC123	IC ... 74 HC 123 .., A
0	C 11	59.06.0104	100n		PETP, 63V, 10%, RM5	0	IC 15	50.63.0100		MC68302	MPU 16bit
0	C 12	59.06.0104	100n		PETP, 63V, 10%, RM5	0	IC 16	50.17.1014		74HC14	IC ... 74 HC 14 .., A
0	C 13	59.06.0104	100n		PETP, 63V, 10%, RM5	0	IC 17	50.17.1148		74HC148	IC ... 74 HC 148 .., A
0	C 14	59.06.0104	100n		PETP, 63V, 10%, RM5	0	IC 18	50.16.0703		82C79	TMP 82 C 79 P-2 (C-MOS)
0	C 15	59.22.6470	47u		EL 40V, 20%, RM5	0	IC 19	50.17.1244		74HC244	IC ... 74 HC 244 .., A
0	C 16	59.06.5473	47n		PETP, 63V, 5%, RM5	0	IC 20	50.17.1574		74HC574	IC ... 74 HC 574 .., A
0	C 17	59.06.5223	22n		PETP, 63V, 5%, RM5	0	IC 21	50.17.1574		74HC574	IC ... 74 HC 574 .., A
0	C 18	59.34.2270	27p		CER 63V, 5%, N150	0	IC 22	50.17.1574		74HC574	IC ... 74 HC 574 .., A
0	C 19	59.34.2270	27p		CER 63V, 5%, N150	0	IC 23	50.16.0703		82C79	TMP 82 C 79 P-2 (C-MOS)
0	C 20	59.22.6470	47u		EL 40V, 20%, RM5	0	IC 24	50.19.0204		ADS7832	
0	C 21	59.22.3471	470u		EL 10V, 20%, RM5	0	IC 25	50.19.0113		MAX526D	D/A Converter 12bit
0	C 22	59.06.0104	100n		PETP, 63V, 10%, RM5	0	IC 26	50.17.1032		74HC32	IC ... 74 HC 32 .., A
0	C 23	59.06.5222	2n2		PETP, 63V, 5%, RM5	0	IC 27	50.17.1138		74HC138	IC ... 74 HC 138 .., A
0	C 24	59.06.0104	100n		PETP, 63V, 10%, RM5	0	IC 28	50.17.1163		74HC163	IC ... 74 HC 163 .., A
0	C 25	59.06.0104	100n		PETP, 63V, 10%, RM5	0	IC 29	50.17.1074		74HC74	IC ... 74 HC 74 .., A
0	C 26	59.06.0104	100n		PETP, 63V, 10%, RM5	0	IC 30	50.17.1138		74HC138	IC ... 74 HC 138 .., A
0	C 27	59.06.0104	100n		PETP, 63V, 10%, RM5	0	IC 31	50.17.1138		74HC138	IC ... 74 HC 138 .., A
0	C 28	59.22.3471	470u		EL 10V, 20%, RM5	0	IC 32	50.17.1139		74HC139	IC ... 74 HC 139 .., A
0	C 29	59.22.3471	470u		EL 10V, 20%, RM5	0	IC 33	50.17.1139		74HC139	IC ... 74 HC 139 .., A
0	C 30	59.22.6100	10u		EL 35V, 20%, RM5	0	IC 34	50.17.1138		74HC138	IC ... 74 HC 138 .., A
0	C 31	59.06.0104	100n		PETP, 63V, 10%, RM5	0	IC 35	50.10.0109		LM337L	IC LM 337 LZ,
0	C 32	59.06.0104	100n		PETP, 63V, 10%, RM5	0	IC 36	50.17.1154		74HC154	4-to16 Line driver, DIP 24-300
0	C 33	59.06.0104	100n		PETP, 63V, 10%, RM5	0	IC 37	50.17.1154		74HC154	4-to16 Line driver, DIP 24-300
0	C 34	59.06.0104	100n		PETP, 63V, 10%, RM5	0	IC 38	50.17.1244		74HC244	IC ... 74 HC 244 .., A
0	C 35	59.22.6100	10u		EL 35V, 20%, RM5	0	IC 39	50.11.0157		TL7705BCP	IC TL 7705 BCP,
0	C 36	59.06.0104	100n		PETP, 63V, 10%, RM5	0	IC 40	50.09.0101		TL072	IC TL 072 CN .., A
0	C 37	59.06.0104	100n		PETP, 63V, 10%, RM5	0	IC 41	50.10.0106		TL431	IC TL 431 CLP,
0	C 38	59.06.5104	100n		PETP, 63V, 5%, RM5						
0	C 39	59.22.6470	47u		EL 40V, 20%, RM5	0	J 1	54.25.0005	5p		Buchse, 16A, vertikal, PCB
0	C 40	59.06.0104	100n		PETP, 63V, 10%, RM5	0	J 2	54.11.0130	32 pcs	2p	P STIFT,2R WNKL 2 PIN=1 STK.
0	C 41	59.06.0104	100n		PETP, 63V, 10%, RM5						
0	C 42	59.06.5105	1u0		PETP, 50V, 5%, RM5	0	JSJ 1	54.01.0021		Jumper	0.63 * 0.63mm
0	C 43	59.22.8109	1u		EL 50V, 20%, RM5	0	JSJ 2	54.01.0021		Jumper	0.63 * 0.63mm
0	C 44	59.22.8109	1u		EL 50V, 20%, RM5	0	JSJ 3	54.01.0021		Jumper	0.63 * 0.63mm
0	C 45	59.06.5104	100n		PETP, 63V, 5%, RM5	0	JSJ 6	54.01.0021		Jumper	0.63 * 0.63mm
0	C 46	59.34.4101	100p		CER 63V, 5%, N750						
0	C 47	59.06.0104	100n		PETP, 63V, 10%, RM5						
0	D 2	50.04.0125	1N4448		75V, 150mA, 4ns, DO-35	0	L 1	62.03.0010		48uH	2A Toroid Chocke
0	D 3	50.04.0125	1N4448		75V, 150mA, 4ns, DO-35	0	MP 1	1.940.753.11	1 mp		CHANNEL CONTROLLER PCB
0	D 4	50.04.0125	1N4448		75V, 150mA, 4ns, DO-35	0	MP 2	1.950.756.04	1 mp		NR -ETIKETTE 5x20
0	D 5	50.04.0125	1N4448		75V, 150mA, 4ns, DO-35	0	MP 3	1.101.001.20	1 mp	Label	TEXT-ETIK. 5*20 HARDWARE -20
0	D 6	50.04.0125	1N4448		75V, 150mA, 4ns, DO-35	0	MP 4	43.01.0108	1 mp	Label	ESE-WARNschild
0	D 7	50.04.0125	1N4448		75V, 150mA, 4ns, DO-35	0	MP 5	1.010.015.50	1 mp	Spacer	ISOLIER-SCHIEBE ZU T 5
0	D 8	50.04.0125	1N4448		75V, 150mA, 4ns, DO-35	0	MP 6	not used	2 mp		ROHRNIETE D.2.5*0.15* 9
0	D 9	50.04.0125	1N4448		75V, 150mA, 4ns, DO-35						
0	D 10	50.04.0125	1N4448		75V, 150mA, 4ns, DO-35	0	P 2	54.01.0020	1p		Pin 0.63*0.63
0	D 11	50.04.0125	1N4448		75V, 150mA, 4ns, DO-35	0	P 3	54.01.0020	1p		Pin 0.63*0.63
0	D 12	50.04.0125	1N4448		75V, 150mA, 4ns, DO-35	0	P 4	54.01.0020	1p		Pin 0.63*0.63
0	D 13	50.04.0125	1N4448		75V, 150mA, 4ns, DO-35	0	P 5	54.01.0020	1p		Pin 0.63*0.63
0	D 14	50.04.0125	1N4448		75V, 150mA, 4ns, DO-35	0	P 6	54.01.0020	1p		Pin 0.63*0.63
0	D 15	50.04.0125	1N4448		75V, 150mA, 4ns, DO-35	0	P 7	54.01.0020	1p		Pin 0.63*0.63
0	D 16	50.04.0125	1N4448		75V, 150mA, 4ns, DO-35	0	P 8	54.01.0020	1p		Pin 0.63*0.63
0	D 17	50.04.0127	BAT85		200mA, Schottky	0	P 9	54.01.0020	1p		Pin 0.63*0.63
0	D 18	50.04.0127	BAT85		200mA, Schottky	0	P 10	54.01.0020	1p		Pin 0.63*0.63
0	D 19	50.04.0125	1N4448		75V, 150mA, 4ns, DO-35	0	P 11	54.02.0320	1p		Flatpin, 2.8*0.8mm
0	D 20	50.04.0125	1N4448		75V, 150mA, 4ns, DO-35	0	P 12	54.01.0020	1p		Pin 0.63*0.63
0	D 21	50.04.0125	1N4448		75V, 150mA, 4ns, DO-35	0	P 13	54.01.0020	1p		Pin 0.63*0.63
0	D 22	50.04.0125	1N4448		75V, 150mA, 4ns, DO-35	0	P 14	54.01.0020	1p		Pin 0.63*0.63
0	D 23	50.04.0125	1N4448		75V, 150mA, 4ns, DO-35	0	P 15	54.01.0020	1p		Pin 0.63*0.63
0	D 24	50.04.0125	1N4448		75V, 150mA, 4ns, DO-35	0	P 16	54.01.0020	1p		Pin 0.63*0.63
0	D 25	50.04.0125	1N4448		75V, 150mA, 4ns, DO-35	0	P 17	54.01.0020	1p		Pin 0.63*0.63
0	D 26	50.04.0125	1N4448		75V, 150mA, 4ns, DO-35	0	P 18	54.01.0020	1p		Pin 0.63*0.63
0	D 27	50.04.0127	BAT85		200mA, Schottky	0	P 19	54.01.0020	1p		Pin 0.63*0.63
0	DL 1	50.04.2129	LS3360		DL LS 3360, RT DIFF	0	P 20	54.14.2102	16p		P STECKER 16 P,AU,VR,GERADE
0	DL 2	50.04.2129	LS3360		DL LS 3360, RT DIFF	0	P 21	54.14.2103	20p		P STECKER 20 P,AU,VR,GERADE
0	DL 3	50.04.2129	LS3360		DL LS 3360, RT DIFF	0	P 22	54.14.2001	10p		1/20" Au, gerade, ohne Verrieg
0	DL 4	50.04.2129	LS3360		DL LS 3360, RT DIFF	0	P 23	54.16.0540	40p		P 1/40", 40 P, AU, PRINT
0	DL 5	50.04.2131	LG3360		DL LG 3360, GN DIFF	0	P 24	54.16.0534	34p		P 1/40", 34 P, AU, PRINT
0	DL 6	50.04.2130	LY3360		DL LY 3360, GB DIFF	0	P 25	54.16.0540	40p		P 1/40", 40 P, AU, PRINT
0	DV 1	50.04.1511	6V2		Zener, 5%, 1.3W, DO-41	0	P 26	54.14.2102	16p		P STECKER 16 P,AU,VR,GERADE
0	IC 1	50.17.1086	74HC86		IC ... 74 HC 86 .., A	0	Q 1	50.03.1554		VP0808M	VP 0808 M
0	IC 2	1.950.940.21			SW720 HDLC-EPROM (50.14.2009)	0	Q 2	50.03.1505		VN0808M	VN 0808 M, ZVN 0108 A
0	IC 3	50.14.1010			TC551001-85 SRAM 128K*8, 85ns	0	Q 3	50.43.0340			Q BC 337-25,
0	IC 4	50.14.1010			TC551001-85 SRAM 128K*8, 85ns	0	Q 4	50.03.0523		ZTX651	ZTX 651
						0	Q 5	50.03.0523		ZTX651	ZTX 651
						0	Q 6	50.03.0523		ZTX651	ZTX 651
						0	Q 7	50.03.0523		ZTX651	ZTX 651



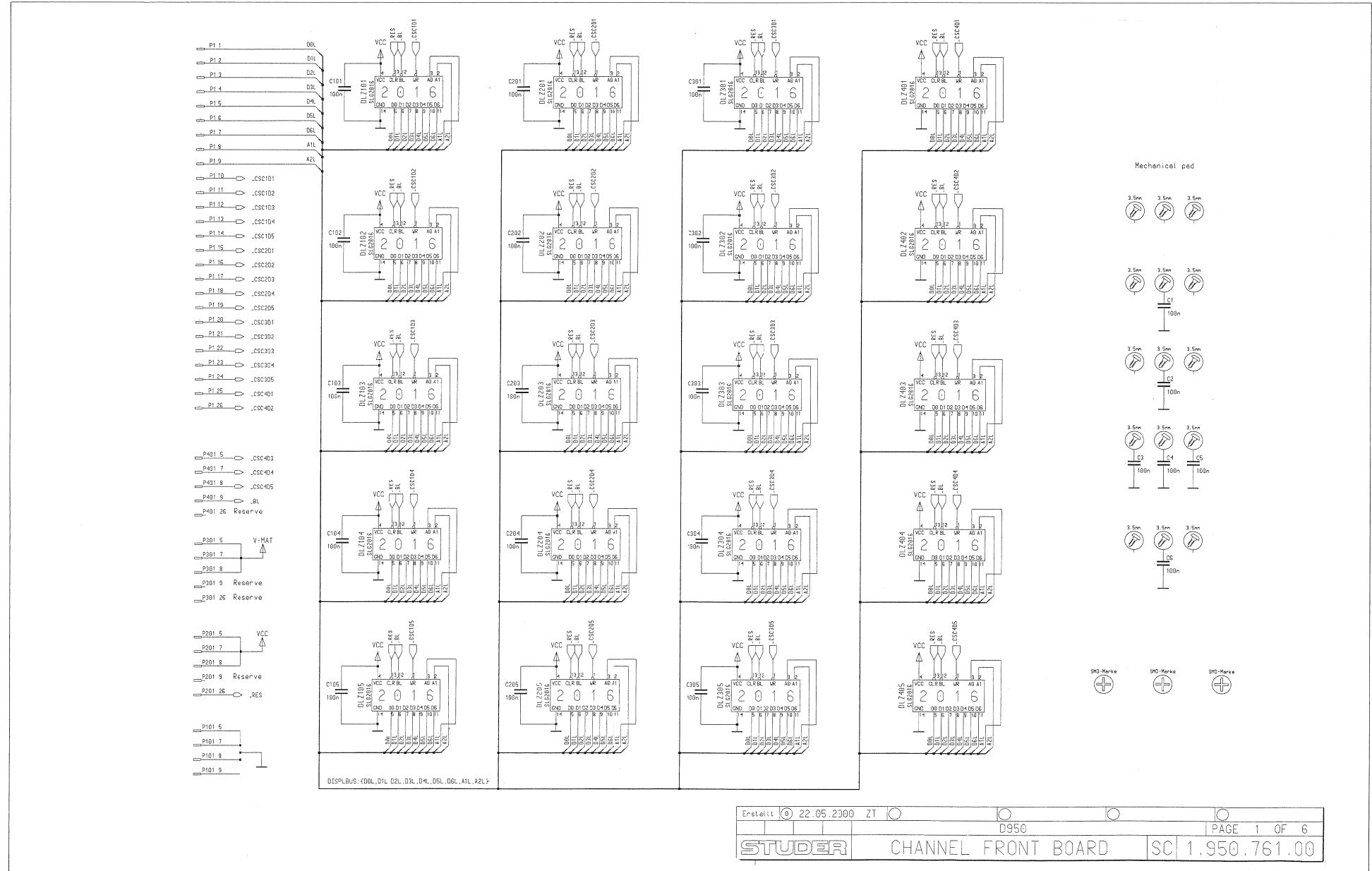
Channel Controller Board I.950.756.20

Idx.	Pos.	Part No.	Qty.	Type/Val.	Description	Idx.	Pos.	Part No.	Qty.	Type/Val.	Description
0	Q 8	50.03.0523		ZTX651	ZTX 651	0	R 43	57.11.3101		100R	MF, 1%, 0207
0	Q 9	50.03.0523		ZTX651	ZTX 651	0	R 44	57.11.3101		100R	MF, 1%, 0207
0	Q 10	50.03.0523		ZTX651	ZTX 651	0	R 45	57.11.3271		270R	MF, 1%, 0207
0	Q 11	50.03.0523		ZTX651	ZTX 651	0	R 46	57.11.3821		820R	MF, 1%, 0207
0	Q 12	50.03.0523		ZTX651	ZTX 651	0	R 47	57.11.3473		47k	MF, 1%, 0207
0	Q 13	50.03.0523		ZTX651	ZTX 651	0	R 48	57.11.3220		22R	MF, 1%, 0207
0	Q 14	50.03.0523		ZTX651	ZTX 651	0	R 49	57.11.3220		22R	MF, 1%, 0207
0	Q 15	50.03.0523		ZTX651	ZTX 651	0	R 50	57.11.3220		22R	MF, 1%, 0207
0	Q 16	50.03.0523		ZTX651	ZTX 651	0	R 51	57.11.3220		22R	MF, 1%, 0207
0	Q 17	50.03.0523		ZTX651	ZTX 651	0	R 52	57.11.3220		22R	MF, 1%, 0207
0	Q 18	50.03.0523		ZTX651	ZTX 651	0	R 53	57.11.3220		22R	MF, 1%, 0207
0	Q 19	50.03.0523		ZTX651	ZTX 651	0	R 54	57.11.3332		3k3	MF, 1%, 0207
0	Q 20	50.03.0352		ZTX751S	ZTX 751 S	0	R 55	57.11.3332		3k3	MF, 1%, 0207
0	Q 21	50.03.0352		ZTX751S	ZTX 751 S	0	R 56	57.11.3221		220R	MF, 1%, 0207
0	Q 22	50.03.0352		ZTX751S	ZTX 751 S	0	R 57	57.11.3101		100R	MF, 1%, 0207
0	Q 23	50.03.0352		ZTX751S	ZTX 751 S	0	R 58	57.11.3101		100R	MF, 1%, 0207
0	Q 24	50.03.0352		ZTX751S	ZTX 751 S	0	R 59	57.11.3101		100R	MF, 1%, 0207
0	Q 25	50.03.0352		ZTX751S	ZTX 751 S	0	R 60	57.11.3101		100R	MF, 1%, 0207
0	Q 26	50.03.0352		ZTX751S	ZTX 751 S	0	R 61	57.11.3100		10R	MF, 1%, 0207
0	Q 27	50.03.0352		ZTX751S	ZTX 751 S	0	R 62	57.11.3332		3k3	MF, 1%, 0207
0	Q 28	50.03.0352		ZTX751S	ZTX 751 S	0	R 63	57.11.3271		270R	MF, 1%, 0207
0	Q 29	50.03.0352		ZTX751S	ZTX 751 S	0	R 64	57.11.3271		270R	MF, 1%, 0207
0	Q 30	50.03.0352		ZTX751S	ZTX 751 S	0	R 65	57.11.3271		270R	MF, 1%, 0207
0	Q 31	50.03.0352		ZTX751S	ZTX 751 S	0	R 66	57.11.3271		270R	MF, 1%, 0207
0	Q 32	50.03.0352		ZTX751S	ZTX 751 S	0	R 67	57.11.3101		100R	MF, 1%, 0207
0	Q 33	50.03.0352		ZTX751S	ZTX 751 S	0	R 68	57.11.3103		10k	MF, 1%, 0207
0	Q 34	50.03.0352		ZTX751S	ZTX 751 S	0	R 69	57.11.3113		11k	MF, 1%, 0207
0	Q 35	50.03.0352		ZTX751S	ZTX 751 S	0	R 70	57.11.3102		1k0	MF, 1%, 0207
0	Q 36	50.03.0352		ZTX751S	ZTX 751 S	0	R 71	57.11.3103		10k	MF, 1%, 0207
0	Q 37	50.03.0352		ZTX751S	ZTX 751 S	0	R 72	57.11.3000		0R0	MF, 0207
0	Q 38	50.03.0352		ZTX751S	ZTX 751 S						
0	Q 39	50.03.0352		ZTX751S	ZTX 751 S	0	RZ 1	57.88.4473		47k	8*R Resistor-Netw 2% SIP9
0	Q 40	50.03.0352		ZTX751S	ZTX 751 S	0	RZ 2	57.88.4473		47k	8*R Resistor-Netw 2% SIP9
0	Q 41	50.03.0352		ZTX751S	ZTX 751 S	0	RZ 3	57.88.4473		47k	8*R Resistor-Netw 2% SIP9
0	Q 42	50.03.0352		ZTX751S	ZTX 751 S	0	RZ 4	57.88.4473		47k	8*R Resistor-Netw 2% SIP9
0	Q 43	50.03.0352		ZTX751S	ZTX 751 S	0	RZ 5	57.88.4473		47k	8*R Resistor-Netw 2% SIP9
0	Q 44	50.03.0352		ZTX751S	ZTX 751 S	0	RZ 6	57.88.2221		220R	4*R Resistor-Netw 2% SIP9
0	Q 45	50.03.0352		ZTX751S	ZTX 751 S	0	RZ 7	57.88.2221		220R	4*R Resistor-Netw 2% SIP9
0	Q 46	50.03.0352		ZTX751S	ZTX 751 S	0	RZ 8	57.88.2221		220R	4*R Resistor-Netw 2% SIP9
0	Q 47	50.03.0352		ZTX751S	ZTX 751 S	0	RZ 9	57.88.2221		220R	4*R Resistor-Netw 2% SIP9
0	Q 48	50.03.0352		ZTX751S	ZTX 751 S	0	RZ 10	57.88.4473		47k	8*R Resistor-Netw 2% SIP9
0	Q 49	50.03.0352		ZTX751S	ZTX 751 S	0	RZ 11	57.88.2221		220R	4*R Resistor-Netw 2% SIP9
0	Q 50	50.03.0352		ZTX751S	ZTX 751 S	0	RZ 12	57.88.2221		220R	4*R Resistor-Netw 2% SIP9
0	Q 51	50.03.0352		ZTX751S	ZTX 751 S	0	RZ 13	57.88.2221		220R	4*R Resistor-Netw 2% SIP9
						0	RZ 14	57.88.2221		220R	4*R Resistor-Netw 2% SIP9
0	R 1	57.11.3000		0R0	MF, 0207	0	RZ 15	57.88.2221		220R	4*R Resistor-Netw 2% SIP9
0	R 2	57.11.3332		3k3	MF, 1%, 0207	0	RZ 16	57.88.2221		220R	4*R Resistor-Netw 2% SIP9
0	R 3	57.11.3102		1k0	MF, 1%, 0207	0	RZ 17	57.88.2221		220R	4*R Resistor-Netw 2% SIP9
0	R 4	57.11.3472		4k7	MF, 1%, 0207	0	RZ 18	57.88.2221		220R	4*R Resistor-Netw 2% SIP9
0	R 5	57.11.3332		3k3	MF, 1%, 0207						
0	R 6	57.11.3473		47k	MF, 1%, 0207	0	S 1	55.03.0122		1*a	S 1 TASTE, 1*A, PRINT,IMPULS
0	R 7	57.11.3103		10k	MF, 1%, 0207	0	S 2	55.01.0168		8*a	SZ 8*A, DIL
0	R 8	57.11.3473		47k	MF, 1%, 0207						
0	R 9	57.92.7053		1.6A	POLY- PTC, 30V	0	XIC 2	53.03.0184		32p	DIL 0.6", lot, gerade
0	R 10	57.11.3100		10R	MF, 1%, 0207	0	XIC 3	53.03.0184		32p	DIL 0.6", lot, gerade
0	R 11	57.11.3101		100R	MF, 1%, 0207	0	XIC 4	53.03.0184		32p	DIL 0.6", lot, gerade
0	R 12	57.11.3684		680k	MF, 1%, 0207	0	XIC 5	53.03.0184		32p	DIL 0.6", lot, gerade
0	R 13	57.11.3103		10k	MF, 1%, 0207	0	XIC 6	53.03.0165		20p	DIL 0.3", lot, gerade
0	R 14	57.11.3103		10k	MF, 1%, 0207	0	XIC 9	53.03.0168		16p	DIL 0.3", lot, gerade
0	R 15	57.11.3220		22R	MF, 1%, 0207	0	XIC 18	53.03.0218		1p	single-in-line
0	R 16	57.11.3332		3k3	MF, 1%, 0207	0	XIC 23	53.03.0218		1p	single-in-line
0	R 17	57.92.7058		4.0A	POLY- PTC, 30V	0	XIC 24	53.03.0173		28p	DIL 0.6", lot, gerade
0	R 18	57.11.3103		10k	MF, 1%, 0207	0	XIC 25	53.03.0182		24p	DIL 0.3", lot, gerade
0	R 19	57.11.3473		47k	MF, 1%, 0207						
0	R 20	57.92.7053		1.6A	POLY- PTC, 30V	0	Y 1	89.01.1009		16.000MHz	16.000 000 MHz, HC 49/U
0	R 21	57.11.3473		47k	MF, 1%, 0207						
0	R 22	57.11.3100		10R	MF, 1%, 0207						
0	R 23	57.11.3332		3k3	MF, 1%, 0207						
0	R 24	57.11.3332		3k3	MF, 1%, 0207						
0	R 25	57.11.3220		22R	MF, 1%, 0207						
0	R 26	57.11.3220		22R	MF, 1%, 0207						
0	R 27	57.11.3220		22R	MF, 1%, 0207						
0	R 28	57.11.3220		22R	MF, 1%, 0207						
0	R 29	57.11.3220		22R	MF, 1%, 0207						
0	R 30	57.11.3220		22R	MF, 1%, 0207						
0	R 31	57.11.3220		22R	MF, 1%, 0207						
0	R 32	57.11.3220		22R	MF, 1%, 0207						
0	R 33	57.11.3220		22R	MF, 1%, 0207						
0	R 34	57.11.3220		22R	MF, 1%, 0207						
0	R 35	57.11.3101		100R	MF, 1%, 0207						
0	R 36	57.11.3101		100R	MF, 1%, 0207						
0	R 37	57.11.3101		100R	MF, 1%, 0207						
0	R 38	57.11.3101		100R	MF, 1%, 0207						
0	R 39	57.11.3331		330R	MF, 1%, 0207						
0	R 40	57.11.3331		330R	MF, 1%, 0207						
0	R 41	57.11.3101		100R	MF, 1%, 0207						
0	R 42	57.11.3101		100R	MF, 1%, 0207						

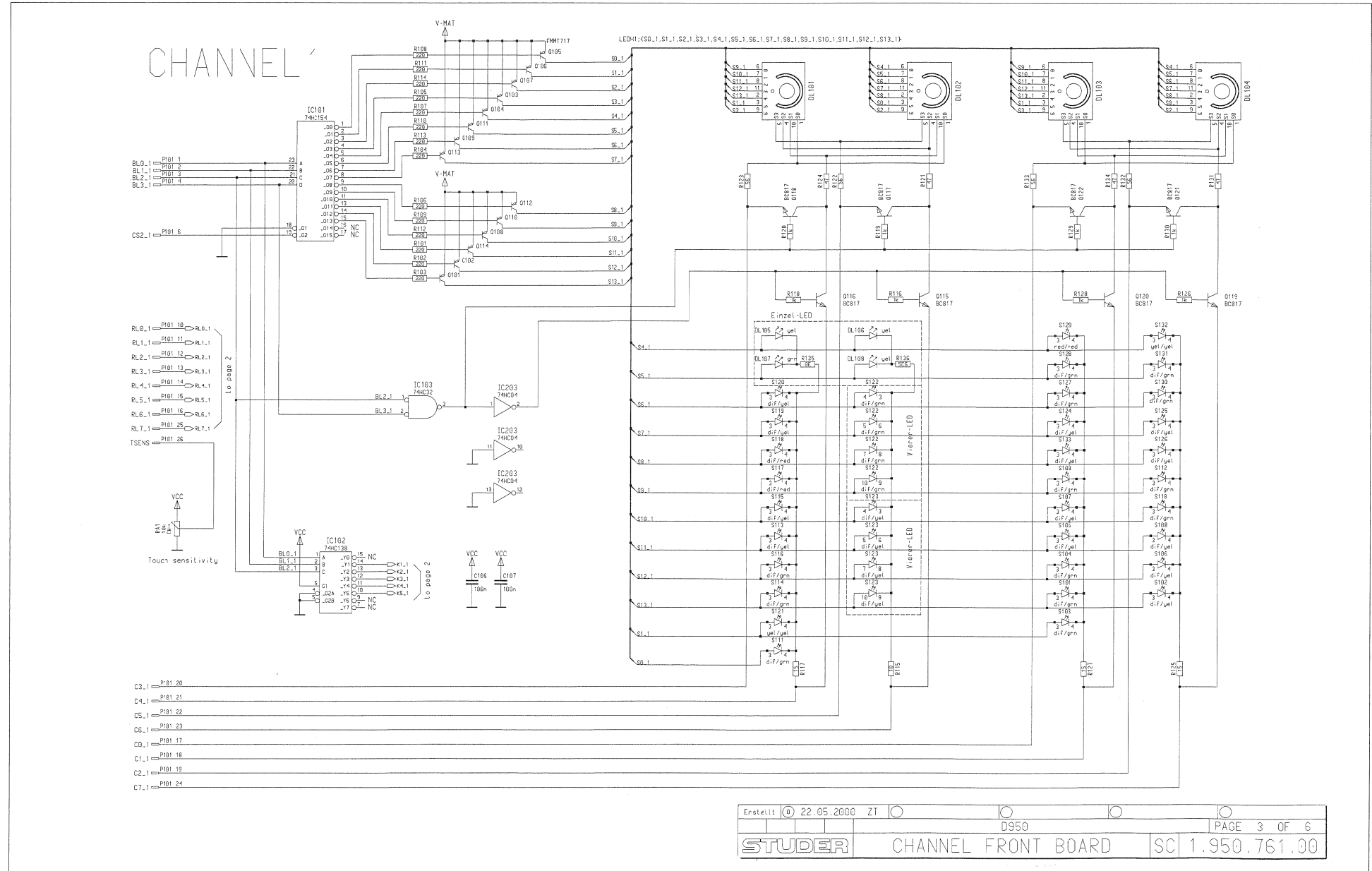
Comments
 IC 13: BEFORE INSERT, CUT PIN2
 CONNECT PIN1 AND PIN2 ON SOLDERING SIDE

End of List

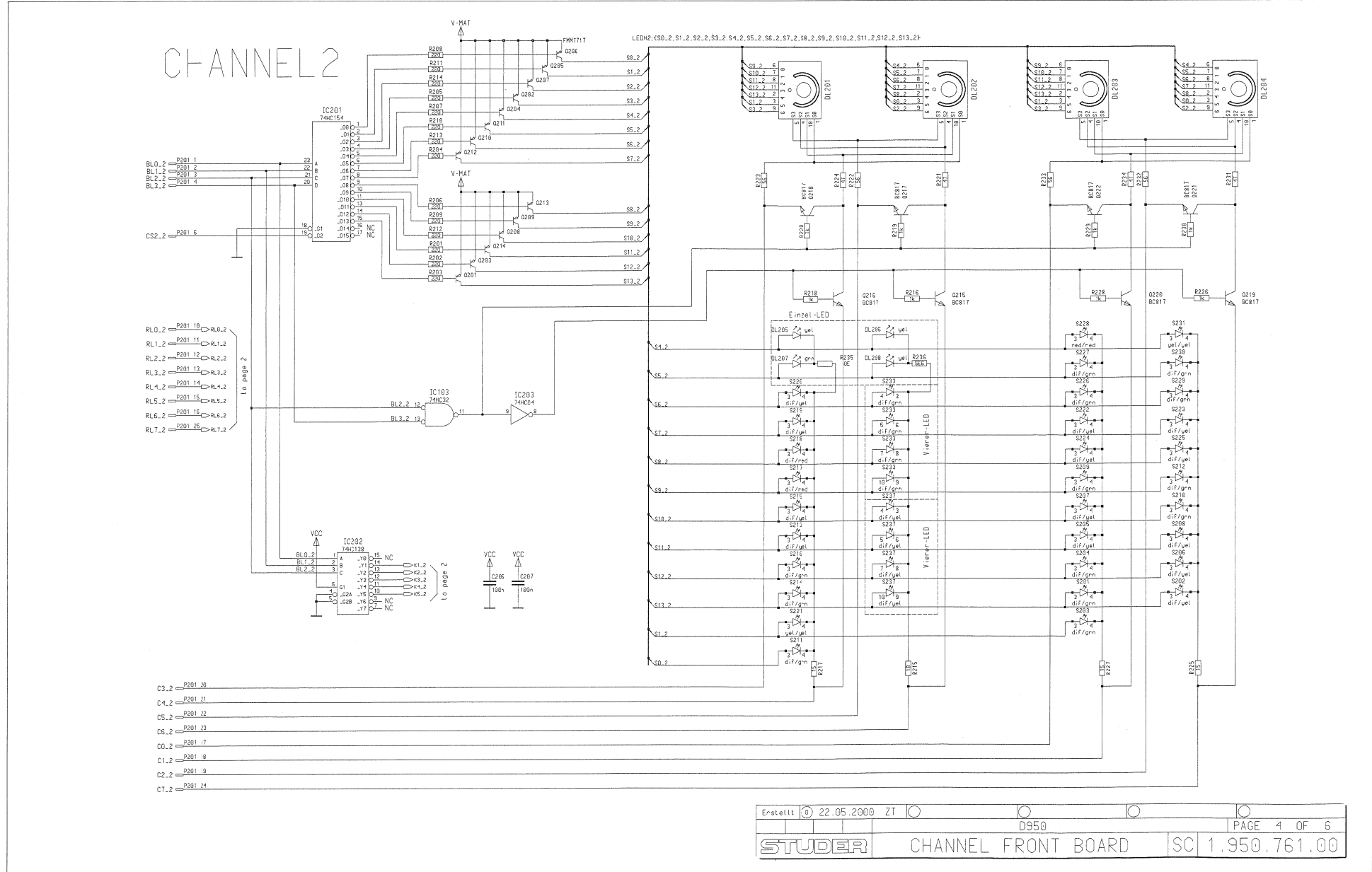
Channel Front Board 1.950.761.00



Channel Front Board 1.950.761.00

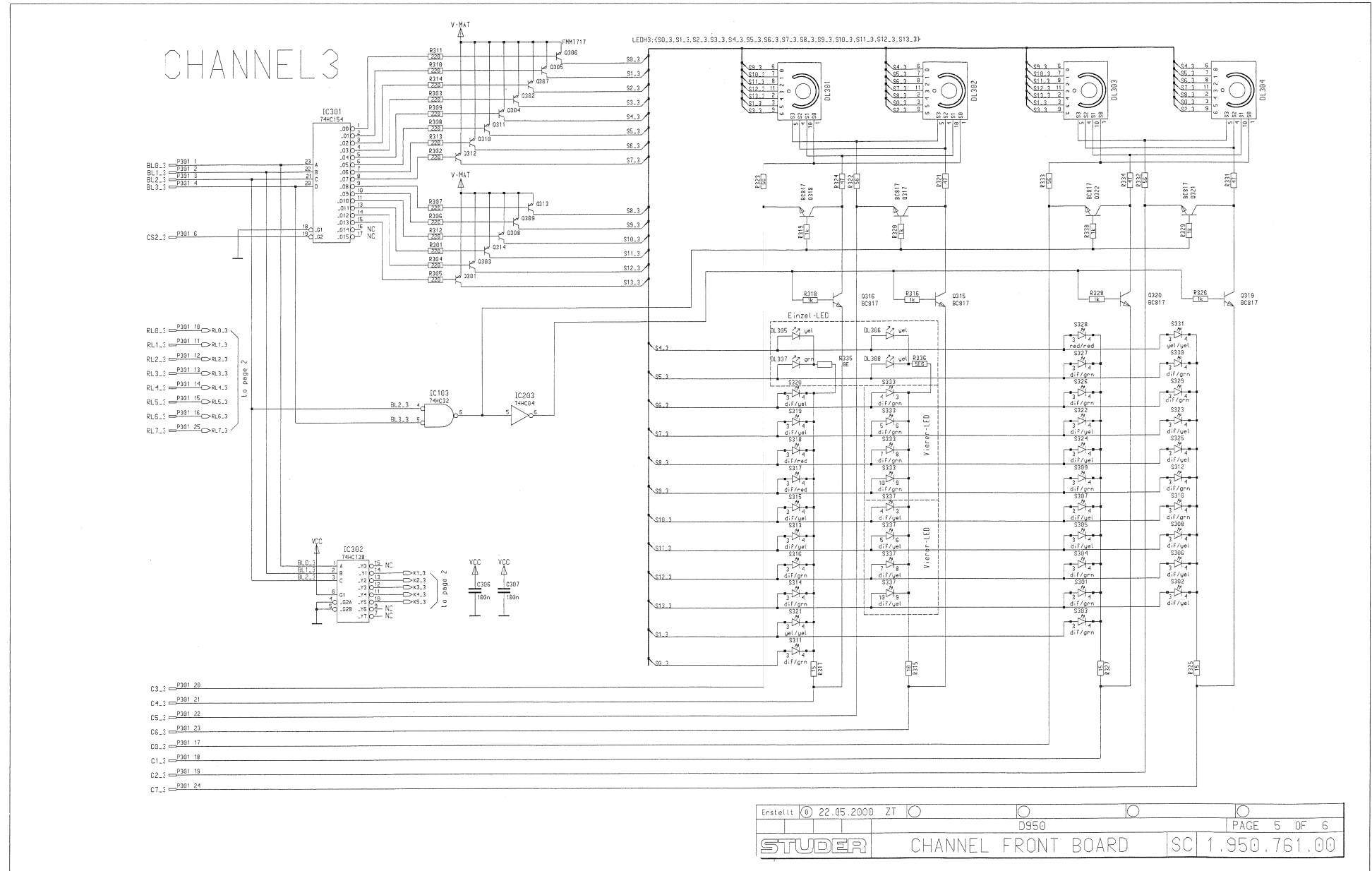


Channel Front Board 1.950.761.00



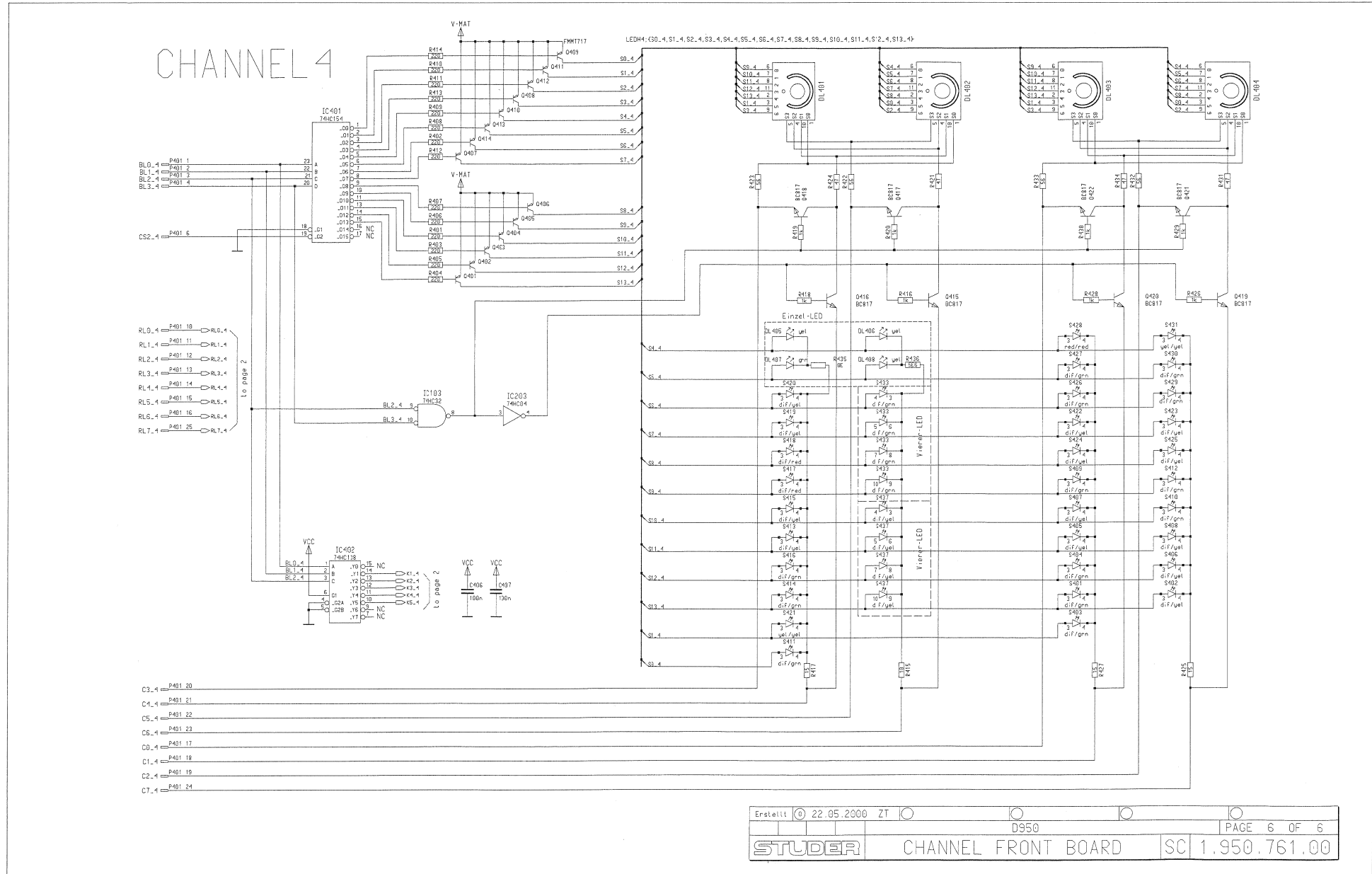
Erstellt	22.05.2000	ZT					
D950				PAGE 4 OF 6			
STUDER		CHANNEL FRONT BOARD		SC 1.950.761.00			

Channel Front Board 1.950.761.00

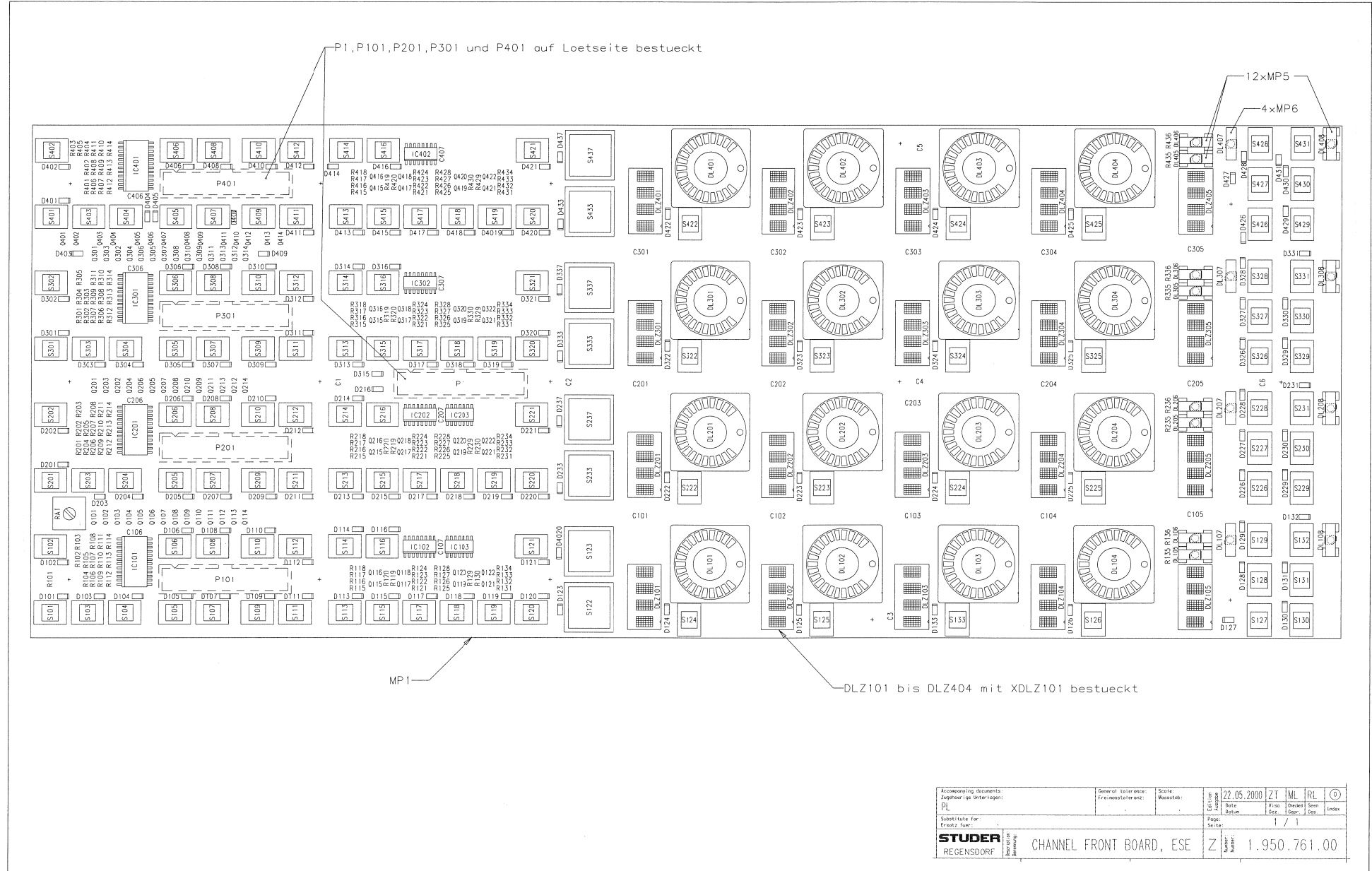


Erstellt	22.05.2000	ZT							
					D950			PAGE	5 OF 6
STUDER	CHANNEL FRONT BOARD				SC	1.950.761.00			

Channel Front Board 1.950.761.00

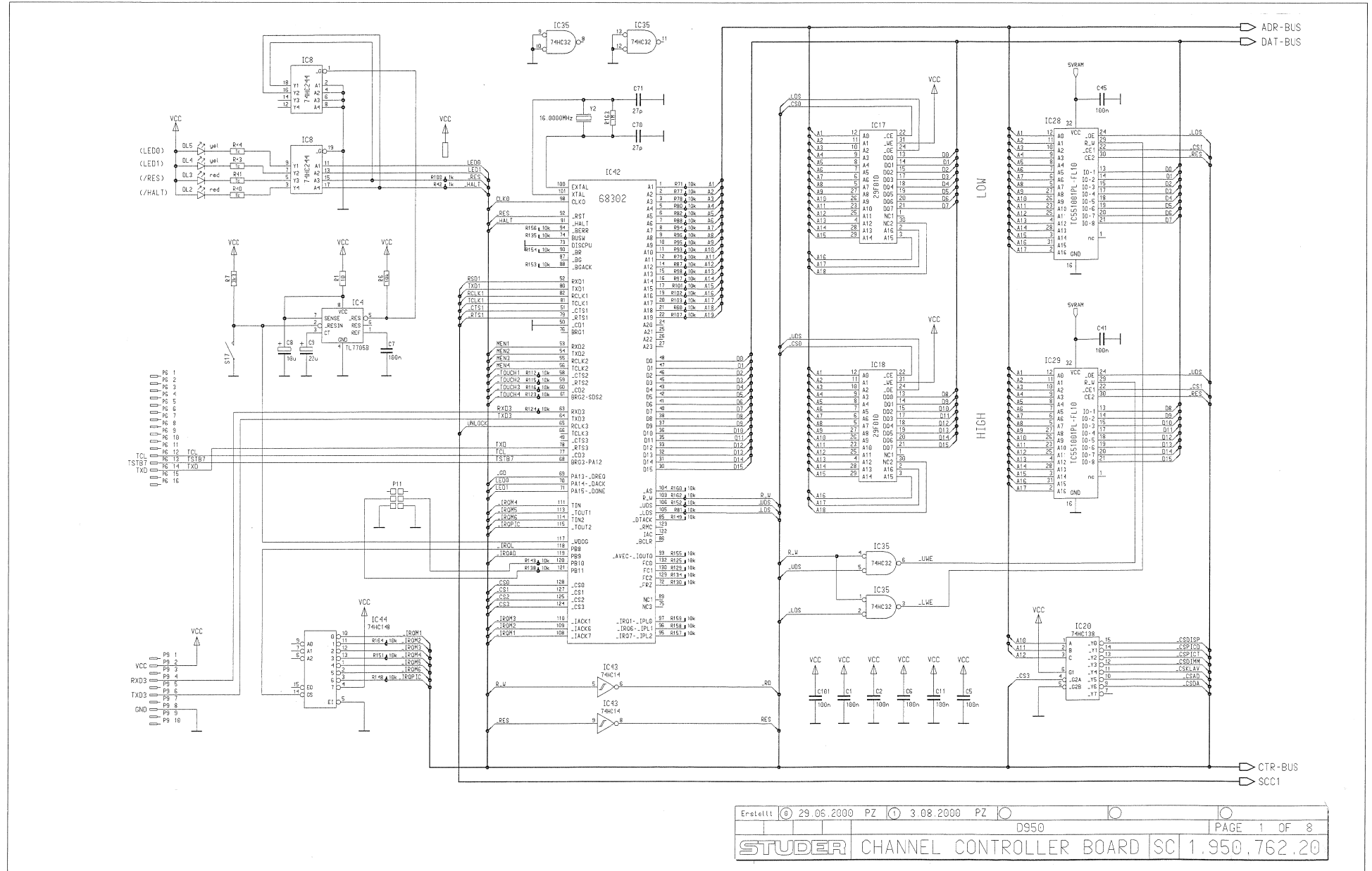


Channel Front Board 1.950.761.00

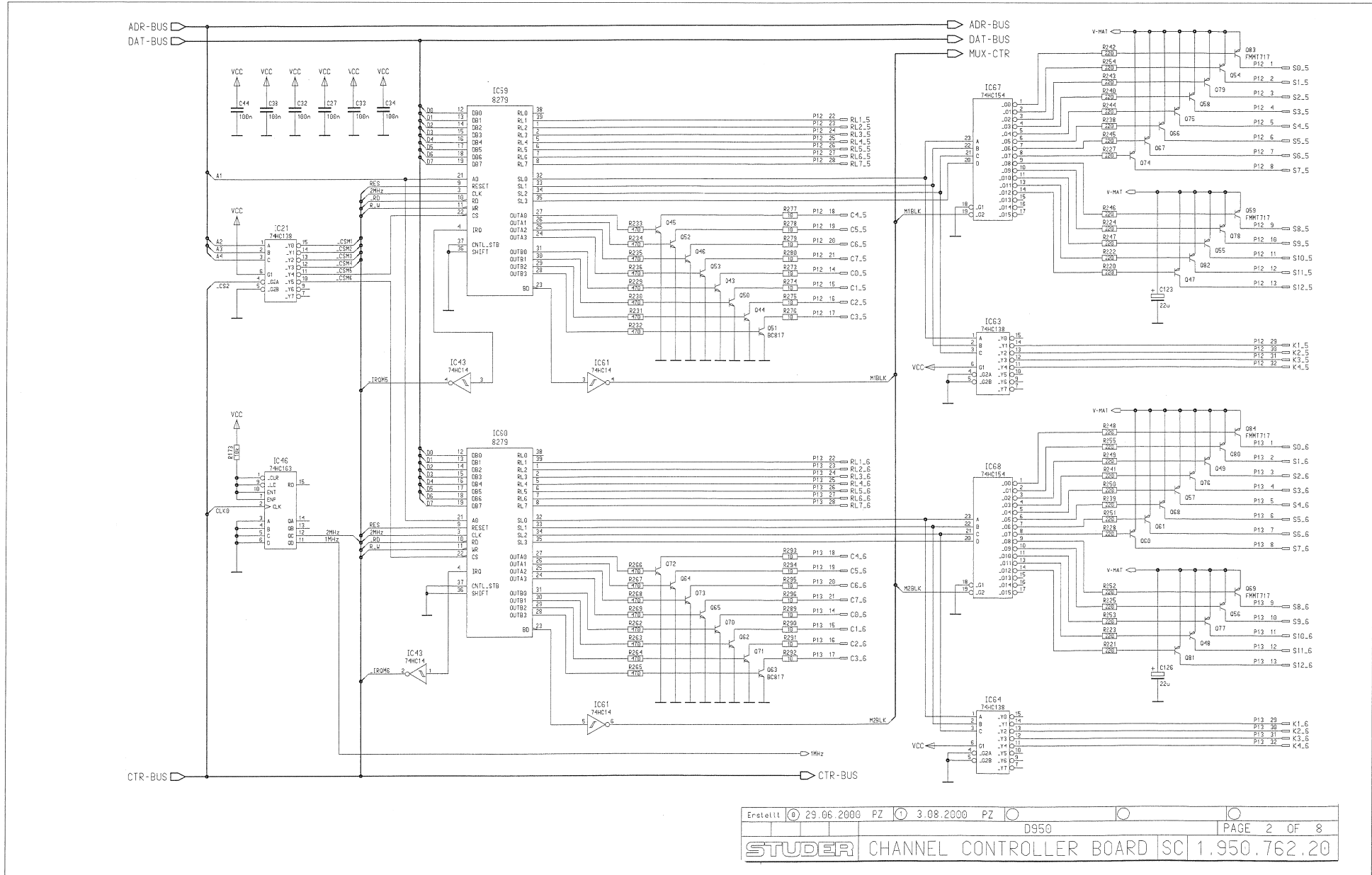


Accompanying documents: Zugeworfene Unterlagen: DL	General tolerance: Fremdabtoleranz:	Scale: Maßstab:	Date: Datum:	Version: Version:	Sheet: Blatt:	Quantity: Menge:	Revision: Revidiert:	Index: Index:
Substitute for: Ersatz fuer:			22.05.2000	ZT	ML	RL		
STUDER REGENSDORF	CHANNEL FRONT BOARD, ESE	Z	1.950.761.00					

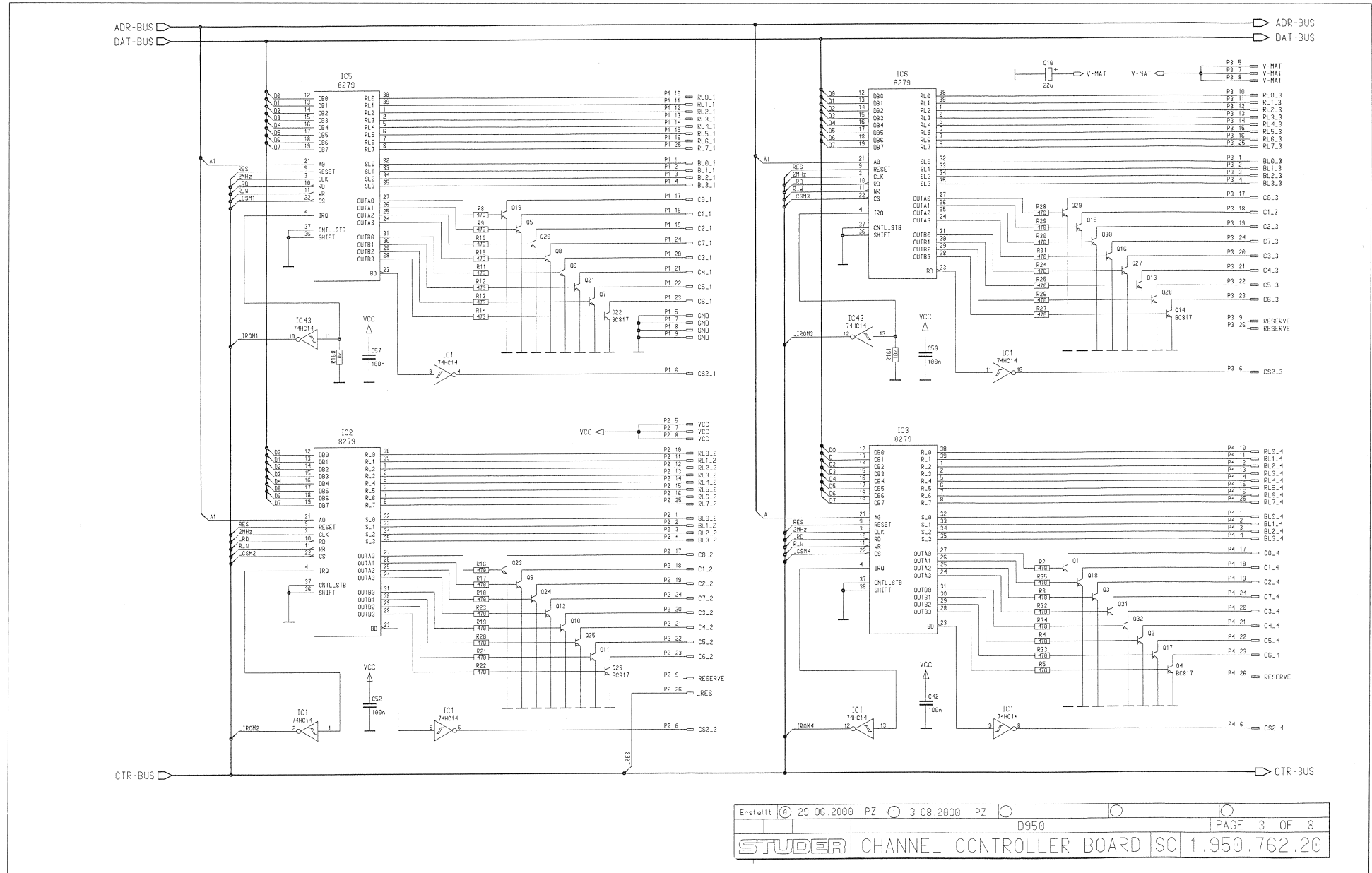
Channel Controller Board 1.950.762.20



Channel Controller Board 1.950.762.20

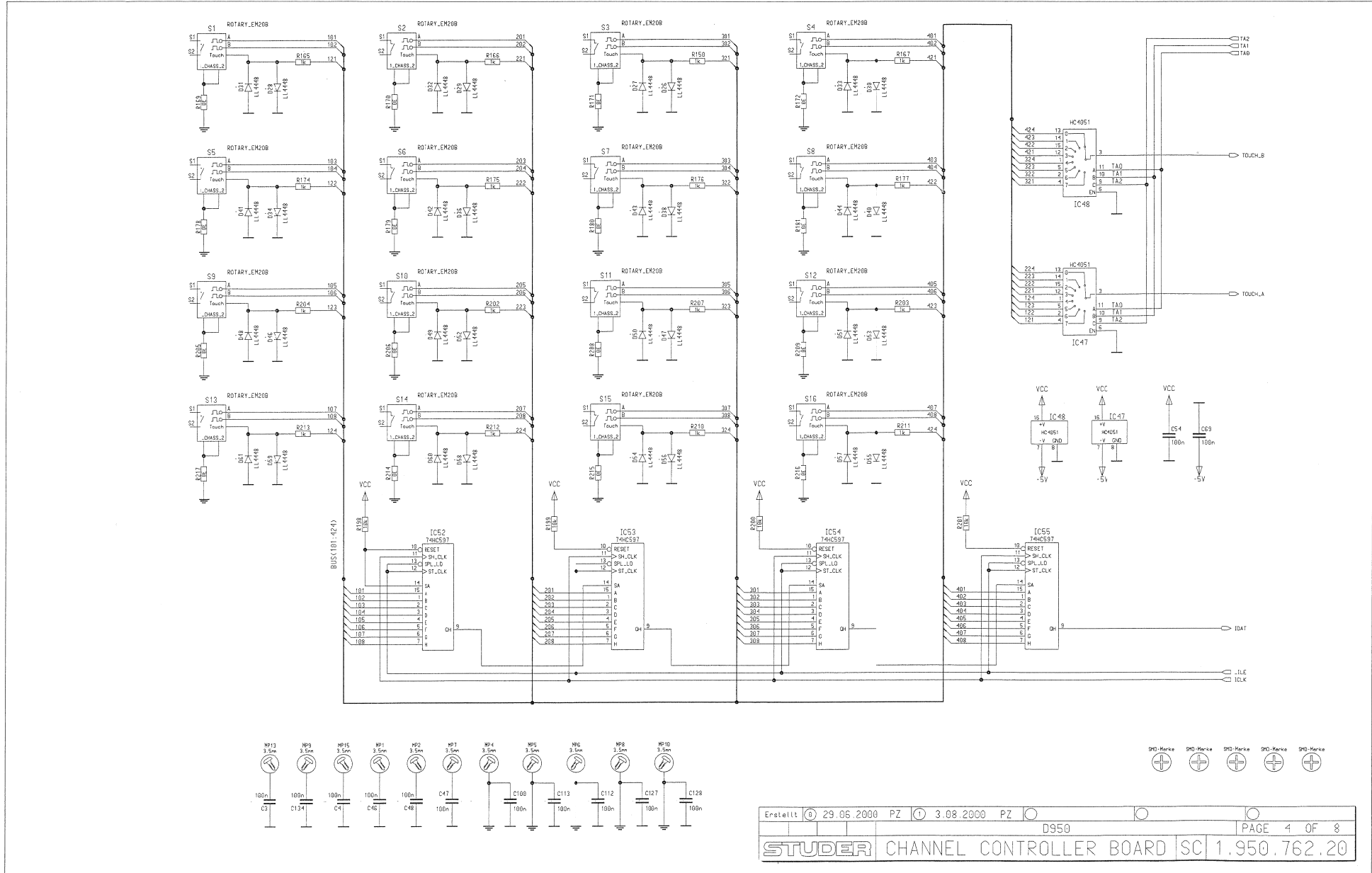


Cannel Controller Board 1.950.762.20

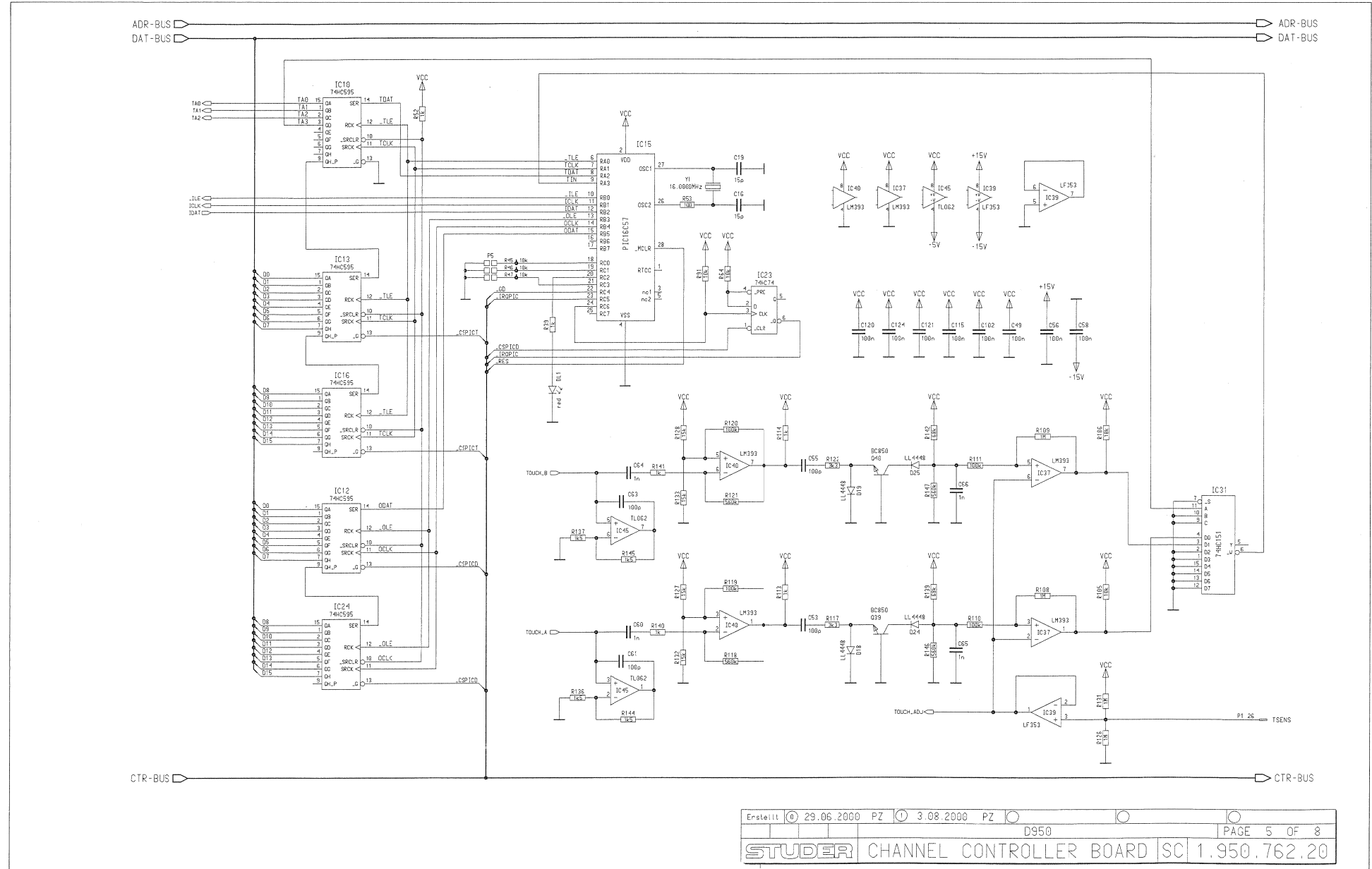


Erstellt	29.06.2000	PZ	3.08.2000	PZ	D950	PAGE 3 OF 8
STUDER CHANNEL CONTROLLER BOARD SC 1.950.762.20						

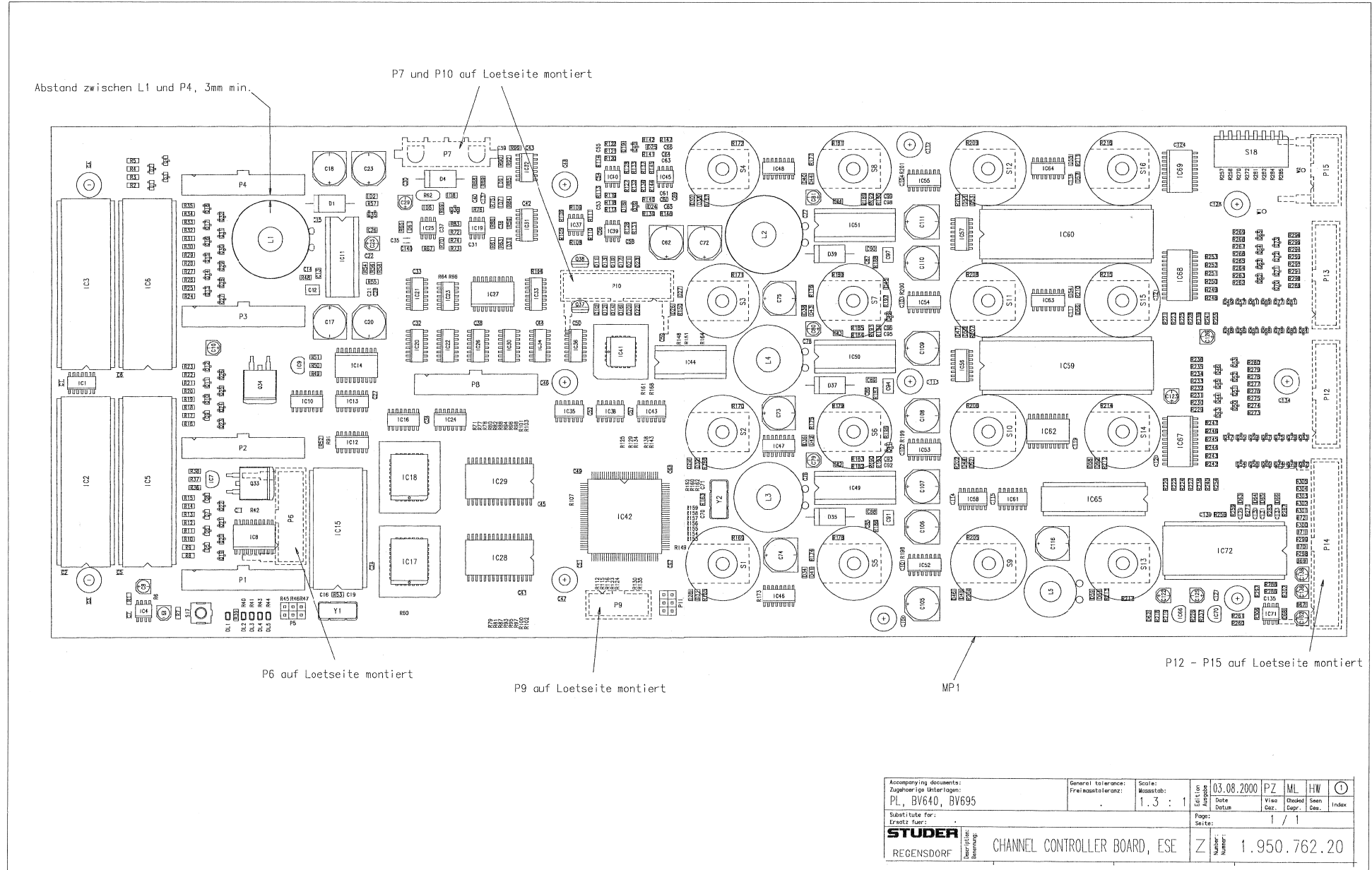
Channel Controller Board 1.950.762.20



Channel Controller Board 1.950.762.20



Cannel Controller Board 1.950.762.20



Accompanying documents: Zughörige Unterlagen: PL, BV640, BV695	General tolerance: Freimasstoleranz:	Scale: Masstab:	03.08.2000 Date Datum	PZ Viso Gepr.	ML Checked Gepr.	HW Seen Ges.	Index
Substitute for: Ersetzt fuer:	Page: Seite:		1 / 1				
STUDER REGENSDORF	Name File: Bezeichnung: CHANNEL CONTROLLER BOARD, ESE		Number: 1.950.762.20				

Cannel Controller Board 1.950.762.20

Idx	Pos.	Part No.	Qty.	Type/Val.	Description	Idx	Pos.	Part No.	Qty.	Type/Val.	Description	Idx	Pos.	Part No.	Qty.	Type/Val.	Description			
0	C 1	59.60.3337	1	pce	100n	CER 50V, 10%, X7R, 0805	0	C 83	59.60.3441	1	pce	222n	CER 50V, 10%, X7R, 1206	0	IC 25	50.60.8001	1	pce	4448	200mA 75V 4ns SOD 80
0	C 2	59.60.3337	1	pce	100n	CER 50V, 10%, X7R, 0805	0	C 84	59.60.3441	1	pce	222n	CER 50V, 10%, X7R, 1206	0	IC 26	50.60.8001	1	pce	4448	200mA 75V 4ns SOD 80
0	C 3	59.60.3337	1	pce	100n	CER 50V, 10%, X7R, 0805	0	C 85	59.60.2373	1	pce	1nJ	CER 50V, 5%, COG, 0805	0	IC 27	50.60.8001	1	pce	4448	200mA 75V 4ns SOD 80
0	C 4	59.60.3337	1	pce	100n	CER 50V, 10%, X7R, 0805	0	C 86	59.60.2373	1	pce	1nJ	CER 50V, 5%, COG, 0805	0	IC 28	50.60.8001	1	pce	4448	200mA 75V 4ns SOD 80
0	C 5	59.60.3337	1	pce	100n	CER 50V, 10%, X7R, 0805	0	C 87	59.60.2373	1	pce	1nJ	CER 50V, 5%, COG, 0805	0	IC 29	50.60.8001	1	pce	4448	200mA 75V 4ns SOD 80
0	C 6	59.60.3337	1	pce	100n	CER 50V, 10%, X7R, 0805	0	C 88	59.60.3441	1	pce	222n	CER 50V, 10%, X7R, 1206	0	IC 30	50.60.8001	1	pce	4448	200mA 75V 4ns SOD 80
0	C 7	59.60.3337	1	pce	100n	CER 50V, 10%, X7R, 0805	0	C 89	59.60.3441	1	pce	222n	CER 50V, 10%, X7R, 1206	0	IC 31	50.60.8001	1	pce	4448	200mA 75V 4ns SOD 80
0	C 8	59.68.0065	1	pce	10u	EL 16V, 4.0*5.7	0	C 90	59.60.3441	1	pce	222n	CER 50V, 10%, X7R, 1206	0	IC 32	50.60.8001	1	pce	4448	200mA 75V 4ns SOD 80
0	C 9	59.68.0025	1	pce	22u	EL 6V, 4.0*5.7	0	C 91	59.63.0129	1	pce	222n	PEN 50V, 5%, 1812	0	IC 33	50.60.8001	1	pce	4448	200mA 75V 4ns SOD 80
0	C 10	59.68.0025	1	pce	22u	EL 6V, 4.0*5.7	0	C 92	59.60.2257	1	pce	222p	CER 50V, 5%, COG, 0603	0	IC 34	50.60.8001	1	pce	4448	200mA 75V 4ns SOD 80
0	C 11	59.60.3337	1	pce	100n	CER 50V, 10%, X7R, 0805	0	C 93	59.63.0333	1	pce	47n	CER 50V, 10%, X7R, 0805	0	IC 35	50.04.0512	1	pce	1N5822	3A, Schottky
0	C 12	59.63.0129	1	pce	220n	PEN 50V, 5%, 1812	0	C 94	59.63.0129	1	pce	222n	PEN 50V, 5%, 1812	0	IC 36	50.04.0512	1	pce	1N5822	3A, Schottky
0	C 13	59.60.3441	1	pce	220n	CER 50V, 10%, X7R, 1206	0	C 95	59.60.2257	1	pce	222p	CER 50V, 5%, COG, 0603	0	IC 37	50.04.0512	1	pce	1N5822	3A, Schottky
0	C 14	59.60.2373	1	pce	1nJ	CER 50V, 5%, COG, 0805	0	C 96	59.60.3333	1	pce	47n	CER 50V, 10%, X7R, 0805	0	IC 38	50.60.8001	1	pce	4448	200mA 75V 4ns SOD 80
0	C 15	59.60.3337	1	pce	100n	CER 50V, 10%, X7R, 0805	0	C 97	59.63.0129	1	pce	222n	PEN 50V, 5%, 1812	0	IC 39	50.04.0512	1	pce	1N5822	3A, Schottky
0	C 16	59.60.2229	1	pce	15p	CER 50V, 5%, COG, 0603	0	C 98	59.60.2257	1	pce	222p	CER 50V, 5%, COG, 0603	0	IC 40	50.60.8001	1	pce	4448	200mA 75V 4ns SOD 80
0	C 17	59.68.0117	1	pce	220u	EL 35V, 10*10.7	0	C 99	59.60.3333	1	pce	47n	CER 50V, 10%, X7R, 0805	0	IC 41	50.60.8001	1	pce	4448	200mA 75V 4ns SOD 80
0	C 18	59.68.0075	1	pce	470u	EL 16V, 4.0*5.7	0	C 100	59.60.3337	1	pce	100n	CER 50V, 10%, X7R, 0805	0	IC 42	50.60.8001	1	pce	4448	200mA 75V 4ns SOD 80
0	C 19	59.60.2229	1	pce	15p	CER 50V, 5%, COG, 0603	0	C 101	59.60.3337	1	pce	100n	CER 50V, 10%, X7R, 0805	0	IC 43	50.60.8001	1	pce	4448	200mA 75V 4ns SOD 80
0	C 20	59.68.0117	1	pce	220u	EL 35V, 10*10.7	0	C 102	59.60.3337	1	pce	100n	CER 50V, 10%, X7R, 0805	0	IC 44	50.60.8001	1	pce	4448	200mA 75V 4ns SOD 80
0	C 21	59.60.2257	1	pce	220p	CER 50V, 5%, COG, 0603	0	C 103	59.60.3337	1	pce	100n	CER 50V, 10%, X7R, 0805	0	IC 45	50.60.8001	1	pce	4448	200mA 75V 4ns SOD 80
0	C 22	59.60.3337	1	pce	100n	CER 50V, 10%, X7R, 0805	0	C 104	59.60.3337	1	pce	100n	CER 50V, 10%, X7R, 0805	0	IC 46	50.60.8001	1	pce	4448	200mA 75V 4ns SOD 80
0	C 23	59.68.0075	1	pce	470u	EL 16V, 10*10.7	0	C 105	59.68.0117	1	pce	220u	EL 35V, 10*10.7	0	IC 47	50.60.8001	1	pce	4448	200mA 75V 4ns SOD 80
0	C 24	59.60.3337	1	pce	100n	CER 50V, 10%, X7R, 0805	0	C 106	59.68.0117	1	pce	220u	EL 35V, 10*10.7	0	IC 48	50.60.8001	1	pce	4448	200mA 75V 4ns SOD 80
0	C 25	59.68.0065	1	pce	10u	EL 16V, 4.0*5.7	0	C 107	59.68.0117	1	pce	220u	EL 35V, 10*10.7	0	IC 49	50.60.8001	1	pce	4448	200mA 75V 4ns SOD 80
0	C 26	59.60.3441	1	pce	220n	CER 50V, 10%, X7R, 1206	0	C 108	59.68.0117	1	pce	220u	EL 35V, 10*10.7	0	IC 50	50.60.8001	1	pce	4448	200mA 75V 4ns SOD 80
0	C 27	59.60.3337	1	pce	100n	CER 50V, 10%, X7R, 0805	0	C 109	59.68.0117	1	pce	220u	EL 35V, 10*10.7	0	IC 51	50.60.8001	1	pce	4448	200mA 75V 4ns SOD 80
0	C 28	59.60.3333	1	pce	47n	CER 50V, 10%, X7R, 0805	0	C 110	59.68.0117	1	pce	220u	EL 35V, 10*10.7	0	IC 52	50.60.8001	1	pce	4448	200mA 75V 4ns SOD 80
0	C 29	59.68.0107	1	pce	4u7	EL 35V, 4.0*5.7	0	C 111	59.68.0117	1	pce	220u	EL 35V, 10*10.7	0	IC 53	50.60.8001	1	pce	4448	200mA 75V 4ns SOD 80
0	C 30	59.60.3337	1	pce	100n	CER 50V, 10%, X7R, 0805	0	C 112	59.60.3337	1	pce	100n	CER 50V, 10%, X7R, 0805	0	IC 54	50.60.8001	1	pce	4448	200mA 75V 4ns SOD 80
0	C 31	59.60.2249	1	pce	100p	CER 50V, 5%, COG, 0603	0	C 113	59.60.3337	1	pce	100n	CER 50V, 10%, X7R, 0805	0	IC 55	50.60.8001	1	pce	4448	200mA 75V 4ns SOD 80
0	C 32	59.60.3337	1	pce	100n	CER 50V, 10%, X7R, 0805	0	C 114	59.60.3337	1	pce	100n	CER 50V, 10%, X7R, 0805	0	IC 56	50.60.8001	1	pce	4448	200mA 75V 4ns SOD 80
0	C 33	59.60.3337	1	pce	100n	CER 50V, 10%, X7R, 0805	0	C 115	59.60.3337	1	pce	100n	CER 50V, 10%, X7R, 0805	0	IC 57	50.60.8001	1	pce	4448	200mA 75V 4ns SOD 80
0	C 34	59.60.3337	1	pce	100n	CER 50V, 10%, X7R, 0805	0	C 116	59.68.0117	1	pce	220u	EL 35V, 10*10.7	0	IC 58	50.60.8001	1	pce	4448	200mA 75V 4ns SOD 80
0	C 35	59.60.3337	1	pce	100n	CER 50V, 10%, X7R, 0805	0	C 117	59.60.3337	1	pce	100n	CER 50V, 10%, X7R, 0805	0	IC 59	50.60.8001	1	pce	4448	200mA 75V 4ns SOD 80
0	C 36	59.60.3337	1	pce	100n	CER 50V, 10%, X7R, 0805	0	C 118	59.60.3337	1	pce	100n	CER 50V, 10%, X7R, 0805	0	IC 60	50.60.8001	1	pce	4448	200mA 75V 4ns SOD 80
0	C 37	59.60.2249	1	pce	100p	CER 50V, 5%, COG, 0603	0	C 119	59.60.3337	1	pce	100n	CER 50V, 10%, X7R, 0805	0	IC 61	50.60.8001	1	pce	4448	200mA 75V 4ns SOD 80
0	C 38	59.60.3337	1	pce	100n	CER 50V, 10%, X7R, 0805	0	C 120	59.60.3337	1	pce	100n	CER 50V, 10%, X7R, 0805	0	IC 62	50.60.8001	1	pce	4448	200mA 30V Schottky SOD 80
0	C 39	59.60.2249	1	pce	100p	CER 50V, 5%, COG, 0603	0	C 121	59.60.3337	1	pce	100n	CER 50V, 10%, X7R, 0805	0	IC 63	50.60.8001	1	pce	4448	200mA 75V 4ns SOD 80
0	C 40	59.60.2373	1	pce	1nJ	CER 50V, 5%, COG, 0805	0	C 122	59.68.0065	1	pce	10u	EL 16V, 4.0*5.7	0	IC 64	50.60.8001	1	pce	4448	200mA 75V 4ns SOD 80
0	C 41	59.60.3337	1	pce	100n	CER 50V, 10%, X7R, 0805	0	C 123	59.68.0025	1	pce	22u	EL 6V, 4.0*5.7	0	IC 65	50.60.8001	1	pce	4448	200mA 75V 4ns SOD 80
0	C 42	59.60.3337	1	pce	100n	CER 50V, 10%, X7R, 0805	0	C 124	59.60.3337	1	pce	100n	CER 50V, 10%, X7R, 0805	0	IC 66	50.60.8001	1	pce	4448	200mA 75V 4ns SOD 80
0	C 43	59.60.3337	1	pce	100n	CER 50V, 10%, X7R, 0805	0	C 125	59.68.0065	1	pce	10u	EL 16V, 4.0*5.7	0	IC 67	50.60.8101	1	pce	BAS85	200mA 30V Schottky SOD 80
0	C 44	59.60.3337	1	pce	100n	CER 50V, 10%, X7R, 0805	0	C 126	59.68.0025	1	pce	22u	EL 6V, 4.0*5.7	0	IC 68	50.60.8101	1	pce	BAS85	200mA 30V Schottky SOD 80
0	C 45	59.60.3337	1	pce	100n	CER 50V, 10%, X7R, 0805	0	C 127	59.60.3337	1	pce	100n	CER 50V, 10%, X7R, 0805	0	IC 69	50.60.8001	1	pce	4448	200mA 75V 4ns SOD 80
0	C 46	59.60.3337	1	pce	100n	CER 50V, 10%, X7R, 0805	0	C 128	59.60.3337	1	pce	100n	CER 50V, 10%, X7R, 0805	0	IC 70	50.60.8001	1	pce	4448	200mA 75V 4ns SOD 80
0	C 47	59.60.3337	1	pce	100n	CER 50V, 10%, X7R, 0805	0	C 129	59.60.3337	1	pce	100n	CER 50V, 10%, X7R, 0805	0	IC 71	50.60.8001	1	pce	4448	200mA 75V 4ns SOD 80
0	C 48	59.60.3337	1	pce	100n	CER 50V, 10%, X7R, 0805	0	C 130	59.60.3337	1	pce	100n	CER 50V, 10%, X7R, 0805	0	IC 72	50.60.8001	1	pce	4448	200mA 75V 4ns SOD 80
0	C 49	59.60.3337	1	pce	100n	CER 50V, 10%, X7R, 0805	0	C 131	59.60.3337	1	pce	100n	CER 50V, 10%, X7R, 0805	0	DL 1	50.60.9401	1	pce	red	SMD LED superred
0	C 50	59.60.3337	1	pce	100n	CER 50V, 10%, X7R, 0805	0	C 132	59.68.0127	1	pce	1uJ	EL 50V, 4.0*5.7	0	DL 2	50.60.9401	1	pce	red	SMD LED superred
0	C 51	59.60.3337	1	pce	100n	CER 50V, 10%, X7R, 0805	0	C 133	59.60.3337	1	pce	100n	CER 50V, 10%, X7R, 0805	0	DL 3	50.60.9401	1	pce	red	SMD LED superred
0	C 52	59.60.3337	1	pce	100n	CER 50V, 10%, X7R, 0805	0	C 134	59.60.3337	1	pce	100n	CER 50V, 10%, X7R, 0805	0	DL 4	50.60.9402	1	pce	yellow	SMD LED yellow
0	C 53	59.60.2249	1	pce	100p	CER 50V, 5%, COG, 0603	0	C 135	59.60.2249	1	pce	100p	CER 50V, 5%, COG, 0603	0	DL 5	50.60.9402	1	pce	yellow	SMD LED yellow
0	C 54	59.60.3337	1	pce	100n	CER 50V, 10%, X7R, 0805	0	C 136	59.68.0127	1	pce	1uJ	EL 50V, 4.0*5.7	0	IC 1	50.62.1014	1	pce	74HC 14	Hex Schmitt trigger inverter
0	C 55	59.60.2249	1	pce	100p	CER 50V, 5%, COG, 0603	0	C 137	59.60.3337	1	pce	100n	CER 50V, 10%, X7R, 0805	0	IC 2	50.16.0703	1	pce	82C79	TMP 82 C

Cannel Controller Board 1.950.762.20

Idx	Pos.	Part No.	Qty.	Type/Val.	Description	Idx	Pos.	Part No.	Qty.	Type/Val.	Description	Idx	Pos.	Part No.	Qty.	Type/Val.	Description	Idx	Pos.	Part No.	Qty.	Type/Val.	Description
0	Q 13	50.80.0050	1	pcie	BC817-25	NPN	45V	800mA	SOT 23	0	R 11	57.60.1471	1	pcie	470R	MF, 1%, 0204, E24	0	R 93	57.69.1097	1	pcie	10k	CF 5% 0603
0	Q 14	50.80.0050	1	pcie	BC817-25	NPN	45V	800mA	SOT 23	0	R 12	57.60.1471	1	pcie	470R	MF, 1%, 0204, E24	0	R 94	57.69.1097	1	pcie	10k	CF 5% 0603
0	Q 15	50.80.0050	1	pcie	BC817-25	NPN	45V	800mA	SOT 23	0	R 13	57.60.1471	1	pcie	470R	MF, 1%, 0204, E24	0	R 95	57.69.1097	1	pcie	10k	CF 5% 0603
0	Q 16	50.80.0050	1	pcie	BC817-25	NPN	45V	800mA	SOT 23	0	R 14	57.60.1471	1	pcie	470R	MF, 1%, 0204, E24	0	R 96	57.69.1097	1	pcie	10k	CF 5% 0603
0	Q 17	50.80.0050	1	pcie	BC817-25	NPN	45V	800mA	SOT 23	0	R 15	57.60.1471	1	pcie	470R	MF, 1%, 0204, E24	0	R 97	57.69.1097	1	pcie	10k	CF 5% 0603
0	Q 18	50.80.0050	1	pcie	BC817-25	NPN	45V	800mA	SOT 23	0	R 16	57.60.1471	1	pcie	470R	MF, 1%, 0204, E24	0	R 98	57.69.1097	1	pcie	10k	CF 5% 0603
0	Q 19	50.80.0050	1	pcie	BC817-25	NPN	45V	800mA	SOT 23	0	R 17	57.60.1471	1	pcie	470R	MF, 1%, 0204, E24	0	R 99	57.60.1334	1	pcie	330k	MF, 1%, 0204, E24
0	Q 20	50.80.0050	1	pcie	BC817-25	NPN	45V	800mA	SOT 23	0	R 18	57.60.1471	1	pcie	470R	MF, 1%, 0204, E24	0	R 120	57.69.1073	1	pcie	10k	CF 5% 0603
0	Q 21	50.80.0050	1	pcie	BC817-25	NPN	45V	800mA	SOT 23	0	R 19	57.60.1471	1	pcie	470R	MF, 1%, 0204, E24	0	R 121	57.69.1097	1	pcie	10k	CF 5% 0603
0	Q 22	50.80.0050	1	pcie	BC817-25	NPN	45V	800mA	SOT 23	0	R 20	57.60.1471	1	pcie	470R	MF, 1%, 0204, E24	0	R 122	57.69.1097	1	pcie	10k	CF 5% 0603
0	Q 23	50.80.0050	1	pcie	BC817-25	NPN	45V	800mA	SOT 23	0	R 21	57.60.1471	1	pcie	470R	MF, 1%, 0204, E24	0	R 123	57.69.1097	1	pcie	10k	CF 5% 0603
0	Q 24	50.80.0050	1	pcie	BC817-25	NPN	45V	800mA	SOT 23	0	R 22	57.60.1471	1	pcie	470R	MF, 1%, 0204, E24	0	R 124	57.60.1222	1	pcie	2k2	MF, 1%, 0204, E24
0	Q 25	50.80.0050	1	pcie	BC817-25	NPN	45V	800mA	SOT 23	0	R 23	57.60.1471	1	pcie	470R	MF, 1%, 0204, E24	0	R 125	57.60.1103	1	pcie	10k	MF, 1%, 0204, E24
0	Q 26	50.80.0050	1	pcie	BC817-25	NPN	45V	800mA	SOT 23	0	R 24	57.60.1471	1	pcie	470R	MF, 1%, 0204, E24	0	R 126	57.60.1103	1	pcie	10k	MF, 1%, 0204, E24
0	Q 27	50.80.0050	1	pcie	BC817-25	NPN	45V	800mA	SOT 23	0	R 25	57.60.1471	1	pcie	470R	MF, 1%, 0204, E24	0	R 127	57.69.1097	1	pcie	10k	CF 5% 0603
0	Q 28	50.80.0050	1	pcie	BC817-25	NPN	45V	800mA	SOT 23	0	R 26	57.60.1471	1	pcie	470R	MF, 1%, 0204, E24	0	R 128	57.60.1105	1	pcie	1M	MF, 1%, 0204, E24
0	Q 29	50.80.0050	1	pcie	BC817-25	NPN	45V	800mA	SOT 23	0	R 27	57.60.1471	1	pcie	470R	MF, 1%, 0204, E24	0	R 129	57.60.1105	1	pcie	1M	MF, 1%, 0204, E24
0	Q 30	50.80.0050	1	pcie	BC817-25	NPN	45V	800mA	SOT 23	0	R 28	57.60.1471	1	pcie	470R	MF, 1%, 0204, E24	0	R 130	57.60.1104	1	pcie	100k	MF, 1%, 0204, E24
0	Q 31	50.80.0050	1	pcie	BC817-25	NPN	45V	800mA	SOT 23	0	R 29	57.60.1471	1	pcie	470R	MF, 1%, 0204, E24	0	R 111	57.60.1104	1	pcie	100k	MF, 1%, 0204, E24
0	Q 32	50.80.0050	1	pcie	BC817-25	NPN	45V	800mA	SOT 23	0	R 30	57.60.1471	1	pcie	470R	MF, 1%, 0204, E24	0	R 112	57.69.1097	1	pcie	10k	CF 5% 0603
0	Q 33	50.80.7001	1	pcie	B7138B	Triac	8A, 600V	SOT 404		0	R 31	57.60.1471	1	pcie	470R	MF, 1%, 0204, E24	0	R 113	57.60.1102	1	pcie	10k	MF, 1%, 0204, E24
0	Q 34	50.80.7001	1	pcie	B7138B	Triac	8A, 600V	SOT 404		0	R 32	57.60.1471	1	pcie	470R	MF, 1%, 0204, E24	0	R 114	57.60.1102	1	pcie	10k	MF, 1%, 0204, E24
0	Q 35	50.80.0002	1	pcie	BC850C	NPN	45V	100mA	SOT 23	0	R 33	57.60.1471	1	pcie	470R	MF, 1%, 0204, E24	0	R 115	57.69.1097	1	pcie	10k	CF 5% 0603
0	Q 36	50.80.1002	1	pcie	BC850C	NPN	45V	100mA	SOT 23	0	R 34	57.60.1471	1	pcie	470R	MF, 1%, 0204, E24	0	R 116	57.69.1097	1	pcie	10k	CF 5% 0603
0	Q 37	50.03.1555	1	pcie	VN0808L	NL-VMO5-FET	80V, 0.35A			0	R 35	57.60.1471	1	pcie	470R	MF, 1%, 0204, E24	0	R 117	57.60.1332	1	pcie	3k3	MF, 1%, 0204, E24
0	Q 38	50.03.1554	1	pcie	VP0808L	P-VMO5-FET	80V, 0.35A			0	R 36	57.60.1102	1	pcie	1k0	MF, 1%, 0204, E24	0	R 118	57.60.1564	1	pcie	560k	MF, 1%, 0204, E24
0	Q 39	50.80.0002	1	pcie	BC850C	NPN	45V	100mA	SOT 23	0	R 37	57.60.1153	1	pcie	15k	MF, 1%, 0204, E24	0	R 119	57.60.1104	1	pcie	100k	MF, 1%, 0204, E24
0	Q 40	50.80.0002	1	pcie	BC850C	NPN	45V	100mA	SOT 23	0	R 38	57.60.1203	1	pcie	20k	MF, 1%, 0204, E24	0	R 120	57.60.1104	1	pcie	100k	MF, 1%, 0204, E24
0	Q 41	50.80.0002	1	pcie	BC850C	NPN	45V	100mA	SOT 23	0	R 39	57.60.1102	1	pcie	1k0	MF, 1%, 0204, E24	0	R 121	57.60.1564	1	pcie	560k	MF, 1%, 0204, E24
0	Q 42	50.80.0002	1	pcie	BC850C	NPN	45V	100mA	SOT 23	0	R 40	57.69.1073	1	pcie	10k	CF 5% 0603	0	R 122	57.60.1332	1	pcie	3k3	MF, 1%, 0204, E24
0	Q 43	50.80.0050	1	pcie	BC817-25	NPN	45V	800mA	SOT 23	0	R 41	57.69.1073	1	pcie	10k	CF 5% 0603	0	R 123	57.69.1097	1	pcie	10k	CF 5% 0603
0	Q 44	50.80.0050	1	pcie	BC817-25	NPN	45V	800mA	SOT 23	0	R 42	57.69.1073	1	pcie	10k	CF 5% 0603	0	R 124	57.69.1097	1	pcie	10k	CF 5% 0603
0	Q 45	50.80.0050	1	pcie	BC817-25	NPN	45V	800mA	SOT 23	0	R 43	57.69.1073	1	pcie	10k	CF 5% 0603	0	R 125	57.69.1097	1	pcie	10k	CF 5% 0603
0	Q 46	50.80.0050	1	pcie	BC817-25	NPN	45V	800mA	SOT 23	0	R 44	57.69.1073	1	pcie	10k	CF 5% 0603	0	R 126	57.60.1105	1	pcie	1M	MF, 1%, 0204, E24
0	Q 47	50.80.1101	1	pcie	FMMT717	PNP	12V	1.5A	SOT 23	0	R 45	57.69.1097	1	pcie	10k	CF 5% 0603	0	R 127	57.60.1153	1	pcie	15k	MF, 1%, 0204, E24
0	Q 48	50.80.1101	1	pcie	FMMT717	PNP	12V	1.5A	SOT 23	0	R 46	57.69.1097	1	pcie	10k	CF 5% 0603	0	R 128	57.60.1153	1	pcie	15k	MF, 1%, 0204, E24
0	Q 49	50.80.1101	1	pcie	FMMT717	PNP	12V	1.5A	SOT 23	0	R 47	57.69.1097	1	pcie	10k	CF 5% 0603	0	R 129	57.69.1097	1	pcie	10k	CF 5% 0603
0	Q 50	50.80.0050	1	pcie	BC817-25	NPN	45V	800mA	SOT 23	0	R 48	57.60.1683	1	pcie	68k	MF, 1%, 0204, E24	0	R 130	57.69.1097	1	pcie	10k	CF 5% 0603
0	Q 51	50.80.0050	1	pcie	BC817-25	NPN	45V	800mA	SOT 23	0	R 49	57.60.1203	1	pcie	20k	MF, 1%, 0204, E24	0	R 131	57.60.1105	1	pcie	1M	MF, 1%, 0204, E24
0	Q 52	50.80.0050	1	pcie	BC817-25	NPN	45V	800mA	SOT 23	0	R 50	57.60.1123	1	pcie	12k	MF, 1%, 0204, E24	0	R 132	57.60.1153	1	pcie	15k	MF, 1%, 0204, E24
0	Q 53	50.80.0050	1	pcie	BC817-25	NPN	45V	800mA	SOT 23	0	R 51	57.60.1102	1	pcie	1k0	MF, 1%, 0204, E24	0	R 133	57.60.1153	1	pcie	15k	MF, 1%, 0204, E24
0	Q 54	50.80.1101	1	pcie	FMMT717	PNP	12V	1.5A	SOT 23	0	R 52	57.60.1102	1	pcie	1k0	MF, 1%, 0204, E24	0	R 134	57.69.1097	1	pcie	10k	CF 5% 0603
0	Q 55	50.80.1101	1	pcie	FMMT717	PNP	12V	1.5A	SOT 23	0	R 53	57.60.1101	1	pcie	100R	MF, 1%, 0204, E24	0	R 135	57.69.1097	1	pcie	10k	CF 5% 0603
0	Q 56	50.80.1101	1	pcie	FMMT717	PNP	12V	1.5A	SOT 23	0	R 54	57.60.1152	1	pcie	1k8	MF, 1%, 0204, E24	0	R 136	57.60.1152	1	pcie	1k5	MF, 1%, 0204, E24
0	Q 57	50.80.1101	1	pcie	FMMT717	PNP	12V	1.5A	SOT 23	0	R 55	57.60.1103	1	pcie	10k	MF, 1%, 0204, E24	0	R 137	57.60.1152	1	pcie	1k5	MF, 1%, 0204, E24
0	Q 58	50.80.1101	1	pcie	FMMT717	PNP	12V	1.5A	SOT 23	0	R 56	57.60.1152	1	pcie	1k5	MF, 1%, 0204, E24	0	R 138	57.69.1097	1	pcie	10k	CF 5% 0603
0	Q 59	50.80.1101	1	pcie	FMMT717	PNP	12V	1.5A	SOT 23	0	R 57	57.60.1683	1	pcie	68k	MF, 1%, 0204, E24	0	R 139	57.60.1683	1	pcie	68k	MF, 1%, 0204, E24
0	Q 60	50.80.1101	1	pcie	FMMT717	PNP	12V	1.5A	SOT 23	0	R 58	57.60.1242	1	pcie	2k4	MF, 1%, 0204, E24	0	R 140	57.60.1102	1	pcie	1k0	MF, 1%, 0204, E24
0	Q 61	50.80.1101	1	pcie	FMMT717	PNP	12V	1.5A	SOT 23	0	R 59	57.60.1331	1	pcie	330R	MF, 1%, 0204, E24	0	R 141	57.60.1102	1	pcie	1k0	MF, 1%, 0204, E24
0	Q 62	50.80.0050	1	pcie	BC817-25	NPN	45V	800mA	SOT 23	0	R 60	57.69.1097	1	pcie	10k	CF 5% 0603	0	R 142	57.60.1683	1	pcie	68k	MF, 1%, 0204, E24
0	Q 63	50.80.0050	1	pcie	BC817-25	NPN	45V	800mA	SOT 23	0	R 61	57.60.1683	1	pcie	68k	MF, 1%, 0204, E24	0	R 143	57.69.1097	1	pcie	10k	CF 5% 0603
0	Q 64	50.80.0050	1	pcie	BC817-25	NPN	45V	800mA	SOT 23	0	R 62	57.92.7011	1	pcie	20k	PTC 60V	0	R 144	57.60.1152	1	pcie	1k5	MF, 1%, 0204, E24
0	Q 65	50.80.0050	1	pcie	BC817-25	NPN	45V	800mA	SOT 23	0	R 63	57.60.1683	1	pcie	68k	MF, 1%, 0204, E24	0	R 145	57.60.1152				

Cannel Controller Board 1.950.762.20

Idx	Pos.	Part No.	Qty.	Type/Val.	Description
0	R 257	57.69.1097	1 pce	10k	CF 5% 0603
0	R 258	57.69.1097	1 pce	10k	CF 5% 0603
0	R 259	57.60.1101	1 pce	100R	MF, 1%, 0204, E24
0	R 260	57.60.1103	1 pce	10k	MF, 1%, 0204, E24
0	R 261	57.60.1102	1 pce	1k0	MF, 1%, 0204, E24
0	R 262	57.60.1471	1 pce	470R	MF, 1%, 0204, E24
0	R 263	57.60.1471	1 pce	470R	MF, 1%, 0204, E24
0	R 264	57.60.1471	1 pce	470R	MF, 1%, 0204, E24
0	R 265	57.60.1471	1 pce	470R	MF, 1%, 0204, E24
0	R 266	57.60.1471	1 pce	470R	MF, 1%, 0204, E24
0	R 267	57.60.1471	1 pce	470R	MF, 1%, 0204, E24
0	R 268	57.60.1471	1 pce	470R	MF, 1%, 0204, E24
0	R 269	57.60.1471	1 pce	470R	MF, 1%, 0204, E24
0	R 270	57.69.1097	1 pce	10k	CF 5% 0603
0	R 271	57.60.1101	1 pce	100R	MF, 1%, 0204, E24
0	R 272	57.69.1097	1 pce	10k	CF 5% 0603
0	R 273	57.60.1100	1 pce	10R	MF, 1%, 0204, E24
0	R 274	57.60.1100	1 pce	10R	MF, 1%, 0204, E24
0	R 275	57.60.1100	1 pce	10R	MF, 1%, 0204, E24
0	R 276	57.60.1100	1 pce	10R	MF, 1%, 0204, E24
0	R 277	57.60.1100	1 pce	10R	MF, 1%, 0204, E24
0	R 278	57.60.1100	1 pce	10R	MF, 1%, 0204, E24
0	R 279	57.60.1100	1 pce	10R	MF, 1%, 0204, E24
0	R 280	57.60.1100	1 pce	10R	MF, 1%, 0204, E24
0	R 281	57.69.1097	1 pce	10k	CF 5% 0603
0	R 282	57.69.1097	1 pce	10k	CF 5% 0603
0	R 283	57.60.1101	1 pce	100R	MF, 1%, 0204, E24
0	R 284	57.69.1097	1 pce	10k	CF 5% 0603
0	R 285	57.69.1097	1 pce	10k	CF 5% 0603
0	R 286	57.60.1101	1 pce	100R	MF, 1%, 0204, E24
0	R 287	57.60.1101	1 pce	100R	MF, 1%, 0204, E24
0	R 288	57.60.1103	1 pce	10k	MF, 1%, 0204, E24
0	R 289	57.60.1100	1 pce	10R	MF, 1%, 0204, E24
0	R 290	57.60.1100	1 pce	10R	MF, 1%, 0204, E24
0	R 291	57.60.1100	1 pce	10R	MF, 1%, 0204, E24
0	R 292	57.60.1100	1 pce	10R	MF, 1%, 0204, E24
0	R 293	57.60.1100	1 pce	10R	MF, 1%, 0204, E24
0	R 294	57.60.1100	1 pce	10R	MF, 1%, 0204, E24
0	R 295	57.60.1100	1 pce	10R	MF, 1%, 0204, E24
0	R 296	57.60.1100	1 pce	10R	MF, 1%, 0204, E24
0	R 297	57.60.1103	1 pce	10k	MF, 1%, 0204, E24
1	R 298	57.60.1102	1 pce	1k0	MF, 1%, 0204, E24
1	R 299	57.60.1102	1 pce	1k0	MF, 1%, 0204, E24
1	R 300	57.60.1102	1 pce	1k0	MF, 1%, 0204, E24
1	R 301	57.60.1102	1 pce	1k0	MF, 1%, 0204, E24
1	R 302	57.60.1102	1 pce	1k0	MF, 1%, 0204, E24
1	R 303	57.60.1102	1 pce	1k0	MF, 1%, 0204, E24
1	R 304	57.60.1102	1 pce	1k0	MF, 1%, 0204, E24
0	R 305	57.60.1102	1 pce	1k0	MF, 1%, 0204, E24
0	R 306	57.60.1102	1 pce	1k0	MF, 1%, 0204, E24
0	R 307	57.60.1100	1 pce	10R	MF, 1%, 0204, E24
0	S 1	55.12.1316	1 pce	N=40	Drehgeber magnetisch
0	S 2	55.12.1316	1 pce	N=40	Drehgeber magnetisch
0	S 3	55.12.1316	1 pce	N=40	Drehgeber magnetisch
0	S 4	55.12.1316	1 pce	N=40	Drehgeber magnetisch
0	S 5	55.12.1316	1 pce	N=40	Drehgeber magnetisch
0	S 6	55.12.1316	1 pce	N=40	Drehgeber magnetisch
0	S 7	55.12.1316	1 pce	N=40	Drehgeber magnetisch
0	S 8	55.12.1316	1 pce	N=40	Drehgeber magnetisch
0	S 9	55.12.1316	1 pce	N=40	Drehgeber magnetisch
0	S 10	55.12.1316	1 pce	N=40	Drehgeber magnetisch
0	S 11	55.12.1316	1 pce	N=40	Drehgeber magnetisch
0	S 12	55.12.1316	1 pce	N=40	Drehgeber magnetisch
0	S 13	55.12.1316	1 pce	N=40	Drehgeber magnetisch
0	S 14	55.12.1316	1 pce	N=40	Drehgeber magnetisch
0	S 15	55.12.1316	1 pce	N=40	Drehgeber magnetisch
0	S 16	55.12.1316	1 pce	N=40	Drehgeber magnetisch
0	S 17	55.60.0201	1 pce	1*s	SMD Tactswitch
0	S 18	55.12.1108	1 pce	8p	DIL-Switch piano
0	XIC 15	53.03.0173		28p	DIL 0.8", löt. gerade
0	XIC 17	53.03.2232		32p	PLCC-Socket
0	XIC 18	53.03.2232		32p	PLCC-Socket
0	XIC 41	53.03.2220		20p	PLCC-Socket
0	Y 1	89.60.1005	1 pce	18.000MHz	SMD Quartz
0	Y 2	89.60.1005	1 pce	18.000MHz	SMD Quartz

End of List

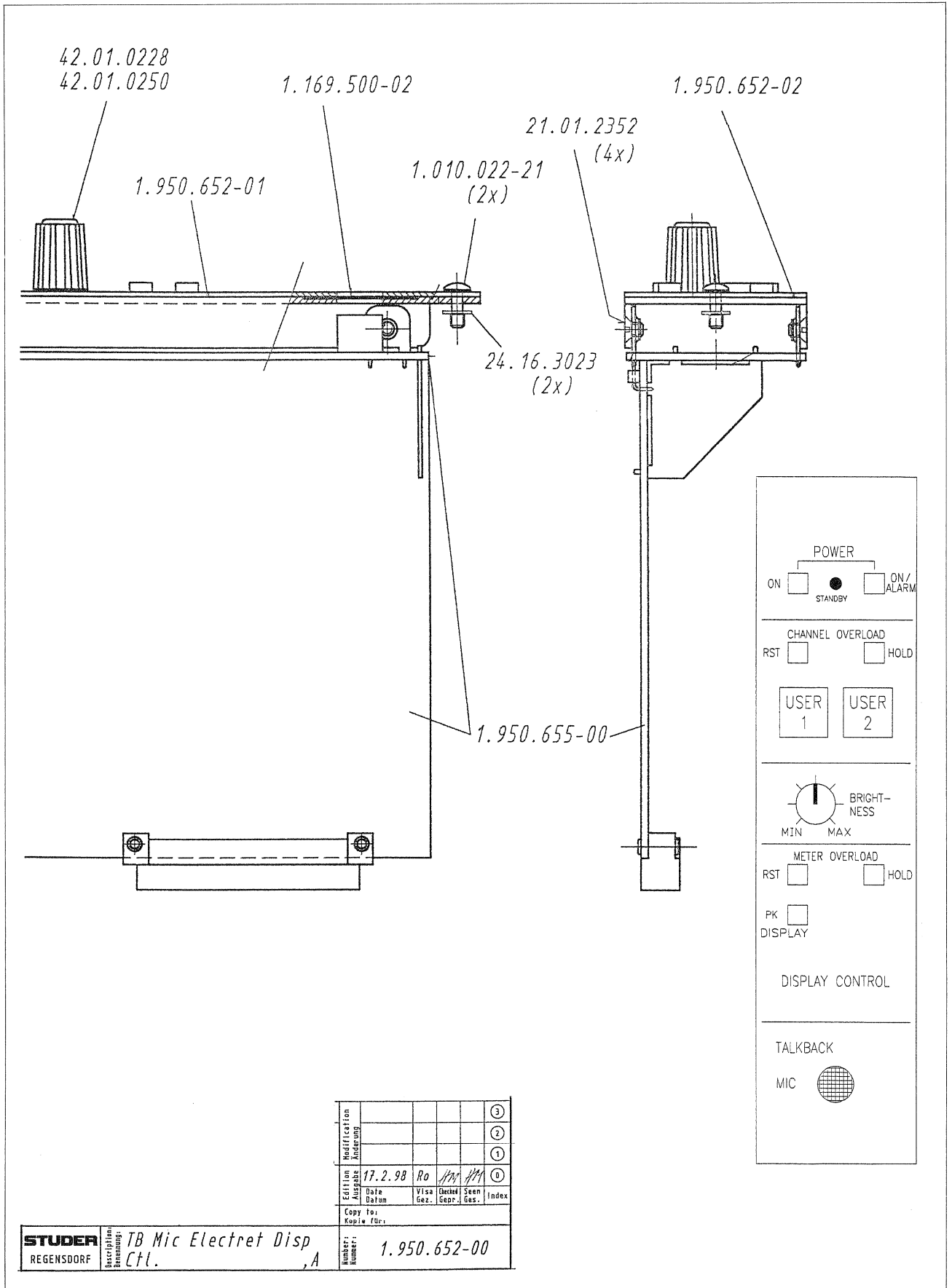
Comments

SCHEMATA / CIRCUIT DIAGRAMS

Meter Panel Units

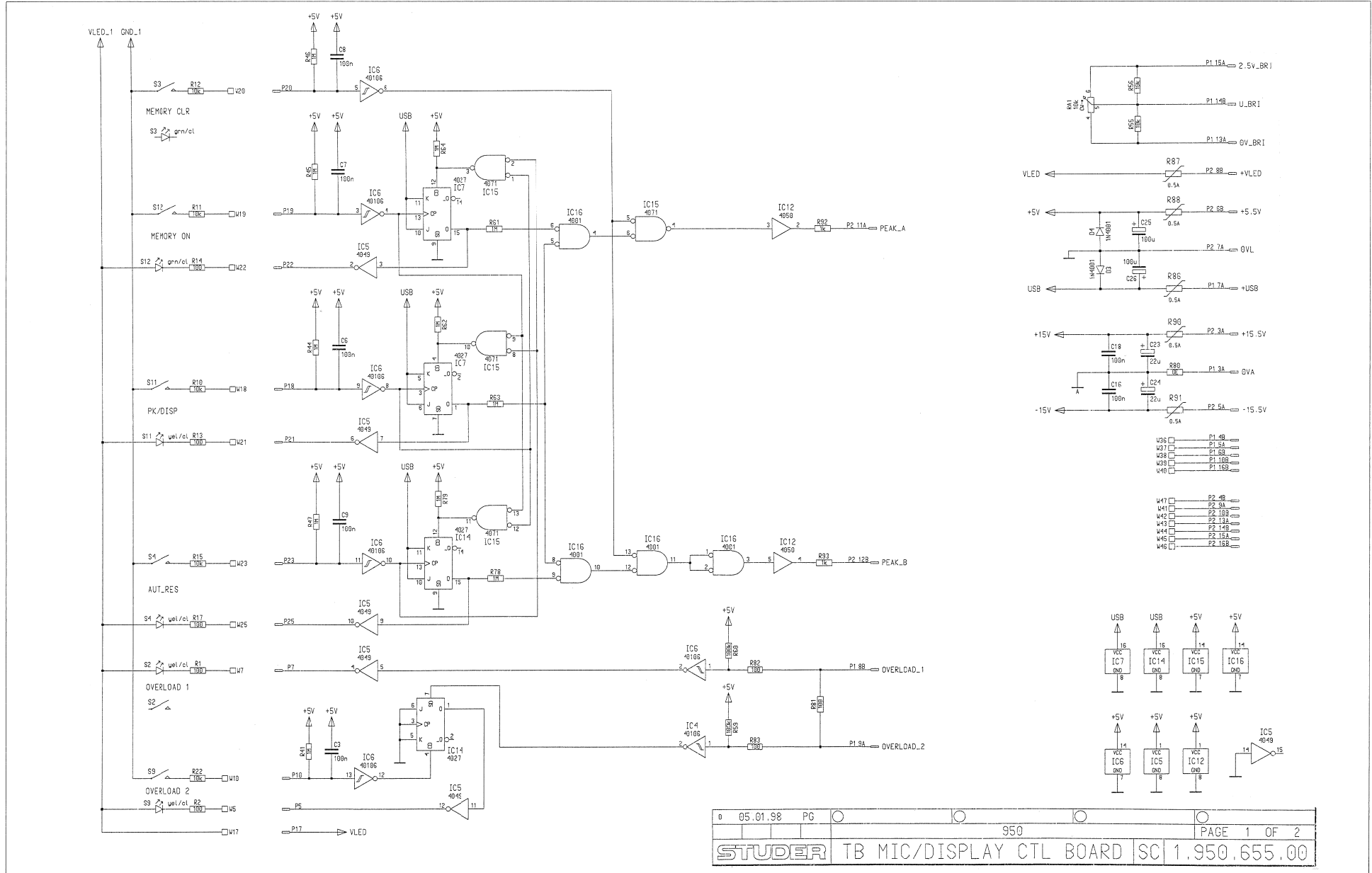
TB MIC/Display Control Unit	1.950.652.00
TB MIC/Display CTL Board	1.950.655.00
4CH VFD Digital Bargraph	1.950.641.20
Bargraph VFD + Bus Board	1.990.633.00
Bargraph Control.....	1.950.635.20

TB Mic. Electret Disp Ctl. 1.950.652.00



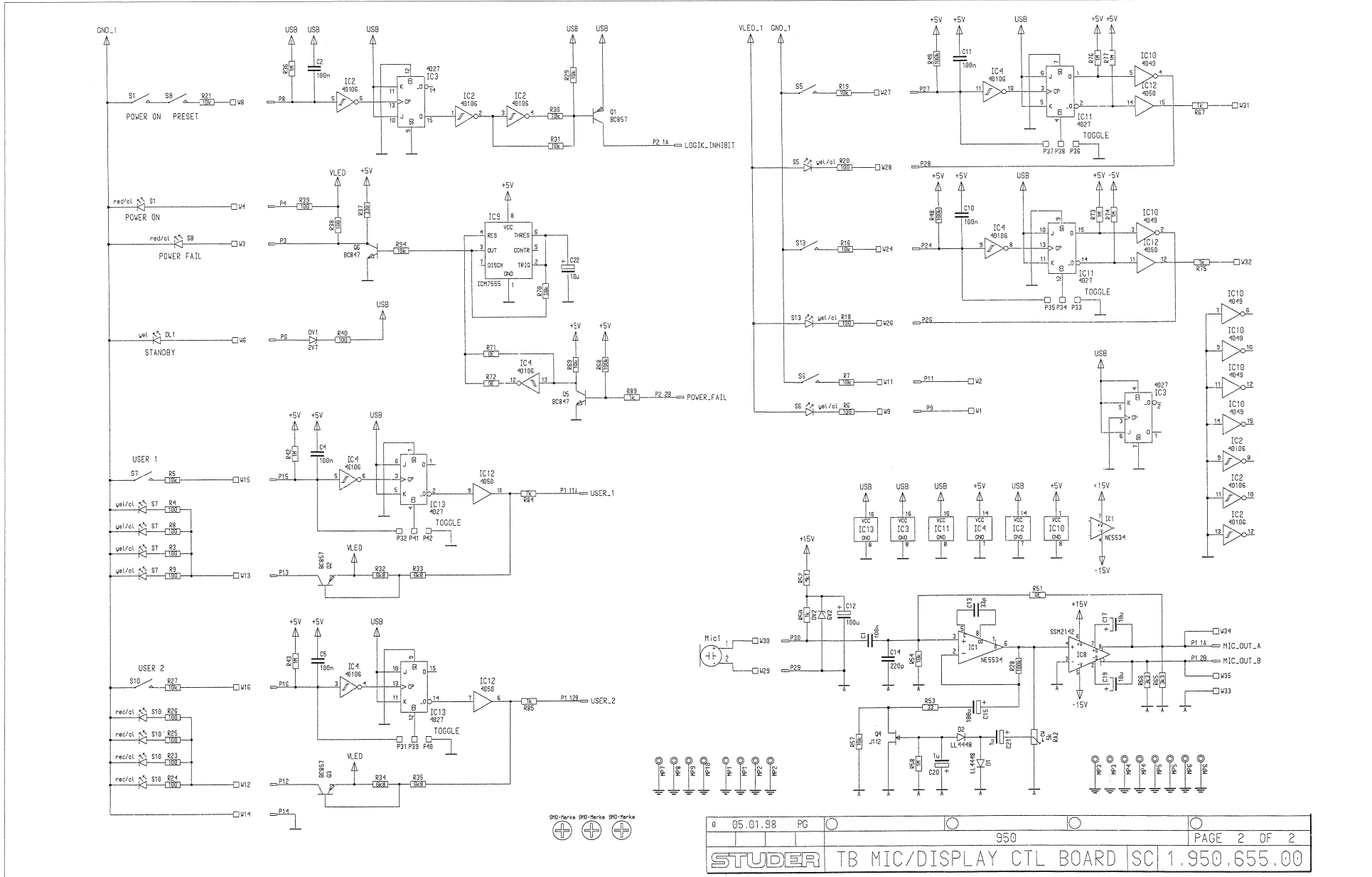


TB Mic / Display CTL Board 1.950.655.00



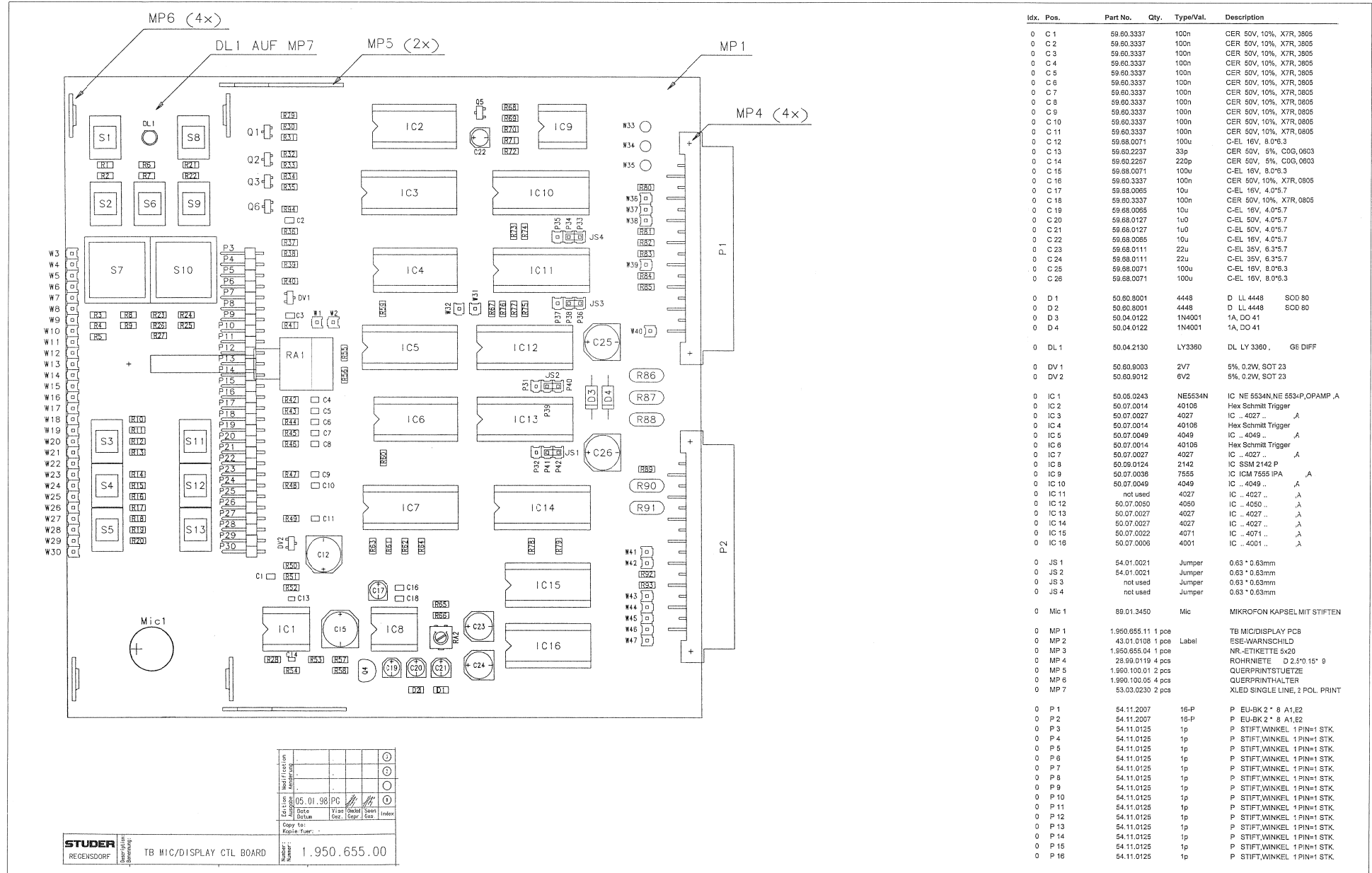


TB Mic / Display CTL Board 1.950.655.00





TB Mic / Display CTL Board 1.950.655.00





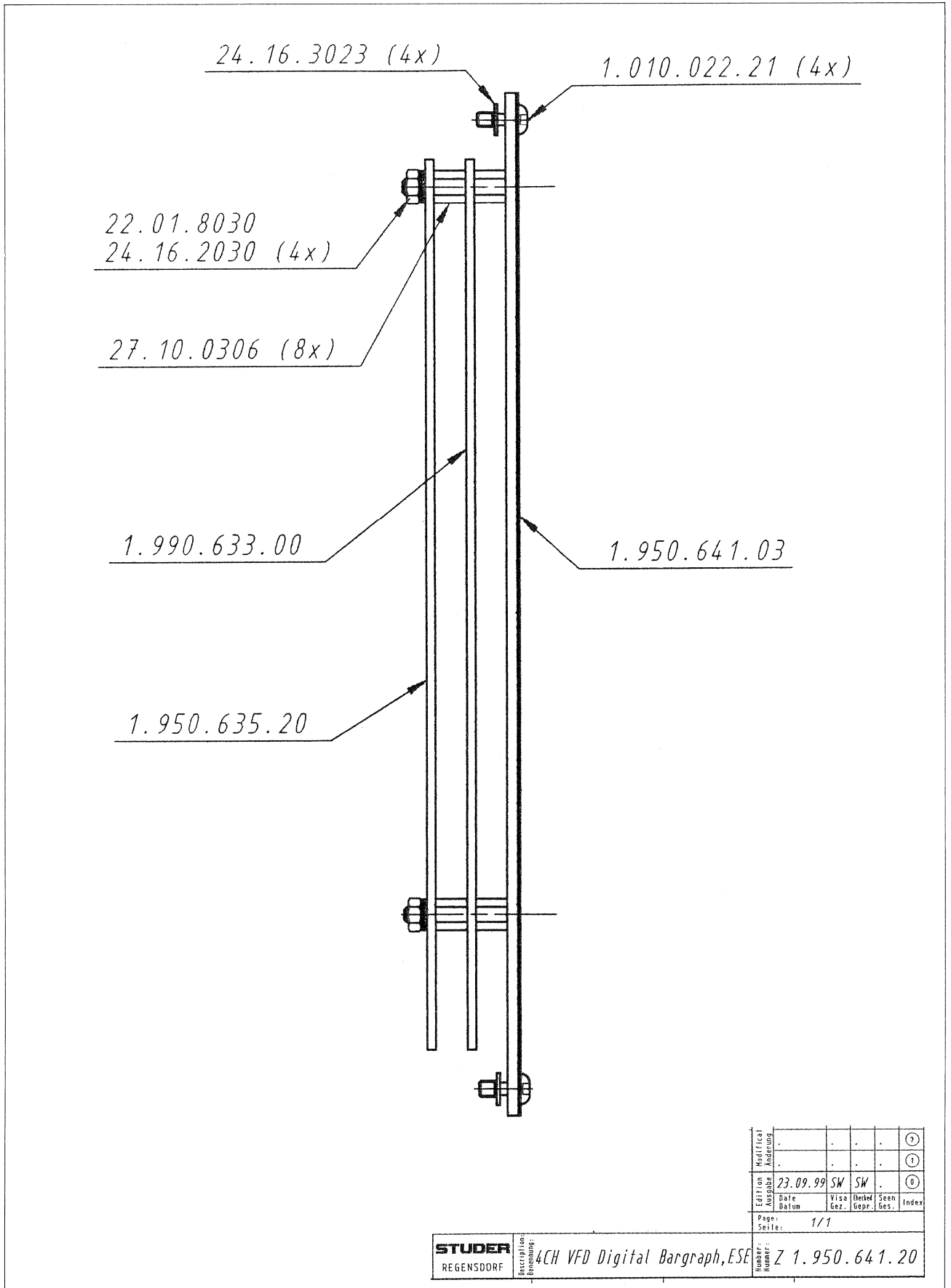
TB Mic / Display CTL Board 1.950.655.00

Idx.	Pos.	Part No.	Qty.	Type/Val.	Description	Idx.	Pos.	Part No.	Qty.	Type/Val.	Description
0	P 17	54.11.0125	1p	P	STIFT,WINKEL 1 PIN=1 STK.	0	R 53	57.60.1330	33R	MF, 1%, 0204, E24	
0	P 18	54.11.0125	1p	P	STIFT,WINKEL 1 PIN=1 STK.	0	R 54	57.60.1103	10K	MF, 1%, 0204, E24	
0	P 19	54.11.0125	1p	P	STIFT,WINKEL 1 PIN=1 STK.	0	R 55	57.60.1103	10K	MF, 1%, 0204, E24	
0	P 20	54.11.0125	1p	P	STIFT,WINKEL 1 PIN=1 STK.	0	R 56	57.60.1103	10K	MF, 1%, 0204, E24	
0	P 21	54.11.0125	1p	P	STIFT,WINKEL 1 PIN=1 STK.	0	R 57	57.60.1103	10K	MF, 1%, 0204, E24	
0	P 22	54.11.0125	1p	P	STIFT,WINKEL 1 PIN=1 STK.	0	R 58	57.60.1105	1M	MF, 1%, 0204, E24	
0	P 23	54.11.0125	1p	P	STIFT,WINKEL 1 PIN=1 STK.	0	R 59	57.60.1104	100K	MF, 1%, 0204, E24	
0	P 24	54.11.0125	1p	P	STIFT,WINKEL 1 PIN=1 STK.	0	R 60	57.60.1104	100K	MF, 1%, 0204, E24	
0	P 25	54.11.0125	1p	P	STIFT,WINKEL 1 PIN=1 STK.	0	R 61	57.60.1105	1M	MF, 1%, 0204, E24	
0	P 26	54.11.0125	1p	P	STIFT,WINKEL 1 PIN=1 STK.	0	R 62	57.60.1105	1M	MF, 1%, 0204, E24	
0	P 27	54.11.0125	1p	P	STIFT,WINKEL 1 PIN=1 STK.	0	R 63	57.60.1105	1M	MF, 1%, 0204, E24	
0	P 28	54.11.0125	1p	P	STIFT,WINKEL 1 PIN=1 STK.	0	R 64	57.60.1105	1M	MF, 1%, 0204, E24	
0	P 29	54.11.0125	1p	P	STIFT,WINKEL 1 PIN=1 STK.	0	R 65	57.60.1332	3K3	MF, 1%, 0204, E24	
0	P 30	54.11.0125	1p	P	STIFT,WINKEL 1 PIN=1 STK.	0	R 66	57.60.1332	3K3	MF, 1%, 0204, E24	
0	P 31	54.01.0020	1p	Pin 0.63*0.63		0	R 67	57.60.1102	1K	MF, 1%, 0204, E24	
0	P 32	54.01.0020	1p	Pin 0.63*0.63		0	R 68	57.60.1104	100K	MF, 1%, 0204, E24	
0	P 33	not used	1p	Pin 0.63*0.63		0	R 69	57.60.1103	10K	MF, 1%, 0204, E24	
0	P 34	not used	1p	Pin 0.63*0.63		0	R 70	57.60.1683	66K	MF, 1%, 0204, E24	
0	P 35	not used	1p	Pin 0.63*0.63		0	R 71	57.60.1000	0R0	MF, 0204	
0	P 36	not used	1p	Pin 0.63*0.63		0	R 72	not used	0R0	MF, 0204	
0	P 37	not used	1p	Pin 0.63*0.63		0	R 73	57.60.1105	1M	MF, 1%, 0204, E24	
0	P 38	not used	1p	Pin 0.63*0.63		0	R 74	57.60.1105	1M	MF, 1%, 0204, E24	
0	P 39	54.01.0020	1p	Pin 0.63*0.63		0	R 75	57.60.1102	1K	MF, 1%, 0204, E24	
0	P 40	54.01.0020	1p	Pin 0.63*0.63		0	R 76	57.60.1105	1M	MF, 1%, 0204, E24	
0	P 41	54.01.0020	1p	Pin 0.63*0.63		0	R 77	57.60.1105	1M	MF, 1%, 0204, E24	
0	P 42	54.01.0020	1p	Pin 0.63*0.63		0	R 78	57.60.1105	1M	MF, 1%, 0204, E24	
0	P 43	54.01.0020	1p	Pin 0.63*0.63		0	R 79	57.60.1105	1M	MF, 1%, 0204, E24	
0	Q 1	50.60.1001	BC857B	Q	BC 857 B, SOT 23	0	R 80	57.60.1000	0R0	MF, 0204	
0	Q 2	50.60.1001	BC857B	Q	BC 857 B, SOT 23	0	R 81	57.60.1101	100R	MF, 1%, 0204, E24	
0	Q 3	50.60.1001	BC857B	Q	BC 857 B, SOT 23	0	R 82	57.60.1101	100R	MF, 1%, 0204, E24	
0	Q 4	50.03.0380	J-112	J	J-112	0	R 83	57.60.1101	100R	MF, 1%, 0204, E24	
0	Q 5	50.60.0001	BC847B	Q	BC 847 B, SOT 23	0	R 84	57.60.1102	1K	MF, 1%, 0204, E24	
0	Q 6	50.60.0001	BC847B	Q	BC 847 B, SOT 23	0	R 85	57.60.1102	1K	MF, 1%, 0204, E24	
0	R 1	57.60.1101	100R	MF, 1%, 0204, E24		0	R 86	57.92.7013	0.5A	POLY-PTD, 60V	
0	R 2	57.60.1101	100R	MF, 1%, 0204, E24		0	R 87	57.92.7013	0.5A	POLY-PTD, 60V	
0	R 3	57.60.1101	100R	MF, 1%, 0204, E24		0	R 88	57.92.7013	0.5A	POLY-PTD, 60V	
0	R 4	57.60.1101	100R	MF, 1%, 0204, E24		0	R 89	57.60.1102	1K	MF, 1%, 0204, E24	
0	R 5	57.60.1103	10K	MF, 1%, 0204, E24		0	R 90	57.92.7013	0.5A	POLY-PTD, 60V	
0	R 6	57.60.1101	100R	MF, 1%, 0204, E24		0	R 91	57.92.7013	0.5A	POLY-PTD, 60V	
0	R 7	57.60.1103	10K	MF, 1%, 0204, E24		0	R 92	57.60.1102	1K	MF, 1%, 0204, E24	
0	R 8	57.60.1101	100R	MF, 1%, 0204, E24		0	R 93	57.60.1102	1K	MF, 1%, 0204, E24	
0	R 9	57.60.1101	100R	MF, 1%, 0204, E24		0	R 94	57.60.1103	10K	MF, 1%, 0204, E24	
0	R 10	57.60.1103	10K	MF, 1%, 0204, E24		0	RA 1	1.010.101.58	100k/10k	POT 100K LIN,10 K LIN	
0	R 11	57.60.1103	10K	MF, 1%, 0204, E24		0	RA 2	58.60.0117	5x0	SMD 20%, 0.25W, Cermet	
0	R 12	57.60.1103	10K	MF, 1%, 0204, E24		0	S 1	55.15.0602	1'a	S TASTE 1'A, 5MM, RT/TRANS	
0	R 13	57.60.1101	100R	MF, 1%, 0204, E24		0	S 2	55.15.0604	1'a	S TASTE 1'A, 5MM, GB/TRANS	
0	R 14	57.60.1103	10K	MF, 1%, 0204, E24		0	S 3	55.15.0605	1'a	S TASTE 1'A, 5MM, GN/TRANS	
0	R 15	57.60.1103	10K	MF, 1%, 0204, E24		0	S 4	55.15.0604	1'a	S TASTE 1'A, 5MM, GB/TRANS	
0	R 16	57.60.1103	10K	MF, 1%, 0204, E24		0	S 5	not used	1'a	S TASTE 1'A, 5MM, GB/TRANS	
0	R 17	57.60.1101	100R	MF, 1%, 0204, E24		0	S 6	not used	1'a	S TASTE 1'A, 5MM, GB/TRANS	
0	R 18	57.60.1101	100R	MF, 1%, 0204, E24		0	S 7	55.15.0704	1'a	S TASTE 1'A, 12MM, GB/TRANS	
0	R 19	57.60.1103	10K	MF, 1%, 0204, E24		0	S 8	55.15.0602	1'a	S TASTE 1'A, 5MM, RT/TRANS	
0	R 20	57.60.1101	100R	MF, 1%, 0204, E24		0	S 9	55.15.0604	1'a	S TASTE 1'A, 5MM, GB/TRANS	
0	R 21	57.60.1103	10K	MF, 1%, 0204, E24		0	S 10	55.15.0702	1'a	S TASTE 1'A, 12MM, RT/TRANS	
0	R 22	57.60.1103	10K	MF, 1%, 0204, E24		0	S 11	55.15.0604	1'a	S TASTE 1'A, 5MM, GB/TRANS	
0	R 23	57.60.1101	100R	MF, 1%, 0204, E24		0	S 12	not used	1'a	S TASTE 1'A, 5MM, GN/TRANS	
0	R 24	57.60.1101	100R	MF, 1%, 0204, E24		0	S 13	not used	1'a	S TASTE 1'A, 5MM, GB/TRANS	
0	R 25	57.60.1101	100R	MF, 1%, 0204, E24							
0	R 26	57.60.1101	100R	MF, 1%, 0204, E24							
0	R 27	57.60.1103	10K	MF, 1%, 0204, E24							
0	R 28	57.60.1104	100K	MF, 1%, 0204, E24							
0	R 29	57.60.1103	10K	MF, 1%, 0204, E24							
0	R 30	57.60.1103	10K	MF, 1%, 0204, E24							
0	R 31	not used	10K	MF, 1%, 0204, E24							
0	R 32	57.60.1682	6K8	MF, 1%, 0204, E24							
0	R 33	57.60.1682	6K8	MF, 1%, 0204, E24							
0	R 34	57.60.1682	6K8	MF, 1%, 0204, E24							
0	R 35	57.60.1682	6K8	MF, 1%, 0204, E24							
0	R 36	57.60.1105	1M	MF, 1%, 0204, E24							
0	R 37	57.60.1331	330R	MF, 1%, 0204, E24							
0	R 38	not used	100R	MF, 1%, 0204, E24							
0	R 39	57.60.1101	100R	MF, 1%, 0204, E24							
0	R 40	57.60.1101	100R	MF, 1%, 0204, E24							
0	R 41	57.60.1105	1M	MF, 1%, 0204, E24							
0	R 42	57.60.1105	1M	MF, 1%, 0204, E24							
0	R 43	57.60.1105	1M	MF, 1%, 0204, E24							
0	R 44	57.60.1105	1M	MF, 1%, 0204, E24							
0	R 45	57.60.1105	1M	MF, 1%, 0204, E24							
0	R 46	57.60.1105	1M	MF, 1%, 0204, E24							
0	R 47	57.60.1105	1M	MF, 1%, 0204, E24							
0	R 48	57.60.1104	100K	MF, 1%, 0204, E24							
0	R 48	57.60.1104	100K	MF, 1%, 0204, E24							
0	R 50	57.60.1102	1K	MF, 1%, 0204, E24							
0	R 51	not used	0R0	MF, 0204							
0	R 52	57.60.1472	4K7	MF, 1%, 0204, E24							

End of List

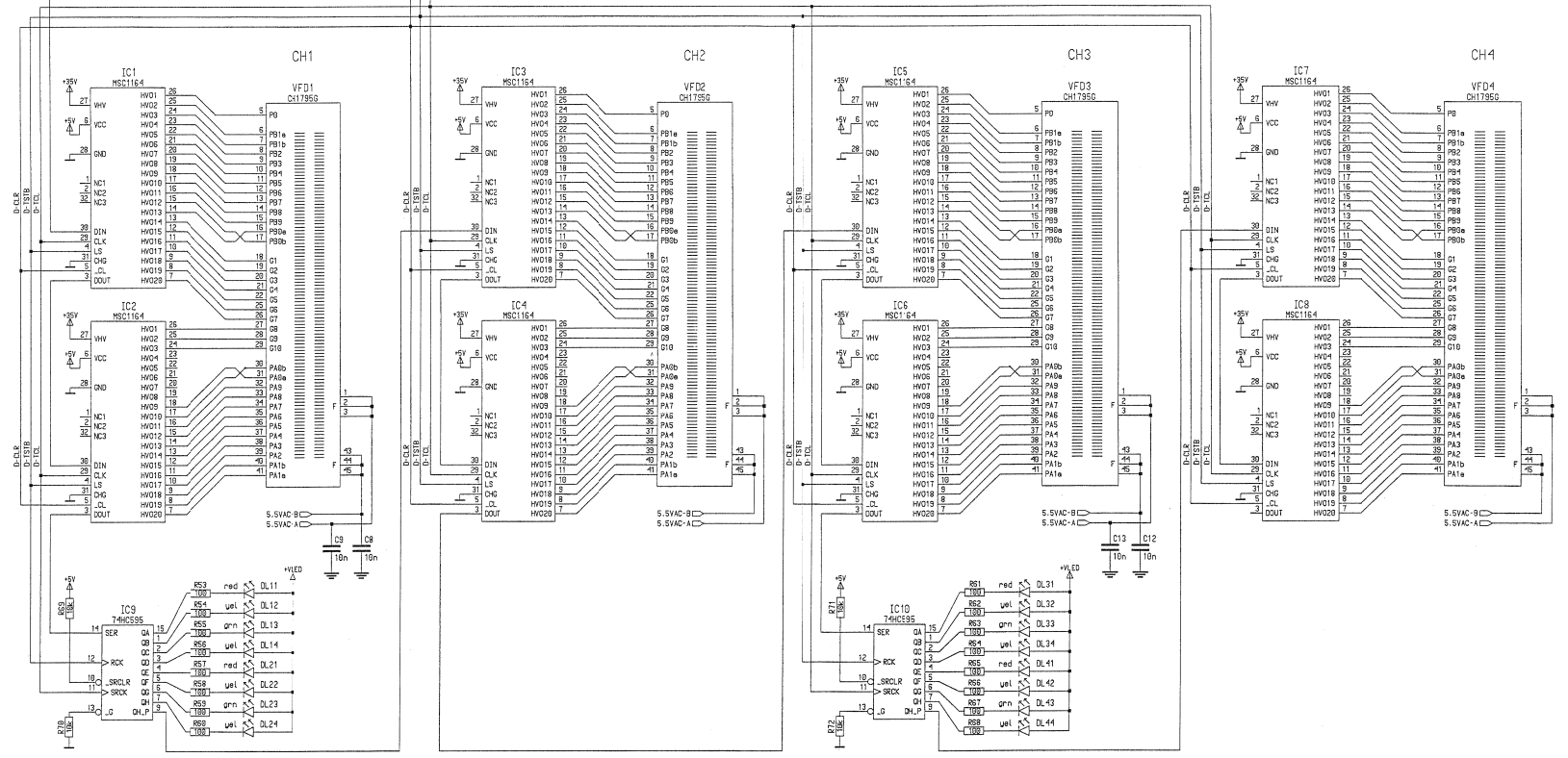
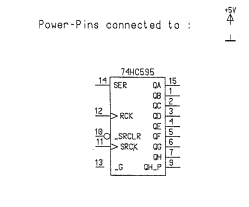
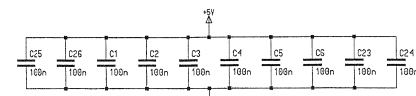
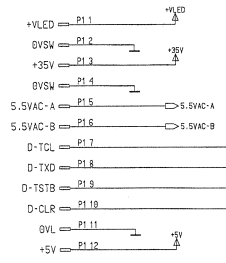
Comments

4CH VFD Digital Bargraph I.950.641.20



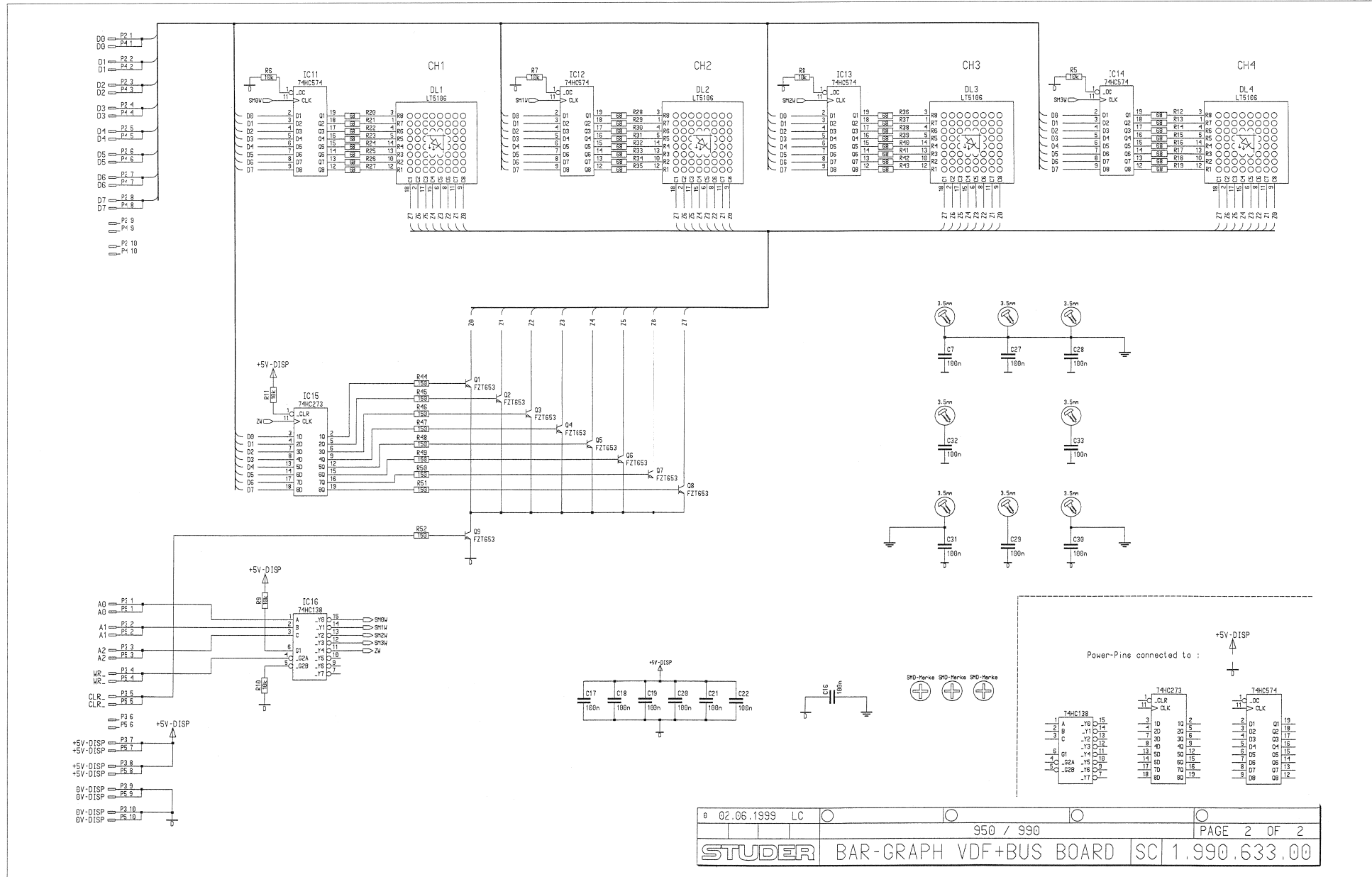


Bargraph VFD + Bus Board 1.990.633.00

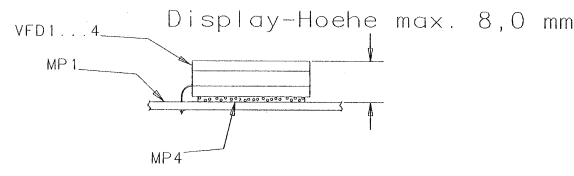
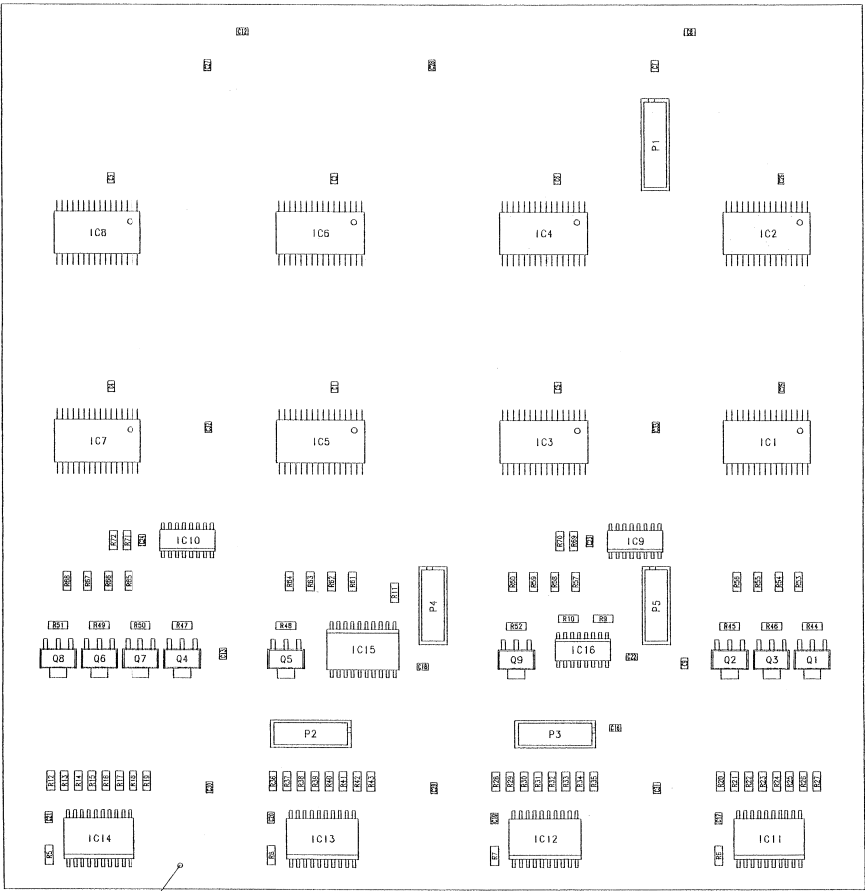
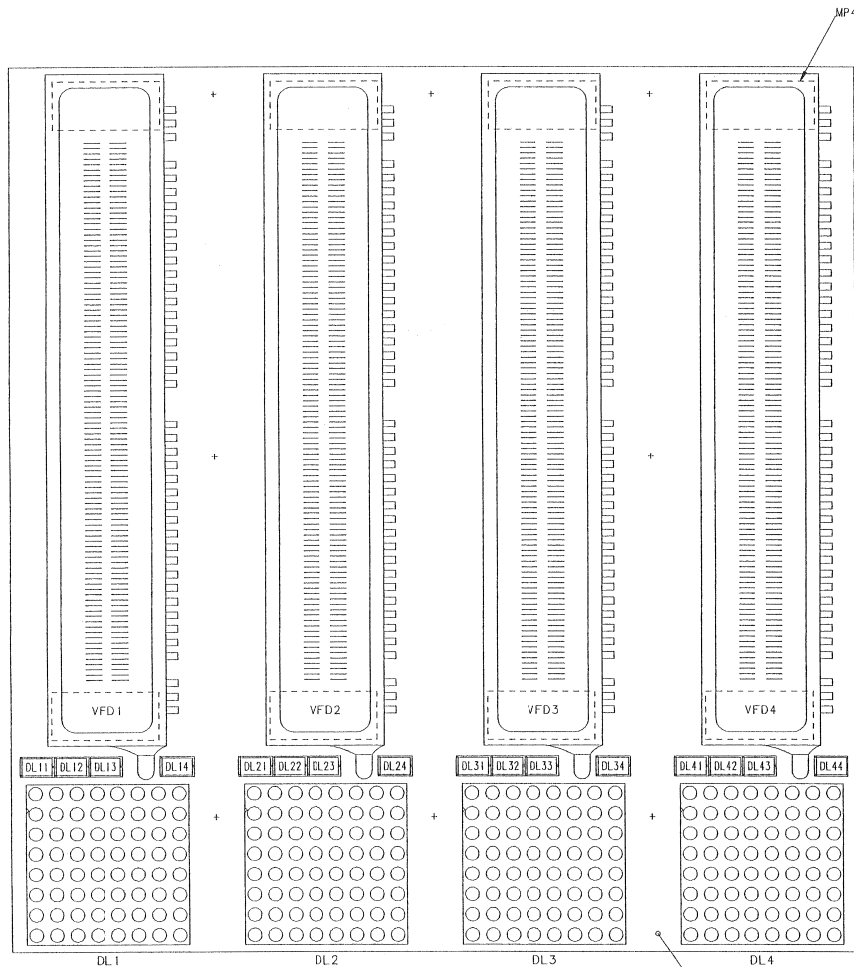




Bargraph VFD + Bus Board 1.990.633.00



Bargraph VFD + Bus Board 1.990.633.00



<p>STUDER REGENSDORF</p>	<p>BAR-GRAPH VFD+BUS BOARD, ESE</p>	<p>Fig. No. 1 / 1</p>	<p>1.990.633.00</p>
-------------------------------------	-------------------------------------	-----------------------	---------------------

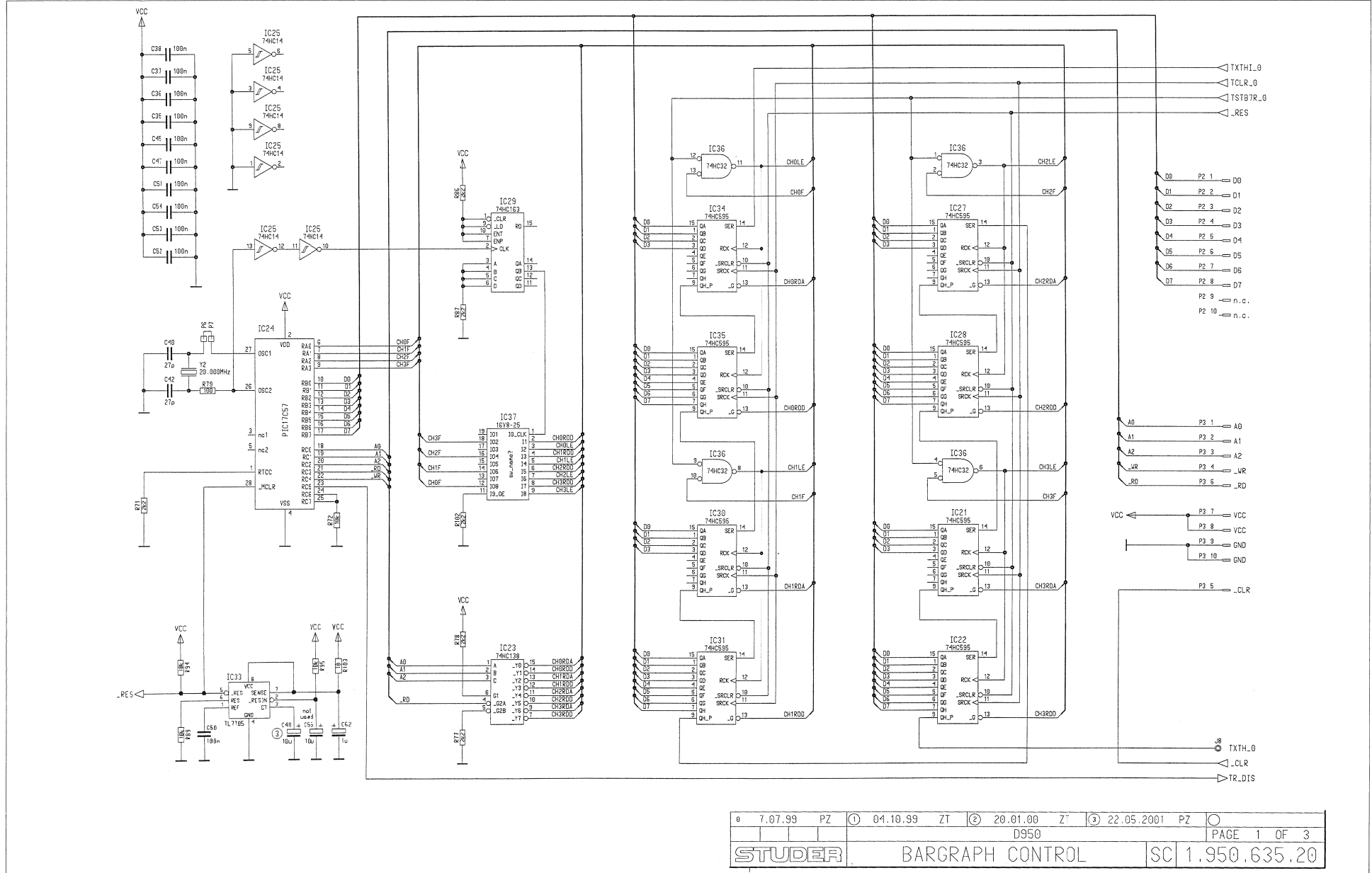


Bargraph VFD + Bus Board 1.990.633.00

Idx	Pos.	Part No.	Qty.	Type/Val.	Description	Idx	Pos.	Part No.	Qty.	Type/Val.	Description
0	C 1	59.60.3337	100n	CER	50V, 10%, X7R, 0805	0	Q 8	50.60.0150	FZT653	NPN 100V	2.0A SOT 223
0	C 2	59.60.3337	100n	CER	50V, 10%, X7R, 0805	0	Q 9	50.60.0150	FZT653	NPN 100V	2.0A SOT 223
0	C 3	59.60.3337	100n	CER	50V, 10%, X7R, 0805	0	R 5	57.60.1103	10K	MF, 1%	0204, E24
0	C 4	59.60.3337	100n	CER	50V, 10%, X7R, 0805	0	R 6	57.60.1103	10K	MF, 1%	0204, E24
0	C 5	59.60.3337	100n	CER	50V, 10%, X7R, 0805	0	R 7	57.60.1103	10K	MF, 1%	0204, E24
0	C 6	59.60.3337	100n	CER	50V, 10%, X7R, 0805	0	R 8	57.60.1103	10K	MF, 1%	0204, E24
0	C 7	59.60.3337	100n	CER	50V, 10%, X7R, 0805	0	R 9	57.60.1103	10K	MF, 1%	0204, E24
0	C 8	59.60.3325	10n	CER	50V, 10%, X7R, 0805	0	R 10	57.60.1103	10K	MF, 1%	0204, E24
0	C 9	59.60.3325	10n	CER	50V, 10%, X7R, 0805	0	R 11	57.60.1103	10K	MF, 1%	0204, E24
0	C 12	59.60.3325	10n	CER	50V, 10%, X7R, 0805	0	R 12	57.60.1680	68R	MF, 1%	0204, E24
0	C 13	59.60.3325	10n	CER	50V, 10%, X7R, 0805	0	R 13	57.60.1680	68R	MF, 1%	0204, E24
0	C 16	59.60.3337	100n	CER	50V, 10%, X7R, 0805	0	R 14	57.60.1680	68R	MF, 1%	0204, E24
0	C 17	59.60.3337	100n	CER	50V, 10%, X7R, 0805	0	R 15	57.60.1680	68R	MF, 1%	0204, E24
0	C 18	59.60.3337	100n	CER	50V, 10%, X7R, 0805	0	R 16	57.60.1680	68R	MF, 1%	0204, E24
0	C 19	59.60.3337	100n	CER	50V, 10%, X7R, 0805	0	R 17	57.60.1680	68R	MF, 1%	0204, E24
0	C 20	59.60.3337	100n	CER	50V, 10%, X7R, 0805	0	R 18	57.60.1680	68R	MF, 1%	0204, E24
0	C 21	59.60.3337	100n	CER	50V, 10%, X7R, 0805	0	R 19	57.60.1680	68R	MF, 1%	0204, E24
0	C 22	59.60.3337	100n	CER	50V, 10%, X7R, 0805	0	R 20	57.60.1680	68R	MF, 1%	0204, E24
0	C 23	59.60.3337	100n	CER	50V, 10%, X7R, 0805	0	R 21	57.60.1680	68R	MF, 1%	0204, E24
0	C 24	59.60.3337	100n	CER	50V, 10%, X7R, 0805	0	R 22	57.60.1680	68R	MF, 1%	0204, E24
0	C 25	59.60.3337	100n	CER	50V, 10%, X7R, 0805	0	R 23	57.60.1680	68R	MF, 1%	0204, E24
0	C 26	59.60.3337	100n	CER	50V, 10%, X7R, 0805	0	R 24	57.60.1680	68R	MF, 1%	0204, E24
0	C 27	59.60.3337	100n	CER	50V, 10%, X7R, 0805	0	R 25	57.60.1680	68R	MF, 1%	0204, E24
0	C 28	59.60.3337	100n	CER	50V, 10%, X7R, 0805	0	R 26	57.60.1680	68R	MF, 1%	0204, E24
0	C 28	59.60.3337	100n	CER	50V, 10%, X7R, 0805	0	R 26	57.60.1680	68R	MF, 1%	0204, E24
0	C 29	59.60.3337	100n	CER	50V, 10%, X7R, 0805	0	R 27	57.60.1680	68R	MF, 1%	0204, E24
0	C 30	59.60.3337	100n	CER	50V, 10%, X7R, 0805	0	R 28	57.60.1680	68R	MF, 1%	0204, E24
0	C 31	59.60.3337	100n	CER	50V, 10%, X7R, 0805	0	R 29	57.60.1680	68R	MF, 1%	0204, E24
0	C 32	59.60.3337	100n	CER	50V, 10%, X7R, 0805	0	R 30	57.60.1680	68R	MF, 1%	0204, E24
0	C 33	59.60.3337	100n	CER	50V, 10%, X7R, 0805	0	R 31	57.60.1680	68R	MF, 1%	0204, E24
0	DL 1	73.01.0404		8*8	Dot matrix display	0	R 32	57.60.1680	68R	MF, 1%	0204, E24
0	DL 2	73.01.0404		8*8	Dot matrix display	0	R 33	57.60.1680	68R	MF, 1%	0204, E24
0	DL 3	73.01.0404		8*8	Dot matrix display	0	R 34	57.60.1680	68R	MF, 1%	0204, E24
0	DL 4	73.01.0404		8*8	Dot matrix display	0	R 35	57.60.1680	68R	MF, 1%	0204, E24
1	DL 11	50.04.2119		MV57124A	DL MV 57124 A, RT	0	R 36	57.60.1680	68R	MF, 1%	0204, E24
1	DL 12	50.04.2118		MV53124A	DL MV 53124 A, GB	0	R 37	57.60.1680	68R	MF, 1%	0204, E24
1	DL 13	50.04.2146		MV54124A	DL MV 54124 A, GN	0	R 38	57.60.1680	68R	MF, 1%	0204, E24
1	DL 14	50.04.2118		MV53124A	DL MV 53124 A, GB	0	R 39	57.60.1680	68R	MF, 1%	0204, E24
1	DL 21	50.04.2119		MV57124A	DL MV 57124 A, RT	0	R 40	57.60.1680	68R	MF, 1%	0204, E24
1	DL 22	50.04.2118		MV53124A	DL MV 53124 A, GB	0	R 41	57.60.1680	68R	MF, 1%	0204, E24
1	DL 23	50.04.2146		MV54124A	DL MV 54124 A, GN	0	R 42	57.60.1680	68R	MF, 1%	0204, E24
1	DL 24	50.04.2118		MV53124A	DL MV 53124 A, GB	0	R 43	57.60.1680	68R	MF, 1%	0204, E24
1	DL 31	50.04.2119		MV57124A	DL MV 57124 A, RT	0	R 44	57.60.1151	150R	MF, 1%	0204, E24
1	DL 32	50.04.2118		MV53124A	DL MV 53124 A, GB	0	R 45	57.60.1151	150R	MF, 1%	0204, E24
1	DL 33	50.04.2146		MV54124A	DL MV 54124 A, GN	0	R 46	57.60.1151	150R	MF, 1%	0204, E24
1	DL 34	50.04.2118		MV53124A	DL MV 53124 A, GB	0	R 47	57.60.1151	150R	MF, 1%	0204, E24
1	DL 41	50.04.2119		MV57124A	DL MV 57124 A, RT	0	R 48	57.60.1151	150R	MF, 1%	0204, E24
1	DL 42	50.04.2118		MV53124A	DL MV 53124 A, GB	0	R 49	57.60.1151	150R	MF, 1%	0204, E24
1	DL 43	50.04.2146		MV54124A	DL MV 54124 A, GN	0	R 50	57.60.1151	150R	MF, 1%	0204, E24
1	DL 44	50.04.2118		MV53124A	DL MV 53124 A, GB	0	R 51	57.60.1151	150R	MF, 1%	0204, E24
0	IC 1	50.62.0008		MSC1164GS-	VF Display driver	0	R 52	57.60.1101	100R	MF, 1%	0204, E24
0	IC 2	50.62.0008		MSC1164GS-	VF Display driver	0	R 53	57.60.1101	100R	MF, 1%	0204, E24
0	IC 3	50.62.0008		MSC1164GS-	VF Display driver	0	R 54	57.60.1101	100R	MF, 1%	0204, E24
0	IC 4	50.62.0008		MSC1164GS-	VF Display driver	0	R 55	57.60.1101	100R	MF, 1%	0204, E24
0	IC 4	50.62.0008		MSC1164GS-	VF Display driver	0	R 56	57.60.1101	100R	MF, 1%	0204, E24
0	IC 5	50.62.0008		MSC1164GS-	VF Display driver	0	R 57	57.60.1101	100R	MF, 1%	0204, E24
0	IC 6	50.62.0008		MSC1164GS-	VF Display driver	0	R 58	57.60.1101	100R	MF, 1%	0204, E24
0	IC 7	50.62.0008		MSC1164GS-	VF Display driver	0	R 59	57.60.1101	100R	MF, 1%	0204, E24
0	IC 8	50.62.0008		MSC1164GS-	VF Display driver	0	R 60	57.60.1101	100R	MF, 1%	0204, E24
0	IC 9	50.62.1595		74HC595	8bit shift/output register	0	R 61	57.60.1101	100R	MF, 1%	0204, E24
0	IC 10	50.62.1595		74HC595	8bit shift/output register	0	R 62	57.60.1101	100R	MF, 1%	0204, E24
0	IC 11	50.62.1574		74HC574	Octal D-FF	0	R 63	57.60.1101	100R	MF, 1%	0204, E24
0	IC 12	50.62.1574		74HC574	Octal D-FF	0	R 64	57.60.1101	100R	MF, 1%	0204, E24
0	IC 13	50.62.1574		74HC574	Octal D-FF	0	R 65	57.60.1101	100R	MF, 1%	0204, E24
0	IC 14	50.62.1574		74HC574	Octal D-FF	0	R 66	57.60.1101	100R	MF, 1%	0204, E24
0	IC 15	50.62.1273		74HC273	Octal D-FF with reset	0	R 67	57.60.1101	100R	MF, 1%	0204, E24
0	IC 16	50.62.1138		74HC138	3 to 8 line decoder	0	R 68	57.60.1101	100R	MF, 1%	0204, E24
0	MP 1	1.990.633.11			BARGRAPH VFD+BUS BOARD PCB	0	R 69	57.60.1103	10K	MF, 1%	0204, E24
0	MP 2	1.990.633.04			Nr. Etikette 5 x 20	0	R 70	57.60.1103	10K	MF, 1%	0204, E24
0	MP 3	43.01.0108		Label	ESE-WARNRSCHILD	0	R 71	57.60.1103	10K	MF, 1%	0204, E24
0	MP 4	65.99.0192	8 pcs		Polyurethan-Kleband ws 9*0,8 Länge 20mm	0	R 72	57.60.1103	10K	MF, 1%	0204, E24
0	VFD 1	73.01.0302		Bargraph	Dual Bargraph Display						
0	VFD 2	73.01.0302		Bargraph	Dual Bargraph Display						
0	VFD 3	73.01.0302		Bargraph	Dual Bargraph Display						
0	VFD 4	73.01.0302		Bargraph	Dual Bargraph Display						
- End of List -											
Comments											
22.9.99 (1) new led											
0	Q 1	50.60.0150	FZT653	NPN 100V	2.0A SOT 223						
0	Q 2	50.60.0150	FZT653	NPN 100V	2.0A SOT 223						
0	Q 3	50.60.0150	FZT653	NPN 100V	2.0A SOT 223						
0	Q 4	50.60.0150	FZT653	NPN 100V	2.0A SOT 223						
0	Q 5	50.60.0150	FZT653	NPN 100V	2.0A SOT 223						
0	Q 6	50.60.0150	FZT653	NPN 100V	2.0A SOT 223						
0	Q 7	50.60.0150	FZT653	NPN 100V	2.0A SOT 223						

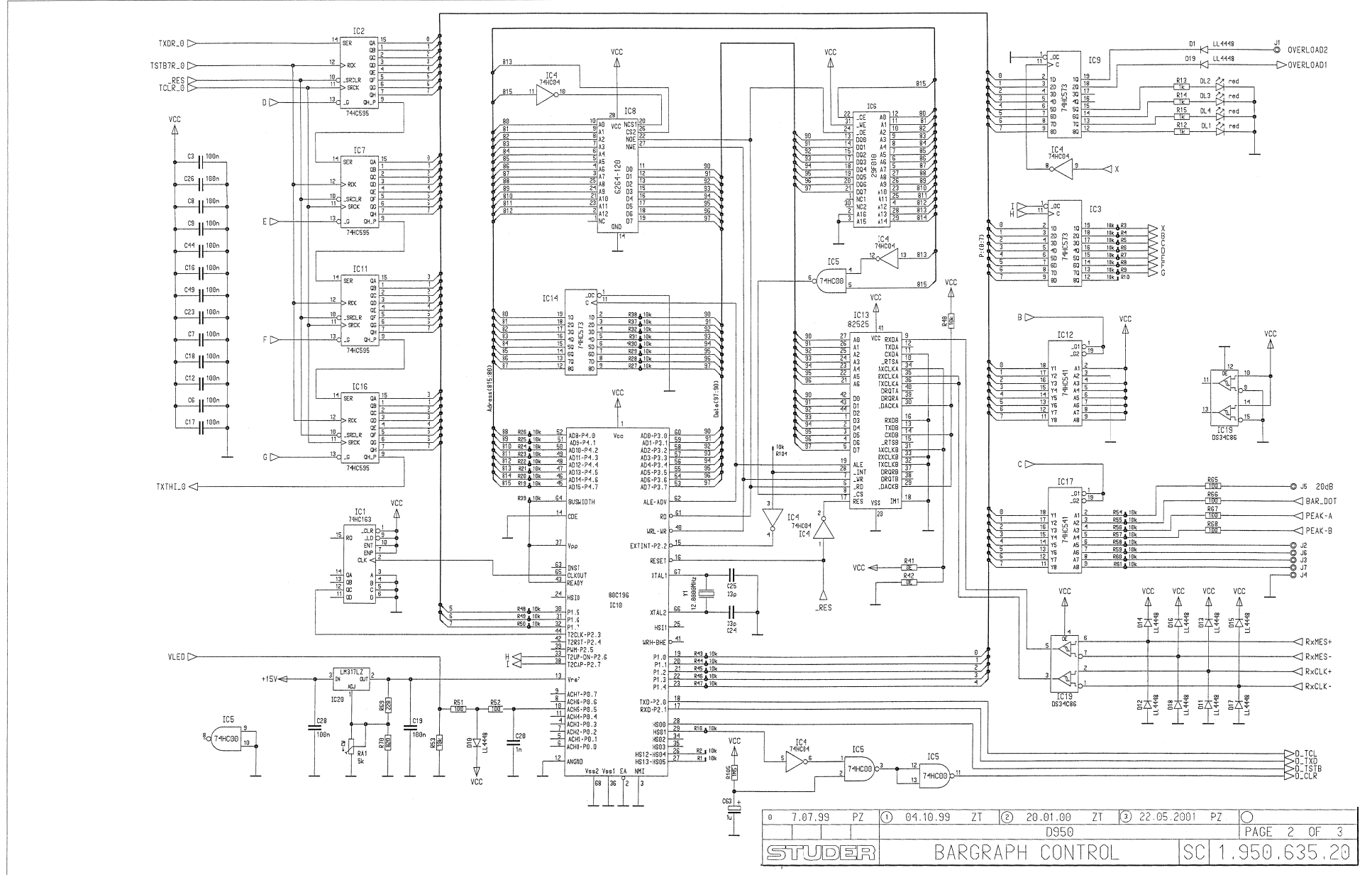


Bargraph Control 1.950.635.20



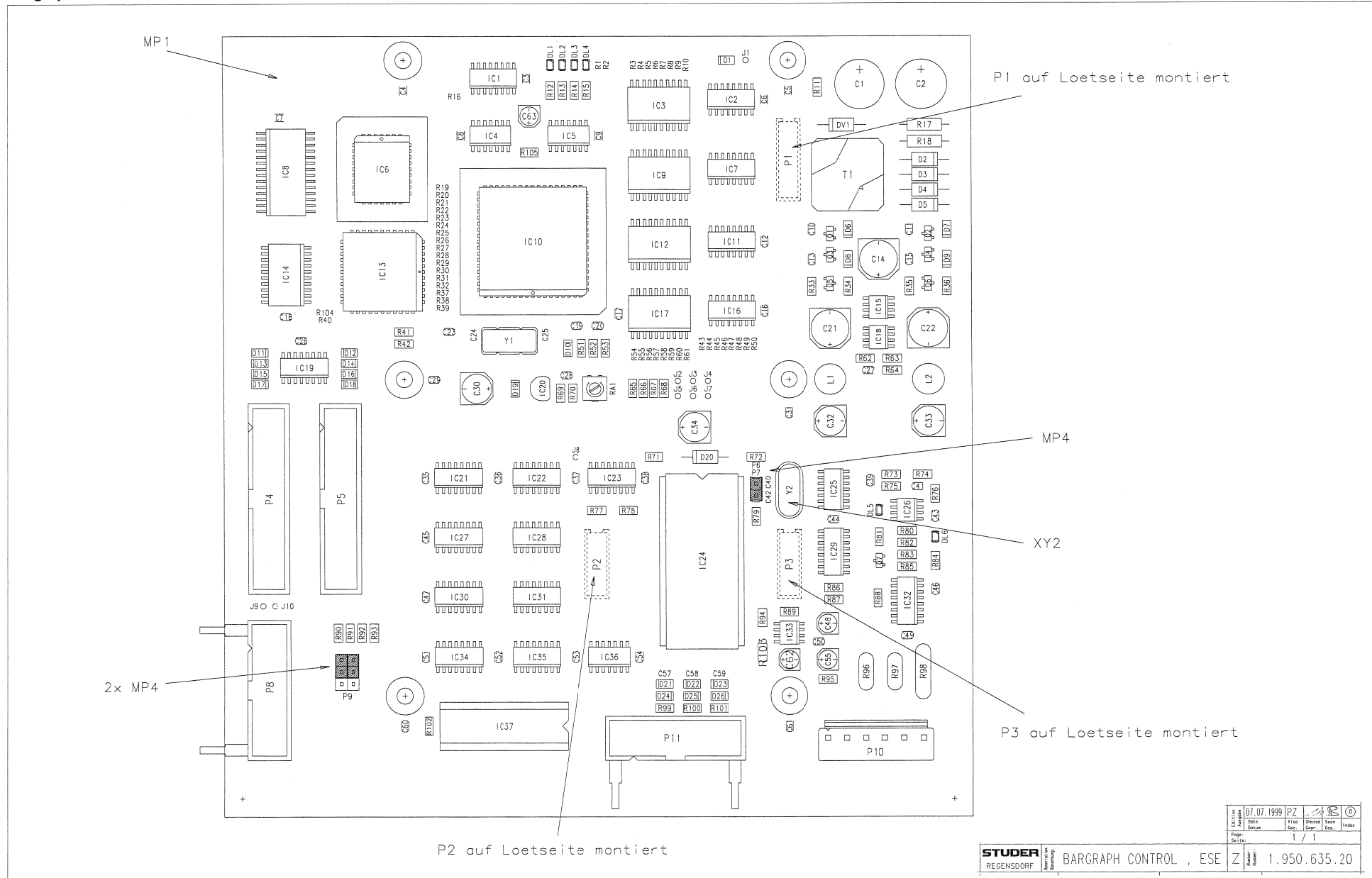
0	7.07.99	PZ	①	04.10.99	ZT	②	20.01.00	Z*	③	22.05.2001	PZ	○
D950											PAGE 1 OF 3	
STUDER			BARGRAPH CONTROL					SC 1.950.635.20				

Bargraph Control 1.950.635.20





Bargraph Control 1.950.635.20





Bargraph Control I.950.635.20

Idx	Pos.	Part No.	Qty.	Type/Val.	Description	Idx	Pos.	Part No.	Qty.	Type/Val.	Description
0	C 1	59.22.8470	47u	EL	63V 20% RM5	0	D 26	50.60.8001	4448	200mA 75V 4ns SOD 80	
0	C 2	59.22.8470	47u	EL	63V 20% RM5	0	DL 1	50.60.9401	red	SMD LED superred	
0	C 3	59.60.3337	100n	CER	50V, 10%, X7R, 0805	0	DL 2	50.60.9401	red	SMD LED superred	
0	C 4	59.60.3337	100n	CER	50V, 10%, X7R, 0805	0	DL 3	50.60.9401	red	SMD LED superred	
0	C 5	59.60.3337	100n	CER	50V, 10%, X7R, 0805	0	DL 4	50.60.9401	red	SMD LED superred	
0	C 6	59.60.3337	100n	CER	50V, 10%, X7R, 0805	0	DL 5	50.60.9401	red	SMD LED superred	
0	C 7	59.60.3337	100n	CER	50V, 10%, X7R, 0805	0	DL 6	50.60.9401	red	SMD LED superred	
0	C 8	59.60.3337	100n	CER	50V, 10%, X7R, 0805	0	DV 1	50.04.1511	6V2	Zener, 5%, 1.3W, DO-41	
0	C 9	59.60.3337	100n	CER	50V, 10%, X7R, 0805	0	IC 1	50.62.1163	74HC163	Synchr preset 4bit counter bin	
0	C 10	59.60.3337	100n	CER	50V, 10%, X7R, 0805	0	IC 2	50.62.1595	74HC595	8bit shift/output register	
0	C 11	59.60.3337	100n	CER	50V, 10%, X7R, 0805	0	IC 3	50.62.1573	74HC573	Octal D-type latch	
0	C 12	59.60.3337	100n	CER	50V, 10%, X7R, 0805	0	IC 4	50.62.1004	74HC 04	Hex inverter	
0	C 13	59.60.3337	100n	CER	50V, 10%, X7R, 0805	0	IC 5	50.62.1000	74HC 00	Quad 2input NAND	
0	C 14	59.68.0073	220u	EL	16V, 8.0*10.7	0	IC 6	1.940.933.20	SW950635	BARGRAPH	
0	C 15	59.60.3337	100n	CER	50V, 10%, X7R, 0805					(29F010, 50631303)	
0	C 16	59.60.3337	100n	CER	50V, 10%, X7R, 0805	0	IC 7	50.62.1595	74HC595	8bit shift/output register	
0	C 17	59.60.3337	100n	CER	50V, 10%, X7R, 0805	0	IC 8	50.63.1502	6264	SRAM 8K*8, 120ns	
0	C 18	59.60.3337	100n	CER	50V, 10%, X7R, 0805	0	IC 9	50.62.1573	74HC573	Octal D-type latch	
0	C 19	59.60.3337	100n	CER	50V, 10%, X7R, 0805	0	IC 10	50.63.0003	80C196	MPU 16bit	
0	C 20	59.63.1113	1n0	PPS	50V, 2%, 0805	0	IC 11	50.62.1595	74HC595	8bit shift/output register	
0	C 21	59.68.0115	100u	EL	35V, 8.0*10.7	0	IC 12	50.62.1541	74HC541	Octal buffer line driver/recei	
0	C 22	59.68.0115	100u	EL	35V, 8.0*10.7	0	IC 13	50.63.0200	SAB82525-N	Serial Communication Control.	
0	C 23	59.60.3337	100n	CER	50V, 10%, X7R, 0805	0	IC 14	50.62.1573	74HC573	Octal D-type latch	
0	C 24	59.60.2237	33p	CER	50V, 5%, COG, 0603	0	IC 15	50.61.9001	LM393	Dual voltage comp. SO 8	
0	C 25	59.60.2237	33p	CER	50V, 5%, COG, 0603	0	IC 16	50.62.1595	74HC595	8bit shift/output register	
0	C 26	59.60.3337	100n	CER	50V, 10%, X7R, 0805	0	IC 17	50.62.1541	74HC541	Octal buffer line driver/recei	
0	C 27	59.60.3317	2n2	CER	50V, 10%, X7R, 0805	0	IC 18	50.61.0207	LF353	Dual Op-Amp JFET SO 8	
0	C 28	59.60.3337	100n	CER	50V, 10%, X7R, 0805	0	IC 19	50.62.0463	DS34C86	4*RS 422 Line Receiver	
0	C 29	59.60.3337	100n	CER	50V, 10%, X7R, 0805	0	IC 20	50.10.0108	LM317L	Series regulator 100mA ...+37V	
0	C 30	59.68.0029	100u	EL	6V, 6.3*5.7	0	IC 21	50.62.1595	74HC595	8bit shift/output register	
0	C 31	59.60.3337	100n	CER	50V, 10%, X7R, 0805	0	IC 22	50.62.1595	74HC595	8bit shift/output register	
0	C 32	59.68.0111	22u	EL	35V, 6.3*5.7	0	IC 23	50.62.1138	74HC138	3 to 8 line decoder	
0	C 33	59.68.0111	22u	EL	35V, 6.3*5.7	0	IC 24	1.940.920.20	SW990638	BARGRAPH-PIC A	
0	C 34	59.68.0029	100u	EL	6V, 6.3*5.7					(PIC16C57, 50160301)	
0	C 35	59.60.3337	100n	CER	50V, 10%, X7R, 0805	0	IC 25	50.62.1014	74HC 14	Hex Schmitt trigger inverter	
0	C 36	59.60.3337	100n	CER	50V, 10%, X7R, 0805	0	IC 26	50.61.0207	LF353	Dual Op-Amp JFET SO 8	
0	C 37	59.60.3337	100n	CER	50V, 10%, X7R, 0805	0	IC 27	50.62.1595	74HC595	8bit shift/output register	
0	C 38	59.60.3337	100n	CER	50V, 10%, X7R, 0805	0	IC 28	50.62.1595	74HC595	8bit shift/output register	
0	C 39	59.60.3333	47n	CER	50V, 10%, X7R, 0805	0	IC 29	50.62.1163	74HC163	Synchr preset 4bit counter bin	
0	C 40	59.60.2235	27p	CER	50V, 5%, COG, 0603	0	IC 30	50.62.1595	74HC595	8bit shift/output register	
0	C 41	59.60.3329	22n	CER	50V, 10%, X7R, 0805	0	IC 31	50.62.1595	74HC595	8bit shift/output register	
0	C 42	59.60.2235	27p	CER	50V, 5%, COG, 0603	0	IC 32	50.62.1423	74HC423	Dual multivibr monost retrigg	
0	C 43	59.60.3337	100n	CER	50V, 10%, X7R, 0805	0	IC 33	50.63.2001	7705B	Reset Generator	
0	C 44	59.60.3337	100n	CER	50V, 10%, X7R, 0805	0	IC 34	50.62.1595	74HC595	8bit shift/output register	
0	C 45	59.60.3337	100n	CER	50V, 10%, X7R, 0805	0	IC 35	50.62.1595	74HC595	8bit shift/output register	
0	C 46	59.63.1113	1n0	PPS	50V, 2%, 0805	0	IC 36	50.62.1032	74HC 32	Quad 2input OR	
0	C 47	59.60.3337	100n	CER	50V, 10%, X7R, 0805	0	IC 37	1.940.925.20	SW990638	BARGRAPH-GAL A	
3	C 48	59.68.0065	10u	EL	16V, 4.0*5.7					(PLD16V8, 50180100)	
0	C 49	59.60.3337	100n	CER	50V, 10%, X7R, 0805	0	L 1	62.02.3100	10uH	10%, radial RM 5	
0	C 50	59.60.3337	100n	CER	50V, 10%, X7R, 0805	0	L 2	62.02.3100	10uH	10%, radial RM 5	
0	C 51	59.60.3337	100n	CER	50V, 10%, X7R, 0805	0	MP 1	1.950.635.11	1 pce	BARGRAPH Control PCB	
0	C 52	59.60.3337	100n	CER	50V, 10%, X7R, 0805	0	MP 2	1.950.635.10	1 pce	Nr. Etikette	
0	C 53	59.60.3337	100n	CER	50V, 10%, X7R, 0805	0	MP 3	43.01.0108	1 pce	ESE-WARNschild	
0	C 54	59.60.3337	100n	CER	50V, 10%, X7R, 0805	0	MP 4	54.01.0021	3 pcs	Jumper	
3	C 55	not used	10u	EL	16V, 4.0*5.7	3	MP 5	43.10.0111	1 pce	B	
0	C 56	59.60.2249	100p	CER	50V, 5%, COG, 0603	0	P 1	54.14.5512	12p	PCB-Buchse gerade	
0	C 57	59.60.2249	100p	CER	50V, 5%, COG, 0603	0	P 2	54.14.5510	10p	PCB-Buchse gerade	
0	C 58	59.60.2249	100p	CER	50V, 5%, COG, 0603	0	P 3	54.14.5510	10p	PCB-Buchse gerade	
0	C 59	59.60.2249	100p	CER	50V, 5%, COG, 0603	0	P 4	54.14.2003	26p	1/20" Au, gerade, ohne Verrieg	
0	C 60	59.60.3337	100n	CER	50V, 10%, X7R, 0805	0	P 5	54.14.2003	26p	1/20" Au, gerade, ohne Verrieg	
0	C 61	59.60.3337	100n	CER	50V, 10%, X7R, 0805	0	P 6	54.01.0020	1p	Pin 0.63*0.63	
0	C 62	59.68.0127	1u0	EL	50V, 4.0*5.7	0	P 7	54.01.0020	1p	Pin 0.63*0.63	
0	C 63	59.68.0127	1u0	EL	50V, 4.0*5.7	0	P 8	54.14.2102	16p	P STECKER 16 P,AU,VR,GERADE	
0	D 1	50.60.8001	4448	200mA	75V 4ns SOD 80	0	P 9	54.11.0136	2*3p	Pin 0.63*0.63, RM2.54	
0	D 2	50.04.0138	UF4004	D	BYT 01-400, UF 4004	0	P 10	54.12.0506	6p	P Stecker 6p Power-Pin	
0	D 3	50.04.0138	UF4004	D	BYT 01-400, UF 4004	0	P 11	54.14.2102	16p	P STECKER 16 P,AU,VR,GERADE	
0	D 4	50.04.0138	UF4004	D	BYT 01-400, UF 4004	0	Q 1	50.60.1050	BC807-25	PNP 45V 800mA SOT 23	
0	D 5	50.04.0138	UF4004	D	BYT 01-400, UF 4004	0	Q 2	50.60.1050	BC807-25	PNP 45V 800mA SOT 23	
0	D 6	50.60.8001	4448	200mA	75V 4ns SOD 80	0	Q 3	50.60.0050	BC817-25	NPN 45V 800mA SOT 23	
0	D 7	50.60.8001	4448	200mA	75V 4ns SOD 80	0	Q 4	50.60.0050	BC817-25	NPN 45V 800mA SOT 23	
0	D 8	50.60.8001	4448	200mA	75V 4ns SOD 80	0	Q 5	50.60.2001	J112	JFET N-Channel	
0	D 9	50.60.8001	4448	200mA	75V 4ns SOD 80	0	Q 6	50.60.2001	J112	JFET N-Channel	
0	D 10	50.60.8001	4448	200mA	75V 4ns SOD 80	0	Q 7	50.60.0050	BC817-25	NPN 45V 800mA SOT 23	
0	D 11	50.60.8001	4448	200mA	75V 4ns SOD 80	0	R 1	57.69.1097	10k	CF 5% 0603	
0	D 12	50.60.8001	4448	200mA	75V 4ns SOD 80	0	R 2	57.69.1097	10k	CF 5% 0603	
0	D 13	50.60.8001	4448	200mA	75V 4ns SOD 80	0	R 3	57.69.1097	10k	CF 5% 0603	
0	D 14	50.60.8001	4448	200mA	75V 4ns SOD 80	0	R 4	57.69.1097	10k	CF 5% 0603	
0	D 15	50.60.8001	4448	200mA	75V 4ns SOD 80	0	R 5	57.69.1097	10k	CF 5% 0603	
0	D 16	50.60.8001	4448	200mA	75V 4ns SOD 80	0	R 6	57.69.1097	10k	CF 5% 0603	
0	D 17	50.60.8001	4448	200mA	75V 4ns SOD 80	0	R 7	57.69.1097	10k	CF 5% 0603	
0	D 18	50.60.8001	4448	200mA	75V 4ns SOD 80	0	R 8	57.69.1097	10k	CF 5% 0603	
0	D 19	50.60.8001	4448	200mA	75V 4ns SOD 80	0	R 9	57.69.1097	10k	CF 5% 0603	
0	D 20	50.04.0138	UF4004	D	BYT 01-400, UF 4004						
0	D 21	50.60.8001	4448	200mA	75V 4ns SOD 80						
0	D 22	50.60.8001	4448	200mA	75V 4ns SOD 80						
0	D 23	50.60.8001	4448	200mA	75V 4ns SOD 80						
0	D 24	50.60.8001	4448	200mA	75V 4ns SOD 80						
0	D 25	50.60.8001	4448	200mA	75V 4ns SOD 80						



Bargraph Control I.950.635.20

Idx	Pos.	Part No.	Qty.	Type/Val.	Description	Idx	Pos.	Part No.	Qty.	Type/Val.	Description
0	R 10	57.69.1097		10k	CF 5% 0603	0	R 97	57.92.7013		0.5A	PTC 60V
0	R 11	57.60.1203		20K	MF, 1%, 0204, E24	0	R 98	57.92.7021		0.9A	PTC 60V
0	R 12	57.60.1102		1K	MF, 1%, 0204, E24	0	R 99	57.60.1101		100R	MF, 1%, 0204, E24
0	R 13	57.60.1102		1K	MF, 1%, 0204, E24	0	R 100	57.60.1101		100R	MF, 1%, 0204, E24
0	R 14	57.60.1102		1K	MF, 1%, 0204, E24	0	R 101	57.60.1101		100R	MF, 1%, 0204, E24
0	R 15	57.60.1102		1K	MF, 1%, 0204, E24	0	R 102	57.60.1222		2K2	MF, 1%, 0204, E24
0	R 16	57.69.1097		10k	CF 5% 0603	0	R 103	57.60.1100		10R	MF, 1%, 0204, E24
0	R 17	57.11.3101		100R	MF, 1%, 0207	0	R 104	not used		10k	CF 5% 0603
0	R 18	57.11.3101		100R	MF, 1%, 0207	0	R 105	57.60.1155		1M5	MF, 1%, 0204, E24
0	R 19	57.69.1097		10k	CF 5% 0603	0	RA 1	58.60.0117		5k0	SMD 20%, 0.25W, Cermet
0	R 20	57.69.1097		10k	CF 5% 0603	0	T 1	1.022.638.00			KONVERTERTRAFO ZU VFD BARGRAPH
0	R 21	57.69.1097		10k	CF 5% 0603	0	XIC 6	53.03.2232		32p	PLCC-Socket
0	R 22	57.69.1097		10k	CF 5% 0603	0	XIC 10	53.03.2288		88p	PLCC-Socket
0	R 23	57.69.1097		10k	CF 5% 0603	0	XIC 24	53.03.0173		28p	DIL 0.6", löt, gerade
0	R 24	57.69.1097		10k	CF 5% 0603	0	XIC 37	53.03.0165		20p	DIL 0.3", löt, gerade
0	R 25	57.69.1097		10k	CF 5% 0603	0	XY 2	89.01.1499			QUARZ - ISOLIERPLATTE
0	R 26	57.69.1097		10k	CF 5% 0603	0	Y 1	89.60.1003		12.000MHz	SMD Quartz
0	R 27	not used		10k	CF 5% 0603	0	Y 2	89.01.1007		20.000MHz	XTAL HC 49/U
0	R 28	not used		10k	CF 5% 0603						
0	R 29	not used		10k	CF 5% 0603						
0	R 30	not used		10k	CF 5% 0603						
0	R 31	not used		10k	CF 5% 0603						
0	R 32	not used		10k	CF 5% 0603						
0	R 33	57.60.1221		220R	MF, 1%, 0204, E24						
0	R 34	57.60.1221		220R	MF, 1%, 0204, E24						
0	R 35	57.60.1221		220R	MF, 1%, 0204, E24						
0	R 36	57.60.1221		220R	MF, 1%, 0204, E24						
0	R 37	not used		10k	CF 5% 0603						
0	R 38	not used		10k	CF 5% 0603						
0	R 39	57.69.1097		10k	CF 5% 0603						
0	R 40	57.69.1097		10k	CF 5% 0603						
0	R 41	not used		0R0	MF, 0204						
0	R 42	57.60.1000		0R0	MF, 0204						
0	R 43	57.69.1097		10k	CF 5% 0603						
0	R 44	57.69.1097		10k	CF 5% 0603						
0	R 45	57.69.1097		10k	CF 5% 0603						
0	R 46	57.69.1097		10k	CF 5% 0603						
0	R 47	57.69.1097		10k	CF 5% 0603						
0	R 48	57.69.1097		10k	CF 5% 0603						
0	R 49	57.69.1097		10k	CF 5% 0603						
0	R 50	57.69.1097		10k	CF 5% 0603						
0	R 51	57.60.1101		100R	MF, 1%, 0204, E24						
0	R 52	57.60.1101		100R	MF, 1%, 0204, E24						
0	R 53	57.60.1103		10K	MF, 1%, 0204, E24						
0	R 54	57.69.1097		10k	CF 5% 0603						
1	R 55	57.69.1121		100k	CF 5% 0603						
1	R 56	57.69.1121		100k	CF 5% 0603						
1	R 57	57.69.1121		100k	CF 5% 0603						
0	R 58	57.69.1097		10k	CF 5% 0603						
0	R 59	57.69.1097		10k	CF 5% 0603						
0	R 60	57.69.1097		10k	CF 5% 0603						
0	R 61	57.69.1097		10k	CF 5% 0603						
0	R 62	57.60.1103		10K	MF, 1%, 0204, E24						
0	R 63	57.60.1103		10K	MF, 1%, 0204, E24						
0	R 64	57.60.1562		5K6	MF, 1%, 0204, E24						
0	R 65	57.60.1101		100R	MF, 1%, 0204, E24						
0	R 66	57.60.1101		100R	MF, 1%, 0204, E24						
0	R 67	57.60.1101		100R	MF, 1%, 0204, E24						
0	R 68	57.60.1101		100R	MF, 1%, 0204, E24						
0	R 69	57.60.1221		220R	MF, 1%, 0204, E24						
0	R 70	57.60.1821		820R	MF, 1%, 0204, E24						
0	R 71	57.60.1222		2K2	MF, 1%, 0204, E24						
0	R 72	57.60.1103		10K	MF, 1%, 0204, E24						
0	R 73	57.60.1103		10K	MF, 1%, 0204, E24						
2	R 74	57.60.1101		100R	MF, 1%, 0204, E24						
0	R 75	57.60.1103		10K	MF, 1%, 0204, E24						
2	R 76	57.60.1221		220R	MF, 1%, 0204, E24						
0	R 77	57.60.1222		2K2	MF, 1%, 0204, E24						
0	R 78	57.60.1222		2K2	MF, 1%, 0204, E24						
0	R 79	57.60.1101		100R	MF, 1%, 0204, E24						
0	R 80	57.60.1473		47K	MF, 1%, 0204, E24						
1	R 81	57.60.1221		220R	MF, 1%, 0204, E24						
0	R 82	57.60.1332		3K3	MF, 1%, 0204, E24						
0	R 83	57.60.1104		100K	MF, 1%, 0204, E24						
1	R 84	57.60.1102		1K	MF, 1%, 0204, E24						
0	R 85	57.60.1103		10K	MF, 1%, 0204, E24						
0	R 86	57.60.1222		2K2	MF, 1%, 0204, E24						
0	R 87	57.60.1222		2K2	MF, 1%, 0204, E24						
0	R 88	57.60.1103		10K	MF, 1%, 0204, E24						
0	R 89	57.60.1103		10K	MF, 1%, 0204, E24						
0	R 90	57.60.1221		220R	MF, 1%, 0204, E24						
0	R 91	57.60.1221		220R	MF, 1%, 0204, E24						
0	R 92	57.60.1221		220R	MF, 1%, 0204, E24						
0	R 93	57.60.1221		220R	MF, 1%, 0204, E24						
0	R 94	57.60.1103		10K	MF, 1%, 0204, E24						
0	R 95	57.60.1103		10K	MF, 1%, 0204, E24						
0	R 96	57.92.7013		0.5A	PTC 60V						

End of List

Comments

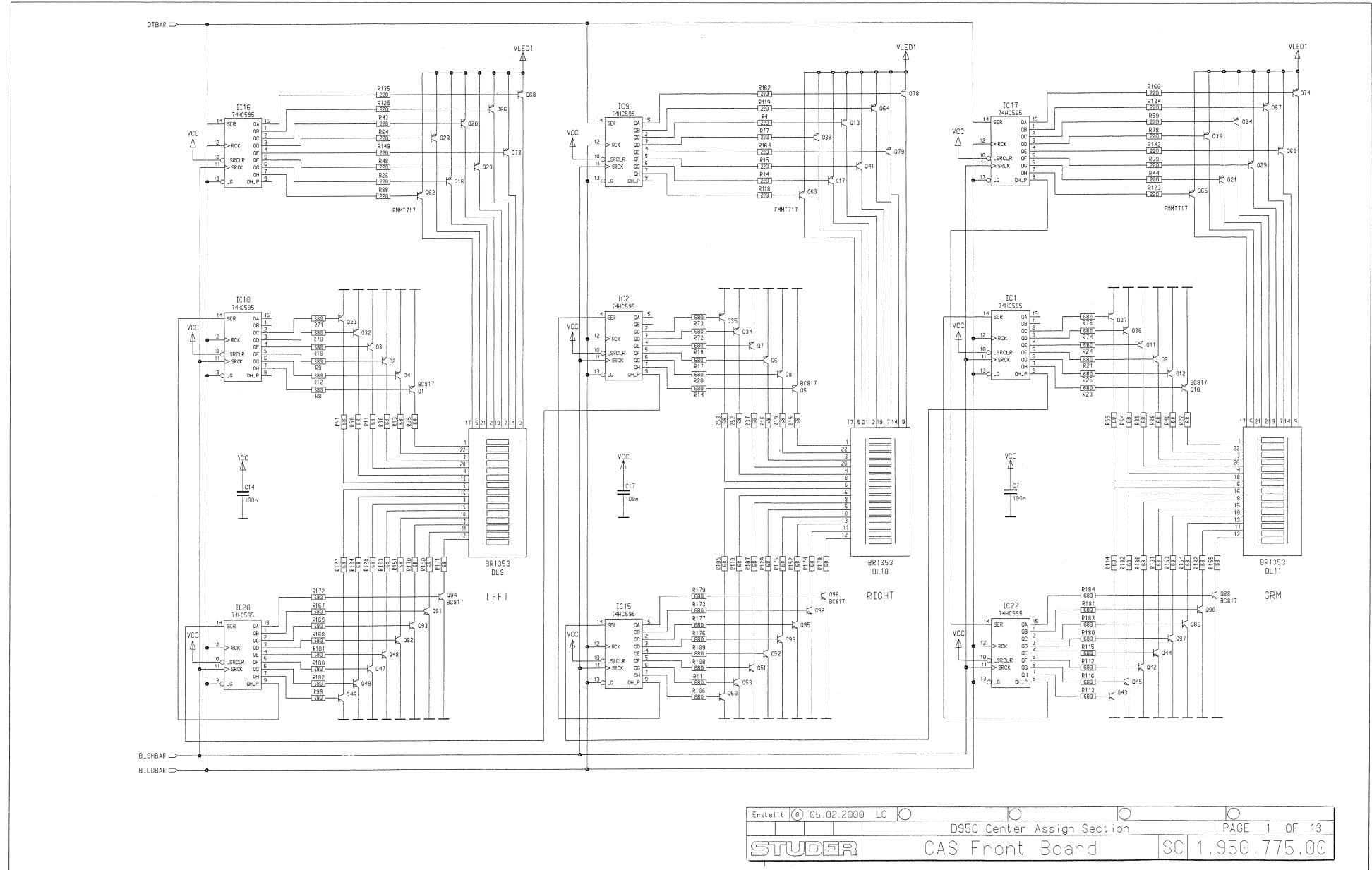
- (01) Value modification: R55,R56,R57,R81,R84
 (02) Value modification: R74,R76
 (03) C48: 1uF->10uF; C55->not used

SCHEMATA / CIRCUIT DIAGRAMS

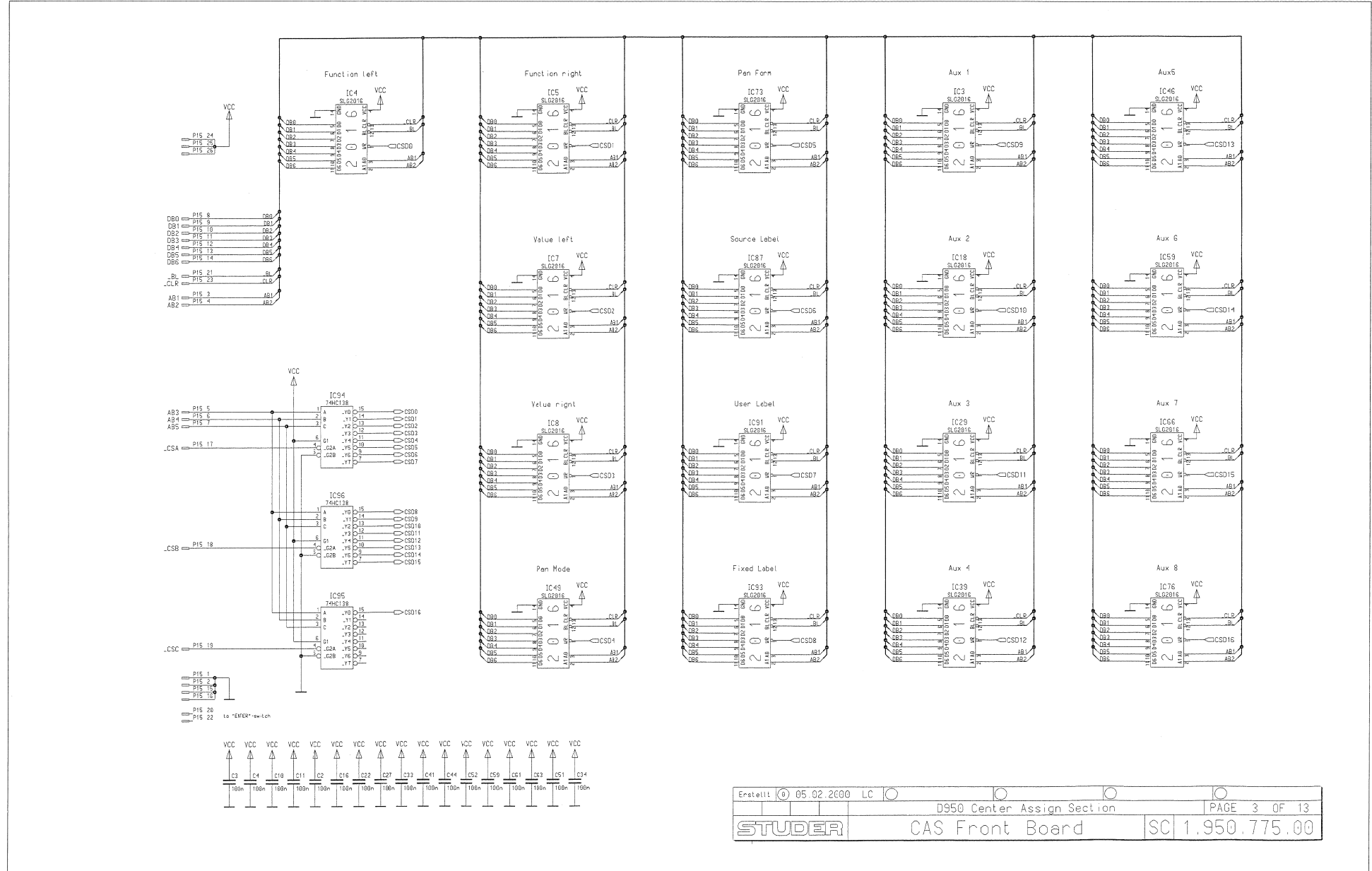
Central Control Units

CAS Front Board	1.950.775.00
CAS Controller Board	1.950.771.20
Automation Control Unit	1.940.820.00
- Automation Control Unit Switchboard	1.940.818.00
- SERDAT Interface Board	1.990.812.00
Automation Master Panel	1.950.820.00
- Automation Control Panel	1.950.818.00
- SERDAT Interface Board (see 1.940.820.00 above)	
Central Assign Unit	1.950.815.00
- CAU Front Board	1.950.826.00
- SERDAT Interface Board (see 1.940.820.00 above)	
Joystick Module	1.950.720.20
- Channel Controller Board	1.940.756.21
- Joystick Front Board	1.950.721.00
- Joystick Driver Board	1.950.722.00
- Joystick Complete	1.950.723.00
- Motorised Joystick	1.950.723.01
Source Selector Unit	1.990.490.00
<i>(used for: Master Menu Selector, Bank Selector, Source Selector Unit)</i>	
- Source Selector Board	1.990.498.00
- Source Selector Switch Board	1.990.499.00
Function Keyboard and Trackball	1.950.731.20
TFT Display Panel	1.950.840.00
Module Processor Board	1.950.189.20

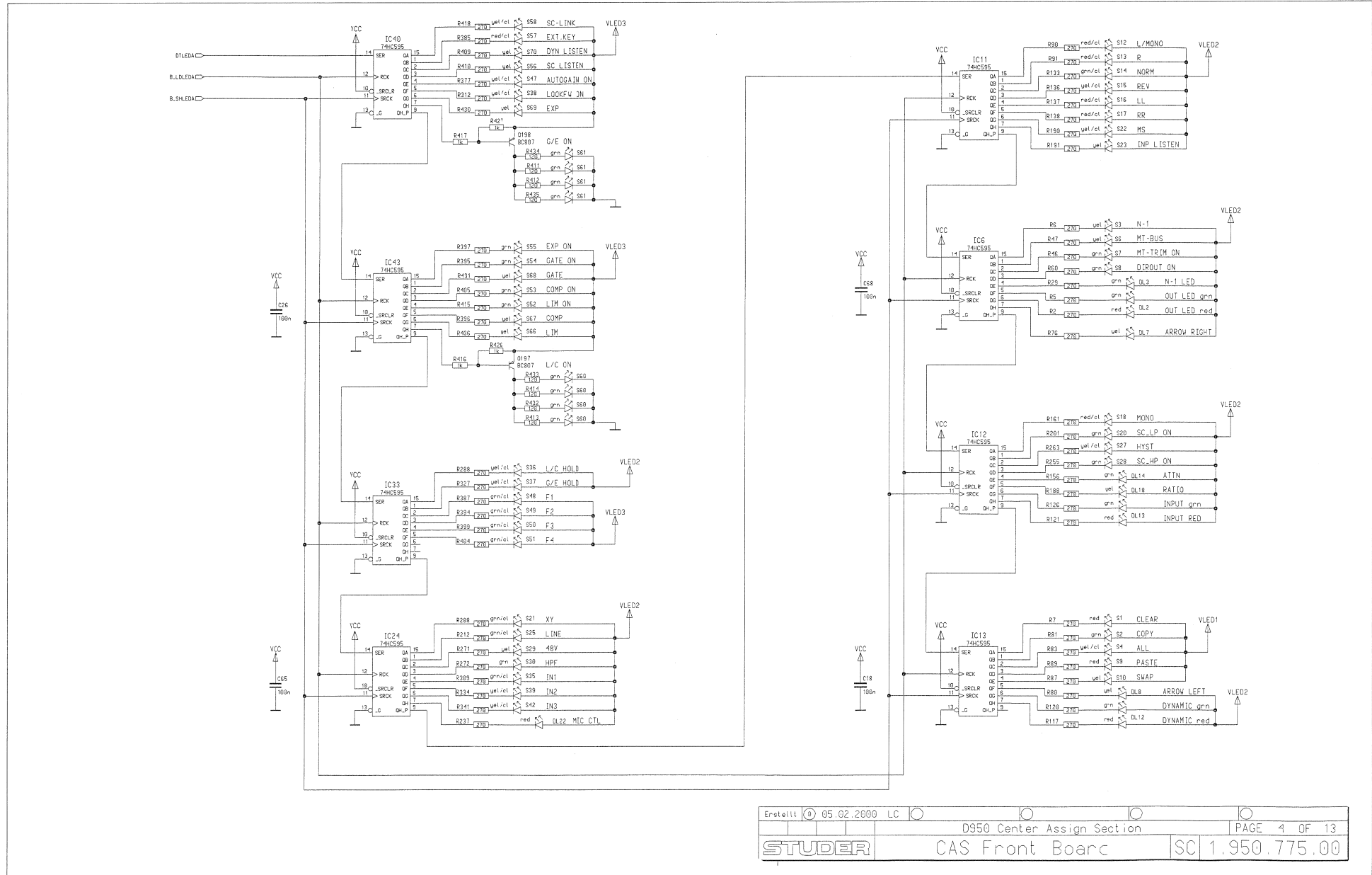
CAS Front Board 1.950.775.00



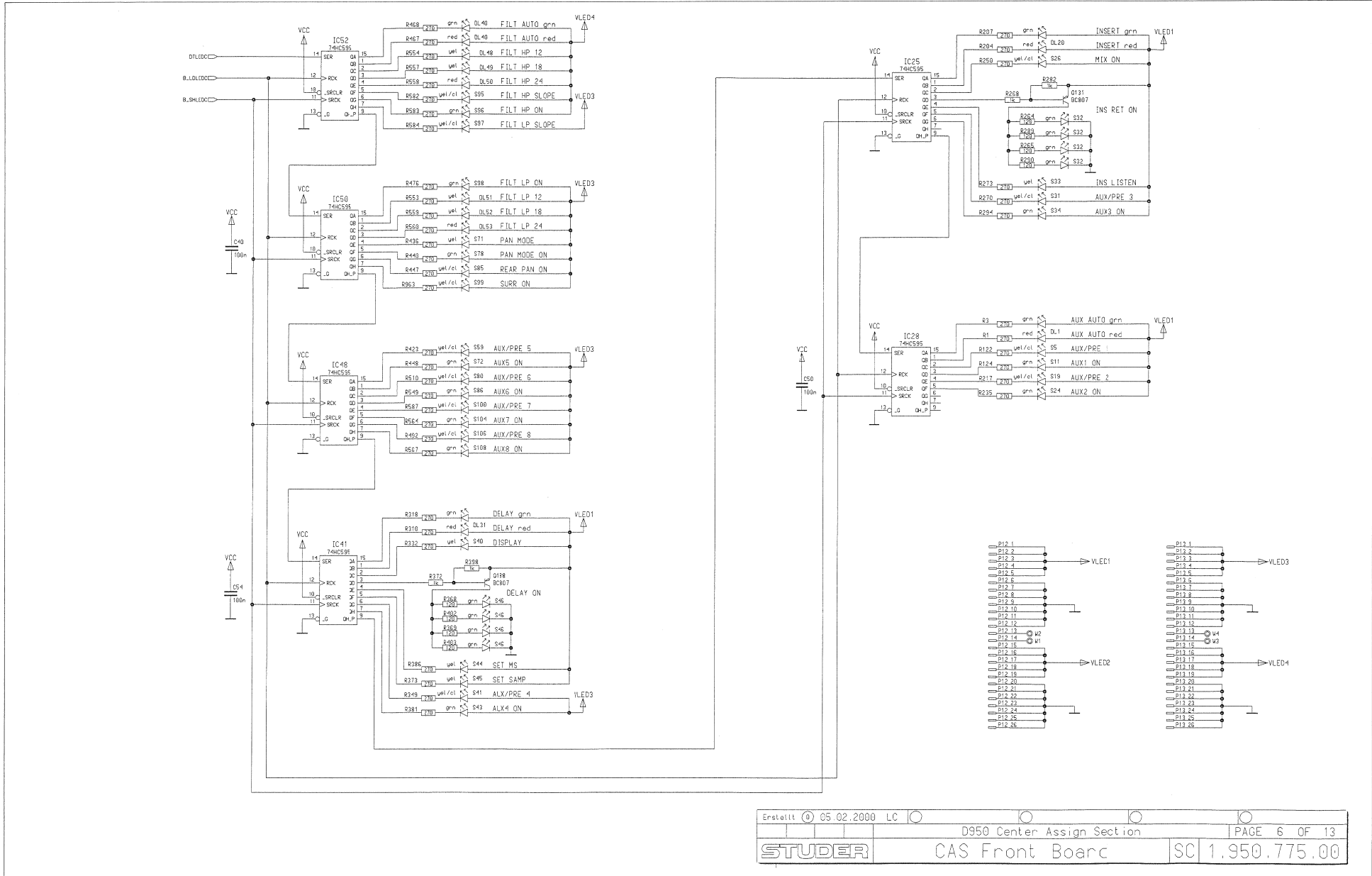
CAS Front Board 1.950.775.00



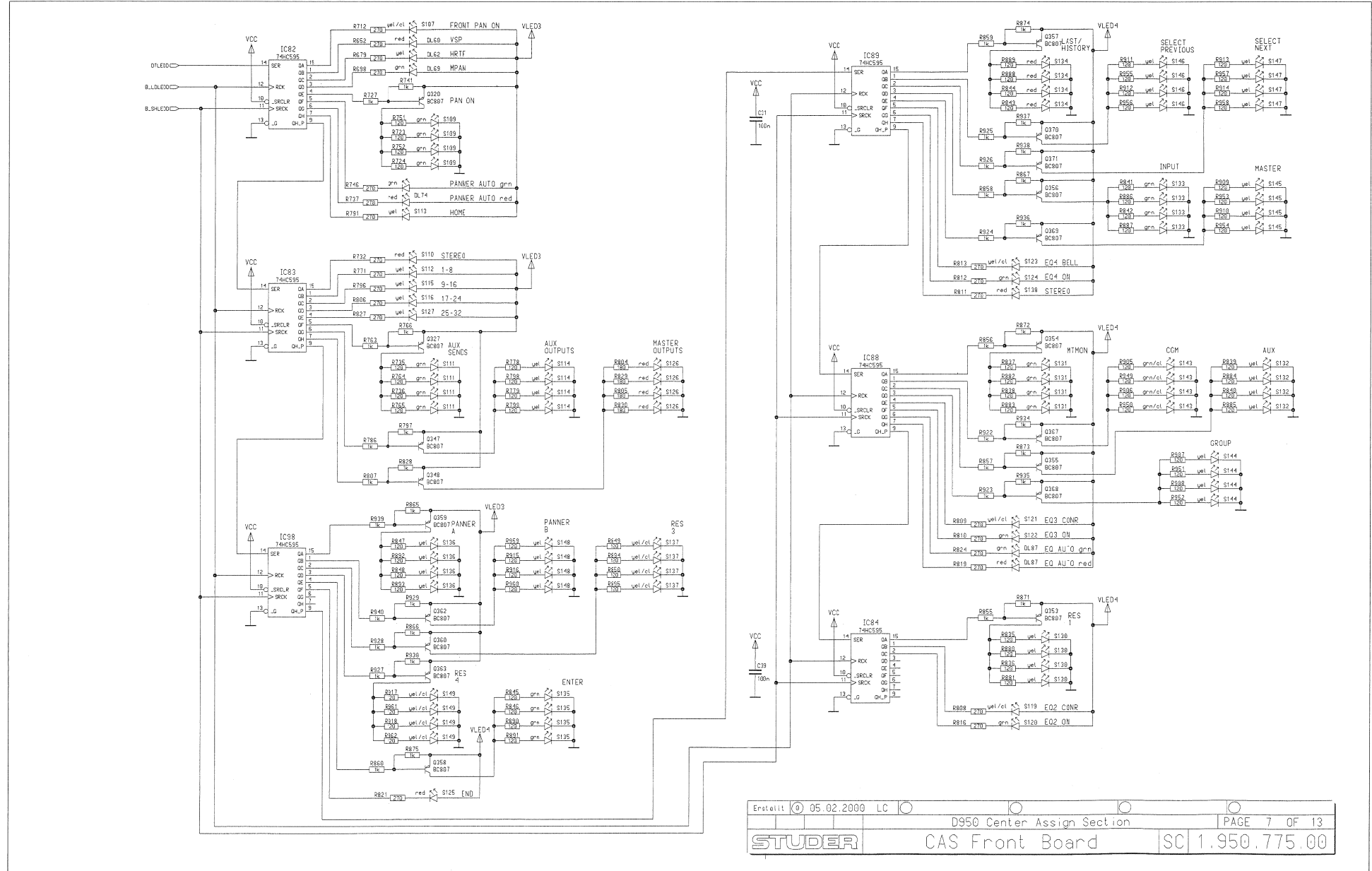
CAS Front Board 1.950.775.00



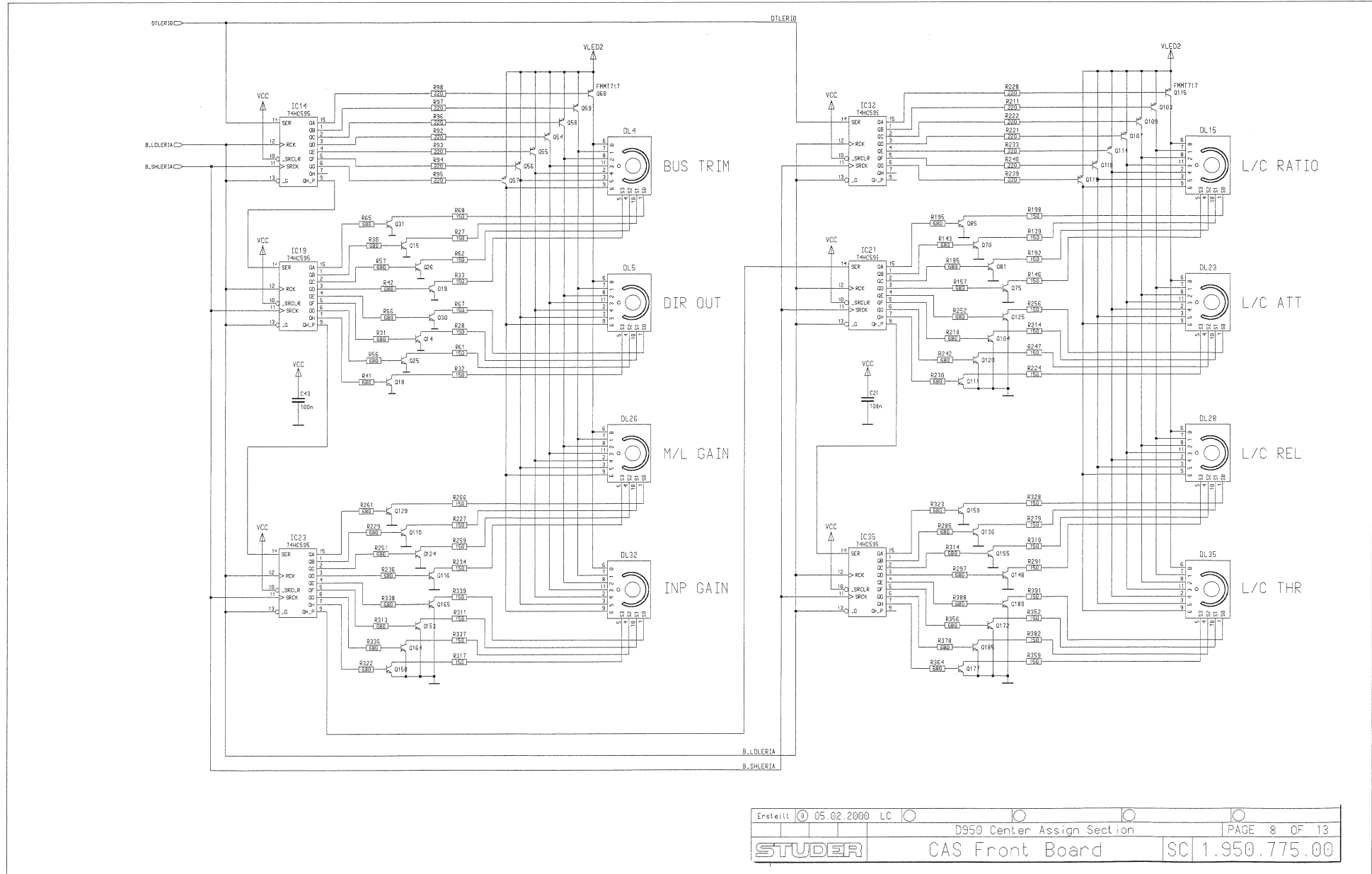
CAS Front Board 1.950.775.00



CAS Front Board 1.950.775.00

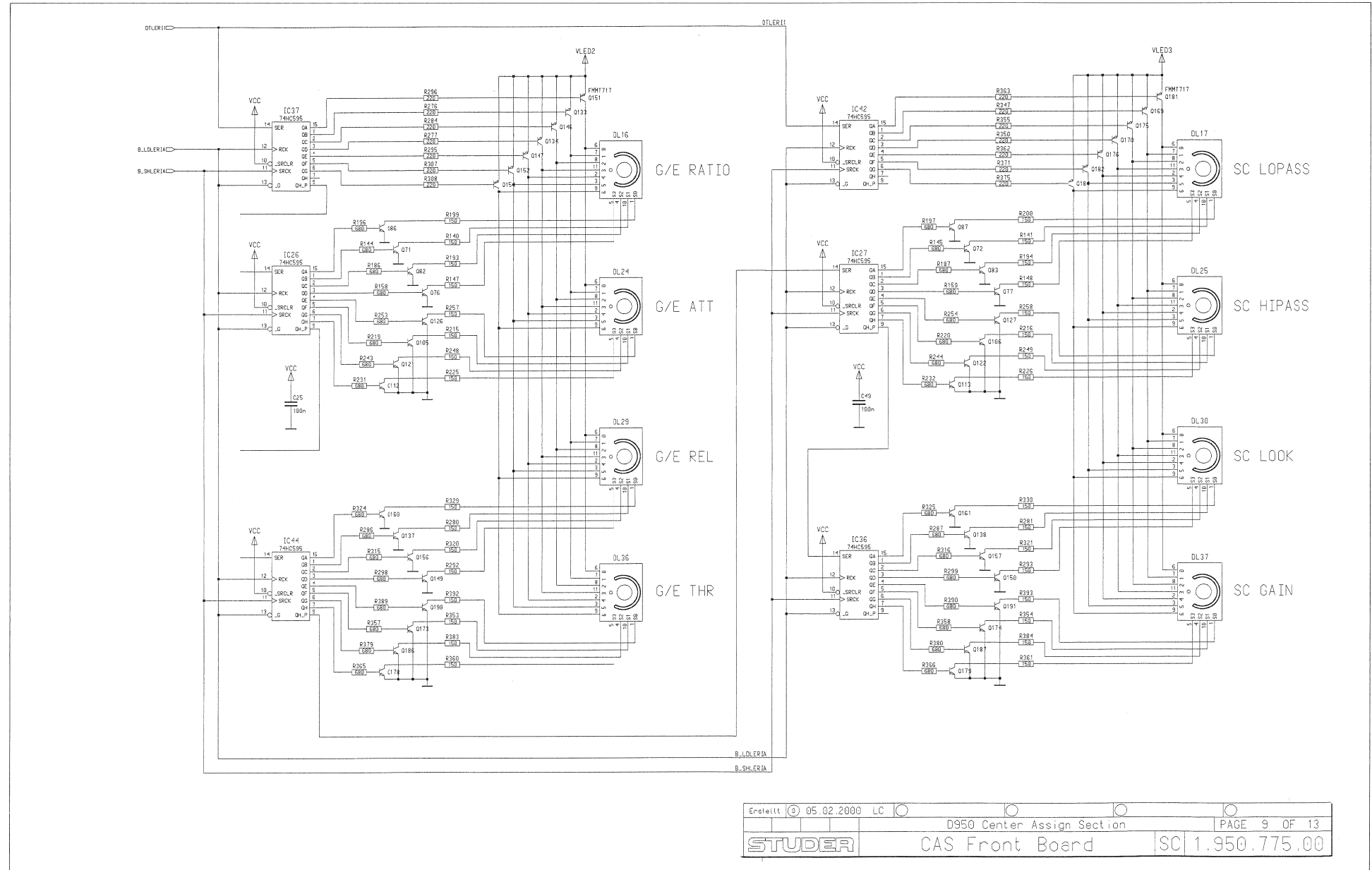


CAS Front Board 1.950.775.00



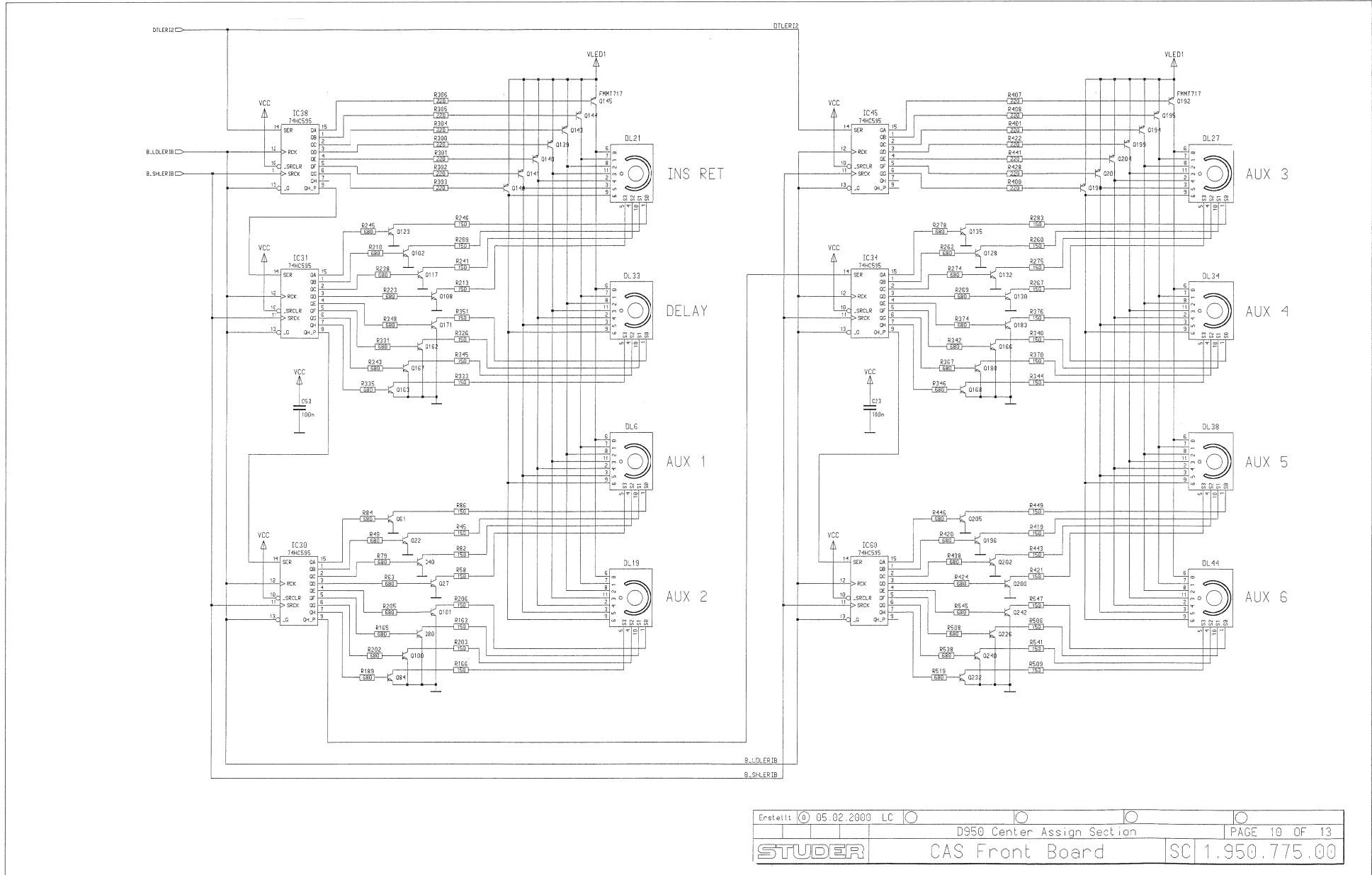
Erstellt	05.02.2000	LC				
D950 Center Assign Section				PAGE 8 OF 13		
STUDER		CAS Front Board			SC 1.950.775.00	

CAS Front Board 1.950.775.00

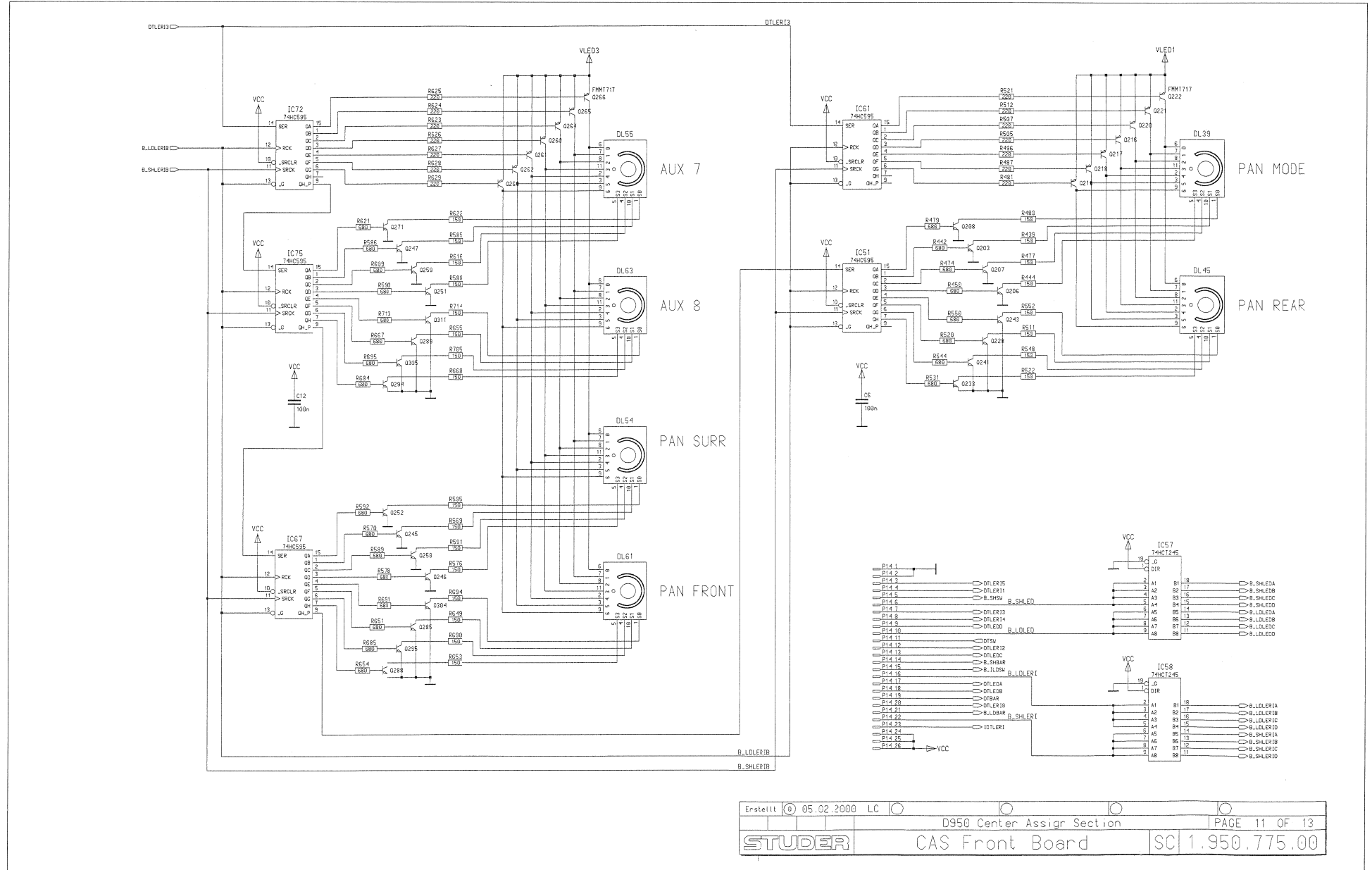


Erstellt 05.02.2000	LC				
D950 Center Assign Section				PAGE 9 OF 13	
STUDER		CAS Front Board		SC 1.950.775.00	

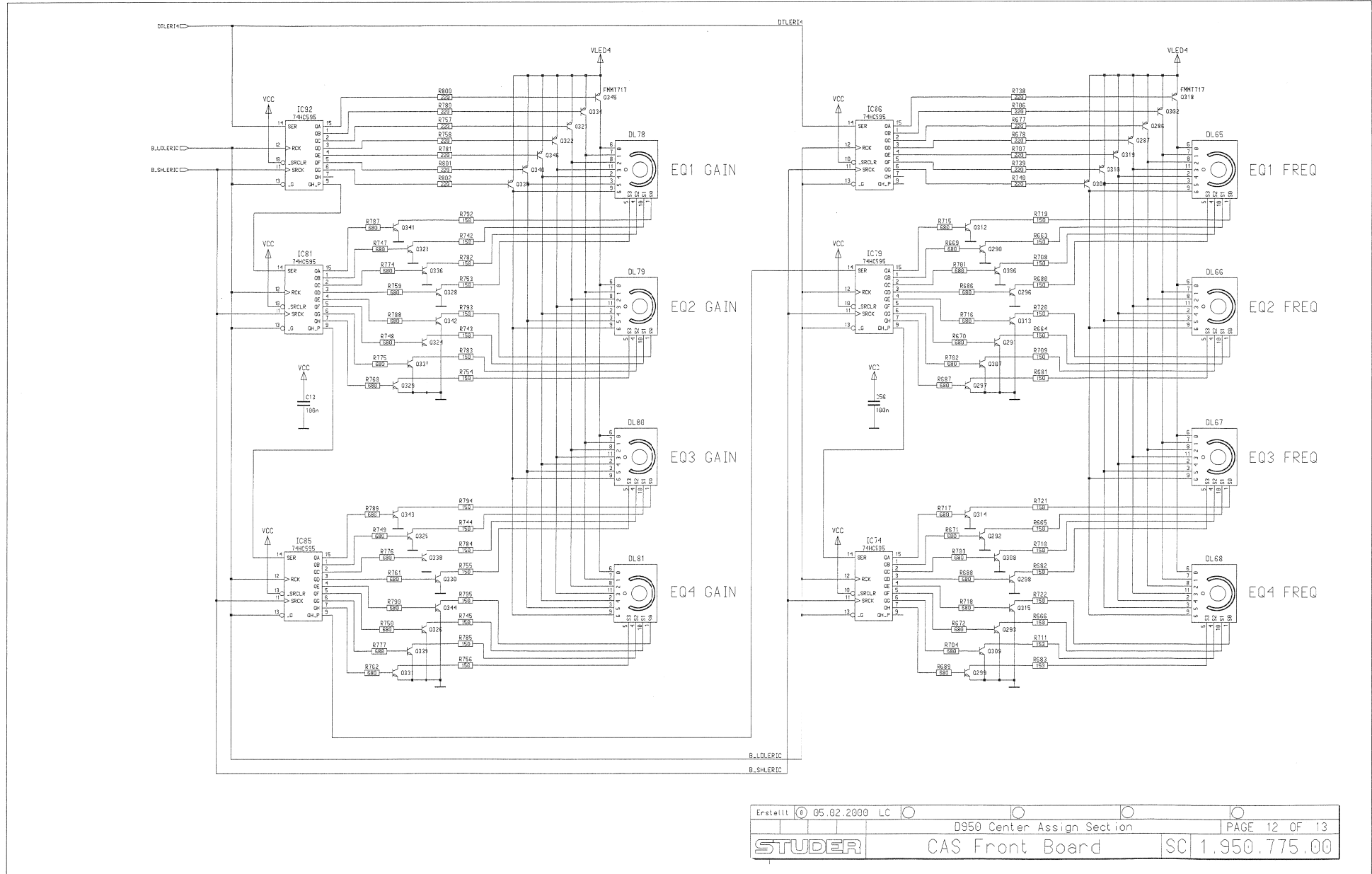
CAS Front Board 1.950.775.00



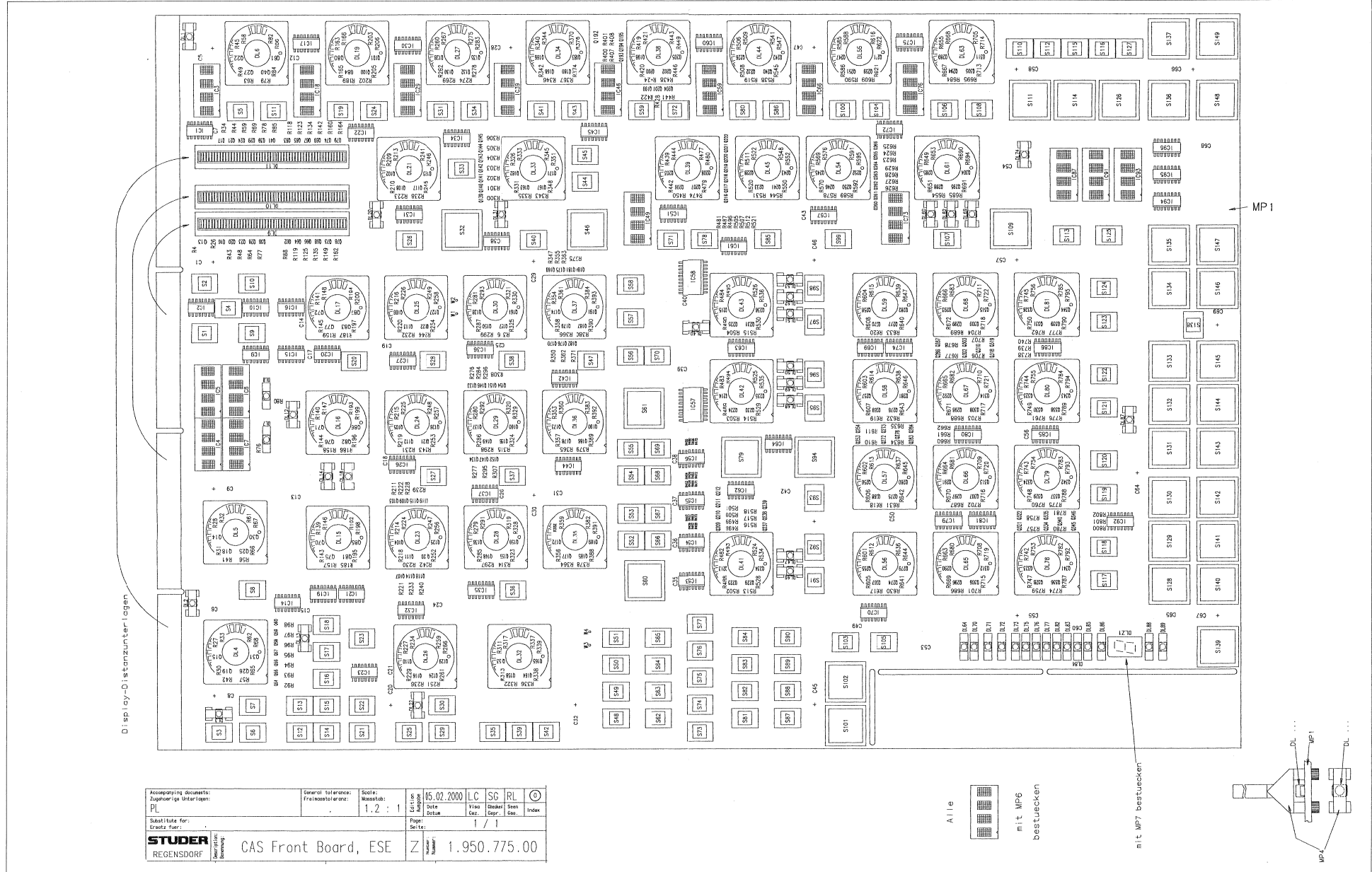
CAS Front Board 1.950.775.00



CAS Front Board 1.950.775.00



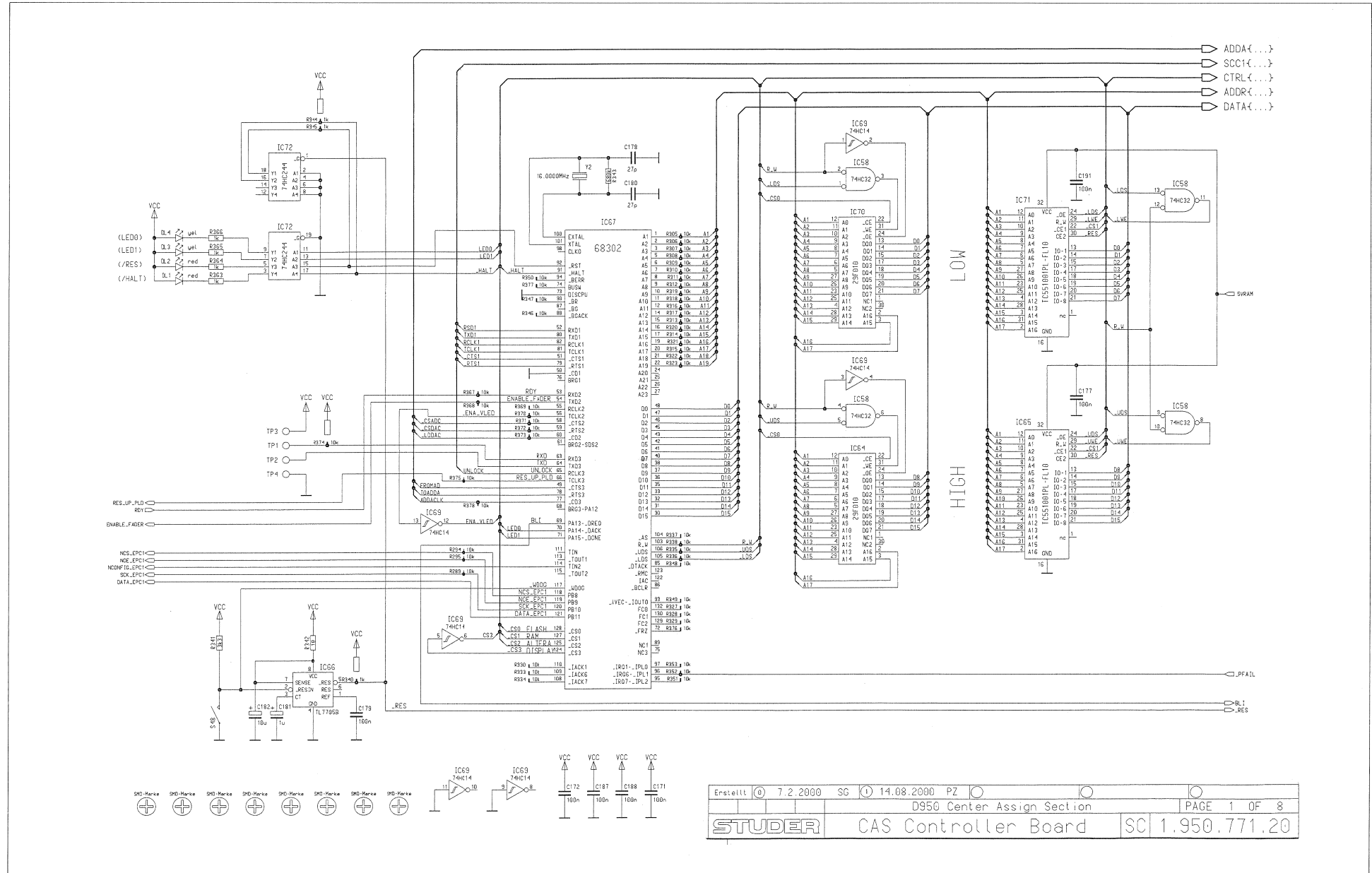
CAS Front Board 1.950.775.00



CAS Front Board 1.950.775.00

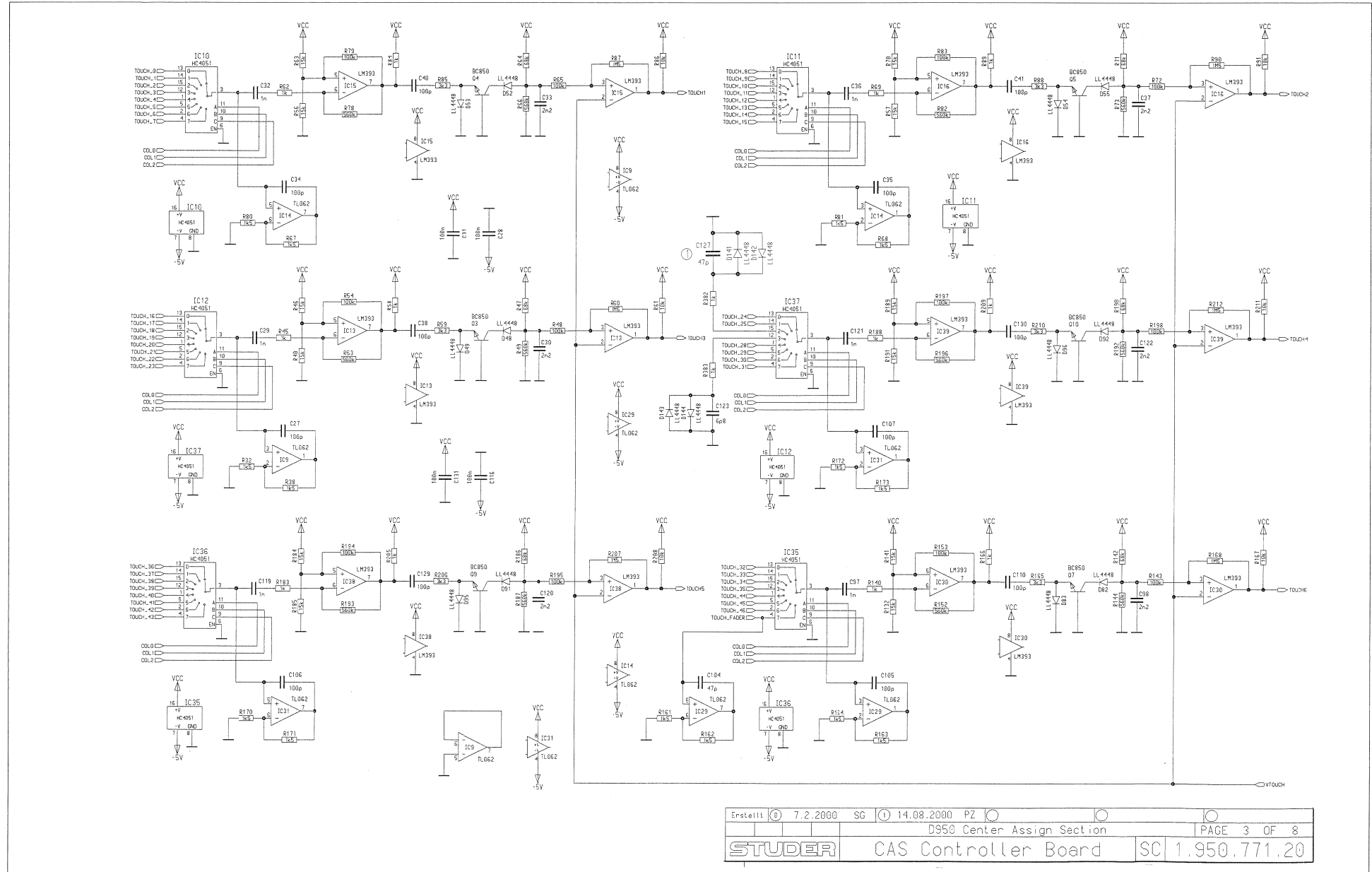
Idx	Pos.	Part No.	Qty.	Type/Val.	Description	Idx	Pos.	Part No.	Qty.	Type/Val.	Description	Idx	Pos.	Part No.	Qty.	Type/Val.	Description	
0	IC 20	50.62.1595	1	pcbe	74HC595	8bit shift/output register	0	MP 3	43.01.0108	Label	ESE-WARNschild	0	Q 73	50.60.1101	1	pcbe	FMMT717	
0	IC 21	50.62.1595	1	pcbe	74HC595	8bit shift/output register	0	MP 4	50.60.9411	24 pcs	d3	Lichtleiter für LED	0	Q 74	50.60.1101	1	pcbe	FMMT717
0	IC 22	50.62.1595	1	pcbe	74HC595	8bit shift/output register	0	MP 5	50.60.9416	17 pcs	3.7*7.12	Lichtleiter für LED rechteckig	0	Q 75	50.60.0050	1	pcbe	BC817-25
0	IC 23	50.62.1595	1	pcbe	74HC595	8bit shift/output register	0	MP 6	53.03.0187	17 pcs	14p	DIL 0.3", löt. H=6	0	Q 76	50.60.0050	1	pcbe	BC817-25
0	IC 24	50.62.1595	1	pcbe	74HC595	8bit shift/output register	0	MP 7	53.03.0186	10p	10p	DIL 0.2", löt. H=6	0	Q 77	50.60.0050	1	pcbe	BC817-25
0	IC 25	50.62.1595	1	pcbe	74HC595	8bit shift/output register	0	P 12	54.14.4226	25p	1/20" Au, gerade, Actionpin		0	Q 78	50.60.1101	1	pcbe	FMMT717
0	IC 26	50.62.1595	1	pcbe	74HC595	8bit shift/output register	0	P 13	54.14.4226	25p	1/20" Au, gerade, Actionpin		0	Q 79	50.60.1101	1	pcbe	FMMT717
0	IC 27	50.62.1595	1	pcbe	74HC595	8bit shift/output register	0	P 14	54.14.4226	25p	1/20" Au, gerade, Actionpin		0	Q 80	50.60.0050	1	pcbe	BC817-25
0	IC 28	50.62.1595	1	pcbe	74HC595	8bit shift/output register	0	P 15	54.14.4226	26p	1/20" Au, gerade, Actionpin		0	Q 81	50.60.0050	1	pcbe	BC817-25
0	IC 29	73.01.0408	1	pcbe	4digit	5*7 Dot matrix display green	0	Q 1	50.60.0050	1	pcbe	BC817-25	0	Q 82	50.60.0050	1	pcbe	BC817-25
0	IC 30	50.62.1595	1	pcbe	74HC595	8bit shift/output register	0	Q 2	50.60.0050	1	pcbe	BC817-25	0	Q 83	50.60.0050	1	pcbe	BC817-25
0	IC 31	50.62.1595	1	pcbe	74HC595	8bit shift/output register	0	Q 3	50.60.0050	1	pcbe	BC817-25	0	Q 84	50.60.0050	1	pcbe	BC817-25
0	IC 32	50.62.1595	1	pcbe	74HC595	8bit shift/output register	0	Q 4	50.60.0050	1	pcbe	BC817-25	0	Q 85	50.60.0050	1	pcbe	BC817-25
0	IC 33	50.62.1595	1	pcbe	74HC595	8bit shift/output register	0	Q 5	50.60.0050	1	pcbe	BC817-25	0	Q 86	50.60.0050	1	pcbe	BC817-25
0	IC 34	50.62.1595	1	pcbe	74HC595	8bit shift/output register	0	Q 6	50.60.0050	1	pcbe	BC817-25	0	Q 87	50.60.0050	1	pcbe	BC817-25
0	IC 35	50.62.1595	1	pcbe	74HC595	8bit shift/output register	0	Q 7	50.60.0050	1	pcbe	BC817-25	0	Q 88	50.60.0050	1	pcbe	BC817-25
0	IC 36	50.62.1595	1	pcbe	74HC595	8bit shift/output register	0	Q 8	50.60.0050	1	pcbe	BC817-25	0	Q 89	50.60.0050	1	pcbe	BC817-25
0	IC 37	50.62.1595	1	pcbe	74HC595	8bit shift/output register	0	Q 9	50.60.0050	1	pcbe	BC817-25	0	Q 90	50.60.0050	1	pcbe	BC817-25
0	IC 38	50.62.1595	1	pcbe	74HC595	8bit shift/output register	0	Q 10	50.60.0050	1	pcbe	BC817-25	0	Q 91	50.60.0050	1	pcbe	BC817-25
0	IC 39	73.01.0408	1	pcbe	4digit	5*7 Dot matrix display green	0	Q 11	50.60.0050	1	pcbe	BC817-25	0	Q 92	50.60.0050	1	pcbe	BC817-25
0	IC 40	50.62.1595	1	pcbe	74HC595	8bit shift/output register	0	Q 12	50.60.0050	1	pcbe	BC817-25	0	Q 93	50.60.0050	1	pcbe	BC817-25
0	IC 41	50.62.1595	1	pcbe	74HC595	8bit shift/output register	0	Q 13	50.60.1101	1	pcbe	FMMT717	0	Q 94	50.60.0050	1	pcbe	BC817-25
0	IC 42	50.62.1595	1	pcbe	74HC595	8bit shift/output register	0	Q 14	50.60.0050	1	pcbe	BC817-25	0	Q 95	50.60.0050	1	pcbe	BC817-25
0	IC 43	50.62.1595	1	pcbe	74HC595	8bit shift/output register	0	Q 15	50.60.0050	1	pcbe	BC817-25	0	Q 96	50.60.0050	1	pcbe	BC817-25
0	IC 44	50.62.1595	1	pcbe	74HC595	8bit shift/output register	0	Q 16	50.60.1101	1	pcbe	FMMT717	0	Q 97	50.60.0050	1	pcbe	BC817-25
0	IC 45	50.62.1595	1	pcbe	74HC595	8bit shift/output register	0	Q 17	50.60.1101	1	pcbe	FMMT717	0	Q 98	50.60.0050	1	pcbe	BC817-25
0	IC 46	73.01.0408	1	pcbe	4digit	5*7 Dot matrix display green	0	Q 18	50.60.0050	1	pcbe	BC817-25	0	Q 99	50.60.0050	1	pcbe	BC817-25
0	IC 47	50.62.1595	1	pcbe	74HC595	8bit shift/output register	0	Q 19	50.60.0050	1	pcbe	BC817-25	0	Q 100	50.60.0050	1	pcbe	BC817-25
0	IC 48	50.62.1595	1	pcbe	74HC595	8bit shift/output register	0	Q 20	50.60.1101	1	pcbe	FMMT717	0	Q 101	50.60.0050	1	pcbe	BC817-25
0	IC 49	73.01.0408	1	pcbe	4digit	5*7 Dot matrix display green	0	Q 21	50.60.1101	1	pcbe	FMMT717	0	Q 102	50.60.0050	1	pcbe	BC817-25
0	IC 50	50.62.1595	1	pcbe	74HC595	8bit shift/output register	0	Q 22	50.60.0050	1	pcbe	BC817-25	0	Q 103	50.60.1101	1	pcbe	FMMT717
0	IC 51	50.62.1595	1	pcbe	74HC595	8bit shift/output register	0	Q 23	50.60.1101	1	pcbe	FMMT717	0	Q 104	50.60.0050	1	pcbe	BC817-25
0	IC 52	50.62.1595	1	pcbe	74HC595	8bit shift/output register	0	Q 24	50.60.1101	1	pcbe	FMMT717	0	Q 105	50.60.0050	1	pcbe	BC817-25
0	IC 53	50.62.1595	1	pcbe	74HC595	8bit shift/output register	0	Q 25	50.60.0050	1	pcbe	BC817-25	0	Q 106	50.60.0050	1	pcbe	BC817-25
0	IC 54	50.62.1165	1	pcbe	74HC165	8bit shift register	0	Q 26	50.60.0050	1	pcbe	BC817-25	0	Q 107	50.60.1101	1	pcbe	FMMT717
0	IC 55	50.62.1165	1	pcbe	74HC165	8bit shift register	0	Q 27	50.60.0050	1	pcbe	BC817-25	0	Q 108	50.60.0050	1	pcbe	BC817-25
0	IC 56	50.62.1165	1	pcbe	74HC165	8bit shift register	0	Q 28	50.60.1101	1	pcbe	FMMT717	0	Q 109	50.60.1101	1	pcbe	FMMT717
0	IC 57	50.62.3245	1	pcbe	74HC7245	Octal bus transceiver	0	Q 29	50.60.1101	1	pcbe	FMMT717	0	Q 110	50.60.0050	1	pcbe	BC817-25
0	IC 58	50.62.3245	1	pcbe	74HC7245	Octal bus transceiver	0	Q 30	50.60.0050	1	pcbe	BC817-25	0	Q 111	50.60.0050	1	pcbe	BC817-25
0	IC 59	73.01.0408	1	pcbe	4digit	5*7 Dot matrix display green	0	Q 31	50.60.0050	1	pcbe	BC817-25	0	Q 112	50.60.0050	1	pcbe	BC817-25
0	IC 60	50.62.1595	1	pcbe	74HC595	8bit shift/output register	0	Q 32	50.60.0050	1	pcbe	BC817-25	0	Q 113	50.60.0050	1	pcbe	BC817-25
0	IC 61	50.62.1595	1	pcbe	74HC595	8bit shift/output register	0	Q 33	50.60.0050	1	pcbe	BC817-25	0	Q 114	50.60.1101	1	pcbe	FMMT717
0	IC 62	50.62.1595	1	pcbe	74HC595	8bit shift/output register	0	Q 34	50.60.0050	1	pcbe	BC817-25	0	Q 115	50.60.1101	1	pcbe	FMMT717
0	IC 63	50.62.1595	1	pcbe	74HC595	8bit shift/output register	0	Q 35	50.60.0050	1	pcbe	BC817-25	0	Q 116	50.60.0050	1	pcbe	BC817-25
0	IC 64	50.62.1595	1	pcbe	74HC595	8bit shift/output register	0	Q 36	50.60.0050	1	pcbe	BC817-25	0	Q 117	50.60.0050	1	pcbe	BC817-25
0	IC 65	50.62.1595	1	pcbe	74HC595	8bit shift/output register	0	Q 37	50.60.0050	1	pcbe	BC817-25	0	Q 118	50.60.1101	1	pcbe	FMMT717
0	IC 66	73.01.0408	1	pcbe	4digit	5*7 Dot matrix display green	0	Q 38	50.60.1101	1	pcbe	FMMT717	0	Q 119	50.60.1101	1	pcbe	FMMT717
0	IC 67	50.62.1595	1	pcbe	74HC595	8bit shift/output register	0	Q 39	50.60.1101	1	pcbe	FMMT717	0	Q 120	50.60.0050	1	pcbe	BC817-25
0	IC 68	50.62.1595	1	pcbe	74HC595	8bit shift/output register	0	Q 40	50.60.0050	1	pcbe	BC817-25	0	Q 121	50.60.0050	1	pcbe	BC817-25
0	IC 69	50.62.1595	1	pcbe	74HC595	8bit shift/output register	0	Q 41	50.60.0050	1	pcbe	BC817-25	0	Q 122	50.60.0050	1	pcbe	BC817-25
0	IC 70	50.62.1595	1	pcbe	74HC595	8bit shift/output register	0	Q 42	50.60.0050	1	pcbe	BC817-25	0	Q 123	50.60.0050	1	pcbe	BC817-25
0	IC 71	50.62.1595	1	pcbe	74HC595	8bit shift/output register	0	Q 43	50.60.0050	1	pcbe	BC817-25	0	Q 124	50.60.0050	1	pcbe	BC817-25
0	IC 72	50.62.1595	1	pcbe	74HC595	8bit shift/output register	0	Q 44	50.60.0050	1	pcbe	BC817-25	0	Q 125	50.60.0050	1	pcbe	BC817-25
0	IC 73	73.01.0408	1	pcbe	4digit	5*7 Dot matrix display green	0	Q 45	50.60.0050	1	pcbe	BC817-25	0	Q 126	50.60.0050	1	pcbe	BC817-25
0	IC 74	50.62.1595	1	pcbe	74HC595	8bit shift/output register	0	Q 46	50.60.0050	1	pcbe	BC817-25	0	Q 127	50.60.0050	1	pcbe	BC817-25
0	IC 75	50.62.1595	1	pcbe	74HC595	8bit shift/output register	0	Q 47	50.60.0050	1	pcbe	BC817-25	0	Q 128	50.60.0050	1	pcbe	BC817-25
0	IC 76	73.01.0408	1	pcbe	4digit	5*7 Dot matrix display green	0	Q 48	50.60.0050	1	pcbe	BC817-25	0	Q 129	50.60.0050	1	pcbe	BC817-25
0	IC 77	50.62.1595	1	pcbe	74HC595	8bit shift/output register	0	Q 49	50.60.0050	1	pcbe	BC817-25	0	Q 130	50.60.0050	1	pcbe	BC817-25
0	IC 78	50.62.1595	1	pcbe	74HC595	8bit shift/output register	0	Q 50	50.60.0050	1	pcbe	BC817-25	0	Q 131	50.60.1020	1	pcbe	BC807-25
0	IC 79	50.62.1595	1	pcbe	74HC595	8bit shift/output register	0	Q 51	50.60.0050	1	pcbe	BC817-25	0	Q 132	50.60.0050	1	pcbe	BC817-25
0	IC 80	50.62.1595	1	pcbe	74HC595	8bit shift/output register	0	Q 52										

CAS Controller Board 1.950.771.20



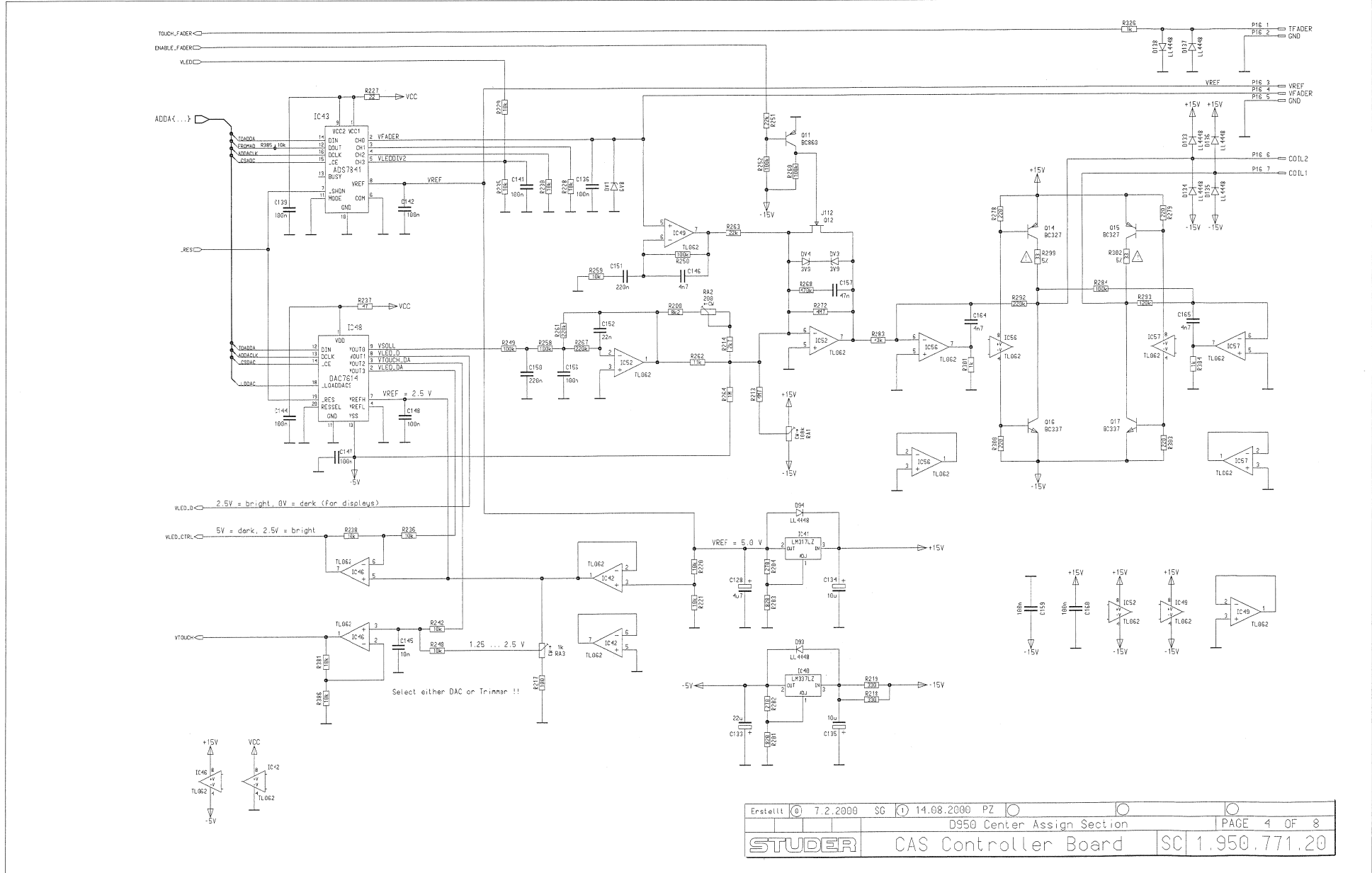
Erstellt	07.2.2000	SG	14.08.2000	PZ				
D950 Center Assign Section							PAGE 1 OF 8	
STUDER		CAS Controller Board				SC 1.950.771.20		

CAS Controller Board 1.950.771.20

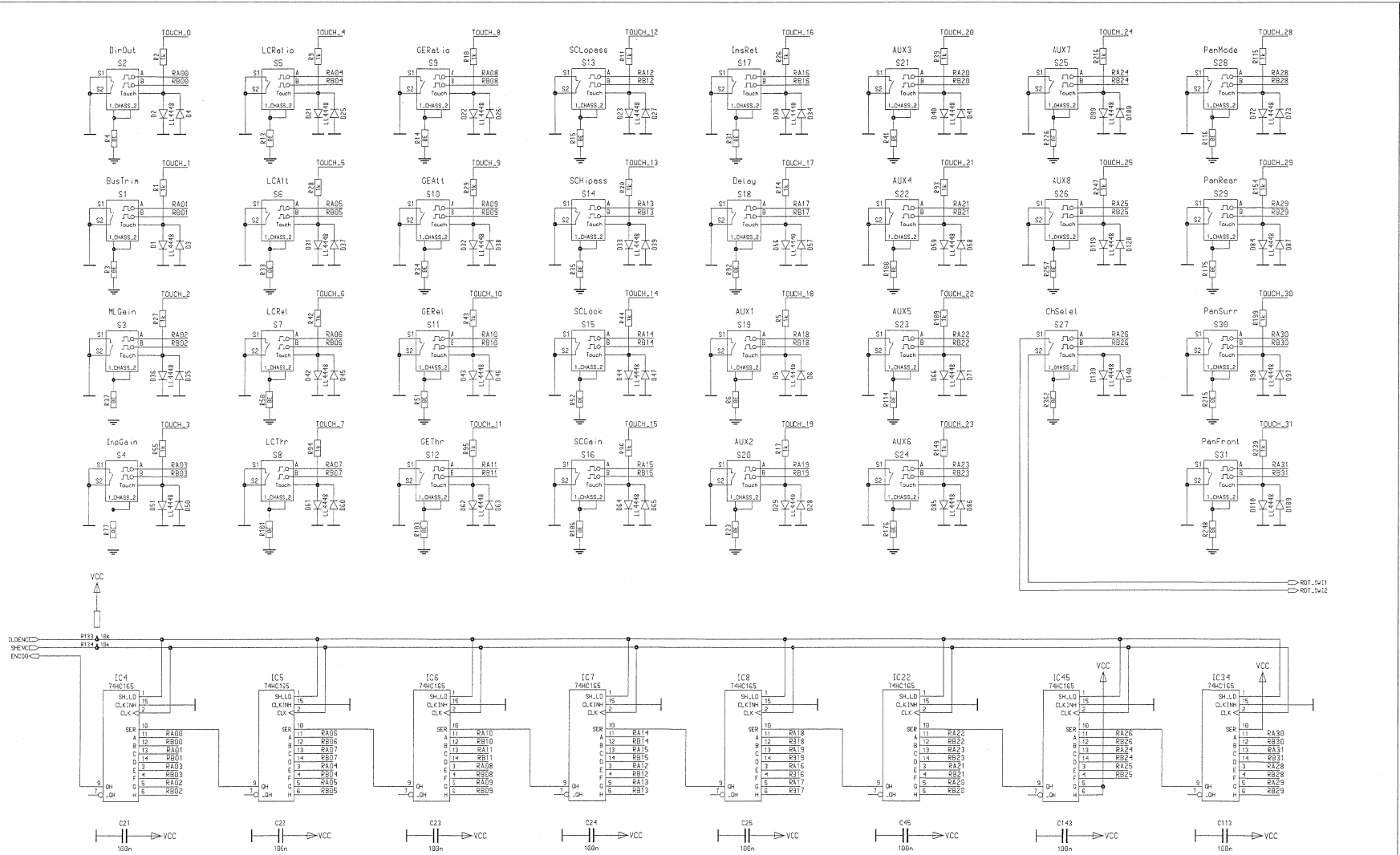


Erstellt	7.2.2000	SG	14.08.2000	PZ			
D950 Center Assign Section						PAGE 3 OF 8	
STUDER		CAS Controller Board				SC 1.950.771.20	

CAS Controller Board 1.950.771.20

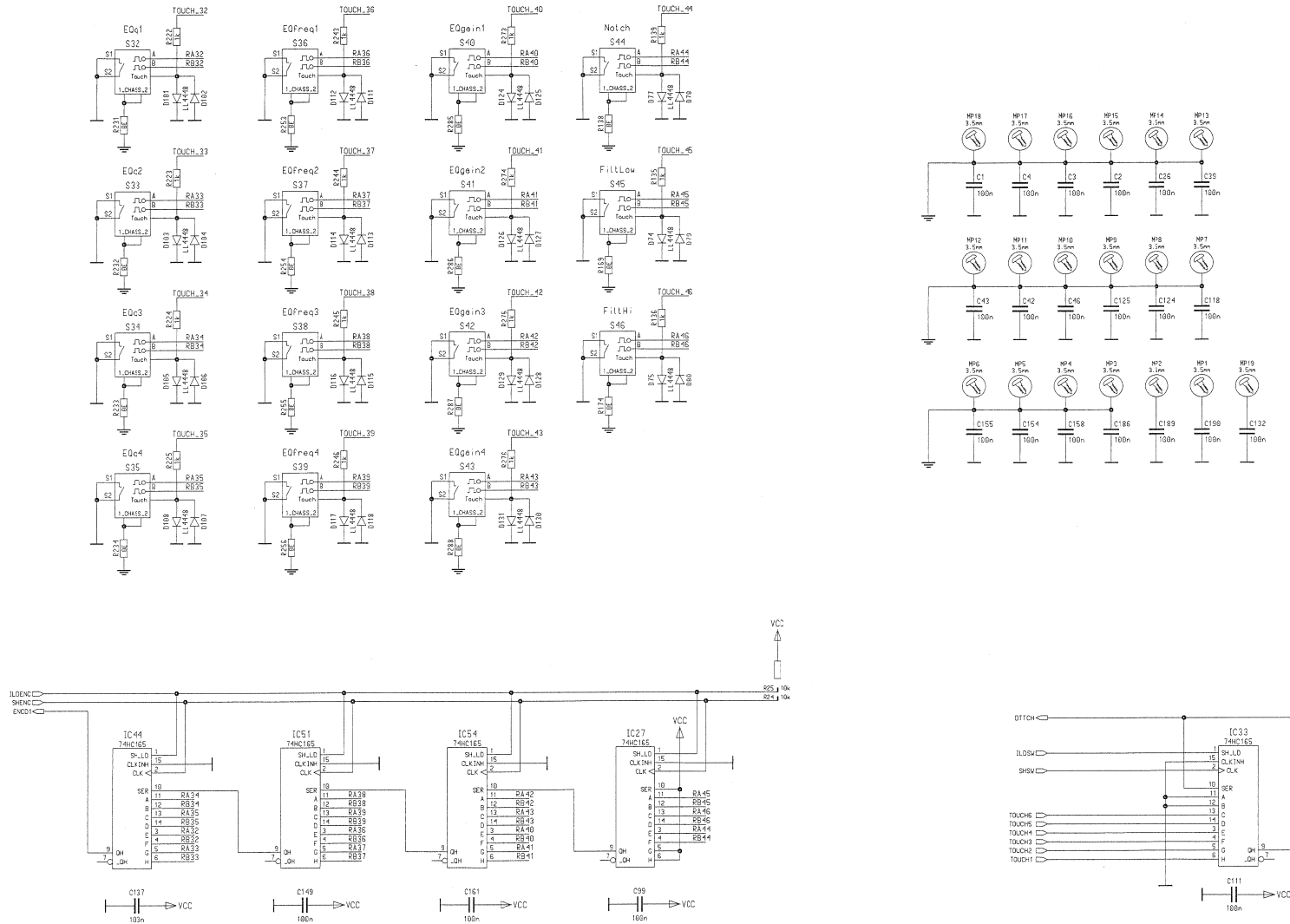


CAS Controller Board 1.950.771.20

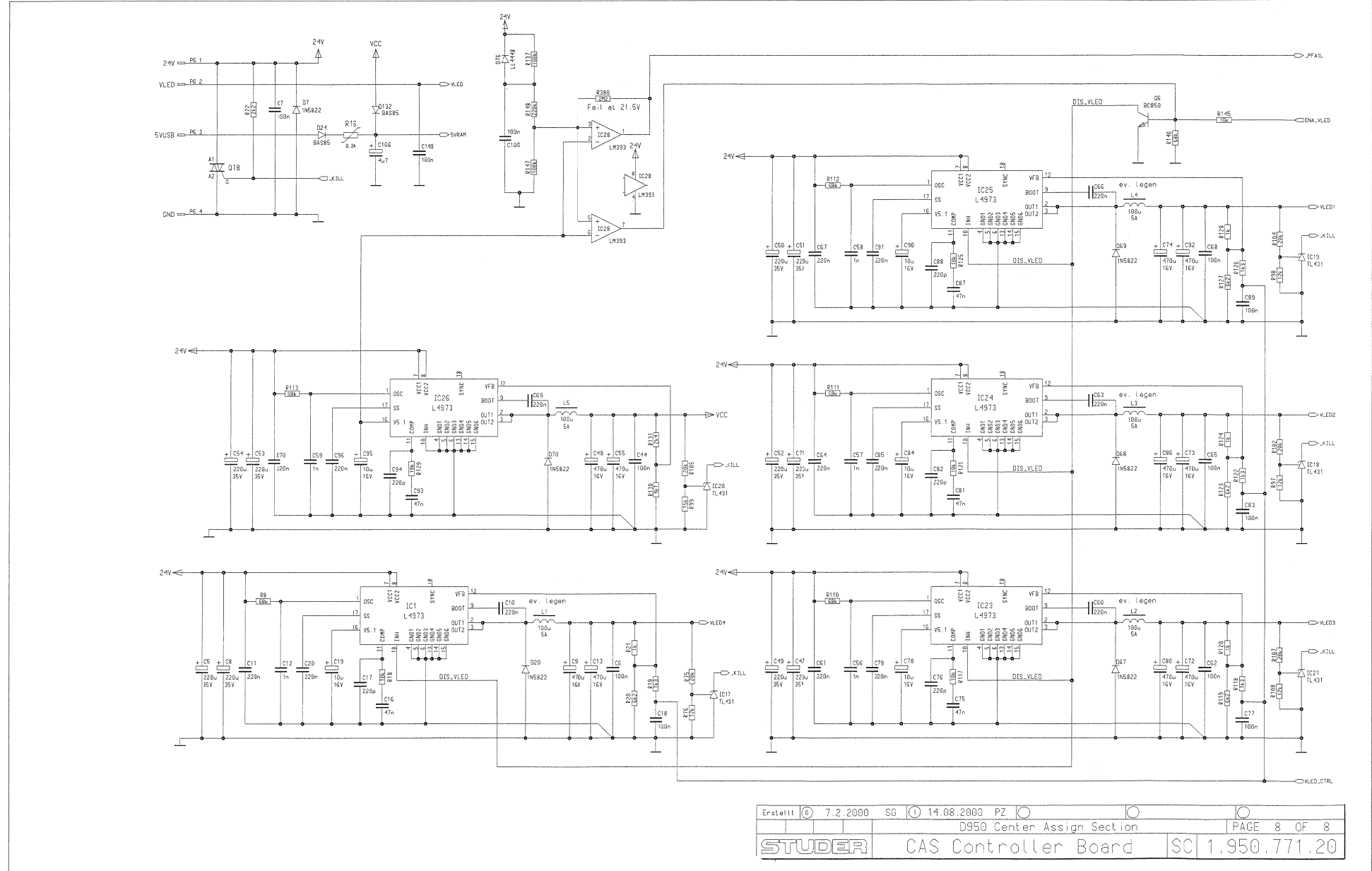


Erstellt	7.2.2000	SG	14.08.2000	PZ			
D950 Center Assign Section						PAGE 5 OF 8	
STUDER		CAS Controller Board			SC 1.950.771.20		

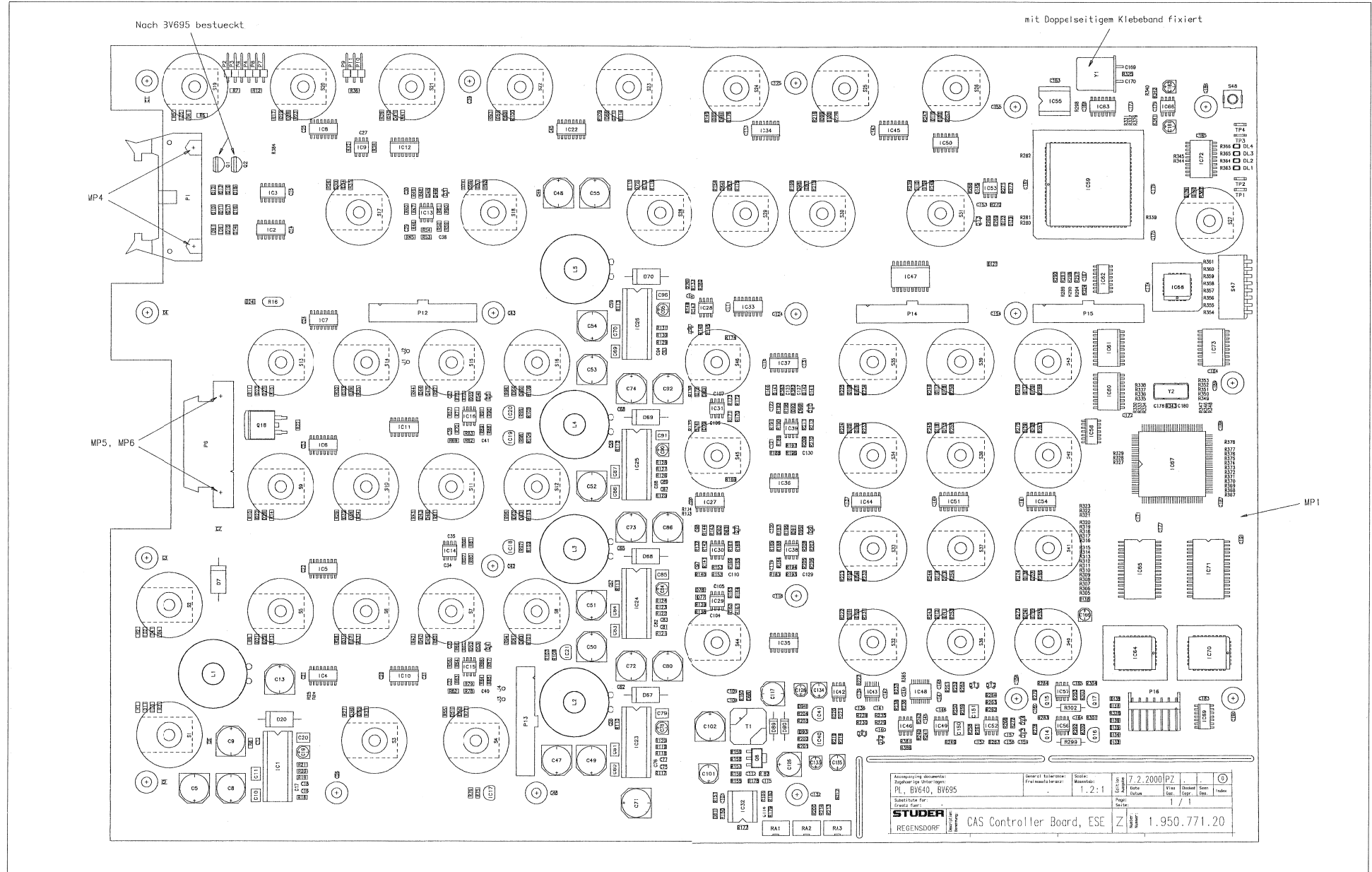
CAS Controller Board 1.950.771.20



CAS Controller Board 1.950.771.20



CAS Controller Board 1.950.771.20



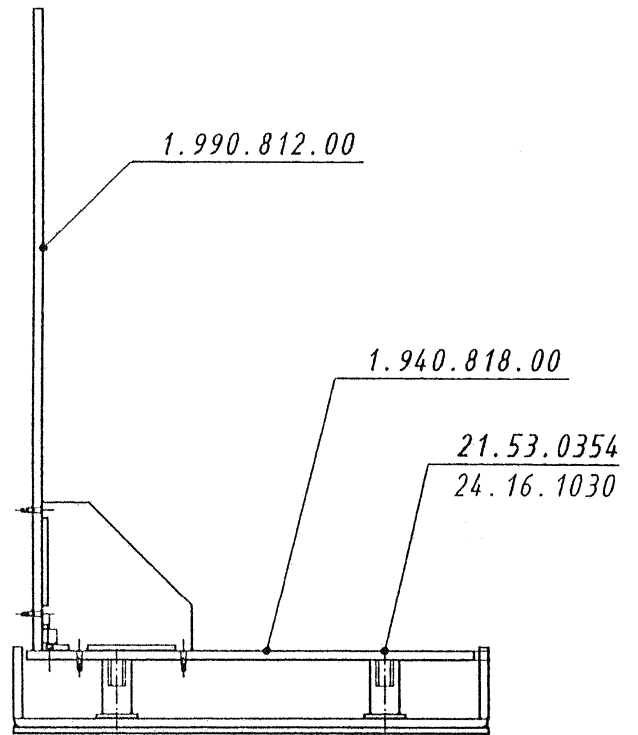
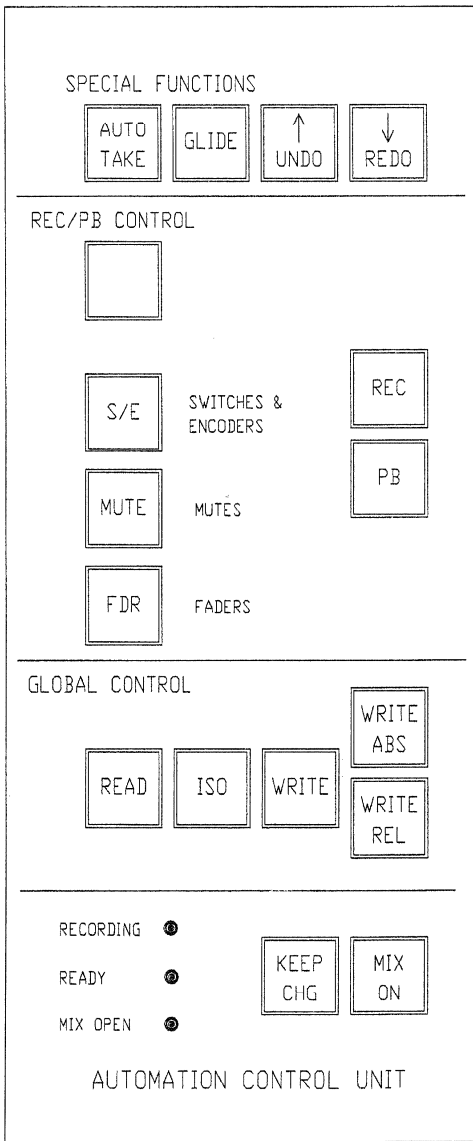
CAS Controller Board 1.950.771.20

Idx	Pos.	Part No.	Qty.	Type/Val.	Description	Idx	Pos.	Part No.	Qty.	Type/Val.	Description	Idx	Pos.	Part No.	Qty.	Type/Val.	Description	Idx	Pos.	Part No.	Qty.	Type/Val.	Description					
0	C 1	59.60.3337	1	pce	100n	CER 50V, 10%, X7R, 0805	0	C 82	59.60.2257	1	pce	220p	0	C 164	59.60.3321	1	pce	4n7	0	D 53	50.60.8001	1	pce	4448	200mA	75V	4ns	SOD 80
0	C 2	59.60.3337	1	pce	100n	CER 50V, 10%, X7R, 0805	0	C 83	59.60.3337	1	pce	100n	0	C 165	59.60.3321	1	pce	4n7	0	D 54	50.60.8001	1	pce	4448	200mA	75V	4ns	SOD 80
0	C 3	59.60.3337	1	pce	100n	CER 50V, 10%, X7R, 0805	0	C 84	59.68.0065	1	pce	10u	0	C 166	59.68.0107	1	pce	4u7	0	D 55	50.60.8001	1	pce	4448	200mA	75V	4ns	SOD 80
0	C 4	59.60.3337	1	pce	100n	CER 50V, 10%, X7R, 0805	0	C 85	59.63.0129	1	pce	220n	0	C 167	59.60.3337	1	pce	100n	0	D 56	50.60.8001	1	pce	4448	200mA	75V	4ns	SOD 80
0	C 5	59.68.0117	1	pce	220u	EL 35V, 10*10.7	0	C 86	59.68.0075	1	pce	470u	0	C 168	59.60.3337	1	pce	100n	0	D 57	50.60.8001	1	pce	4448	200mA	75V	4ns	SOD 80
0	C 6	59.60.3337	1	pce	100n	CER 50V, 10%, X7R, 0805	0	C 87	59.60.3337	1	pce	47n	0	C 169	59.60.2241	1	pce	47p	0	D 58	50.60.8001	1	pce	4448	200mA	75V	4ns	SOD 80
0	C 7	59.60.3337	1	pce	100n	CER 50V, 10%, X7R, 0805	0	C 88	59.60.2257	1	pce	220p	0	C 170	59.60.2241	1	pce	47p	0	D 59	50.60.8001	1	pce	4448	200mA	75V	4ns	SOD 80
0	C 8	59.68.0117	1	pce	220u	EL 35V, 10*10.7	0	C 89	59.60.3337	1	pce	100n	0	C 171	59.60.3337	1	pce	100n	0	D 60	50.60.8001	1	pce	4448	200mA	75V	4ns	SOD 80
0	C 9	59.63.0129	1	pce	470u	EL 16V, 10*10.7	0	C 90	59.68.0065	1	pce	10u	0	C 172	59.60.3337	1	pce	100n	0	D 61	50.60.8001	1	pce	4448	200mA	75V	4ns	SOD 80
0	C 10	59.63.0129	1	pce	220n	PEN 50V, 5%, 1812	0	C 91	59.63.0129	1	pce	220n	0	C 173	59.60.3337	1	pce	100n	0	D 62	50.60.8001	1	pce	4448	200mA	75V	4ns	SOD 80
0	C 11	59.63.0129	1	pce	220n	PEN 50V, 5%, 1812	0	C 92	59.68.0075	1	pce	470u	0	C 174	59.60.3337	1	pce	100n	0	D 63	50.60.8001	1	pce	4448	200mA	75V	4ns	SOD 80
0	C 12	59.60.2373	1	pce	1n0	CER 50V, 5%, COG, 0805	0	C 93	59.60.3333	1	pce	47n	0	C 175	59.60.3337	1	pce	100n	0	D 64	50.60.8001	1	pce	4448	200mA	75V	4ns	SOD 80
0	C 13	59.68.0075	1	pce	470u	EL 16V, 10*10.7	0	C 94	59.60.2257	1	pce	220p	0	C 176	59.60.3337	1	pce	100n	0	D 65	50.60.8001	1	pce	4448	200mA	75V	4ns	SOD 80
0	C 14	59.60.3337	1	pce	100n	CER 50V, 10%, X7R, 0805	0	C 95	59.68.0065	1	pce	10u	0	C 177	59.60.3337	1	pce	100n	0	D 66	50.60.8001	1	pce	4448	200mA	75V	4ns	SOD 80
0	C 15	59.60.3337	1	pce	100n	CER 50V, 10%, X7R, 0805	0	C 96	59.63.0129	1	pce	220n	0	C 178	59.60.2235	1	pce	27p	0	D 67	50.04.0519	1	pce	1N5822	3A, Schottky			
0	C 16	59.60.3333	1	pce	47n	CER 50V, 10%, X7R, 0805	0	C 97	59.60.3373	1	pce	10u	0	C 179	59.60.3337	1	pce	100n	0	D 68	50.04.0519	1	pce	1N5822	3A, Schottky			
0	C 17	59.60.2257	1	pce	220p	CER 50V, 5%, COG, 0603	0	C 98	59.60.3317	1	pce	2n2	0	C 180	59.60.2235	1	pce	27p	0	D 69	50.04.0519	1	pce	1N5822	3A, Schottky			
0	C 18	59.60.3337	1	pce	100n	CER 50V, 10%, X7R, 0805	0	C 99	59.60.3337	1	pce	100n	0	C 181	59.68.0127	1	pce	1u0	0	D 70	50.04.0519	1	pce	1N5822	3A, Schottky			
0	C 19	59.68.0065	1	pce	10u	EL 16V, 4.0*5.7	0	C 100	59.60.3337	1	pce	100n	0	C 182	59.68.0065	1	pce	10u	0	D 71	50.60.8001	1	pce	4448	200mA	75V	4ns	SOD 80
0	C 20	59.63.0129	1	pce	220n	PEN 50V, 5%, 1812	0	C 101	59.68.0111	1	pce	22u	0	C 183	59.60.3337	1	pce	100n	0	D 72	50.60.8001	1	pce	4448	200mA	75V	4ns	SOD 80
0	C 21	59.60.3337	1	pce	100n	CER 50V, 10%, X7R, 0805	0	C 102	59.68.0111	1	pce	220u	0	C 184	59.60.3337	1	pce	100n	0	D 73	50.60.8001	1	pce	4448	200mA	75V	4ns	SOD 80
0	C 22	59.60.3337	1	pce	100n	CER 50V, 10%, X7R, 0805	0	C 103	59.60.2373	1	pce	1n0	0	C 185	59.60.3337	1	pce	100n	0	D 74	50.60.8001	1	pce	4448	200mA	75V	4ns	SOD 80
0	C 23	59.60.3337	1	pce	100n	CER 50V, 10%, X7R, 0805	0	C 104	59.60.2241	1	pce	47n	0	C 186	59.60.3337	1	pce	100n	0	D 75	50.60.8001	1	pce	4448	200mA	75V	4ns	SOD 80
0	C 24	59.60.3337	1	pce	100n	CER 50V, 10%, X7R, 0805	0	C 105	59.60.2249	1	pce	100p	0	C 187	59.60.3337	1	pce	100n	0	D 76	50.60.8001	1	pce	4448	200mA	75V	4ns	SOD 80
0	C 25	59.60.3337	1	pce	100n	CER 50V, 10%, X7R, 0805	0	C 106	59.60.2249	1	pce	100p	0	C 188	59.60.3337	1	pce	100n	0	D 77	50.60.8001	1	pce	4448	200mA	75V	4ns	SOD 80
0	C 26	59.60.3337	1	pce	100n	CER 50V, 10%, X7R, 0805	0	C 107	59.60.2249	1	pce	100p	0	C 189	59.60.3337	1	pce	100n	0	D 78	50.60.8001	1	pce	4448	200mA	75V	4ns	SOD 80
0	C 27	59.60.2249	1	pce	100p	CER 50V, 5%, COG, 0603	0	C 108	59.60.3337	1	pce	100n	0	C 190	59.60.3337	1	pce	100n	0	D 79	50.60.8001	1	pce	4448	200mA	75V	4ns	SOD 80
0	C 28	59.60.3337	1	pce	100n	CER 50V, 10%, X7R, 0805	0	C 109	59.60.3317	1	pce	2n2	0	C 191	59.60.3337	1	pce	100n	0	D 80	50.60.8001	1	pce	4448	200mA	75V	4ns	SOD 80
0	C 29	59.60.2373	1	pce	1n0	CER 50V, 5%, COG, 0805	0	C 110	59.60.2249	1	pce	100p	0	0	D 81	50.60.8001	1	pce	4448	200mA	75V	4ns	SOD 80					
0	C 30	59.60.3317	1	pce	2n2	CER 50V, 10%, X7R, 0805	0	C 111	59.60.3337	1	pce	100n	0	0	D 82	50.60.8001	1	pce	4448	200mA	75V	4ns	SOD 80					
0	C 31	59.60.3337	1	pce	100n	CER 50V, 10%, X7R, 0805	0	C 112	59.60.2373	1	pce	1n0	0	0	D 83	50.60.8001	1	pce	4448	200mA	75V	4ns	SOD 80					
0	C 32	59.60.2373	1	pce	1n0	CER 50V, 5%, COG, 0805	0	C 113	59.60.3337	1	pce	100n	0	0	D 84	50.60.8001	1	pce	4448	200mA	75V	4ns	SOD 80					
0	C 33	59.60.3317	1	pce	2n2	CER 50V, 10%, X7R, 0805	0	C 114	59.60.2249	1	pce	100p	0	0	D 85	50.60.8001	1	pce	4448	200mA	75V	4ns	SOD 80					
0	C 34	59.60.2249	1	pce	100p	CER 50V, 5%, COG, 0603	0	C 115	59.60.2365	1	pce	470p	0	0	D 86	50.60.8001	1	pce	4448	200mA	75V	4ns	SOD 80					
0	C 35	59.60.2249	1	pce	100p	CER 50V, 5%, COG, 0603	0	C 116	59.60.3337	1	pce	100n	0	0	D 87	50.60.8001	1	pce	4448	200mA	75V	4ns	SOD 80					
0	C 36	59.60.2373	1	pce	1n0	CER 50V, 5%, COG, 0805	0	C 117	59.68.0115	1	pce	100u	0	0	D 88	50.60.8001	1	pce	4448	200mA	75V	4ns	SOD 80					
0	C 37	59.60.3317	1	pce	2n2	CER 50V, 10%, X7R, 0805	0	C 118	59.60.3337	1	pce	100n	0	0	D 89	50.04.0527	1	pce	MBR160	MBR 160, SB, 160, 11 DQ, 06								
0	C 38	59.60.2249	1	pce	100p	CER 50V, 5%, COG, 0603	0	C 119	59.60.2373	1	pce	100p	0	0	D 90	50.04.0527	1	pce	MBR160	MBR 160, SB, 160, 11 DQ, 06								
0	C 39	59.60.3337	1	pce	100n	CER 50V, 10%, X7R, 0805	0	C 120	59.60.3317	1	pce	2n2	0	0	D 91	50.60.8001	1	pce	4448	200mA	75V	4ns	SOD 80					
0	C 40	59.60.2249	1	pce	100p	CER 50V, 5%, COG, 0603	0	C 121	59.60.2373	1	pce	100p	0	0	D 92	50.60.8001	1	pce	4448	200mA	75V	4ns	SOD 80					
0	C 41	59.60.2249	1	pce	100p	CER 50V, 5%, COG, 0603	0	C 122	59.60.3317	1	pce	2n2	0	0	D 93	50.60.8001	1	pce	4448	200mA	75V	4ns	SOD 80					
0	C 42	59.60.3337	1	pce	100n	CER 50V, 10%, X7R, 0805	0	C 123	59.60.2221	1	pce	9p8	0	0	D 94	50.60.8001	1	pce	4448	200mA	75V	4ns	SOD 80					
0	C 43	59.60.3337	1	pce	100n	CER 50V, 10%, X7R, 0805	0	C 124	59.60.3337	1	pce	100n	0	0	D 95	50.60.8001	1	pce	4448	200mA	75V	4ns	SOD 80					
0	C 44	59.60.3337	1	pce	100n	CER 50V, 10%, X7R, 0805	0	C 125	59.60.3337	1	pce	100n	0	0	D 96	50.60.8001	1	pce	4448	200mA	75V	4ns	SOD 80					
0	C 45	59.60.3337	1	pce	100n	CER 50V, 10%, X7R, 0805	0	C 126	59.68.0115	1	pce	100u	0	0	D 97	50.60.8001	1	pce	4448	200mA	75V	4ns	SOD 80					
0	C 46	59.60.3337	1	pce	100n	CER 50V, 10%, X7R, 0805	0	C 127	59.60.2241	1	pce	47n	0	0	D 98	50.60.8001	1	pce	4448	200mA	75V	4ns	SOD 80					
0	C 47	59.68.0117	1	pce	220u	EL 35V, 10*10.7	0	C 128	59.68.0107	1	pce	4u7	0	0	D 99	50.60.8001	1	pce	4448	200mA	75V	4ns	SOD 80					
0	C 48	59.68.0075	1	pce	470u	EL 16V, 10*10.7	0	C 129	59.60.2249	1	pce	100p	0	0	D 100	50.60.8001	1	pce	4448	200mA	75V	4ns	SOD 80					
0	C 49	59.68.0117	1	pce	220u	EL 35V, 10*10.7	0	C 130	59.60.2249	1	pce	100p	0	0	D 101	50.60.8001	1	pce	4448	200mA	75V	4ns	SOD 80					
0	C 50	59.68.0117	1	pce	220u	EL 35V, 10*10.7	0	C 131	59.60.3337	1	pce	100n	0	0	D 102	50.60.800												

CAS Controller Board 1.950.771.20

Idx	Pos.	Part No.	Qty.	Type/Val.	Description	Idx	Pos.	Part No.	Qty.	Type/Val.	Description	Idx	Pos.	Part No.	Qty.	Type/Val.	Description	Idx	Pos.	Part No.	Qty.	Type/Val.	Description
0	D 133	50.60.8001	1	pce	4448 200mA 75V 4ns SOD 80	0	IC 59	50.63.4210	1	pce	EPF10K10 PLD 10 000 gates	0	R 19	57.60.1132	1	pce	1K3 MF, 1%, 0204, E24	0	R 98	57.60.1123	1	pce	12k MF, 1%, 0204, E24
0	D 134	50.60.8001	1	pce	4448 200mA 75V 4ns SOD 80	0	IC 60	50.62.3573	1	pce	74HCT573 Octal D-type latch	0	R 20	57.60.1622	1	pce	6K2 MF, 1%, 0204, E24	0	R 99	57.60.1153	1	pce	15k MF, 1%, 0204, E24
0	D 135	50.60.8001	1	pce	4448 200mA 75V 4ns SOD 80	0	IC 61	50.62.3573	1	pce	74HCT573 Octal D-type latch	0	R 21	57.60.1102	1	pce	10k MF, 1%, 0204, E24	0	R 100	57.60.1000	1	pce	0R0 MF, 0204
0	D 136	50.60.8001	1	pce	4448 200mA 75V 4ns SOD 80	0	IC 62	50.62.3138	1	pce	74HCT138 3 to 8 line decoder	0	R 22	57.60.1222	1	pce	2K2 MF, 1%, 0204, E24	0	R 101	57.60.1000	1	pce	0R0 MF, 0204
0	D 137	50.60.8001	1	pce	4448 200mA 75V 4ns SOD 80	0	IC 63	50.62.1904	1	pce	74HCU04 Hex inverter unbuffered	0	R 23	57.60.1000	1	pce	0R0 MF, 0204	0	R 102	57.60.1203	1	pce	20k MF, 1%, 0204, E24
0	D 138	50.60.8001	1	pce	4448 200mA 75V 4ns SOD 80	0	IC 64	1.950.945.20	1	pce	SW771 high (IC70 50.63.1303)	0	R 24	57.60.1097	1	pce	10k CF 5% 0603	0	R 103	57.60.1000	1	pce	0R0 MF, 0204
0	D 139	50.60.8001	1	pce	4448 200mA 75V 4ns SOD 80	0	IC 65	50.63.1504	1	pce	551001 SRAM 128K*8, 100ns	0	R 25	57.60.1097	1	pce	10k CF 5% 0603	0	R 104	57.60.1203	1	pce	20k MF, 1%, 0204, E24
0	D 140	50.60.8001	1	pce	4448 200mA 75V 4ns SOD 80	0	IC 66	50.63.2001	1	pce	77056 Reset Generator	0	R 26	57.60.1102	1	pce	10k MF, 1%, 0204, E24	0	R 105	57.60.1203	1	pce	20k MF, 1%, 0204, E24
0	D 141	50.60.8001	1	pce	4448 200mA 75V 4ns SOD 80	0	IC 67	50.63.0100	1	pce	MC88302 MPU 16bit	0	R 27	57.60.1102	1	pce	10k MF, 1%, 0204, E24	0	R 106	57.60.1000	1	pce	0R0 MF, 0204
0	D 142	50.60.8001	1	pce	4448 200mA 75V 4ns SOD 80	0	IC 68	1.950.950.20	1	pce	SW771 HDLC (50.63.3000)	0	R 28	57.60.1102	1	pce	10k MF, 1%, 0204, E24	0	R 107	57.60.1203	1	pce	20k MF, 1%, 0204, E24
0	D 143	50.60.8001	1	pce	4448 200mA 75V 4ns SOD 80	0	IC 69	50.62.1014	1	pce	74HC 14 Hex Schmitt trigger inverter	0	R 29	57.60.1102	1	pce	10k MF, 1%, 0204, E24	0	R 108	57.60.1123	1	pce	12k MF, 1%, 0204, E24
0	D 144	50.60.8001	1	pce	4448 200mA 75V 4ns SOD 80	0	IC 70	1.950.945.20	1	pce	SW771 low (IC64 50.63.1303)	0	R 30	57.60.1102	1	pce	10k MF, 1%, 0204, E24	0	R 109	57.60.1102	1	pce	10k MF, 1%, 0204, E24
0	D 145	50.60.8001	1	pce	4448 200mA 75V 4ns SOD 80	0	IC 71	50.63.1504	1	pce	551001 SRAM 128K*8, 100ns	0	R 31	57.60.1000	1	pce	0R0 MF, 0204	0	R 110	57.60.1683	1	pce	68k MF, 1%, 0204, E24
0	DL 1	50.60.9401	1	pce	red SMD LED superred	0	IC 72	50.62.1244	1	pce	74HC244 Octal buffer line driver/receiver	0	R 32	57.60.1152	1	pce	1k5 MF, 1%, 0204, E24	0	R 111	57.60.1683	1	pce	68k MF, 1%, 0204, E24
0	DL 2	50.60.9401	1	pce	red SMD LED superred	0	IC 73	50.62.1245	1	pce	74HC245 Octal bus transceiver	0	R 33	57.60.1000	1	pce	0R0 MF, 0204	0	R 112	57.60.1683	1	pce	68k MF, 1%, 0204, E24
0	DL 3	50.60.9402	1	pce	yellow SMD LED yellow	0	L 1	62.03.0040	1	pce	100uH 5A Toroid Choke	0	R 34	57.60.1000	1	pce	0R0 MF, 0204	0	R 113	57.60.1683	1	pce	68k MF, 1%, 0204, E24
0	DL 4	50.60.9402	1	pce	yellow SMD LED yellow	0	L 2	62.03.0040	1	pce	100uH 5A Toroid Choke	0	R 35	57.60.1000	1	pce	0R0 MF, 0204	0	R 114	57.60.1000	1	pce	0R0 MF, 0204
0	DV 1	50.60.9013	1	pce	8/9 5%, 0.2W, SOT 23	0	L 3	62.03.0040	1	pce	100uH 5A Toroid Choke	0	R 36	57.60.1101	1	pce	100R MF, 1%, 0204, E24	0	R 115	57.60.1102	1	pce	10k MF, 1%, 0204, E24
0	DV 2	not used	1	pce	2/7 5%, 0.2W, SOT 23	0	L 4	62.03.0040	1	pce	100uH 5A Toroid Choke	0	R 37	57.60.1000	1	pce	0R0 MF, 0204	0	R 116	57.60.1102	1	pce	10k MF, 1%, 0204, E24
0	DV 3	50.60.9007	1	pce	3/9 5%, 0.2W, SOT 23	0	L 5	62.03.0040	1	pce	100uH 5A Toroid Choke	0	R 38	57.60.1152	1	pce	1k5 MF, 1%, 0204, E24	0	R 117	57.60.1103	1	pce	10k MF, 1%, 0204, E24
0	DV 4	50.60.9007	1	pce	3/9 5%, 0.2W, SOT 23	0	L 6	62.03.0040	1	pce	100uH 5A Toroid Choke	0	R 39	57.60.1102	1	pce	10k MF, 1%, 0204, E24	0	R 118	57.60.1132	1	pce	1k3 MF, 1%, 0204, E24
0	IC 1	50.10.0127	1	pce	4973V3.3 Switching Reg 3.3V 3.5A	0	MP 1	1.950.771.11	1	pce	CAS Controller Board PCB	0	R 40	57.60.1153	1	pce	15k MF, 1%, 0204, E24	0	R 119	57.60.1622	1	pce	6k2 MF, 1%, 0204, E24
0	IC 2	50.62.0463	1	pce	DS34C88 4*RS 422 Line Receiver	0	MP 2	43.01.0108	1	pce	Label ESE-WARNSCHILD	0	R 41	57.60.1000	1	pce	0R0 MF, 0204	0	R 120	57.60.1102	1	pce	10k MF, 1%, 0204, E24
0	IC 3	50.62.1086	1	pce	74HC 99 Quad Zinput EXOR	0	MP 3	1.950.771.10	1	pce	Label N. Elkette 5 * 20	0	R 42	57.60.1102	1	pce	10k MF, 1%, 0204, E24	0	R 121	57.60.1103	1	pce	10k MF, 1%, 0204, E24
0	IC 4	50.62.1165	1	pce	74HC165 8bit shift register	0	MP 4	28.98.0119	2	pce	ROHRNIETE D 2.5*0.15" 9	0	R 43	57.60.1102	1	pce	10k MF, 1%, 0204, E24	0	R 122	57.60.1132	1	pce	1k3 MF, 1%, 0204, E24
0	IC 5	50.62.1165	1	pce	74HC165 8bit shift register	0	MP 5	28.21.2308	2	pce	ROHRNIETE,DIN D 2.5* 8,0	0	R 44	57.60.1102	1	pce	10k MF, 1%, 0204, E24	0	R 123	57.60.1622	1	pce	6k2 MF, 1%, 0204, E24
0	IC 6	50.62.1165	1	pce	74HC165 8bit shift register	0	MP 6	23.01.2027	2	pce	U-Scheibe 2.7/6.0*0.5 St gb	0	R 45	57.60.1102	1	pce	10k MF, 1%, 0204, E24	0	R 124	57.60.1102	1	pce	10k MF, 1%, 0204, E24
0	IC 7	50.62.1165	1	pce	74HC165 8bit shift register	0	P 1	54.14.2017	1	pce	20p Winkelstecker Au	0	R 46	57.60.1153	1	pce	15k MF, 1%, 0204, E24	0	R 125	57.60.1103	1	pce	10k MF, 1%, 0204, E24
0	IC 8	50.62.1165	1	pce	74HC165 8bit shift register	0	P 2	54.11.0125	1	pce	1p Pin, 1reihig, winkel	0	R 47	57.60.1683	1	pce	68k MF, 1%, 0204, E24	0	R 126	57.60.1132	1	pce	1k3 MF, 1%, 0204, E24
0	IC 9	50.61.0201	1	pce	TL062 Dual FET Op-Amp	0	P 3	54.11.0125	1	pce	1p Pin, 1reihig, winkel	0	R 48	57.60.1104	1	pce	100k MF, 1%, 0204, E24	0	R 127	57.60.1622	1	pce	6k2 MF, 1%, 0204, E24
0	IC 10	50.62.1951	1	pce	74HC4051 8ch analog mux/demux	0	P 4	54.11.0125	1	pce	1p Pin, 1reihig, winkel	0	R 49	57.60.1564	1	pce	560k MF, 1%, 0204, E24	0	R 128	57.60.1102	1	pce	10k MF, 1%, 0204, E24
0	IC 11	50.62.1951	1	pce	74HC4051 8ch analog mux/demux	0	P 5	54.11.0125	1	pce	1p Pin, 1reihig, winkel	0	R 50	57.60.1000	1	pce	0R0 MF, 0204	0	R 129	57.60.1103	1	pce	10k MF, 1%, 0204, E24
0	IC 12	50.62.1951	1	pce	74HC4051 8ch analog mux/demux	0	P 6	54.25.0054	1	pce	4p Buchse, 16A, winkel, PCB	0	R 51	57.60.1000	1	pce	0R0 MF, 0204	0	R 130	57.60.1472	1	pce	4k7 MF, 1%, 0204, E24
0	IC 13	50.61.9001	1	pce	LM393 Dual voltage comp. SO 8	0	P 7	54.11.0125	1	pce	1p Pin, 1reihig, winkel	0	R 52	57.60.1000	1	pce	0R0 MF, 0204	0	R 131	57.60.1242	1	pce	2k4 MF, 1%, 0204, E24
0	IC 14	50.61.0201	1	pce	TL062 Dual FET Op-Amp	0	P 8	54.11.0125	1	pce	1p Pin, 1reihig, winkel	0	R 53	57.60.1564	1	pce	560k MF, 1%, 0204, E24	0	R 132	57.60.1153	1	pce	15k MF, 1%, 0204, E24
0	IC 15	50.61.9001	1	pce	LM393 Dual voltage comp. SO 8	0	P 9	54.11.0125	1	pce	1p Pin, 1reihig, winkel	0	R 54	57.60.1104	1	pce	100k MF, 1%, 0204, E24	0	R 133	57.60.1097	1	pce	10k CF 5% 0603
0	IC 16	50.61.9001	1	pce	LM393 Dual voltage comp. SO 8	0	P 10	54.11.0125	1	pce	1p Pin, 1reihig, winkel	0	R 55	57.60.1102	1	pce	10k MF, 1%, 0204, E24	0	R 134	57.60.1097	1	pce	10k CF 5% 0603
0	IC 17	50.10.0106	1	pce	TL431 Shunt regulator	0	P 11	54.11.0125	1	pce	1p Pin, 1reihig, winkel	0	R 56	57.60.1153	1	pce	15k MF, 1%, 0204, E24	0	R 135	57.60.1102	1	pce	10k MF, 1%, 0204, E24
0	IC 18	50.10.0106	1	pce	TL431 Shunt regulator	0	P 12	54.14.4126	1	pce	25p 120T Au, gerade	0	R 57	57.60.1153	1	pce	15k MF, 1%, 0204, E24	0	R 136	57.60.1102	1	pce	10k MF, 1%, 0204, E24
0	IC 19	50.10.0106	1	pce	TL431 Shunt regulator	0	P 13	54.14.4126	1	pce	25p 120T Au, gerade	0	R 58	57.60.1102	1	pce	10k MF, 1%, 0204, E24	0	R 137	57.60.1104	1	pce	100k MF, 1%, 0204, E24
0	IC 20	50.10.0106	1	pce	TL431 Shunt regulator	0	P 14	54.14.4126	1	pce	25p 120T Au, gerade	0	R 59	57.60.1332	1	pce	3k3 MF, 1%, 0204, E24	0	R 138	57.60.1000	1	pce	0R0 MF, 0204
0	IC 21	50.10.0106	1	pce	TL431 Shunt regulator	0	P 15	54.14.4126	1	pce	25p 120T Au, gerade	0	R 60	57.60.1155	1	pce	10k MF, 1%, 0204, E24	0	R 139	57.60.1102	1	pce	10k MF, 1%, 0204, E24
0	IC 22	50.62.1165	1	pce	74HC165 8bit shift register	0	P 16	54.12.0727	1	pce	7p Stecker winkel PCB	0	R 61	57.60.1103	1	pce	10k MF, 1%, 0204, E24	0	R 140	57.60.1102	1	pce	10k MF, 1%, 0204, E24
0	IC 23	50.10.0127	1	pce	4973V3.3 Switching Reg 3.3V 3.5A	0	Q 1	50.03.1554	1	pce	VP6080L P-VMO5-FET 60V, 0.33A	0	R 62	57.60.1102	1	pce	10k MF, 1%, 0204, E24	0					

Automation Control Unit 1.940.820.00



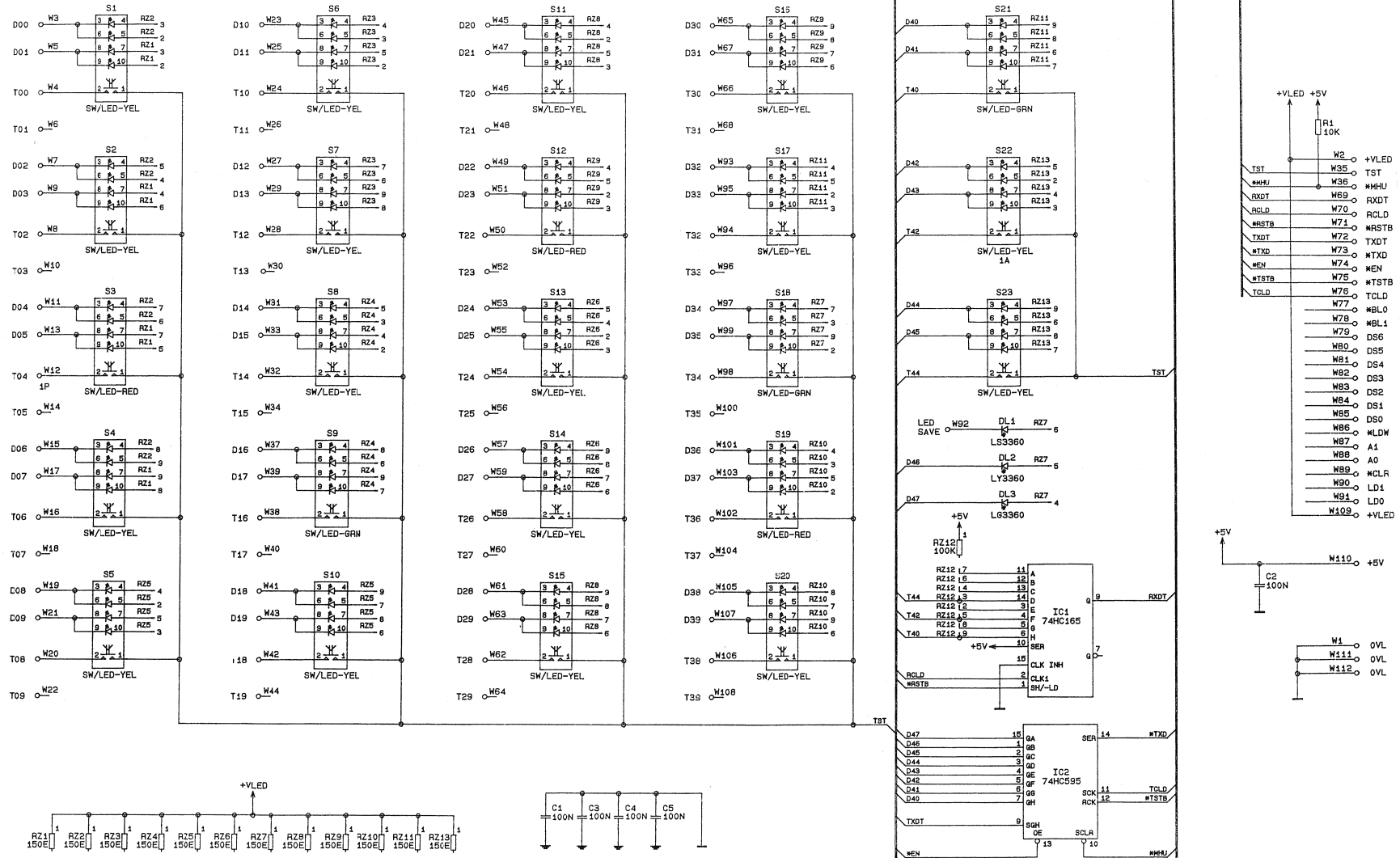
Modification	③
Änderung	②
	①
Edition	06.02.95	BC	HM	HM	④
Ausgabe	Date	Visa	Übted	Seen	Index
Datum	Gez.	Gez.	Gez.		

Copy To: _____
Kopie für: _____

STUDER REGENSDORF	Description: Automation Control Unit	Number: 1.940.820.00
-----------------------------	---	-------------------------

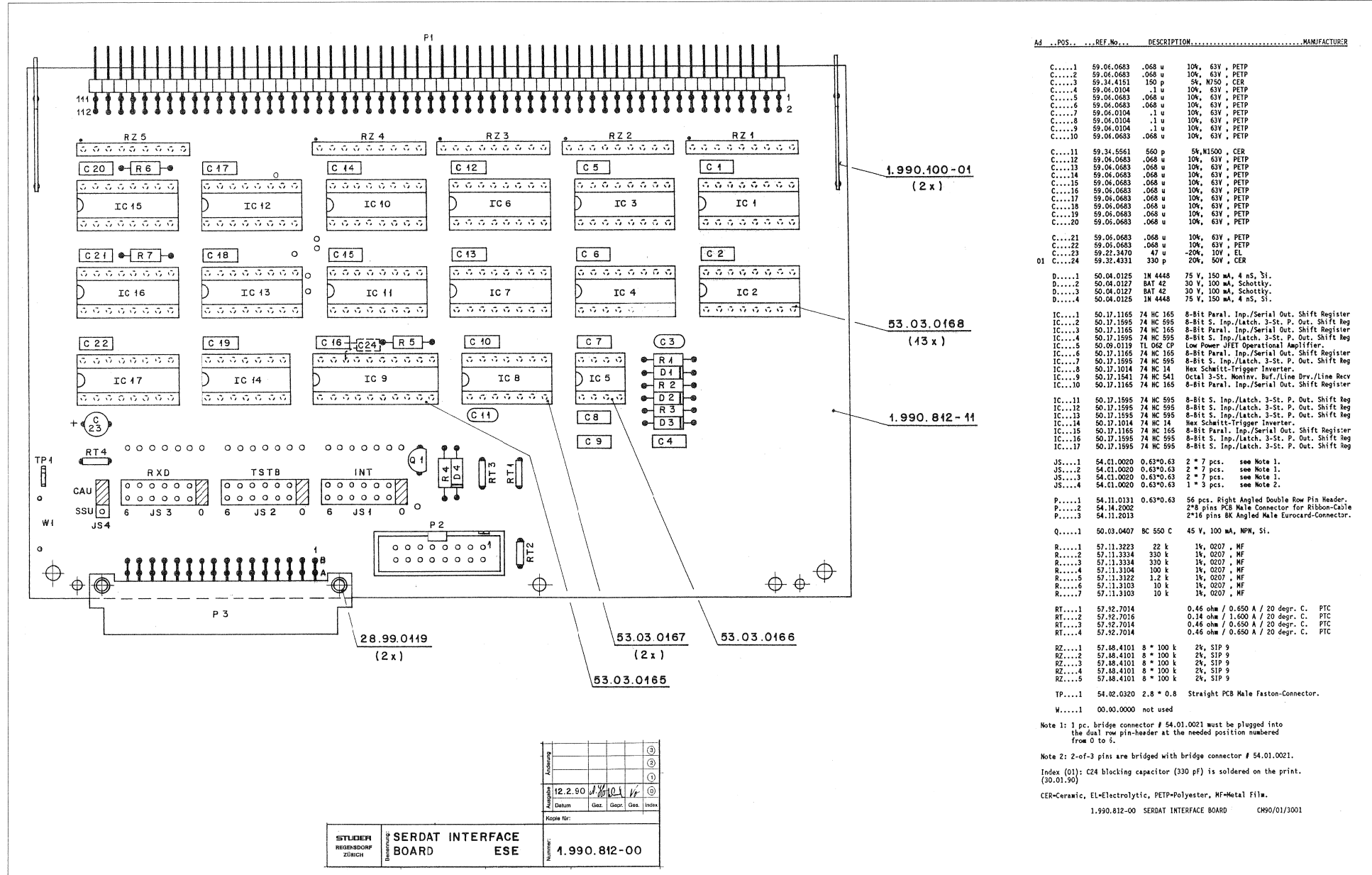


Automation Control Unit Switch Board 1.940.818.00

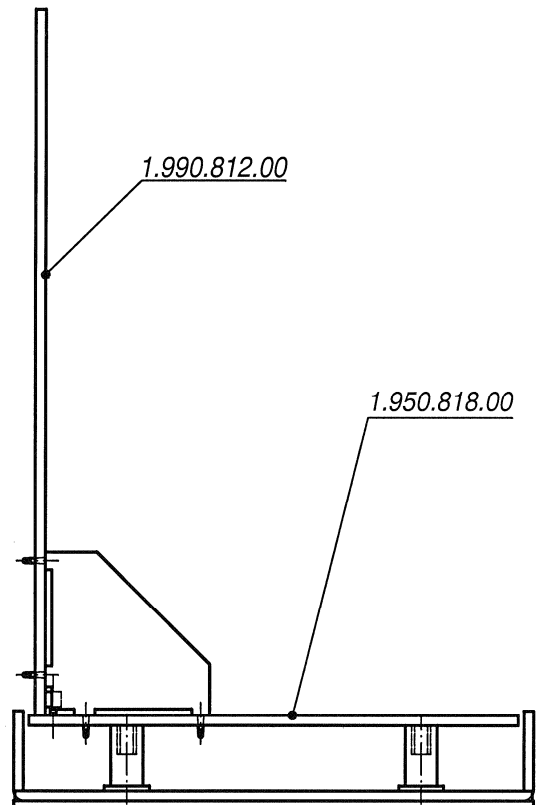
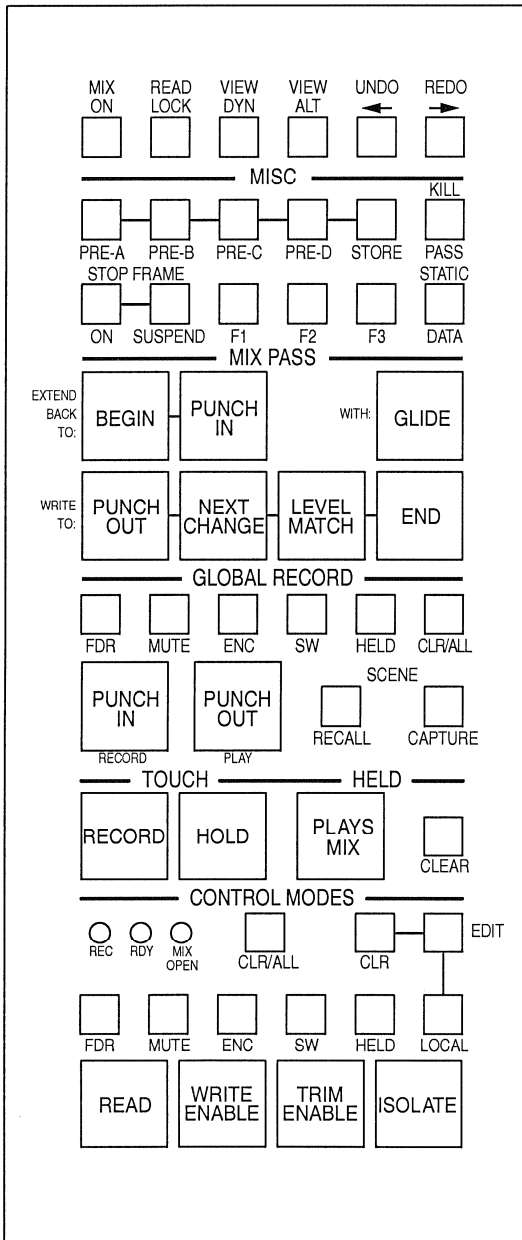




Serdat Interface Board 1.990.812.00

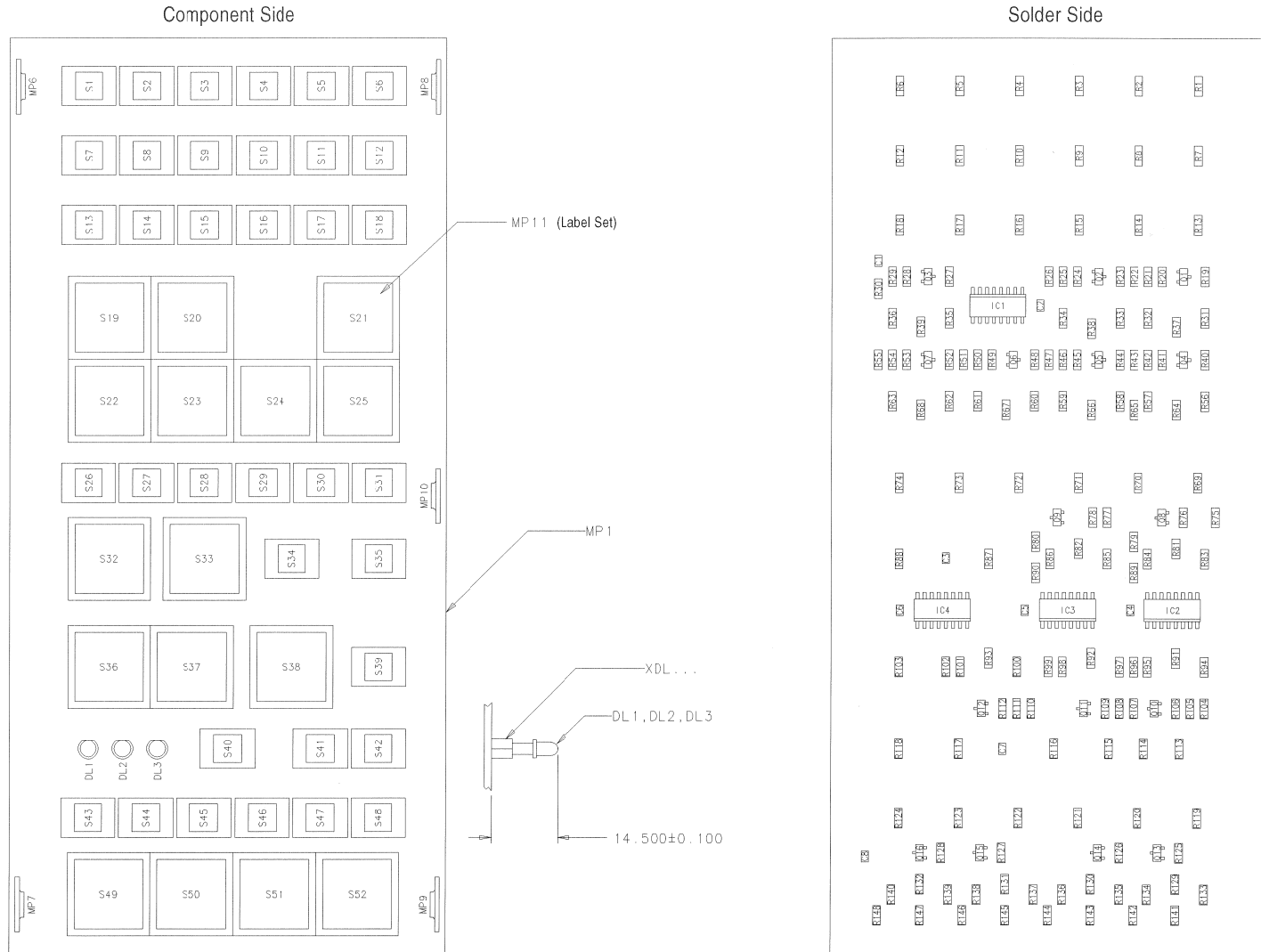


Automation Master Panel 1.950.820.00



STUDER REGENSDORF	Beschreibung: Automation Master Panel	Nummer:	1.950.820.00
		Nummer:	1.950.820.00

Automation Control Board 1.950.818.00 (0)



Accompanying documents: Zugehörige Unterlagen: PL	General tolerance: Freimasstoleranz:	Scale: Massstab:	Edition Ausgabe 18.12.2001	PZ Date Datum	ML Checked Gepr.	HM Seen Ges.	0 Index
Substitute for: Ersatz fuer:	Page: Seite:		1 / 1				
STUDER REGENSDORF	Designation: Benennung:	AUTOMATION CONTROL PANEL, ESE			Number: Nummer:	1.950.818.00	

Automation Control Board 1.950.818.00 (0)

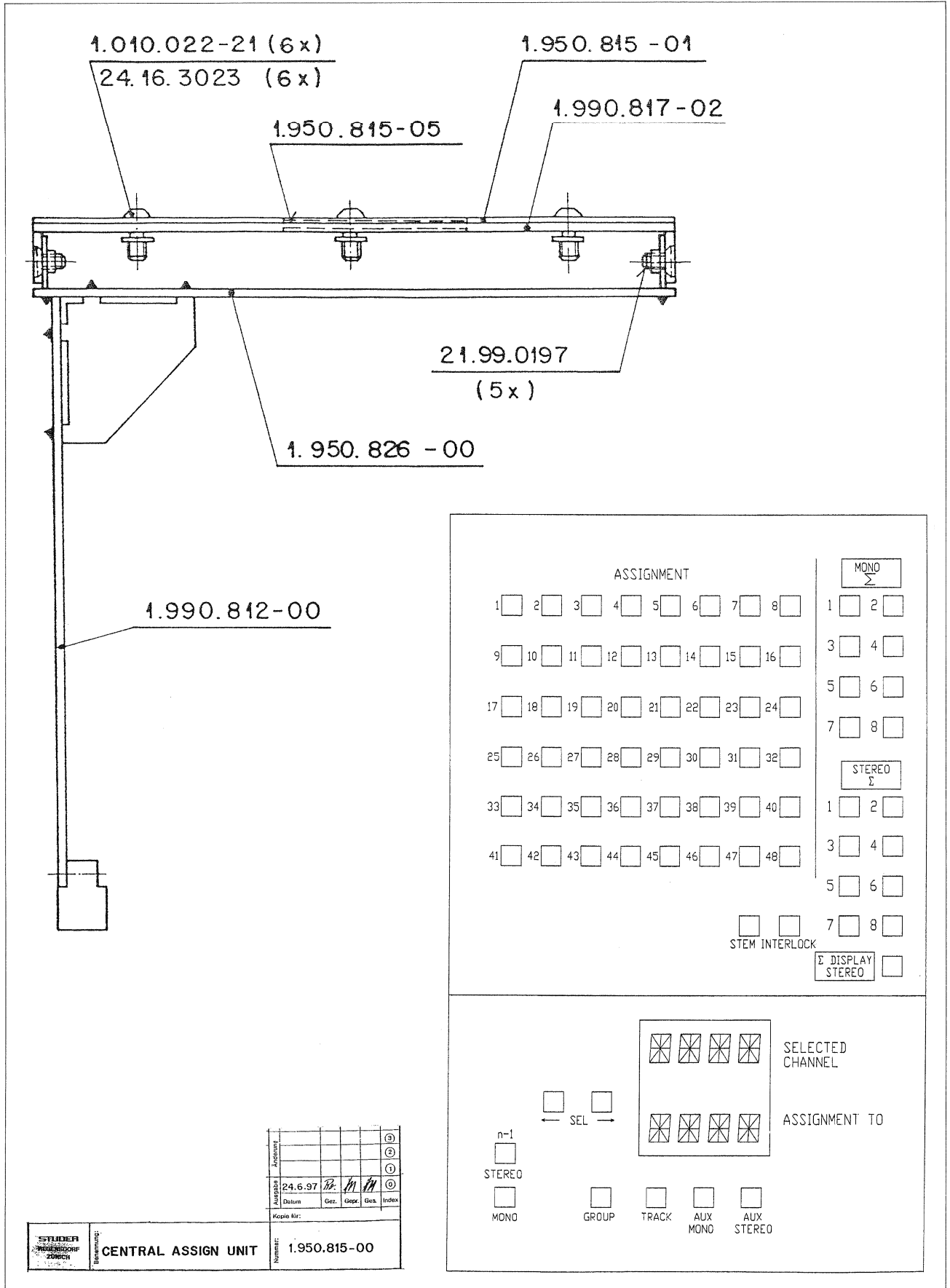
Idx. Pos.	Part No.	Qty.	Type/Val.	Description	Idx. Pos.	Part No.	Qty.	Type/Val.	Description
0 C 1	59.60.3337	1 pce	100n	CER 50V, 10%, X7R, 0805	0 R 48	57.60.1101	1 pce	100R	MF, 1%, 0204, E24
0 C 2	59.60.3337	1 pce	100n	CER 50V, 10%, X7R, 0805	0 R 49	57.60.1561	1 pce	560R	MF, 1%, 0204, E24
0 C 3	59.60.3337	1 pce	100n	CER 50V, 10%, X7R, 0805	0 R 50	57.60.1102	1 pce	1k0	MF, 1%, 0204, E24
0 C 4	59.60.3337	1 pce	100n	CER 50V, 10%, X7R, 0805	0 R 51	57.60.1101	1 pce	100R	MF, 1%, 0204, E24
0 C 5	59.60.3337	1 pce	100n	CER 50V, 10%, X7R, 0805	0 R 52	57.60.1151	1 pce	150R	MF, 1%, 0204, E24
0 C 6	59.60.3337	1 pce	100n	CER 50V, 10%, X7R, 0805	0 R 53	57.60.1561	1 pce	560R	MF, 1%, 0204, E24
0 C 7	59.60.3337	1 pce	100n	CER 50V, 10%, X7R, 0805	0 R 54	57.60.1102	1 pce	1k0	MF, 1%, 0204, E24
0 C 8	59.60.3337	1 pce	100n	CER 50V, 10%, X7R, 0805	0 R 55	57.60.1151	1 pce	150R	MF, 1%, 0204, E24
0 DL 1	50.04.2129	1 pce	LS3360	DL LS 3360 , RT DIFF	0 R 56	57.60.1101	1 pce	100R	MF, 1%, 0204, E24
0 DL 2	50.04.2130	1 pce	LY3360	DL LY 3360 , GB DIFF	0 R 57	57.60.1101	1 pce	100R	MF, 1%, 0204, E24
0 DL 3	50.04.2131	1 pce	LG3360	DL LG 3360 , GN DIFF	0 R 58	57.60.1101	1 pce	100R	MF, 1%, 0204, E24
0 IC 1	50.62.1595	1 pce	74HC595	8bit shift/output register	0 R 59	57.60.1101	1 pce	100R	MF, 1%, 0204, E24
0 IC 2	50.62.1595	1 pce	74HC595	8bit shift/output register	0 R 60	57.60.1101	1 pce	100R	MF, 1%, 0204, E24
0 IC 3	50.62.1165	1 pce	74HC165	8bit shift register	0 R 61	57.60.1101	1 pce	100R	MF, 1%, 0204, E24
0 IC 4	50.62.1165	1 pce	74HC165	8bit shift register	0 R 62	57.60.1151	1 pce	150R	MF, 1%, 0204, E24
0 MP 1	1.950.818.11	1 pce		AUTOMATION CONTROL PCB	0 R 63	57.60.1151	1 pce	150R	MF, 1%, 0204, E24
0 MP 2	1.950.818.10	1 pce		NR.-ETIKETTE 5 * 20	0 R 64	57.60.1104	1 pce	100k	MF, 1%, 0204, E24
0 MP 3	43.01.0108	1 pce	Label	ESE-WARNSCHILD	0 R 65	57.60.1103	1 pce	10k	MF, 1%, 0204, E24
0 MP 6	1.990.100.05	1 pce		QUERPRINTHALTER	0 R 66	57.60.1104	1 pce	100k	MF, 1%, 0204, E24
0 MP 7	1.990.100.05	1 pce		QUERPRINTHALTER	0 R 67	57.60.1104	1 pce	100k	MF, 1%, 0204, E24
0 MP 8	1.990.100.05	1 pce		QUERPRINTHALTER	0 R 68	57.60.1104	1 pce	100k	MF, 1%, 0204, E24
0 MP 9	1.990.100.05	1 pce		QUERPRINTHALTER	0 R 69	57.60.1331	1 pce	330R	MF, 1%, 0204, E24
0 MP 10	1.990.100.05	1 pce		QUERPRINTHALTER	0 R 70	57.60.1331	1 pce	330R	MF, 1%, 0204, E24
0 MP 11	1.950.818.03	1 pce		BESCHRIFTUNGS-SET	0 R 71	57.60.1331	1 pce	330R	MF, 1%, 0204, E24
0 Q 1	50.60.1001	1 pce	BC857B	PNP 45V 100mA SOT 23	0 R 72	57.60.1331	1 pce	330R	MF, 1%, 0204, E24
0 Q 2	50.60.1001	1 pce	BC857B	PNP 45V 100mA SOT 23	0 R 73	57.60.1331	1 pce	330R	MF, 1%, 0204, E24
0 Q 3	50.60.1001	1 pce	BC857B	PNP 45V 100mA SOT 23	0 R 74	57.60.1331	1 pce	330R	MF, 1%, 0204, E24
0 Q 4	50.60.1001	1 pce	BC857B	PNP 45V 100mA SOT 23	0 R 75	57.60.1151	1 pce	150R	MF, 1%, 0204, E24
0 Q 5	50.60.1001	1 pce	BC857B	PNP 45V 100mA SOT 23	0 R 76	57.60.1561	1 pce	560R	MF, 1%, 0204, E24
0 Q 6	50.60.1001	1 pce	BC857B	PNP 45V 100mA SOT 23	0 R 77	57.60.1101	1 pce	100R	MF, 1%, 0204, E24
0 Q 7	50.60.1001	1 pce	BC857B	PNP 45V 100mA SOT 23	0 R 78	57.60.1561	1 pce	560R	MF, 1%, 0204, E24
0 Q 8	50.60.1001	1 pce	BC857B	PNP 45V 100mA SOT 23	0 R 79	57.60.1151	1 pce	150R	MF, 1%, 0204, E24
0 Q 9	50.60.1001	1 pce	BC857B	PNP 45V 100mA SOT 23	0 R 80	57.60.1101	1 pce	100R	MF, 1%, 0204, E24
0 Q 10	50.60.1001	1 pce	BC857B	PNP 45V 100mA SOT 23	0 R 81	57.60.1102	1 pce	1k0	MF, 1%, 0204, E24
0 Q 11	50.60.1001	1 pce	BC857B	PNP 45V 100mA SOT 23	0 R 82	57.60.1102	1 pce	1k0	MF, 1%, 0204, E24
0 Q 12	50.60.1001	1 pce	BC857B	PNP 45V 100mA SOT 23	0 R 83	57.60.1151	1 pce	150R	MF, 1%, 0204, E24
0 Q 13	50.60.1001	1 pce	BC857B	PNP 45V 100mA SOT 23	0 R 84	57.60.1104	1 pce	100k	MF, 1%, 0204, E24
0 Q 14	50.60.1001	1 pce	BC857B	PNP 45V 100mA SOT 23	0 R 85	57.60.1101	1 pce	100R	MF, 1%, 0204, E24
0 Q 15	50.60.1001	1 pce	BC857B	PNP 45V 100mA SOT 23	0 R 86	57.60.1104	1 pce	100k	MF, 1%, 0204, E24
0 Q 16	50.60.1001	1 pce	BC857B	PNP 45V 100mA SOT 23	0 R 87	57.60.1331	1 pce	330R	MF, 1%, 0204, E24
0 R 1	57.60.1331	1 pce	330R	MF, 1%, 0204, E24	0 R 88	57.60.1331	1 pce	330R	MF, 1%, 0204, E24
0 R 2	57.60.1331	1 pce	330R	MF, 1%, 0204, E24	0 R 89	57.60.1151	1 pce	150R	MF, 1%, 0204, E24
0 R 3	57.60.1331	1 pce	330R	MF, 1%, 0204, E24	0 R 90	57.60.1101	1 pce	100R	MF, 1%, 0204, E24
0 R 4	57.60.1331	1 pce	330R	MF, 1%, 0204, E24	0 R 91	57.60.1104	1 pce	100k	MF, 1%, 0204, E24
0 R 5	57.60.1331	1 pce	330R	MF, 1%, 0204, E24	0 R 92	57.60.1104	1 pce	100k	MF, 1%, 0204, E24
0 R 6	57.60.1331	1 pce	330R	MF, 1%, 0204, E24	0 R 93	57.60.1104	1 pce	100k	MF, 1%, 0204, E24
0 R 7	57.60.1331	1 pce	330R	MF, 1%, 0204, E24	0 R 94	57.60.1151	1 pce	150R	MF, 1%, 0204, E24
0 R 8	57.60.1331	1 pce	330R	MF, 1%, 0204, E24	0 R 95	57.60.1151	1 pce	150R	MF, 1%, 0204, E24
0 R 9	57.60.1331	1 pce	330R	MF, 1%, 0204, E24	0 R 96	57.60.1151	1 pce	150R	MF, 1%, 0204, E24
0 R 10	57.60.1331	1 pce	330R	MF, 1%, 0204, E24	0 R 97	57.60.1101	1 pce	100R	MF, 1%, 0204, E24
0 R 11	57.60.1331	1 pce	330R	MF, 1%, 0204, E24	0 R 98	57.60.1101	1 pce	100R	MF, 1%, 0204, E24
0 R 12	57.60.1331	1 pce	330R	MF, 1%, 0204, E24	0 R 99	57.60.1101	1 pce	100R	MF, 1%, 0204, E24
0 R 13	57.60.1331	1 pce	330R	MF, 1%, 0204, E24	0 R 100	57.60.1101	1 pce	100R	MF, 1%, 0204, E24
0 R 14	57.60.1331	1 pce	330R	MF, 1%, 0204, E24	0 R 101	57.60.1101	1 pce	100R	MF, 1%, 0204, E24
0 R 15	57.60.1331	1 pce	330R	MF, 1%, 0204, E24	0 R 102	57.60.1101	1 pce	100R	MF, 1%, 0204, E24
0 R 16	57.60.1331	1 pce	330R	MF, 1%, 0204, E24	0 R 103	57.60.1331	1 pce	330R	MF, 1%, 0204, E24
0 R 17	57.60.1331	1 pce	330R	MF, 1%, 0204, E24	0 R 104	57.60.1151	1 pce	150R	MF, 1%, 0204, E24
0 R 18	57.60.1331	1 pce	330R	MF, 1%, 0204, E24	0 R 105	57.60.1102	1 pce	1k0	MF, 1%, 0204, E24
0 R 19	57.60.1151	1 pce	150R	MF, 1%, 0204, E24	0 R 106	57.60.1561	1 pce	560R	MF, 1%, 0204, E24
0 R 20	57.60.1561	1 pce	560R	MF, 1%, 0204, E24	0 R 107	57.60.1101	1 pce	100R	MF, 1%, 0204, E24
0 R 21	57.60.1151	1 pce	150R	MF, 1%, 0204, E24	0 R 108	57.60.1102	1 pce	1k0	MF, 1%, 0204, E24
0 R 22	57.60.1102	1 pce	1k0	MF, 1%, 0204, E24	0 R 109	57.60.1561	1 pce	560R	MF, 1%, 0204, E24
0 R 23	57.60.1101	1 pce	100R	MF, 1%, 0204, E24	0 R 110	57.60.1101	1 pce	100R	MF, 1%, 0204, E24
0 R 24	57.60.1561	1 pce	560R	MF, 1%, 0204, E24	0 R 111	57.60.1102	1 pce	1k0	MF, 1%, 0204, E24
0 R 25	57.60.1102	1 pce	1k0	MF, 1%, 0204, E24	0 R 112	57.60.1561	1 pce	560R	MF, 1%, 0204, E24
0 R 26	57.60.1101	1 pce	100R	MF, 1%, 0204, E24	0 R 113	57.60.1151	1 pce	150R	MF, 1%, 0204, E24
0 R 27	57.60.1101	1 pce	100R	MF, 1%, 0204, E24	0 R 114	57.60.1151	1 pce	150R	MF, 1%, 0204, E24
0 R 28	57.60.1561	1 pce	560R	MF, 1%, 0204, E24	0 R 115	57.60.1151	1 pce	150R	MF, 1%, 0204, E24
0 R 29	57.60.1102	1 pce	1k0	MF, 1%, 0204, E24	0 R 116	57.60.1331	1 pce	330R	MF, 1%, 0204, E24
0 R 30	57.60.1101	1 pce	100R	MF, 1%, 0204, E24	0 R 117	57.60.1331	1 pce	330R	MF, 1%, 0204, E24
0 R 31	57.60.1151	1 pce	150R	MF, 1%, 0204, E24	0 R 118	57.60.1331	1 pce	330R	MF, 1%, 0204, E24
0 R 32	57.60.1151	1 pce	150R	MF, 1%, 0204, E24	0 R 119	57.60.1331	1 pce	330R	MF, 1%, 0204, E24
0 R 33	57.60.1101	1 pce	100R	MF, 1%, 0204, E24	0 R 120	57.60.1331	1 pce	330R	MF, 1%, 0204, E24
0 R 34	57.60.1101	1 pce	100R	MF, 1%, 0204, E24	0 R 121	57.60.1331	1 pce	330R	MF, 1%, 0204, E24
0 R 35	57.60.1101	1 pce	100R	MF, 1%, 0204, E24	0 R 122	57.60.1331	1 pce	330R	MF, 1%, 0204, E24
0 R 36	57.60.1101	1 pce	100R	MF, 1%, 0204, E24	0 R 123	57.60.1331	1 pce	330R	MF, 1%, 0204, E24
0 R 37	57.60.1104	1 pce	100k	MF, 1%, 0204, E24	0 R 124	57.60.1331	1 pce	330R	MF, 1%, 0204, E24
0 R 38	57.60.1104	1 pce	100k	MF, 1%, 0204, E24	0 R 125	57.60.1561	1 pce	560R	MF, 1%, 0204, E24
0 R 39	57.60.1104	1 pce	100k	MF, 1%, 0204, E24	0 R 126	57.60.1561	1 pce	560R	MF, 1%, 0204, E24
0 R 40	57.60.1101	1 pce	100R	MF, 1%, 0204, E24	0 R 127	57.60.1561	1 pce	560R	MF, 1%, 0204, E24
0 R 41	57.60.1561	1 pce	560R	MF, 1%, 0204, E24	0 R 128	57.60.1561	1 pce	560R	MF, 1%, 0204, E24
0 R 42	57.60.1102	1 pce	1k0	MF, 1%, 0204, E24	0 R 129	57.60.1102	1 pce	1k0	MF, 1%, 0204, E24
0 R 43	57.60.1101	1 pce	100R	MF, 1%, 0204, E24	0 R 130	57.60.1102	1 pce	1k0	MF, 1%, 0204, E24
0 R 44	57.60.1101	1 pce	100R	MF, 1%, 0204, E24	0 R 131	57.60.1102	1 pce	1k0	MF, 1%, 0204, E24
0 R 45	57.60.1561	1 pce	560R	MF, 1%, 0204, E24	0 R 132	57.60.1102	1 pce	1k0	MF, 1%, 0204, E24
0 R 46	57.60.1102	1 pce	1k0	MF, 1%, 0204, E24	0 R 133	57.60.1101	1 pce	100R	MF, 1%, 0204, E24
0 R 47	57.60.1101	1 pce	100R	MF, 1%, 0204, E24	0 R 134	57.60.1101	1 pce	100R	MF, 1%, 0204, E24

Automation Control Board 1.950.818.00 (0)

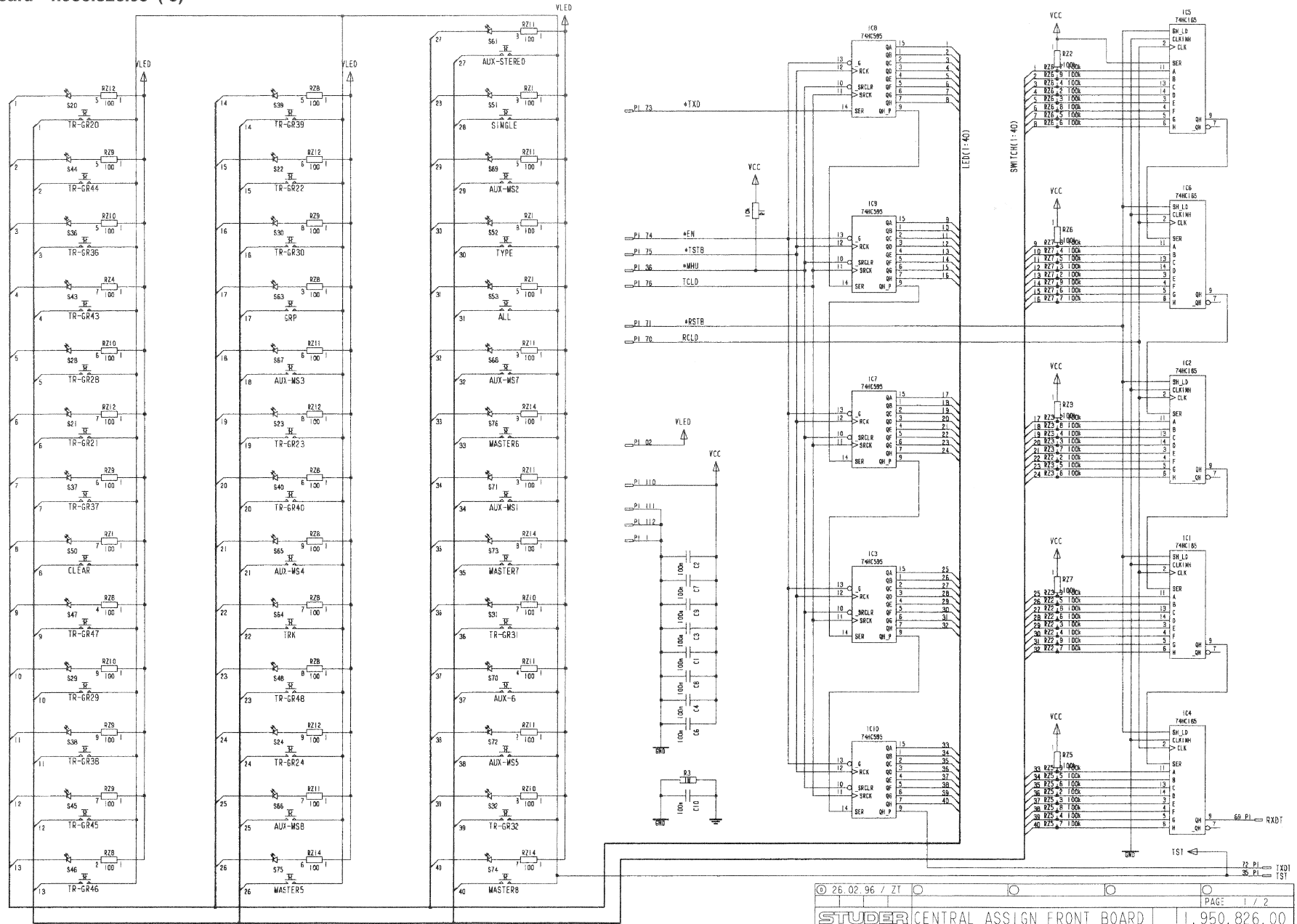
Idx. Pos.	Part No.	Qty.	Type/Val.	Description	Idx. Pos.	Part No.	Qty.	Type/Val.	Description
0	R 135	57.60.1101	1 pce	100R	MF, 1%, 0204, E24				
0	R 136	57.60.1101	1 pce	100R	MF, 1%, 0204, E24				
0	R 137	57.60.1101	1 pce	100R	MF, 1%, 0204, E24				
0	R 138	57.60.1101	1 pce	100R	MF, 1%, 0204, E24				
0	R 139	57.60.1101	1 pce	100R	MF, 1%, 0204, E24				
0	R 140	57.60.1101	1 pce	100R	MF, 1%, 0204, E24				
0	R 141	57.60.1101	1 pce	100R	MF, 1%, 0204, E24				
0	R 142	57.60.1101	1 pce	100R	MF, 1%, 0204, E24				
0	R 143	57.60.1101	1 pce	100R	MF, 1%, 0204, E24				
0	R 144	57.60.1101	1 pce	100R	MF, 1%, 0204, E24				
0	R 145	57.60.1101	1 pce	100R	MF, 1%, 0204, E24				
0	R 146	57.60.1101	1 pce	100R	MF, 1%, 0204, E24				
0	R 147	57.60.1101	1 pce	100R	MF, 1%, 0204, E24				
0	R 148	57.60.1101	1 pce	100R	MF, 1%, 0204, E24				
0	S 1	55.15.0965	1 pce	1*a	Taste, LED grün, Haube opak				
0	S 2	55.15.0952	1 pce	1*a	Taste, LED rot, Haube rot				
0	S 3	55.15.0954	1 pce	1*a	Taste, LED gelb, Haube gelb				
0	S 4	55.15.0954	1 pce	1*a	Taste, LED gelb, Haube gelb				
0	S 5	55.15.0964	1 pce	1*a	Taste, LED gelb, Haube opak				
0	S 6	55.15.0964	1 pce	1*a	Taste, LED gelb, Haube opak				
0	S 7	55.15.0964	1 pce	1*a	Taste, LED gelb, Haube opak				
0	S 8	55.15.0964	1 pce	1*a	Taste, LED gelb, Haube opak				
0	S 9	55.15.0964	1 pce	1*a	Taste, LED gelb, Haube opak				
0	S 10	55.15.0964	1 pce	1*a	Taste, LED gelb, Haube opak				
0	S 11	55.15.0954	1 pce	1*a	Taste, LED gelb, Haube gelb				
0	S 12	55.15.0952	1 pce	1*a	Taste, LED rot, Haube rot				
0	S 13	55.15.0965	1 pce	1*a	Taste, LED grün, Haube opak				
0	S 14	55.15.0952	1 pce	1*a	Taste, LED rot, Haube rot				
0	S 15	55.15.0964	1 pce	1*a	Taste, LED gelb, Haube opak				
0	S 16	55.15.0964	1 pce	1*a	Taste, LED gelb, Haube opak				
0	S 17	55.15.0964	1 pce	1*a	Taste, LED gelb, Haube opak				
0	S 18	55.15.0965	1 pce	1*a	Taste, LED grün, Haube opak				
0	S 19	55.15.0722	1 pce	1*a	Switch 12mm, red/red				
0	S 20	55.15.0755	1 pce	1*a	Switch 12mm, gm/gm				
0	S 21	55.15.0755	1 pce	1*a	Switch 12mm, gm/gm				
0	S 22	55.15.0755	1 pce	1*a	Switch 12mm, gm/gm				
0	S 23	55.15.0744	1 pce	1*a	Switch 12mm, yel/yel				
0	S 24	55.15.0704	1 pce	1*a	Switch 12mm, yel/transparent				
0	S 25	55.15.0722	1 pce	1*a	Switch 12mm, red/red				
0	S 26	55.15.0965	1 pce	1*a	Taste, LED grün, Haube opak				
0	S 27	55.15.0965	1 pce	1*a	Taste, LED grün, Haube opak				
0	S 28	55.15.0964	1 pce	1*a	Taste, LED gelb, Haube opak				
0	S 29	55.15.0964	1 pce	1*a	Taste, LED gelb, Haube opak				
0	S 30	55.15.0954	1 pce	1*a	Taste, LED gelb, Haube gelb				
0	S 31	55.15.0952	1 pce	1*a	Taste, LED rot, Haube rot				
0	S 32	55.15.0722	1 pce	1*a	Switch 12mm, red/red				
0	S 33	55.15.0755	1 pce	1*a	Switch 12mm, gm/gm				
0	S 34	55.15.0952	1 pce	1*a	Taste, LED rot, Haube rot				
0	S 35	55.15.0965	1 pce	1*a	Taste, LED grün, Haube opak				
0	S 36	55.15.0722	1 pce	1*a	Switch 12mm, red/red				
0	S 37	55.15.0744	1 pce	1*a	Switch 12mm, yel/yel				
0	S 38	55.15.0755	1 pce	1*a	Switch 12mm, gm/gm				
0	S 39	55.15.0952	1 pce	1*a	Taste, LED rot, Haube rot				
0	S 40	55.15.0952	1 pce	1*a	Taste, LED rot, Haube rot				
0	S 41	55.15.0952	1 pce	1*a	Taste, LED rot, Haube rot				
0	S 42	55.15.0965	1 pce	1*a	Taste, LED grün, Haube opak				
0	S 43	55.15.0965	1 pce	1*a	Taste, LED grün, Haube opak				
0	S 44	55.15.0965	1 pce	1*a	Taste, LED grün, Haube opak				
0	S 45	55.15.0964	1 pce	1*a	Taste, LED gelb, Haube opak				
0	S 46	55.15.0964	1 pce	1*a	Taste, LED gelb, Haube opak				
0	S 47	55.15.0954	1 pce	1*a	Taste, LED gelb, Haube gelb				
0	S 48	55.15.0964	1 pce	1*a	Taste, LED gelb, Haube opak				
0	S 49	55.15.0755	1 pce	1*a	Switch 12mm, gm/gm				
0	S 50	55.15.0722	1 pce	1*a	Switch 12mm, red/red				
0	S 51	55.15.0744	1 pce	1*a	Switch 12mm, yel/yel				
0	S 52	55.15.0704	1 pce	1*a	Switch 12mm, yel/transparent				
0	XDL 1	53.03.0218	2 pcs	1p	single-in-line				
0	XDL 2	53.03.0218	2 pcs	1p	single-in-line				
0	XDL 3	53.03.0218	2 pcs	1p	single-in-line				

End of List

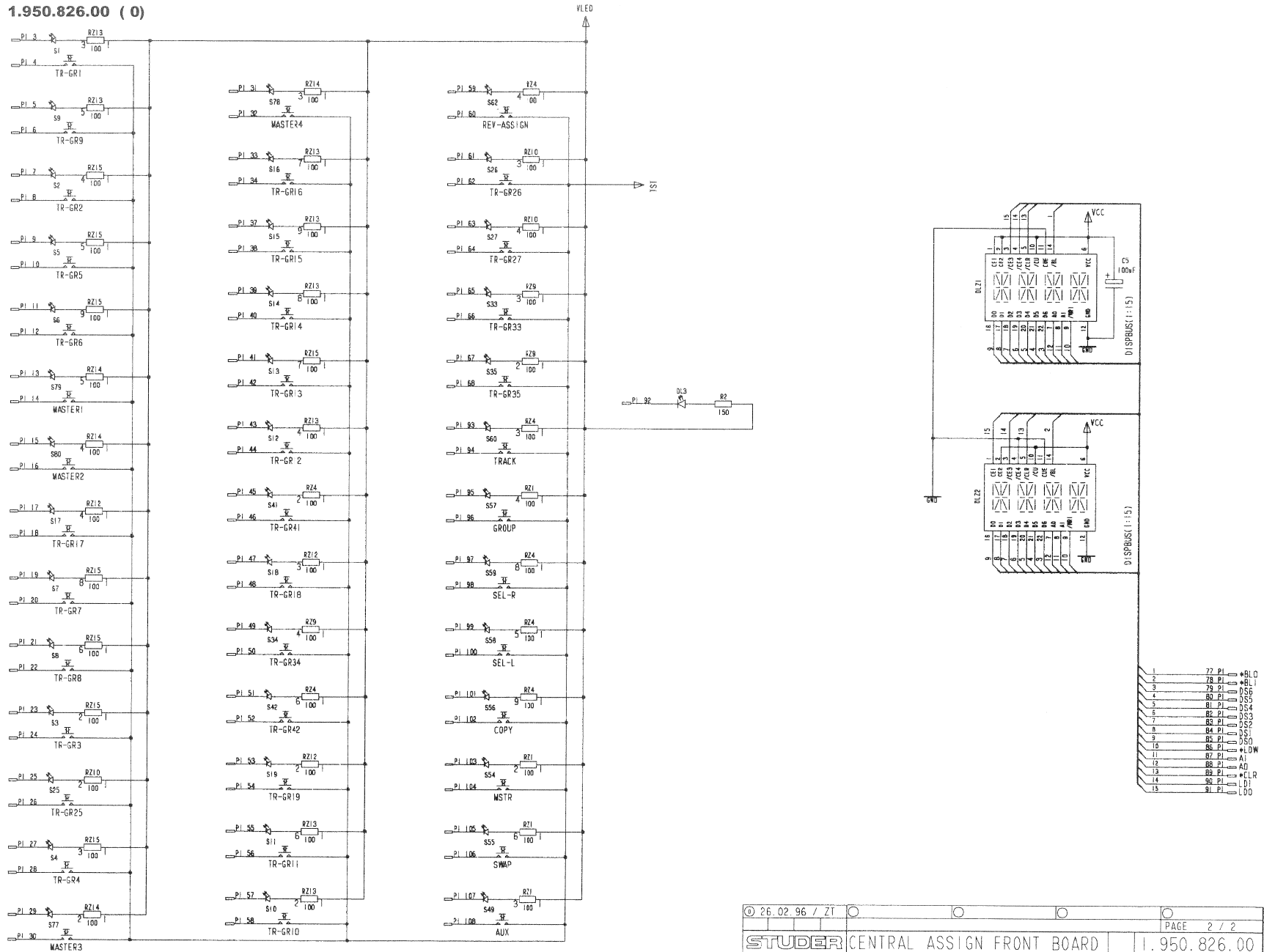
Central Assign Unit 1.950.815.00



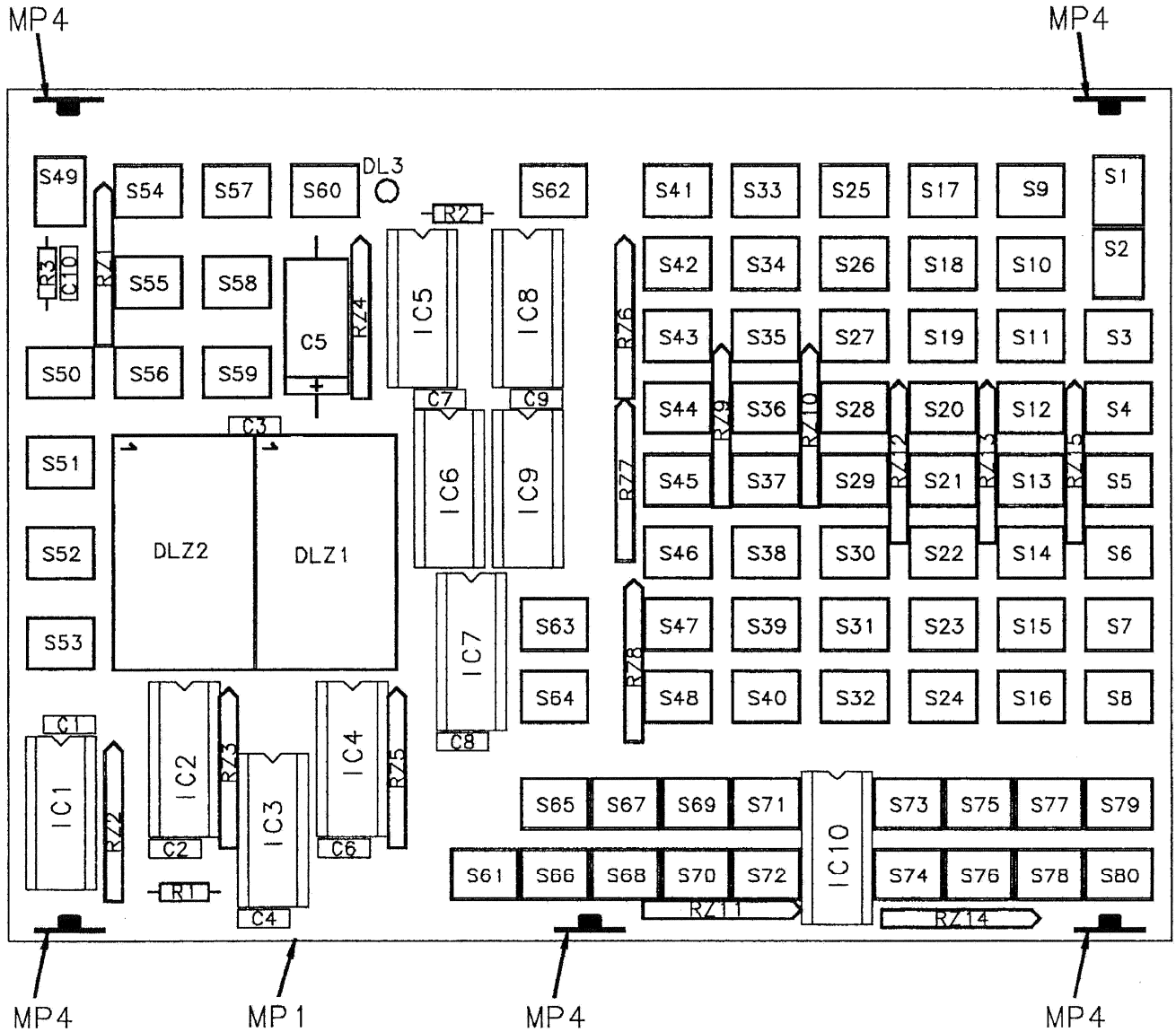
CAU Front Board 1.950.826.00 (0)



CAU Front Board 1.950.826.00 (0)



CAU Front Board 1.950.826.00 (0)



Accompanying documents: Zugehörige Unterlagen: PL	General tolerance: Freimasstoleranz: ± .	Scale: Massstab: .	Edition Ausgabe 23.02.96	ZT	<i>M</i>	<i>M</i>	⊙
Substitute for: Ersatz fuer:	Replaced by: Ersetzt durch:	Copy to: Kopie fuer:	Date Datum	Visa Gez.	Checked Gepr.	Seen Ges.	Index
STUDER REGENSDORF	Description: Benennung: CENTRAL ASSIGN FRONT BOARD 'ESE'	Number: Nummer: 1.950.826.00					

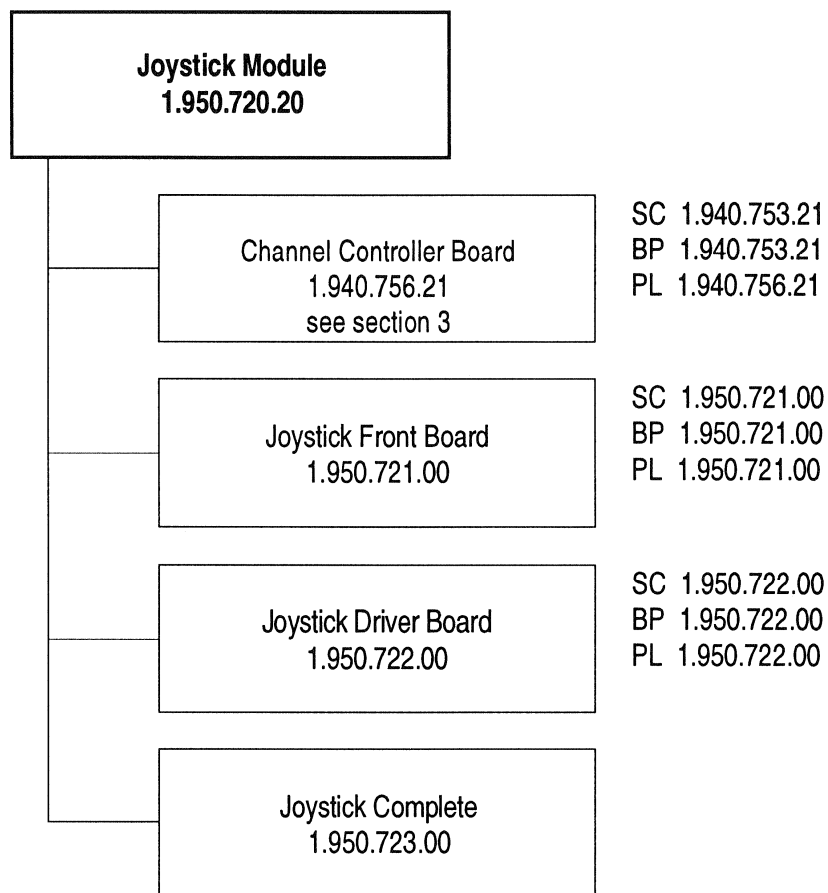
CAU Front Board 1.950.826.00 (0)

Idx. Pos.	Part No.	Qty.	Type/Val.	Description	Idx. Pos.	Part No.	Qty.	Type/Val.	Description
0 C 1	59.06.0104	100n		PETP, 63V, 10%, RM5	0 S 40	55.15.0604	1*a		Switch 5mm, yel/transparent
0 C 2	59.06.0104	100n		PETP, 63V, 10%, RM5	0 S 41	55.15.0604	1*a		Switch 5mm, yel/transparent
0 C 3	59.06.0104	100n		PETP, 63V, 10%, RM5	0 S 42	55.15.0604	1*a		Switch 5mm, yel/transparent
0 C 4	59.06.0104	100n		PETP, 63V, 10%, RM5	0 S 43	55.15.0604	1*a		Switch 5mm, yel/transparent
0 C 5	59.25.3101	100u		EL 16V 20% axial	0 S 44	55.15.0604	1*a		Switch 5mm, yel/transparent
0 C 6	59.06.0104	100n		PETP, 63V, 10%, RM5	0 S 45	55.15.0604	1*a		Switch 5mm, yel/transparent
0 C 7	59.06.0104	100n		PETP, 63V, 10%, RM5	0 S 46	55.15.0604	1*a		Switch 5mm, yel/transparent
0 C 8	59.06.0104	100n		PETP, 63V, 10%, RM5	0 S 47	55.15.0604	1*a		Switch 5mm, yel/transparent
0 C 9	59.06.0104	100n		PETP, 63V, 10%, RM5	0 S 48	55.15.0604	1*a		Switch 5mm, yel/transparent
0 C 10	59.06.0104	100n		PETP, 63V, 10%, RM5	0 S 49	55.15.0622	1*a		Switch 5mm, red/red
0 DL 3	not used	LS3360		DL LS 3360 , RT DIFF	0 S 50	55.15.0644	1*a		Switch 5mm, yel/yel
0 DLZ 1	73.01.0407	4character		5*7 Dot matrix display green	0 S 51	55.15.0655	1*a		Switch 5mm, gm/gm
0 DLZ 2	73.01.0407	4character		5*7 Dot matrix display green	0 S 52	55.15.0604	1*a		Switch 5mm, yel/transparent
0 IC 1	50.17.1165	74HC165		IC ... 74 HC 165 .. ,A	0 S 53	55.15.0605	1*a		Switch 5mm, yel/transparent
0 IC 2	50.17.1165	74HC165		IC ... 74 HC 165 .. ,A	0 S 54	55.15.0622	1*a		Switch 5mm, red/red
0 IC 3	50.17.1595	74HC595		IC ... 74 HC 595 .. ,A	0 S 55	not used			Switch 5mm, yel/yel
0 IC 4	50.17.1165	74HC165		IC ... 74 HC 165 .. ,A	0 S 56	not used			Switch 5mm, yel/transparent
0 IC 5	50.17.1165	74HC165		IC ... 74 HC 165 .. ,A	0 S 57	not used			Switch 5mm, yel/transparent
0 IC 6	50.17.1165	74HC165		IC ... 74 HC 165 .. ,A	0 S 58	55.15.0604	1*a		Switch 5mm, yel/transparent
0 IC 7	50.17.1595	74HC595		IC ... 74 HC 595 .. ,A	0 S 59	55.15.0604	1*a		Switch 5mm, yel/transparent
0 IC 8	50.17.1595	74HC595		IC ... 74 HC 595 .. ,A	0 S 60	not used			Switch 5mm, yel/transparent
0 IC 9	50.17.1595	74HC595		IC ... 74 HC 595 .. ,A	0 S 61	55.15.0644	1*a		Switch 5mm, yel/yel
0 IC 10	50.17.1595	74HC595		IC ... 74 HC 595 .. ,A	0 S 62	not used			Switch 5mm, red/red
0 MP 1	1.990.826.11			CENTRAL ASSIGN FRONT PCB	0 S 63	55.15.0604	1*a		Switch 5mm, yel/transparent
0 MP 2	1.950.826.04			NR.-ETIKETTE 5 * 20	0 S 64	55.15.0604	1*a		Switch 5mm, yel/transparent
0 MP 3	43.01.0108	Label		ESE-WARNSCHILD	0 S 65	55.15.0604	1*a		Switch 5mm, yel/transparent
0 MP 4	1.990.100.05	5 pcs		QUERPRINTHALTER	0 S 66	55.15.0604	1*a		Switch 5mm, yel/transparent
0 MP 5	not used	2 pcs		UNTERLAGE DISPLAY	0 S 67	55.15.0604	1*a		Switch 5mm, yel/transparent
0 MP 6	not used	2 pcs	1p	single-in-line	0 S 68	55.15.0604	1*a		Switch 5mm, yel/transparent
0 P 1	not used		2p	Pin, 2reihig, winkel	0 S 69	55.15.0604	1*a		Switch 5mm, yel/transparent
0 R 1	57.11.3103	10k		MF, 1%, 0207	0 S 70	55.15.0604	1*a		Switch 5mm, yel/transparent
0 R 2	57.11.3151	150R		MF, 1%, 0207	0 S 71	55.15.0604	1*a		Switch 5mm, yel/transparent
0 R 3	57.11.3105	1M0		MF, 1%, 0207	0 S 72	55.15.0604	1*a		Switch 5mm, yel/transparent
0 RZ 1	57.88.4101	100R		8*R Resistor-Netz 2% SIP9	0 S 73	55.15.0604	1*a		Switch 5mm, yel/transparent
0 RZ 2	57.88.4104	100k		8*R Resistor-Netz 2% SIP9	0 S 74	55.15.0604	1*a		Switch 5mm, yel/transparent
0 RZ 3	57.88.4104	100k		8*R Resistor-Netz 2% SIP9	0 S 75	55.15.0604	1*a		Switch 5mm, yel/transparent
0 RZ 4	57.88.4101	100R		8*R Resistor-Netz 2% SIP9	0 S 76	55.15.0604	1*a		Switch 5mm, yel/transparent
0 RZ 5	57.88.4104	100k		8*R Resistor-Netz 2% SIP9	0 S 77	55.15.0604	1*a		Switch 5mm, yel/transparent
0 RZ 6	57.88.4104	100k		8*R Resistor-Netz 2% SIP9	0 S 78	55.15.0604	1*a		Switch 5mm, yel/transparent
0 RZ 7	57.88.4104	100k		8*R Resistor-Netz 2% SIP9	0 S 79	55.15.0604	1*a		Switch 5mm, yel/transparent
0 RZ 8	57.88.4101	100R		8*R Resistor-Netz 2% SIP9	0 S 80	55.15.0604	1*a		Switch 5mm, yel/transparent
0 RZ 9	57.88.4101	100R		8*R Resistor-Netz 2% SIP9					
0 RZ 10	57.88.4101	100R		8*R Resistor-Netz 2% SIP9					
0 RZ 11	57.88.4101	100R		8*R Resistor-Netz 2% SIP9					
0 RZ 12	57.88.4101	100R		8*R Resistor-Netz 2% SIP9					
0 RZ 13	57.88.4101	100R		8*R Resistor-Netz 2% SIP9					
0 RZ 14	57.88.4101	100R		8*R Resistor-Netz 2% SIP9					
0 RZ 15	57.88.4101	100R		8*R Resistor-Netz 2% SIP9					
0 S 1	55.15.0604	1*a		Switch 5mm, yel/transparent					
0 S 2	55.15.0604	1*a		Switch 5mm, yel/transparent					
0 S 3	55.15.0604	1*a		Switch 5mm, yel/transparent					
0 S 4	55.15.0604	1*a		Switch 5mm, yel/transparent					
0 S 5	55.15.0604	1*a		Switch 5mm, yel/transparent					
0 S 6	55.15.0604	1*a		Switch 5mm, yel/transparent					
0 S 7	55.15.0604	1*a		Switch 5mm, yel/transparent					
0 S 8	55.15.0604	1*a		Switch 5mm, yel/transparent					
0 S 9	55.15.0604	1*a		Switch 5mm, yel/transparent					
0 S 10	55.15.0604	1*a		Switch 5mm, yel/transparent					
0 S 11	55.15.0604	1*a		Switch 5mm, yel/transparent					
0 S 12	55.15.0604	1*a		Switch 5mm, yel/transparent					
0 S 13	55.15.0604	1*a		Switch 5mm, yel/transparent					
0 S 14	55.15.0604	1*a		Switch 5mm, yel/transparent					
0 S 15	55.15.0604	1*a		Switch 5mm, yel/transparent					
0 S 16	55.15.0604	1*a		Switch 5mm, yel/transparent					
0 S 17	55.15.0604	1*a		Switch 5mm, yel/transparent					
0 S 18	55.15.0604	1*a		Switch 5mm, yel/transparent					
0 S 19	55.15.0604	1*a		Switch 5mm, yel/transparent					
0 S 20	55.15.0604	1*a		Switch 5mm, yel/transparent					
0 S 21	55.15.0604	1*a		Switch 5mm, yel/transparent					
0 S 22	55.15.0604	1*a		Switch 5mm, yel/transparent					
0 S 23	55.15.0604	1*a		Switch 5mm, yel/transparent					
0 S 24	55.15.0604	1*a		Switch 5mm, yel/transparent					
0 S 25	55.15.0604	1*a		Switch 5mm, yel/transparent					
0 S 26	55.15.0604	1*a		Switch 5mm, yel/transparent					
0 S 27	55.15.0604	1*a		Switch 5mm, yel/transparent					
0 S 28	55.15.0604	1*a		Switch 5mm, yel/transparent					
0 S 29	55.15.0604	1*a		Switch 5mm, yel/transparent					
0 S 30	55.15.0604	1*a		Switch 5mm, yel/transparent					
0 S 31	55.15.0604	1*a		Switch 5mm, yel/transparent					
0 S 32	55.15.0604	1*a		Switch 5mm, yel/transparent					
0 S 33	55.15.0604	1*a		Switch 5mm, yel/transparent					
0 S 34	55.15.0604	1*a		Switch 5mm, yel/transparent					
0 S 35	55.15.0604	1*a		Switch 5mm, yel/transparent					
0 S 36	55.15.0604	1*a		Switch 5mm, yel/transparent					
0 S 37	55.15.0604	1*a		Switch 5mm, yel/transparent					
0 S 38	55.15.0604	1*a		Switch 5mm, yel/transparent					
0 S 39	55.15.0604	1*a		Switch 5mm, yel/transparent					

End of List

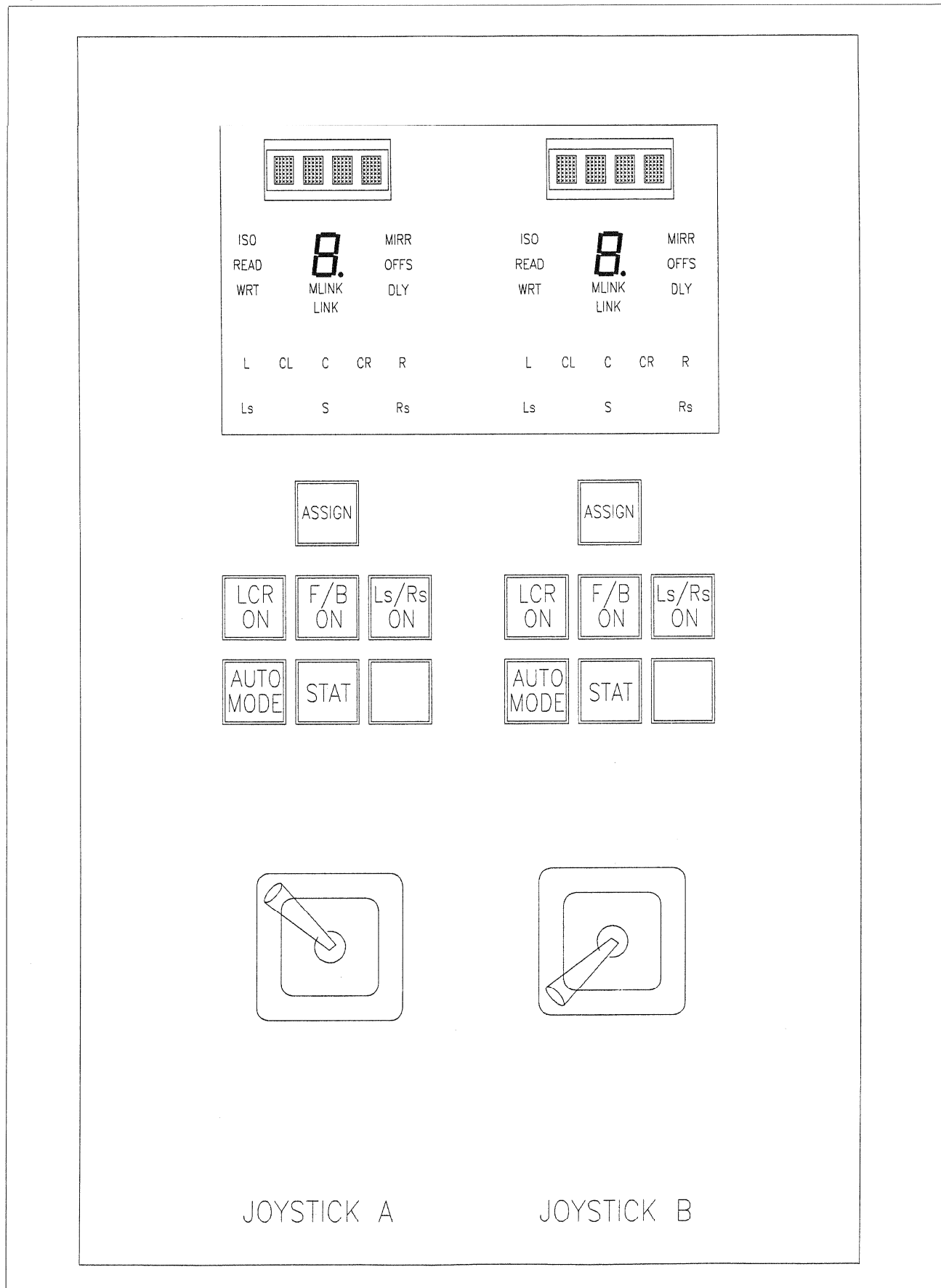
Joystick Module

I.950.720.20

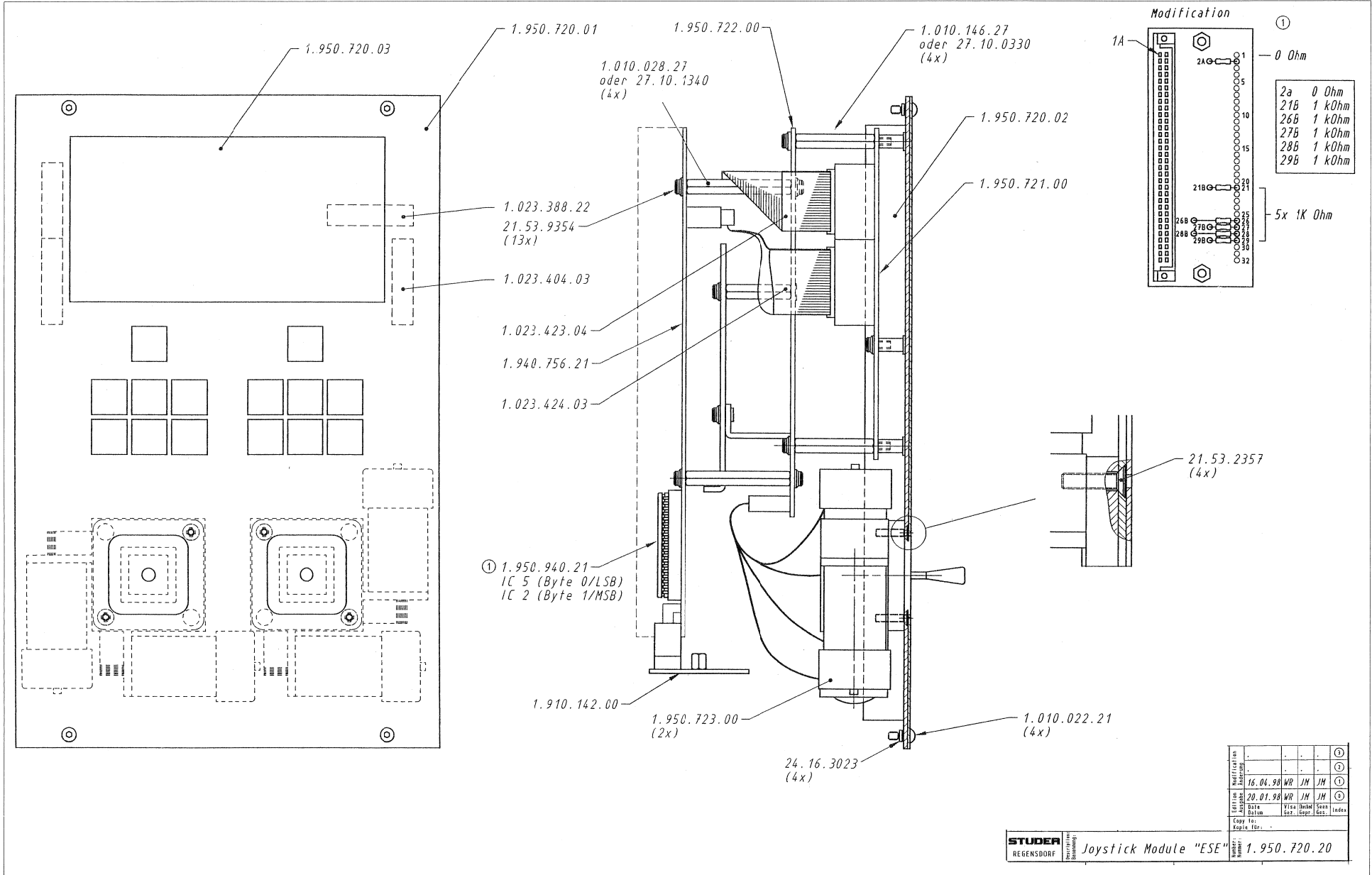


SC: Schema Circuit Diagram
BP: Bestückungsplan PCB Layout
PL: Positionsliste Positional List

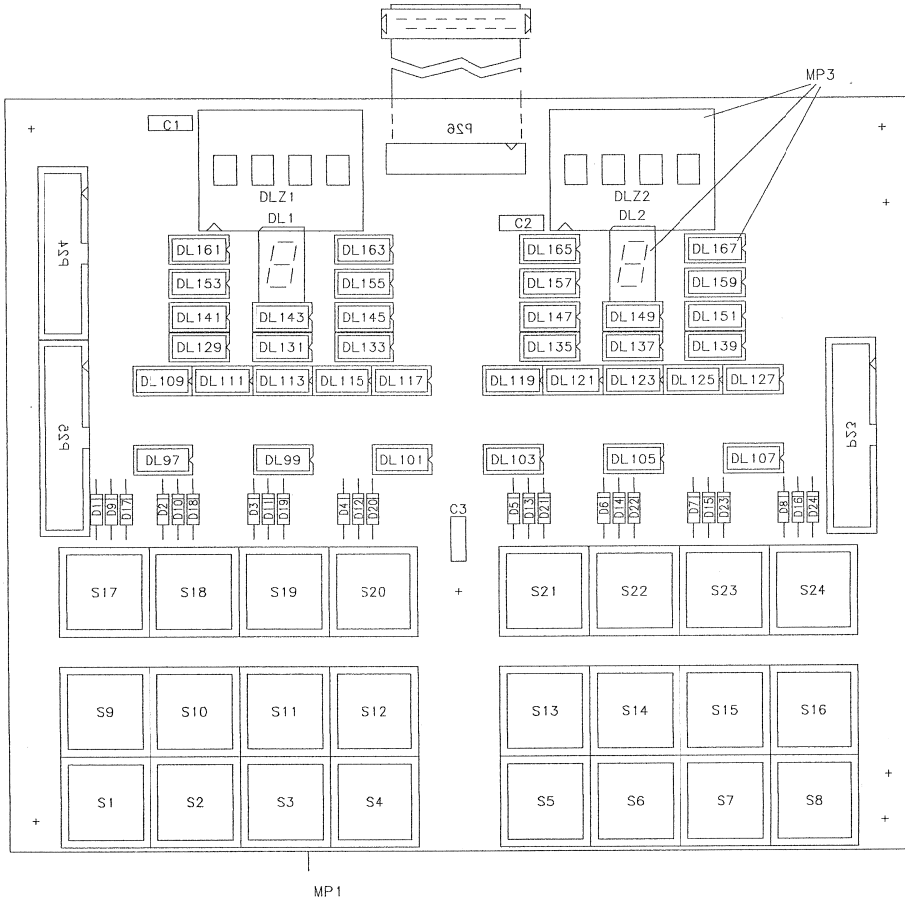
Joysticks Module I.950.720.20



Joysticks Module 1.950.720.20



Joystick Front Board 1.950.721.00



Idx.	Pos.	Part No.	Qty.	Type/Val.	Description
0	C 1	58.06.0104	100n		PETP, 63V, 10%, RM5
0	C 2	58.06.0104	100n		PETP, 63V, 10%, RM5
0	C 3	58.06.0104	100n		PETP, 63V, 10%, RM5
0	D 1	50.04.0125	1N4448	75V, 150mA, 4ns, DO-35	
0	D 2	50.04.0125	1N4448	75V, 150mA, 4ns, DO-35	
0	D 3	50.04.0125	1N4448	75V, 150mA, 4ns, DO-35	
0	D 4	50.04.0125	1N4448	75V, 150mA, 4ns, DO-35	
0	D 5	50.04.0125	1N4448	75V, 150mA, 4ns, DO-35	
0	D 6	50.04.0125	1N4448	75V, 150mA, 4ns, DO-35	
0	D 7	50.04.0125	1N4448	75V, 150mA, 4ns, DO-35	
0	D 8	50.04.0125	1N4448	75V, 150mA, 4ns, DO-35	
0	D 9	50.04.0125	1N4448	75V, 150mA, 4ns, DO-35	
0	D 10	50.04.0125	1N4448	75V, 150mA, 4ns, DO-35	
0	D 11	50.04.0125	1N4448	75V, 150mA, 4ns, DO-35	
0	D 12	50.04.0125	1N4448	75V, 150mA, 4ns, DO-35	
0	D 13	50.04.0125	1N4448	75V, 150mA, 4ns, DO-35	
0	D 14	50.04.0125	1N4448	75V, 150mA, 4ns, DO-35	
0	D 15	50.04.0125	1N4448	75V, 150mA, 4ns, DO-35	
0	D 16	50.04.0125	1N4448	75V, 150mA, 4ns, DO-35	
0	D 17	50.04.0125	1N4448	75V, 150mA, 4ns, DO-35	
0	D 18	50.04.0125	1N4448	75V, 150mA, 4ns, DO-35	
0	D 19	50.04.0125	1N4448	75V, 150mA, 4ns, DO-35	
0	D 20	50.04.0125	1N4448	75V, 150mA, 4ns, DO-35	
0	D 21	50.04.0125	1N4448	75V, 150mA, 4ns, DO-35	
0	D 22	50.04.0125	1N4448	75V, 150mA, 4ns, DO-35	
0	D 23	50.04.0125	1N4448	75V, 150mA, 4ns, DO-35	
0	D 24	50.04.0125	1N4448	75V, 150mA, 4ns, DO-35	
0	DL 1	73.01.0134	7-SEG	7-SEGM ANZEIGE LED GN 7.6 MM	
0	DL 2	73.01.0134	7-SEG	7-SEGM ANZEIGE LED GN 7.6 MM	
0	DL 97	50.04.2804	2*yel	2*LED Bar gelb	
0	DL 98	50.04.2804	2*yel	2*LED Bar gelb	
0	DL 101	50.04.2804	2*yel	2*LED Bar gelb	
0	DL 103	50.04.2804	2*yel	2*LED Bar gelb	
0	DL 105	50.04.2804	2*yel	2*LED Bar gelb	
0	DL 107	50.04.2804	2*yel	2*LED Bar gelb	
0	DL 109	50.04.2804	2*yel	2*LED Bar gelb	
0	DL 111	50.04.2804	2*yel	2*LED Bar gelb	
0	DL 113	50.04.2804	2*yel	2*LED Bar gelb	
0	DL 115	50.04.2804	2*yel	2*LED Bar gelb	
0	DL 117	50.04.2804	2*yel	2*LED Bar gelb	
0	DL 119	50.04.2804	2*yel	2*LED Bar gelb	
0	DL 121	50.04.2804	2*yel	2*LED Bar gelb	
0	DL 123	50.04.2804	2*yel	2*LED Bar gelb	
0	DL 125	50.04.2804	2*yel	2*LED Bar gelb	
0	DL 127	50.04.2804	2*yel	2*LED Bar gelb	
0	DL 129		not used	2*yel	2*LED Bar gelb
0	DL 131	50.04.2804	2*yel	2*LED Bar gelb	
0	DL 133		not used	2*yel	2*LED Bar gelb
0	DL 135		not used	2*yel	2*LED Bar gelb
0	DL 137	50.04.2804	2*yel	2*LED Bar gelb	
0	DL 139		not used	2*yel	2*LED Bar gelb
0	DL 141	50.04.2803	2*grn	2*LED Bar grün	
0	DL 143	50.04.2805	2*red	2*LED Bar rot	
0	DL 145	50.04.2804	2*yel	2*LED Bar gelb	
0	DL 147	50.04.2803	2*grn	2*LED Bar grün	
0	DL 149	50.04.2805	2*red	2*LED Bar rot	
0	DL 151	50.04.2804	2*yel	2*LED Bar gelb	
0	DL 153	50.04.2805	2*red	2*LED Bar rot	
0	DL 155	50.04.2804	2*yel	2*LED Bar gelb	
0	DL 157	50.04.2805	2*red	2*LED Bar rot	
0	DL 159	50.04.2804	2*yel	2*LED Bar gelb	
0	DL 161	50.04.2804	2*yel	2*LED Bar gelb	
0	DL 163	50.04.2804	2*yel	2*LED Bar gelb	
0	DL 165	50.04.2804	2*yel	2*LED Bar gelb	
0	DL 167	50.04.2804	2*yel	2*LED Bar gelb	
0	DLZ 1	73.01.0405	4digit	5*7 Dot matrix display	
0	DLZ 2	73.01.0405	4digit	5*7 Dot matrix display	
0	MP 1	1.950.721.11		JOYSTICK FRONT PCB	
0	MP 2	1.950.721.04		NR-ETIKETTE 6 * 20	
0	MP 3	52.03.0218	168 pc 1p	single-in-line	
0	P 23	54.16.0540	40p	P 1/40", 40 P, AU, PRINT	
0	P 24	54.16.0534	34p	P 1/40", 34 P, AU, PRINT	
0	P 25	54.16.0540	40p	P 1/40", 40 P, AU, PRINT	
0	P 26	1.023.381.02		FLACHKABEL 16 POL. 0.08M	
0	S 1		not used	1*a	S TASTE 1*A, 12MM, GB/TRANS
0	S 2	55.15.0704	1*a		S TASTE 1*A, 12MM, GB/TRANS
0	S 3	55.15.0704	1*a		S TASTE 1*A, 12MM, GB/TRANS
0	S 4	55.15.0704	1*a		S TASTE 1*A, 12MM, GB/TRANS
0	S 5	55.15.0704	1*a		S TASTE 1*A, 12MM, GB/TRANS
0	S 6	55.15.0704	1*a		S TASTE 1*A, 12MM, GB/TRANS
0	S 7	55.15.0704	1*a		S TASTE 1*A, 12MM, GB/TRANS
0	S 8		not used	1*a	S TASTE 1*A, 12MM, GB/TRANS

Idx.	Pos.	Part No.	Qty.	Type/Val.	Description
0	S 9		not used	1*a	S TASTE 1*A, 12MM, GB/TRANS
0	S 10	55.15.0704	1*a		S TASTE 1*A, 12MM, GB/TRANS
0	S 11	55.15.0704	1*a		S TASTE 1*A, 12MM, GB/TRANS
0	S 12	55.15.0704	1*a		S TASTE 1*A, 12MM, GB/TRANS
0	S 13	55.15.0704	1*a		S TASTE 1*A, 12MM, GB/TRANS
0	S 14	55.15.0704	1*a		S TASTE 1*A, 12MM, GB/TRANS
0	S 15	55.15.0704	1*a		S TASTE 1*A, 12MM, GB/TRANS
0	S 16		not used	1*a	S TASTE 1*A, 12MM, GB/TRANS
0	S 17		not used	1*a	S TASTE 1*A, 12MM, GB/TRANS
0	S 18		not used	1*a	S TASTE 1*A, 12MM, GB/TRANS
0	S 19	55.15.0704	1*a		S TASTE 1*A, 12MM, GB/TRANS
0	S 20		not used	1*a	S TASTE 1*A, 12MM, GB/TRANS
0	S 21		not used	1*a	S TASTE 1*A, 12MM, GB/TRANS
0	S 22	55.15.0704	1*a		S TASTE 1*A, 12MM, GB/TRANS
0	S 23		not used	1*a	S TASTE 1*A, 12MM, GB/TRANS
0	S 24		not used	1*a	S TASTE 1*A, 12MM, GB/TRANS

End of List

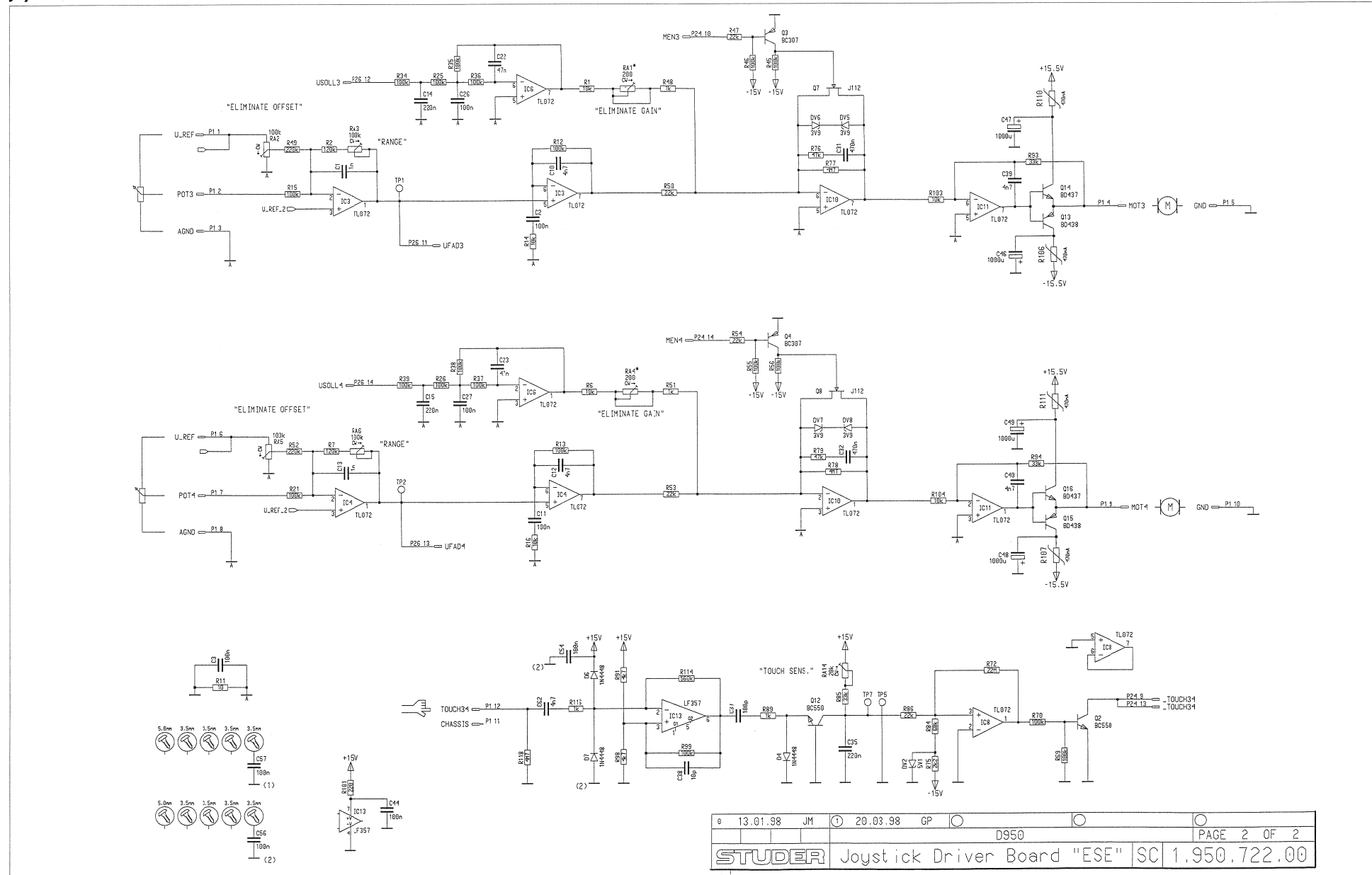
Comments

Entwurf	20.11.97	AF					
Gezeichnet							
Geprüft							
Freigegeben							

STUDER REGENSDORF JOYSTICK FRONT BOARD 1.950.721.00



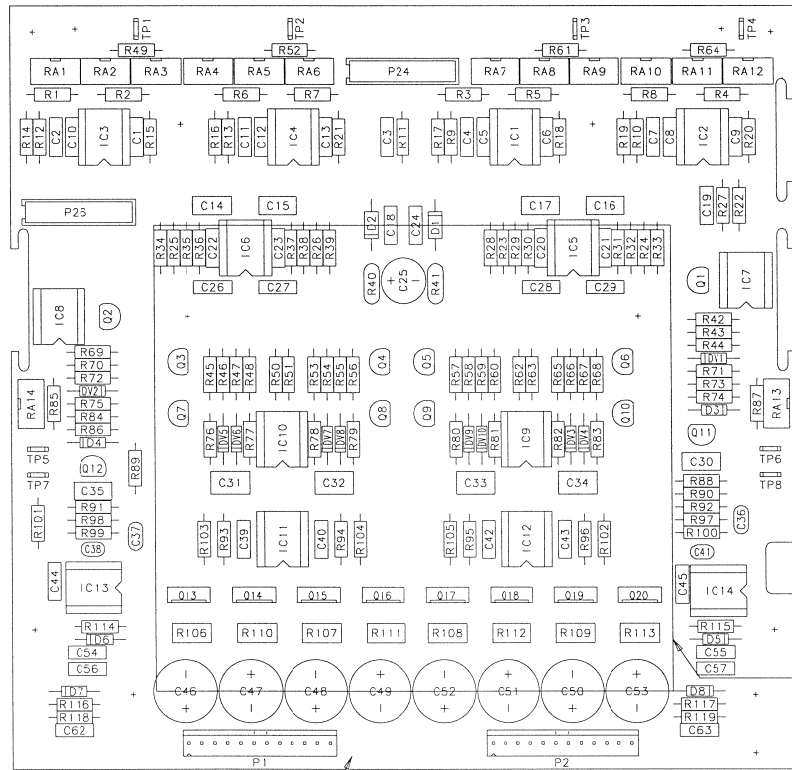
Joystick Driver Board 1.950.722.00



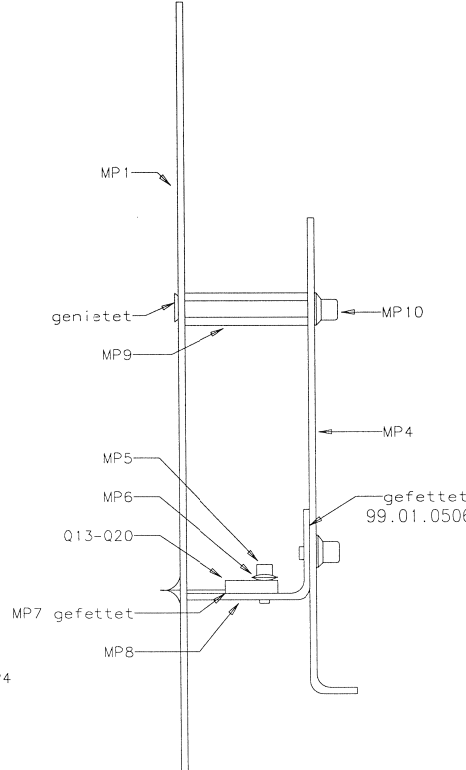
13.01.98	JM	20.03.98	GP	D950	PAGE 2 OF 2
STUDER		Joystick Driver Board "ESE" SC 1.950.722.00			



Joystick Driver Board 1.950.722.00



① R105-R113 und C46-C53 verschoben



Idx.	Pos.	Part No.	Qty.	Type/Val.	Description
0	C 1	59.06.0102	1n0		PETP, 63V, 10%, RM5
0	C 2	59.06.0104	100n		PETP, 63V, 10%, RM5
0	C 3	59.06.0402	100n		PETP, 63V, 10%, RM5
0	C 4	59.06.0104	100n		PETP, 63V, 10%, RM5
0	C 5	59.06.0472	4n7		PETP, 63V, 10%, RM5
0	C 6	59.06.0102	1n0		PETP, 63V, 10%, RM5
0	C 7	59.06.0104	100n		PETP, 63V, 10%, RM5
0	C 8	59.06.0472	4n7		PETP, 63V, 10%, RM5
0	C 9	59.06.0102	1n0		PETP, 63V, 10%, RM5
0	C 10	59.06.0472	4n7		PETP, 63V, 10%, RM5
0	C 11	59.06.0104	100n		PETP, 63V, 10%, RM5
0	C 12	59.06.0472	4n7		PETP, 63V, 10%, RM5
0	C 13	59.06.0102	1n0		PETP, 63V, 10%, RM5
0	C 14	59.06.0224	220n		PETP, 63V, 10%, RM5
0	C 15	59.06.0224	220n		PETP, 63V, 10%, RM5
0	C 16	59.06.0224	220n		PETP, 63V, 10%, RM5
0	C 17	59.06.0224	220n		PETP, 63V, 10%, RM5
0	C 18	59.06.0104	100n		PETP, 63V, 10%, RM5
0	C 19	59.06.0104	100n		PETP, 63V, 10%, RM5
0	C 20	59.06.0473	47n		PETP, 63V, 10%, RM5
0	C 21	59.06.0473	47n		PETP, 63V, 10%, RM5
0	C 22	59.06.0473	47n		PETP, 63V, 10%, RM5
0	C 23	59.06.0473	47n		PETP, 63V, 10%, RM5
0	C 24	59.06.0104	100n		PETP, 63V, 10%, RM5
0	C 25	59.22.6470	47u		EL 40V, 20%, RM5
0	C 26	59.06.0104	100n		PETP, 63V, 10%, RM5
0	C 27	59.06.0104	100n		PETP, 63V, 10%, RM5
0	C 28	59.06.0104	100n		PETP, 63V, 10%, RM5
0	C 28	59.06.0104	100n		PETP, 63V, 10%, RM5
0	C 30	59.06.0224	220n		PETP, 63V, 10%, RM5
0	C 31	59.06.0474	470n		PETP, 63V, 10%, RM5
0	C 32	59.06.0474	470n		PETP, 63V, 10%, RM5
0	C 33	59.06.0474	470n		PETP, 63V, 10%, RM5
0	C 34	59.06.0474	470n		PETP, 63V, 10%, RM5
0	C 35	59.06.0224	220n		PETP, 63V, 10%, RM5
0	C 36	59.34.4101	100p		CER 63V, 5%, N750
0	C 37	59.34.4101	100p		CER 63V, 5%, N750
0	C 38	59.34.1100	10p		CER 63V, 5%, NP 0
0	C 39	59.06.5472	4n7		PETP, 63V, 5%, RM5
0	C 40	59.06.5472	4n7		PETP, 63V, 5%, RM5
0	C 41	59.34.1100	10p		CER 63V, 5%, NP 0
0	C 42	59.06.5472	4n7		PETP, 63V, 5%, RM5
0	C 43	59.06.5472	4n7		PETP, 63V, 5%, RM5
0	C 44	59.06.0104	100n		PETP, 63V, 10%, RM5
0	C 45	59.06.0104	100n		PETP, 63V, 10%, RM5
0	C 46	59.22.4102	1m		EL 16V, 20%, RM5
0	C 47	59.22.4102	1m		EL 16V, 20%, RM5
0	C 48	59.22.4102	1m		EL 16V, 20%, RM5
0	C 49	59.22.4102	1m		EL 16V, 20%, RM5
0	C 50	59.22.4102	1m		EL 16V, 20%, RM5
0	C 51	59.22.4102	1m		EL 16V, 20%, RM5
0	C 52	59.22.4102	1m		EL 16V, 20%, RM5
0	C 53	59.22.4102	1m		EL 16V, 20%, RM5
0	C 54	59.06.0104	100n		PETP, 63V, 10%, RM5
0	C 55	59.06.0104	100n		PETP, 63V, 10%, RM5
0	C 56	59.06.0104	100n		PETP, 63V, 10%, RM5
0	C 57	59.06.0104	100n		PETP, 63V, 10%, RM5
0	C 58	not used	220n		PETP, 63V, 10%, RM5
0	C 59	not used	220n		PETP, 63V, 10%, RM5
0	C 60	not used	220n		PETP, 63V, 10%, RM5
0	C 61	not used	220n		PETP, 63V, 10%, RM5
0	C 62	59.06.0472	4n7		PETP, 63V, 10%, RM5
0	C 63	59.06.0472	4n7		PETP, 63V, 10%, RM5
0	D 1	50.04.0512	1N5819		D 1N 5818, 1N 5819,
0	D 2	50.04.0512	1N5818		D 1N 5818, 1N 5819,
0	D 3	50.04.0125	1N4448		75V, 150mA, 4ns, DO-35
0	D 4	50.04.0125	1N4448		75V, 150mA, 4ns, DO-35
0	D 5	50.04.0125	1N4448		75V, 150mA, 4ns, DO-35
0	D 6	50.04.0125	1N4448		75V, 150mA, 4ns, DO-35
0	D 7	50.04.0125	1N4448		75V, 150mA, 4ns, DO-35
0	D 8	50.04.0125	1N4448		75V, 150mA, 4ns, DO-35
0	DV 1	50.04.1112	5V1		Zener, 5%, 0,5W, DO-35
0	DV 2	50.04.1112	5V1		Zener, 5%, 0,5W, DO-35
0	DV 3	50.04.1101	3V9		Zener, 5%, 0,5W, DO-35
0	DV 4	50.04.1101	3V9		Zener, 5%, 0,5W, DO-35
0	DV 5	50.04.1101	3V9		Zener, 5%, 0,5W, DO-35
0	DV 6	50.04.1101	3V9		Zener, 5%, 0,5W, DO-35
0	DV 7	50.04.1101	3V9		Zener, 5%, 0,5W, DO-35
0	DV 8	50.04.1101	3V9		Zener, 5%, 0,5W, DO-35
0	DV 9	50.04.1101	3V9		Zener, 5%, 0,5W, DO-35
0	DV 10	50.04.1101	3V9		Zener, 5%, 0,5W, DO-35

Ex. Nr.	20	03	98	AF	67	78			
Abgabe									
Best.									
Bottom									
Yves									
Dokst									
Seem									
Exp.									
Gez.									
index									

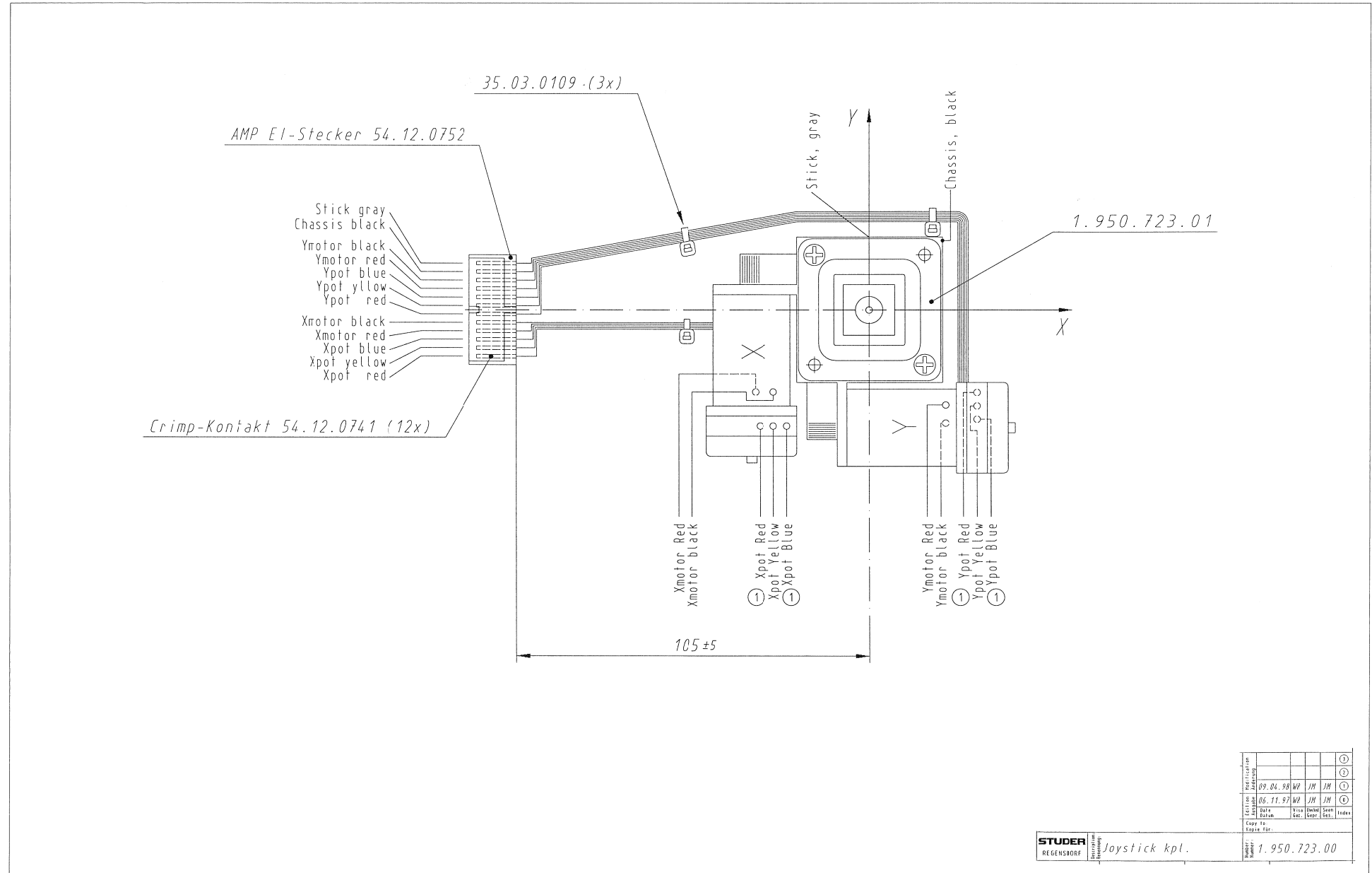
STUDER
REGELSDORF
Joystick Driver Board, ESE
1.950.722.00



Joystick Driver Board 1.950.722.00

Idx.	Pos.	Part No.	Qty.	Type/Val.	Description	Idx.	Pos.	Part No.	Qty.	Type/Val.	Description	Idx.	Pos.	Part No.	Qty.	Type/Val.	Description
0	IC 1	50.09.0101		TL072	IC TL 072 CN ,A	0	R 33	57.11.3104	100k	MF, 1%, 0207	0	R 117	57.11.3102	1k0	MF, 1%, 0207		
0	IC 2	50.09.0101		TL072	IC TL 072 CN ,A	0	R 34	57.11.3104	100k	MF, 1%, 0207	0	R 118	57.11.8475	4M7	MF, 5%, 0207		
0	IC 3	50.09.0101		TL072	IC TL 072 CN ,A	0	R 35	57.11.3104	100k	MF, 1%, 0207	0	R 119	57.11.8475	4M7	MF, 5%, 0207		
0	IC 4	50.09.0101		TL072	IC TL 072 CN ,A	0	R 36	57.11.3104	100k	MF, 1%, 0207	0	R 120	not used	1R0	MF, 1%, 0207		
0	IC 5	50.09.0101		TL072	IC TL 072 CN ,A	0	R 37	57.11.3104	100k	MF, 1%, 0207	0	R 121	not used	1R0	MF, 1%, 0207		
0	IC 6	50.09.0101		TL072	IC TL 072 CN ,A	0	R 38	57.11.3104	100k	MF, 1%, 0207	0	R 122	not used	1R0	MF, 1%, 0207		
0	IC 7	50.09.0101		TL072	IC TL 072 CN ,A	0	R 39	57.11.3104	100k	MF, 1%, 0207	0	R 123	not used	1R0	MF, 1%, 0207		
0	IC 8	50.09.0101		TL072	IC TL 072 CN ,A	0	R 40	57.92.7013	0.5A	POLY- PTC, 60V							
0	IC 9	50.09.0101		TL072	IC TL 072 CN ,A	0	R 41	57.92.7013	0.5A	POLY- PTC, 60V							
0	IC 10	50.09.0101		TL072	IC TL 072 CN ,A	0	R 42	57.11.3104	100k	MF, 1%, 0207	0	RA 1	not used	200R	Cermet, 10%, 0.5W, vertical		
0	IC 11	50.09.0101		TL072	IC TL 072 CN ,A	0	R 43	57.11.3104	100k	MF, 1%, 0207	0	RA 2	58.01.9104	100k	Cermet, 10%, 0.5W, vertical		
0	IC 12	50.09.0101		TL072	IC TL 072 CN ,A	0	R 44	57.11.8228	22M	MF, 10%, 0207	0	RA 3	58.01.9104	100k	Cermet, 10%, 0.5W, vertical		
0	IC 13	50.09.0102		LF357N	Op-Amp single, biFET, DIP 8	0	R 45	57.11.3104	100k	MF, 1%, 0207	0	RA 4	not used	200R	Cermet, 10%, 0.5W, vertical		
0	IC 14	50.09.0102		LF357N	Op-Amp single, biFET, DIP 8	0	R 46	57.11.3104	100k	MF, 1%, 0207	0	RA 5	58.01.9104	100k	Cermet, 10%, 0.5W, vertical		
0	MP 1	1.950.722.11	1 pce		DRIVER PCB	0	R 47	57.11.3223	22k	MF, 1%, 0207	0	RA 6	58.01.9104	100k	Cermet, 10%, 0.5W, vertical		
0	MP 2	1.950.722.04	1 pce		NR, ETIKETTE 5 * 20	0	R 48	57.11.3102	1k0	MF, 1%, 0207	0	RA 7	not used	200R	Cermet, 10%, 0.5W, vertical		
0	MP 3	43.01.0108	1 pce	Label	ESE-WARNSCHILD	1	R 49	57.11.3224	220k	MF, 1%, 0207	0	RA 8	58.01.9104	100k	Cermet, 10%, 0.5W, vertical		
0	MP 4	1.950.722.02	1 pce		Kühlblech	0	R 50	57.11.3223	22k	MF, 1%, 0207	0	RA 9	58.01.9104	100k	Cermet, 10%, 0.5W, vertical		
0	MP 5	21.53.9354	8 pcs	M3*8	Z-Schraube Inbus Zn gb chr	0	R 51	57.11.3102	1k0	MF, 1%, 0207	0	RA 10	not used	200R	Cermet, 10%, 0.5W, vertical		
0	MP 6	37.01.0101	16 pcs	3/28 0*0.3	Tellerfeder	0	R 52	57.11.3224	220k	MF, 1%, 0207	0	RA 11	58.01.9104	100k	Cermet, 10%, 0.5W, vertical		
0	MP 7	50.20.0310	8 pcs		TO 126 Glimmerscheibe gefaltet	0	R 53	57.11.3223	22k	MF, 1%, 0207	0	RA 12	58.01.9104	100k	Cermet, 10%, 0.5W, vertical		
0	MP 8	1.950.722.01	1 pce		Kühlblech	0	R 54	57.11.3223	22k	MF, 1%, 0207	0	RA 13	58.01.9203	20k	Cermet, 10%, 0.5W, vertical		
0	MP 9	1.010.022.22	2 pcs		NIETMUTTER SW 6 M 3 * 25	0	R 55	57.11.3104	100k	MF, 1%, 0207	0	RA 14	58.01.9203	20k	Cermet, 10%, 0.5W, vertical		
0	MP 10	21.53.9354	5 pcs	M3*8	Z-Schraube Inbus-Ripp Zn gb chr	0	R 56	57.11.3104	100k	MF, 1%, 0207	0	TP 1	54.02.0320	1p	Flatpin, 2.8*0.8mm		
0	P 1	54.12.0712	12p		Stecker gerade PCB	0	R 57	57.11.3104	100k	MF, 1%, 0207	0	TP 2	54.02.0320	1p	Flatpin, 2.8*0.8mm		
0	P 2	54.12.0712	12p		Stecker gerade PCB	0	R 58	57.11.3104	100k	MF, 1%, 0207	0	TP 3	54.02.0320	1p	Flatpin, 2.8*0.8mm		
0	P 24	54.14.5518	18p		PCB-Buchse gerade	0	R 59	57.11.3223	22k	MF, 1%, 0207	0	TP 4	54.02.0320	1p	Flatpin, 2.8*0.8mm		
0	P 28	54.14.5518	18p		PCB-Buchse gerade	0	R 60	57.11.3102	1k0	MF, 1%, 0207	0	TP 5	54.02.0320	1p	Flatpin, 2.8*0.8mm		
0	Q 1	50.03.0407		BC550C	BC 550 C	1	R 81	57.11.3224	220k	MF, 1%, 0207	0	TP 6	54.02.0320	1p	Flatpin, 2.8*0.8mm		
0	Q 2	50.03.0407		BC550C	BC 550 C	0	R 82	57.11.3223	22k	MF, 1%, 0207	0	TP 7	54.02.0320	1p	Flatpin, 2.8*0.8mm		
0	Q 3	50.03.0515		BC307B	BC 307 B, BC 557 B ,PNP	0	R 83	57.11.3102	1k0	MF, 1%, 0207	0	TP 8	54.02.0320	1p	Flatpin, 2.8*0.8mm		
0	Q 4	50.03.0515		BC307B	BC 307 B, BC 557 B ,PNP	0	R 84	57.11.3224	220k	MF, 1%, 0207	0	XIC 1	53.03.0166	8p	DIL 0.3", lot, gerade		
0	Q 5	50.03.0515		BC307B	BC 307 B, BC 557 B ,PNP	0	R 85	57.11.3223	22k	MF, 1%, 0207	0	XIC 2	53.03.0166	8p	DIL 0.3", lot, gerade		
0	Q 6	50.03.0515		BC307B	BC 307 B, BC 557 B ,PNP	0	R 86	57.11.3104	100k	MF, 1%, 0207	0	XIC 3	53.03.0166	8p	DIL 0.3", lot, gerade		
0	Q 7	50.03.0350		J-112	J-112	0	R 87	57.11.3104	100k	MF, 1%, 0207	0	XIC 4	53.03.0166	8p	DIL 0.3", lot, gerade		
0	Q 8	50.03.0350		J-112	J-112	0	R 88	57.11.3104	100k	MF, 1%, 0207	0	XIC 5	53.03.0166	8p	DIL 0.3", lot, gerade		
0	Q 9	50.03.0350		J-112	J-112	0	R 70	57.11.3104	100k	MF, 1%, 0207	0	XIC 6	53.03.0166	8p	DIL 0.3", lot, gerade		
0	Q 10	50.03.0350		J-112	J-112	0	R 71	57.11.3222	22k	MF, 1%, 0207	0	XIC 7	53.03.0166	8p	DIL 0.3", lot, gerade		
0	Q 11	50.03.0407		BC550C	BC 550 C	0	R 72	57.11.8228	20M	MF, 10%, 0207	0	XIC 8	53.03.0166	8p	DIL 0.3", lot, gerade		
0	Q 12	50.03.0407		BC550C	BC 550 C	0	R 73	57.11.3683	68k	MF, 1%, 0207	0	XIC 9	53.03.0166	8p	DIL 0.3", lot, gerade		
0	Q 13	50.03.0753		BD437	BD 437	0	R 74	57.11.3223	22k	MF, 1%, 0207	0	XIC 10	53.03.0166	8p	DIL 0.3", lot, gerade		
0	Q 14	50.03.0493		BD437	BD 437	0	R 75	57.11.3222	2k2	MF, 1%, 0207	0	XIC 11	53.03.0166	8p	DIL 0.3", lot, gerade		
0	Q 15	50.03.0753		BD437	BD 437	0	R 76	57.11.3473	47k	MF, 1%, 0207	0	XIC 12	53.03.0166	8p	DIL 0.3", lot, gerade		
0	Q 16	50.03.0493		BD437	BD 437	1	R 77	57.11.8475	4M7	MF, 5%, 0207	0	XIC 13	53.03.0166	8p	DIL 0.3", lot, gerade		
0	Q 17	50.03.0753		BD437	BD 437	1	R 78	57.11.8475	4M7	MF, 5%, 0207	0	XIC 14	53.03.0166	8p	DIL 0.3", lot, gerade		
0	Q 18	50.03.0493		BD437	BD 437	0	R 79	57.11.3473	47k	MF, 1%, 0207							
0	Q 19	50.03.0753		BD437	BD 437	0	R 80	57.11.3473	47k	MF, 1%, 0207							
0	Q 20	50.03.0493		BD437	BD 437	1	R 81	57.11.8475	4M7	MF, 5%, 0207							
0	R 1	57.11.3103	10k		MF, 1%, 0207	0	R 82	57.11.8475	4M7	MF, 5%, 0207							
0	R 2	57.11.3124	120k		MF, 1%, 0207	0	R 83	57.11.3473	47k	MF, 1%, 0207							
0	R 3	57.11.3103	10k		MF, 1%, 0207	0	R 84	57.11.3883	68k	MF, 1%, 0207							
0	R 4	57.11.3124	120k		MF, 1%, 0207	0	R 85	57.11.3333	33k	MF, 1%, 0207							
0	R 5	57.11.3124	120k		MF, 1%, 0207	0	R 86	57.11.3223	22k	MF, 1%, 0207							
0	R 6	57.11.3103	10k		MF, 1%, 0207	0	R 87	57.11.3333	33k	MF, 1%, 0207							
0	R 7	57.11.3124	120k		MF, 1%, 0207	0	R 88	57.11.8475	4M7	MF, 5%, 0207							
0	R 8	57.11.3103	10k		MF, 1%, 0207	0	R 89	57.11.3102	1k0	MF, 1%, 0207							
0	R 9	57.11.3104	100k		MF, 1%, 0207	0	R 90	57.11.3221	220R	MF, 1%, 0207							
0	R 10	57.11.3104	100k		MF, 1%, 0207	0	R 91	57.11.3472	4k7	MF, 1%, 0207							
0	R 11	57.11.3100	10k		MF, 1%, 0207	0	R 92	57.11.3472	4k7	MF, 1%, 0207							
0	R 12	57.11.3104	100k		MF, 1%, 0207	0	R 93	57.11.3333	33k	MF, 1%, 0207							
0	R 13	57.11.3104	100k		MF, 1%, 0207	0	R 94	57.11.3333	33k	MF, 1%, 0207							
0	R 14	57.11.3103	10k		MF, 1%, 0207	0	R 95	57.11.3333	33k	MF, 1%, 0207							
0	R 15	57.11.3104	100k		MF, 1%, 0207	0	R 96	57.11.3333	33k	MF, 1%, 0207							
0	R 16	57.11.3103	10k		MF, 1%, 0207	0	R 97	57.11.3472	4k7	MF, 1%, 0207							
0	R 17	57.11.3103	10k		MF, 1%, 0207	0	R 98	57.11.3472	4k7	MF, 1%, 0207							
0	R 18	57.11.3104	100k		MF, 1%, 0207	0	R 99	57.11.3472	4k7	MF, 1%, 0207							
0	R 19	57.11.3103	10k		MF, 1%, 0207	0	R 99	57.11.3104	100k	MF, 1%, 0207							
0	R 20	57.11.3104	100k		MF, 1%, 0207	0	R 100	57.11.3104	100k	MF, 1%, 0207							
0	R 21	57.11.3104	100k		MF, 1%, 0207	0	R 101	57.11.9221	220R	MF, 1%, 0207							
0	R 22	57.11.3103	10k		MF, 1%, 0207	0	R 102	57.11.3103	10k	MF, 1%, 0207							
0	R 23	57.11.3104	100k		MF, 1%, 0207	0	R 103	57.11.3103	10k	MF, 1%, 0207							
0	R 24	57.11.3104	100k		MF, 1%, 0207	0	R 104	57.11.3103	10k	MF, 1%, 0207							
0	R 25	57.11.3104	100k		MF, 1%, 0207	0	R 105	57.11.3103	10k	MF, 1%, 0207							
0	R 26	57.11.3104	100k		MF, 1%, 0207	0	R 106	57.52.1391	470mA	PTC, 30V, 2.5 Ohm							
0	R 27	57.11.3103	10k		MF, 1%, 0207	0	R 107	57.52.1391	470mA	PTC, 30V, 2.5 Ohm							
0	R 28	57.11.3104	100k		MF, 1%, 0207	0	R 108	57.52.1391	470mA	PTC, 30V, 2.5 Ohm							
0	R 29	57.11.3104	100k		MF, 1%, 0207	0	R 109	57.52.1391	470mA	PTC, 30V, 2.5 Ohm							
0	R 30	57.11.3104	100k		MF, 1%, 0207	0	R 110	57.52.1391	470mA	PTC, 30V, 2.5 Ohm							
0	R 31	57.11.3104	100k		MF, 1%, 0207	0	R 111										

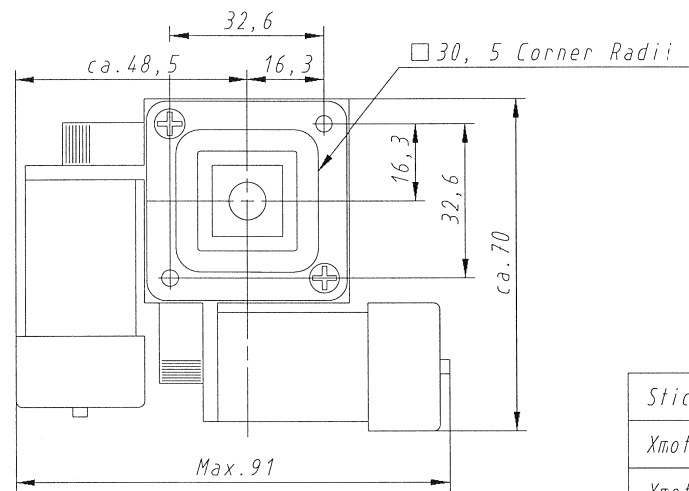
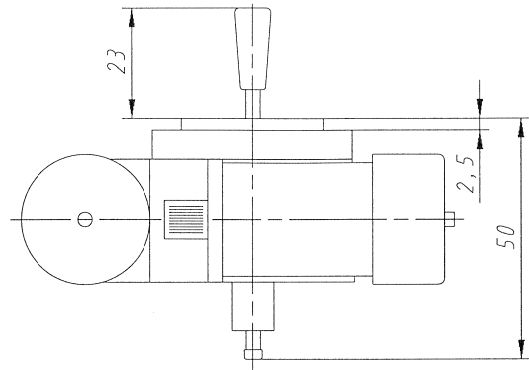
Joystick Complet 1.950.723.00



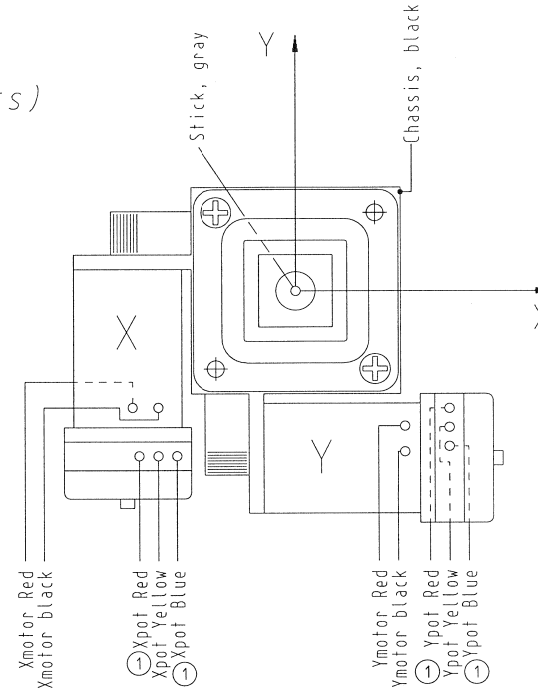
Author					
Checked					
Date	09.04.98	WP	JH	JH	
Drawn	06.11.97	WP	JH	JH	
Index					
Copy to					
Copy for					

STUDER
REGENSBURG
Description
Number: 1.950.723.00
Joystick kpl.

Motorised Joystick 1.950.723.01



*Connections
(acc. to P&G specs)*



Motorised Joystick, Penny-Giles

- Number of tracks: TWO (1.e. X & Y axes)
- Track law: Linear
- Resistance $\pm 20\%$: 5K Ω m
- Electrical angle: 166.67°
- Linearity: $\pm 3\%$ independent
- Insulation: 100M Ω m at 500Vdc
- Wiper current: 10mA
- Motor supply: 12V
- No load speed: 8500rpm
- Max. cont. current: 90mA

<i>Stick displacement +X</i>	<i>Stick displacement +Y</i>
Xmotor Red : +12V	Ymotor Red : +12V
Xmotor Black : 0V	Ymotor Black : 0V
Resistance Xpot Yellow-Xpot Blue: increasing	Resistance Ypot Yellow-Ypot Blue: increasing

①

①

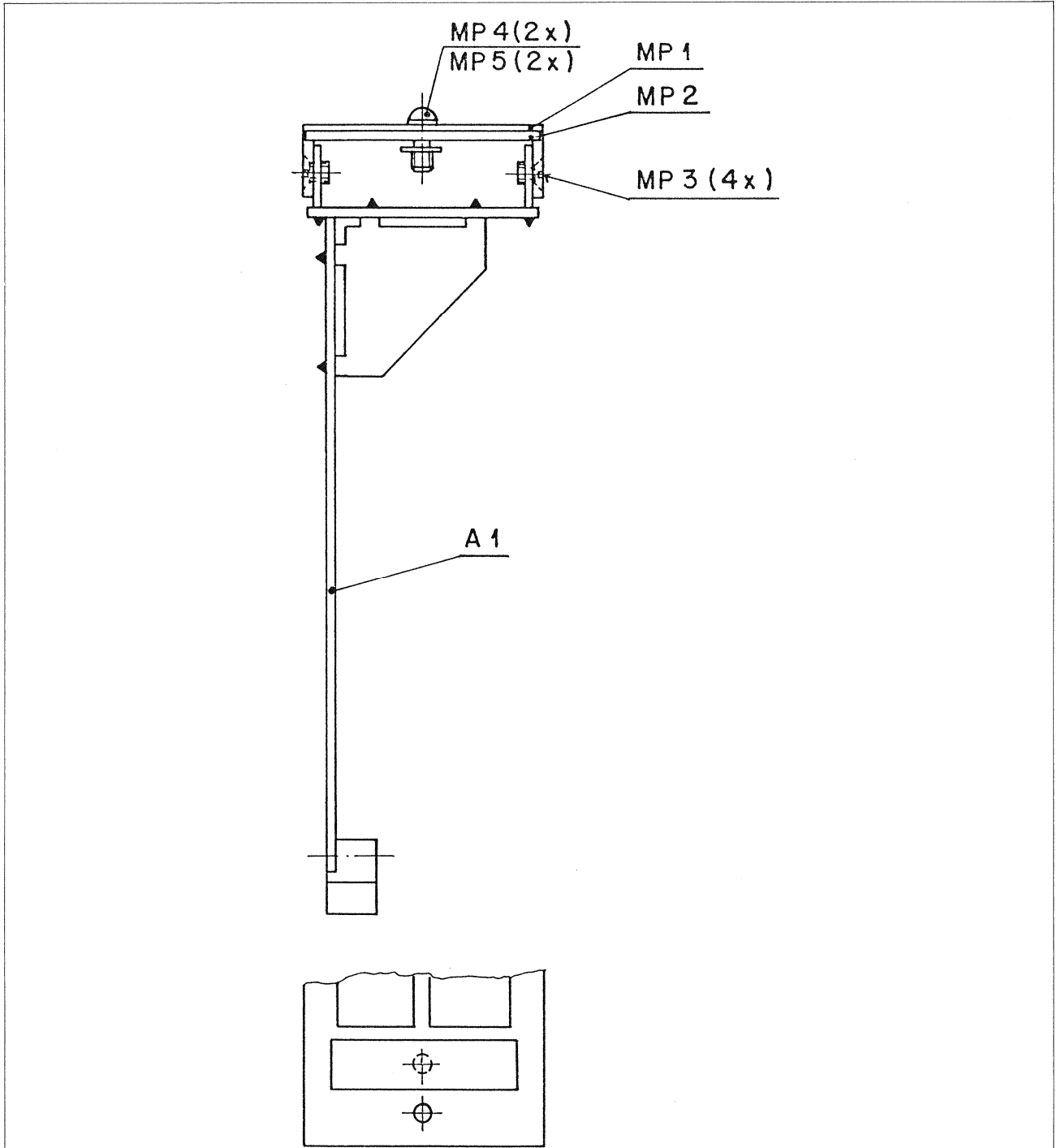
Revision	Modification						
09.04.98	WR	JM	JM				
06.11.97	WR	JM	JM				
State	Valid	Drawn	Spec	Index			
	date	last	change	rev.			



Motorised Joystick

Number: 1.950.723.01

Source Selector Unit 1.990.490.00



Ad . . POS. . . . REF.No. . . . DESCRIPTION MANUFACTURER

A.....1	1.990.498.00		SOURCE SELECTOR
MP....1	1.990.490.01	1 pcs	Frontschild SOURCE SELECTOR 20 PB
MP....2	1.990.490.02	1 pcs	Traeger SOURCE SELECTOR
MP....3	21.01.2352	4 pcs	S-Schr. M3*4
MP....4	1.010.022.21	2 pcs	Linse(r)nschr. IS M3*8
MP....5	24.16.3023	2 pcs	Wellensicherung 3mm
MP....6	1.990.490.04	1 pcs	Studer-Nr-Etikette 10*20

CER=Ceramic, PE=Polyester
MF=Metal Film, PNC=Cermet

MANUFACTURER: Ex=Exar, NEC=Nippon Electric Corp., Ph=Philips, Ra=Raytheon,
Sig=Signetics, St=Studer.

1.990.490.00 SOURCE SELECTOR UNIT 20 PB SCAB8/11/3000

Anleitung					(3)
Ausgabe					(2)
3.4.90	A. 1/80	SCA	1/1		(1)
Datum	Grz	Gepf	Ges	Index	(0)
Kopie für:					
Nummer					1.990.490-00

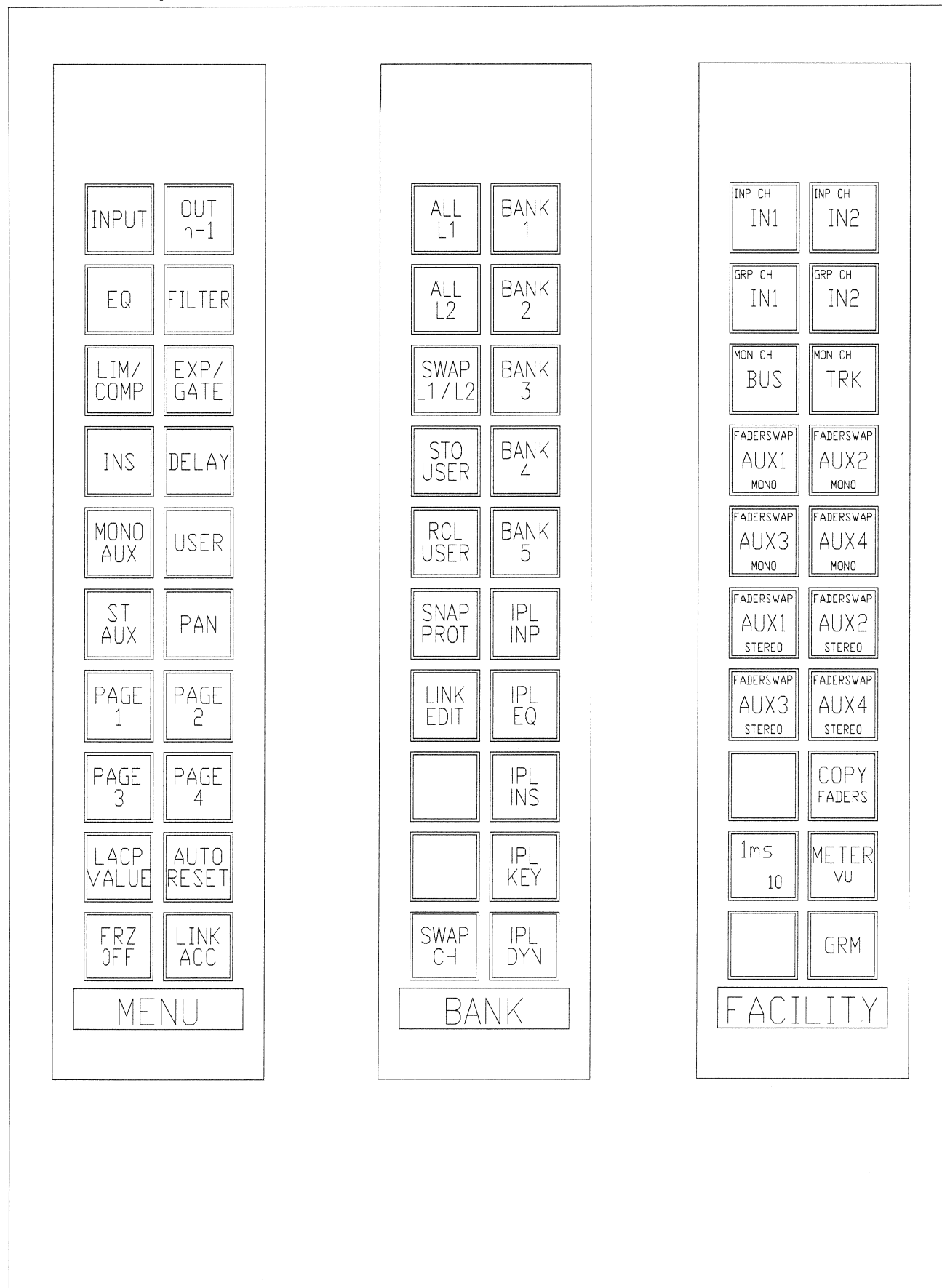
STUDER
REGERSDORF
ZÜRICH

Bearbeitung: **SOURCE SELECTOR UNIT**
20 PB

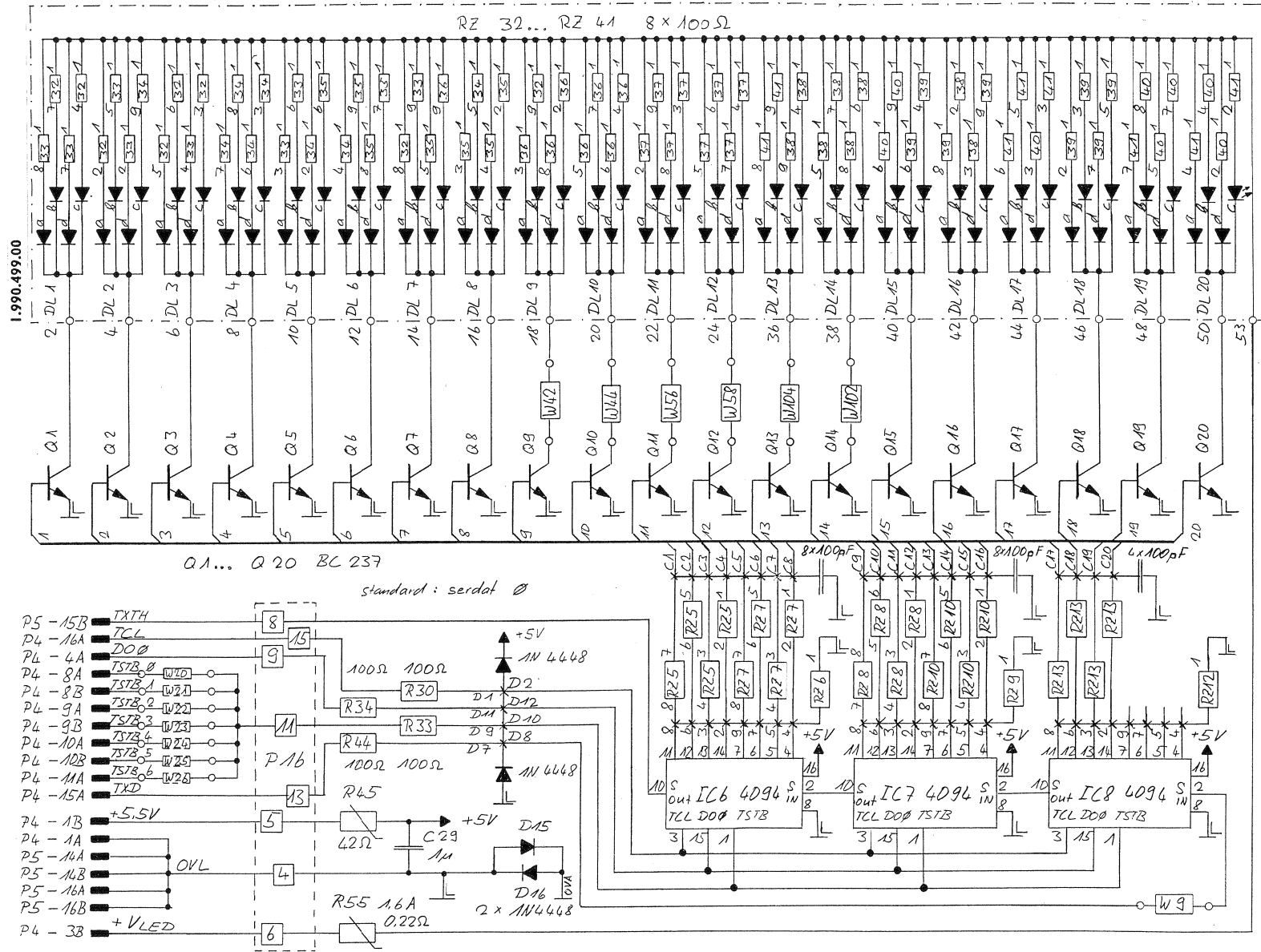
Master Menu Selector 1.990.490.00

Bank Selector 1.990.490.00

Central Facility Unit 1.990.490.00



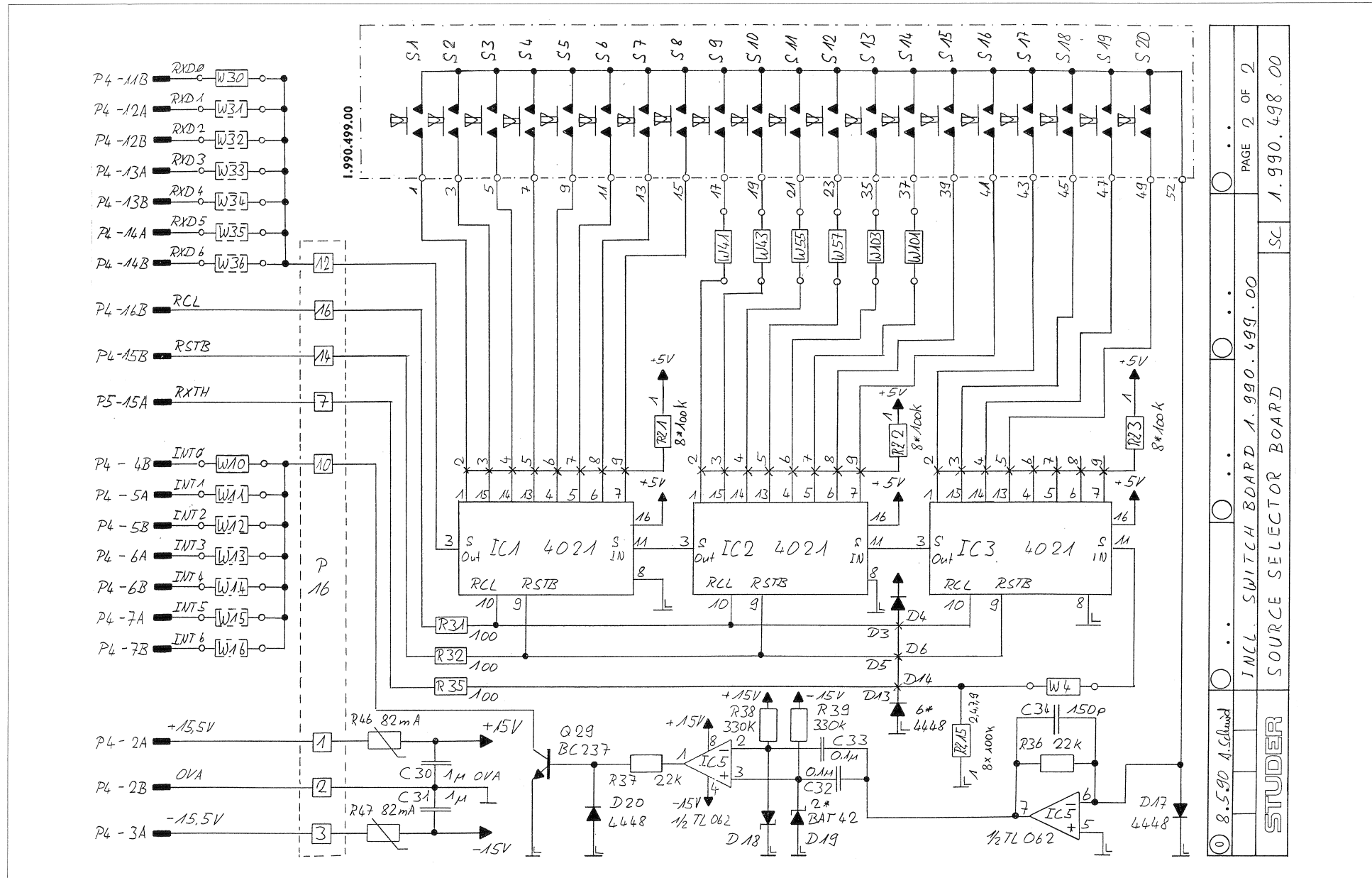
Source Selector Board 1.990.498.00
- Source Selector Switch Board 1.990.499.00



8.5.90 A.Schmid	INCL. SWITCH BOARD 1.990.499.00	PAGE 1 OF 2
STUDER	SOURCE SELECTOR BOARD	SC 1.990.498.00

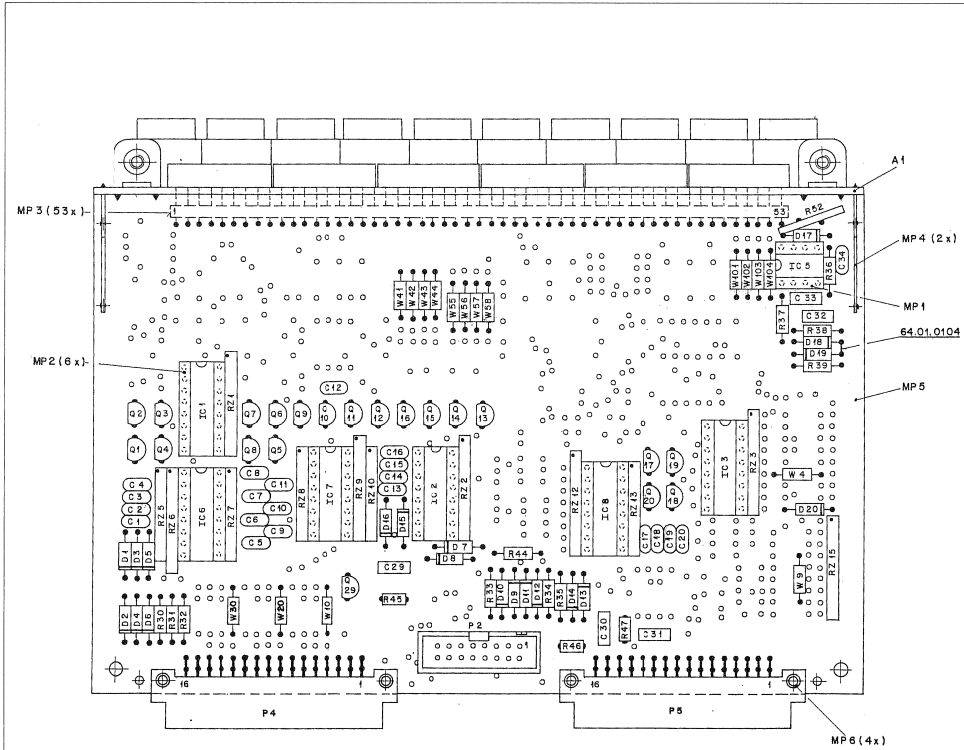


Source Selector Board 1.990.498.00
- Source Selector Switch Board 1.990.499.00





Source Selector Board 1.990.498.00



Ad	POS.	REF. No.	DESCRIPTION	MANUFACTURER	Ad	POS.	REF. No.	DESCRIPTION	MANUFACTURER
A1	1.990.498.00	Source Selector Switch Board		R36	57.11.3223	22 kOhm	1% MF
C1	59.34.4101	100 pF	CE	R37	57.11.3223	22 kOhm	1% MF
C2	59.34.4101	100 pF	CE	R38	57.11.3334	330 kOhm	1% MF
C3	59.34.4101	100 pF	CE	R39	57.11.3334	330 kOhm	1% MF
C4	59.34.4101	100 pF	CE	R44	57.11.3101	100 Ohm	1% MF
C5	59.34.4101	100 pF	CE	R45	57.92.1820	82 mA	PTC 42 Ohm
C6	59.34.4101	100 pF	CE	R46	57.92.1820	82 mA	PTC 42 Ohm
C7	59.34.4101	100 pF	CE	R47	57.92.1820	82 mA	PTC 42 Ohm
C8	59.34.4101	100 pF	CE	R55	57.92.7016	1.6 A	R-PTC 0.22 Ohm
C9	59.34.4101	100 pF	CE	W4	57.11.3000	0 Ohm	Bridge
C10	59.34.4101	100 pF	CE	W9	57.11.3000	0 Ohm	Bridge
C11	59.34.4101	100 pF	CE	W10	57.11.3000	0 Ohm	Bridge SERDAT 0 (1MT 0)
C12	59.34.4101	100 pF	CE	W11	..	0	not used wire bridge SERDAT #1 INT 1 57113000
C13	59.34.4101	100 pF	CE	W12	..	0	not used wire bridge SERDAT #2 INT 2 57113000
C14	59.34.4101	100 pF	CE	W13	..	0	not used wire bridge SERDAT #3 INT 3 57113000
C15	59.34.4101	100 pF	CE	W14	..	0	not used wire bridge SERDAT #4 INT 4 57113000
C16	59.34.4101	100 pF	CE	W15	..	0	not used wire bridge SERDAT #5 INT 5 57113000
C17	59.34.4101	100 pF	CE	W16	..	0	not used wire bridge SERDAT #6 INT 6 57113000
C18	59.34.4101	100 pF	CE	W20	57.11.3000	0 Ohm	wire bridge SERDAT #0 (1TSB 0)
C19	59.34.4101	100 pF	CE	W21	..	0	not used wire bridge SERDAT #1 TSB 1 57113000
C20	59.34.4101	100 pF	CE	W22	..	0	not used wire bridge SERDAT #2 TSB 2 57113000
C29	59.06.0104	100 nF	PE	W23	..	0	not used wire bridge SERDAT #3 TSB 3 57113000
C30	59.06.0104	100 nF	PE	W24	..	0	not used wire bridge SERDAT #4 TSB 4 57113000
C31	59.06.0104	100 nF	PE	W25	..	0	not used wire bridge SERDAT #5 TSB 5 57113000
C32	59.06.0104	100 nF	PE	W26	..	0	not used wire bridge SERDAT #6 TSB 6 57113000
C33	59.06.0104	100 nF	PE	W30	57.11.3000	0 Ohm	wire bridge SERDAT #0 (RID 0)
C34	59.34.7151	150 pF	CE	W31	..	0	not used wire bridge SERDAT #1 RID 1 57113000
D1	50.04.0125	1M4448		W32	..	0	not used wire bridge SERDAT #2 RID 2 57113000
D2	50.04.0125	1M4448		W33	..	0	not used wire bridge SERDAT #3 RID 3 57113000
D3	50.04.0125	1M4448		W34	..	0	not used wire bridge SERDAT #4 RID 4 57113000
D4	50.04.0125	1M4448		W35	..	0	not used wire bridge SERDAT #5 RID 5 57113000
D5	50.04.0125	1M4448		W36	..	0	not used wire bridge SERDAT #6 RID 6 57113000
D6	50.04.0125	1M4448		W41	57.11.3000	0 Ohm	Bridge
D7	50.04.0125	1M4448		W42	57.11.3000	0 Ohm	Bridge
D8	50.04.0125	1M4448		W43	57.11.3000	0 Ohm	Bridge
D9	50.04.0125	1M4448		W44	57.11.3000	0 Ohm	Bridge
D10	50.04.0125	1M4448		W55	57.11.3000	0 Ohm	Bridge
D11	50.04.0125	1M4448		W56	57.11.3000	0 Ohm	Bridge
D12	50.04.0125	1M4448		W57	57.11.3000	0 Ohm	Bridge
D13	50.04.0125	1M4448		W58	57.11.3000	0 Ohm	Bridge
D14	50.04.0125	1M4448		W101	57.11.3000	0 Ohm	Bridge
D15	50.04.0125	1M4448		W102	57.11.3000	0 Ohm	Bridge
D16	50.04.0125	1M4448		W103	57.11.3000	0 Ohm	Bridge
D17	50.04.0125	1M4448		W104	57.11.3000	0 Ohm	Bridge
D18	50.04.0127	BAT 42		RZ1	57.88.4104	100 kOhm	2% resistor-network
D19	50.04.0127	BAT 42		RZ2	57.88.4104	100 kOhm	2% resistor-network
D20	50.04.0125	1M4448		RZ3	57.88.4104	100 kOhm	2% resistor-network
IC1	50.07.1021	CD4021	8-bit static shift register	RZ5	57.88.2682	6.8 kOhm	2% resistor-network
IC2	50.07.1021	CD4021	8-bit static shift register	RZ6	57.88.4104	100 kOhm	2% resistor-network
IC3	50.07.1021	CD4021	8-bit static shift register	RZ7	57.88.2682	6.8 kOhm	2% resistor-network
IC5	50.09.0119	TL 082	J FET dual op. amp.	RZ8	57.88.2682	6.8 kOhm	2% resistor-network
IC6	50.07.0018	CD4094	shift and store bus register	RZ9	57.88.4104	100 kOhm	2% resistor-network
IC7	50.07.0018	CD4094	shift and store bus register	RZ10	57.88.2682	6.8 kOhm	2% resistor-network
IC8	50.07.0018	CD4094	shift and store bus register	RZ12	57.88.4104	100 kOhm	2% resistor-network
MP1	53.03.0166	1 pcs	IC-Socket 8-pin	RZ13	57.88.2682	6.8 kOhm	2% resistor-network
MP2	53.03.0168	6 pcs	IC-Socket 16-pin	RZ15	57.88.4104	100 kOhm	2% resistor-network
MP3	54.11.0125	53 pcs	Stiftleiste Winkel RM 2.54					
MP4	1.990.100.01	2 pcs	Querprintstuecke					
MP5	1.990.420.11	1 pcs	CR MONITOR PCB					
MP6	25.99.0119	4 pcs	Rohrleiste 2.5*0.1510					
MP7	43.01.0108	1 pcs	ESE-Schild					
MP8	1.990.498.04	1 pcs	Nr-Etikette					
Q1	50.03.0436	BC137	unt npn					
Q2	50.03.0436	BC137	unt npn					
Q3	50.03.0436	BC137	unt npn					
Q4	50.03.0436	BC137	unt npn					
Q5	50.03.0436	BC137	unt npn					
Q6	50.03.0436	BC137	unt npn					
Q7	50.03.0436	BC137	unt npn					
Q8	50.03.0436	BC137	unt npn					
Q9	50.03.0436	BC137	unt npn					
Q10	50.03.0436	BC137	unt npn					
Q11	50.03.0436	BC137	unt npn					
Q12	50.03.0436	BC137	unt npn					
Q13	50.03.0436	BC137	unt npn					
Q14	50.03.0436	BC137	unt npn					
Q15	50.03.0436	BC137	unt npn					
Q16	50.03.0436	BC137	unt npn					
Q17	50.03.0436	BC137	unt npn					
Q18	50.03.0436	BC137	unt npn					
Q19	50.03.0436	BC137	unt npn					
Q20	50.03.0436	BC137	unt npn					
Q29	50.03.0436	BC137	unt npn					
P1	0	not used	see MP					
P2	54.14.2002	16 pin	PCB ribbon-connector					
P4	54.11.2013	2*16 pin	eurocard-connector					
P5	54.11.2013	2*16 pin	eurocard-connector					
R30	57.11.3101	100 Ohm	1% MF					
R31	57.11.3101	100 Ohm	1% MF					
R32	57.11.3101	100 Ohm	1% MF					
R33	57.11.3101	100 Ohm	1% MF					
R34	57.11.3101	100 Ohm	1% MF					
R35	57.11.3101	100 Ohm	1% MF					

CE=Ceramic, PE=Polyester
 MF=Metal Film, PMO=Cermet
 MANUFACTURER: Ex=Exar, NEC=Nippon Electric Corp., Ph=Philips, R=Raytheon, Sig=Signetics, St=Studer.
 1.990.498.00 SOURCE SELECTOR SC90/04/2700
 ESD

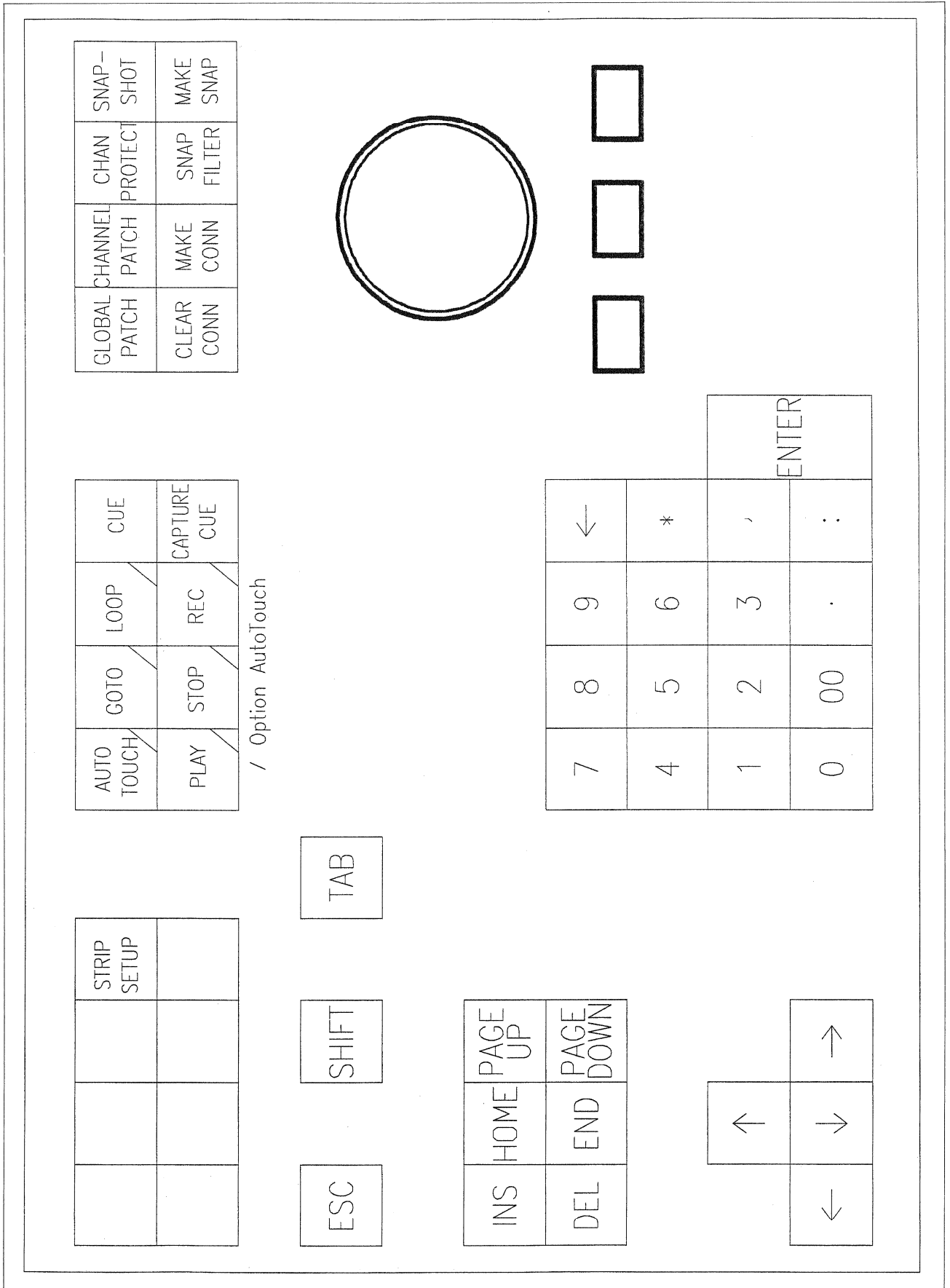
Arbeitsnr.									
Abgabe	2.4.90	J	SCA	JF					
Datum		Gez.	Gepr.	Gez.	Gez.	Index			
Kopie für:									

STUDER
 REVISIONSBORDE
 ZÜRICH

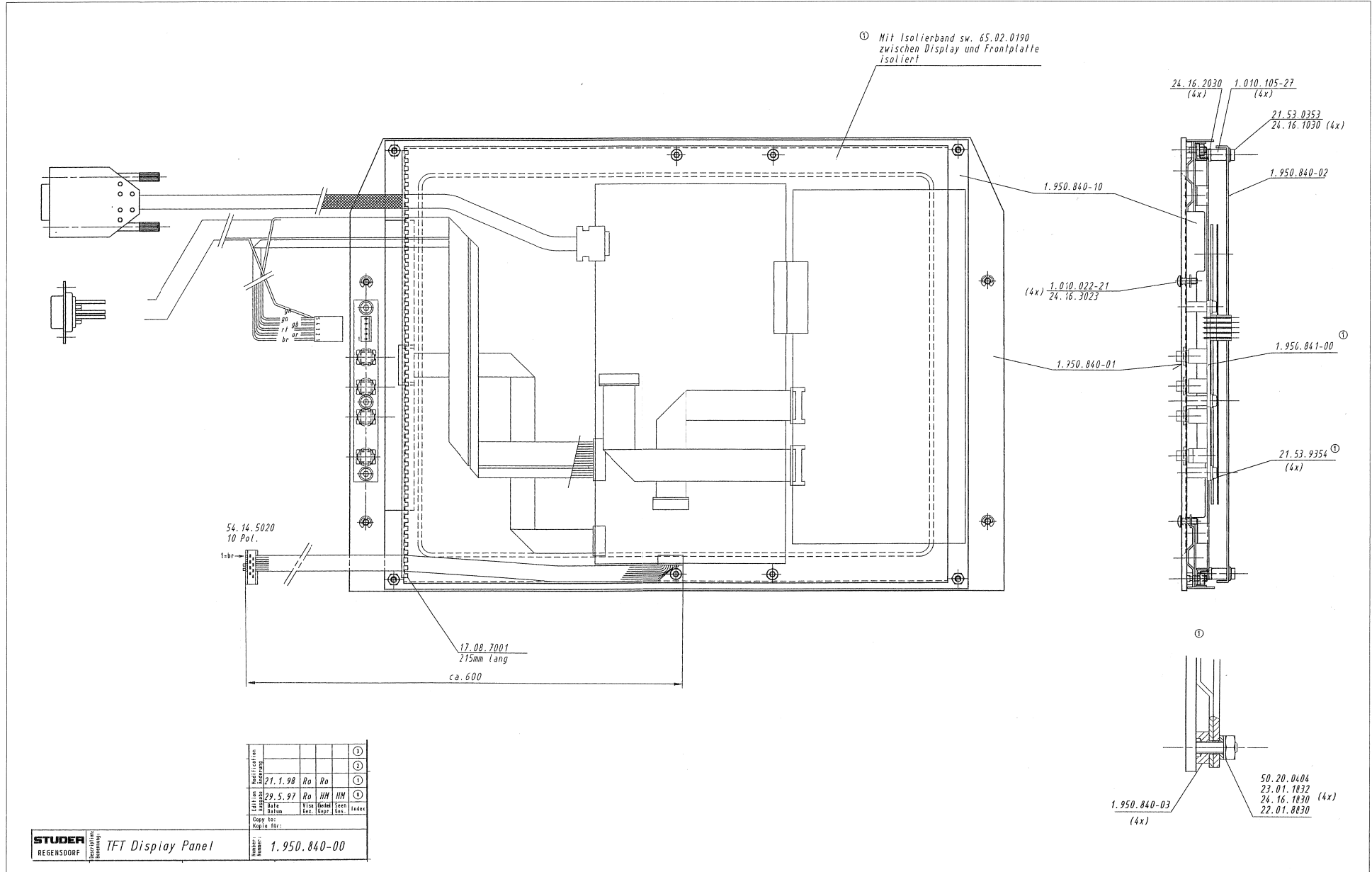
Bezeichnung: SOURCE SELECTOR BOARD ESE

Nr.: 1.990.498-00

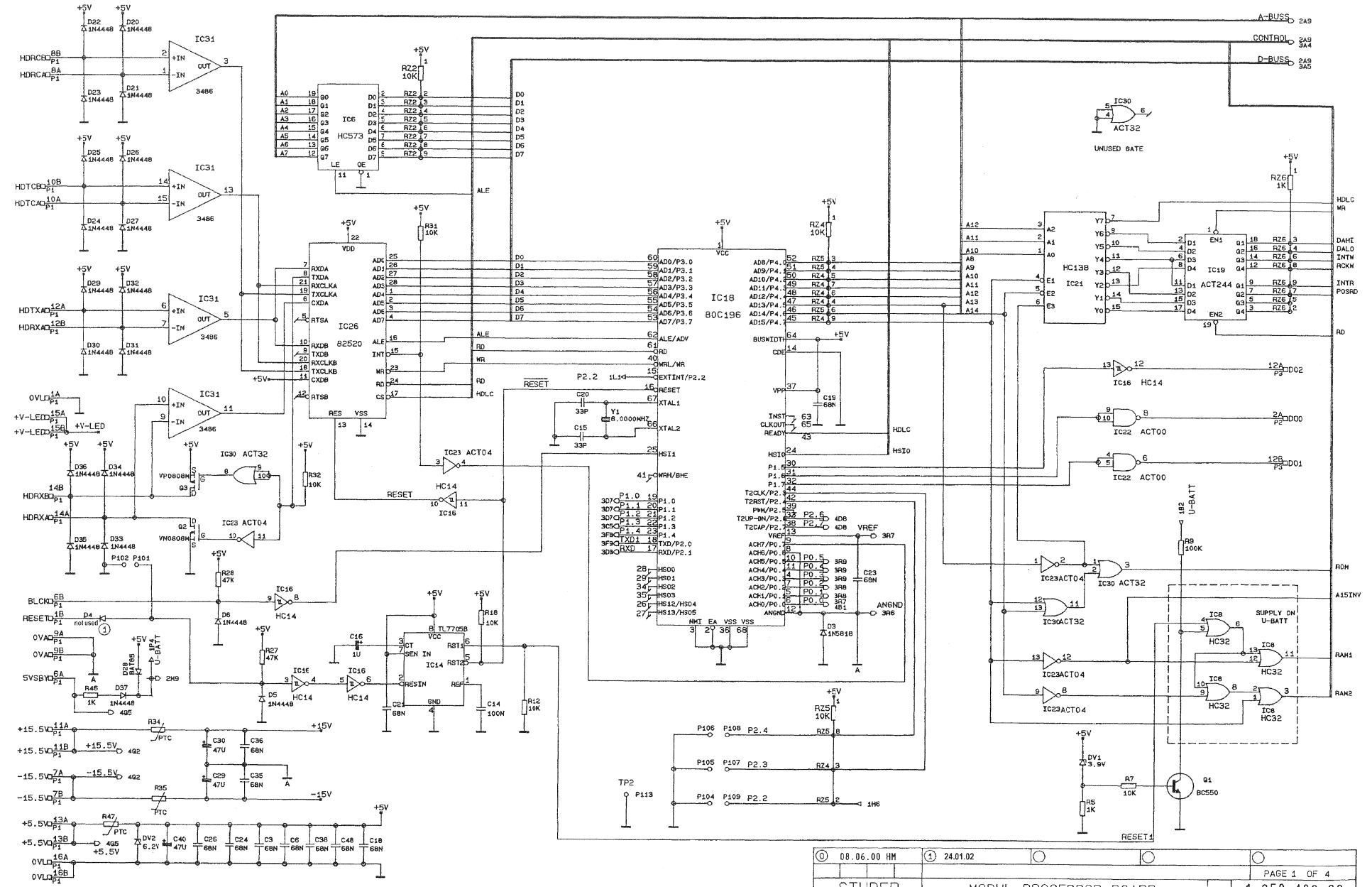
Function Keyboard and Trackball 1.950.731.20



TFT Display Panel 1.950.840.00

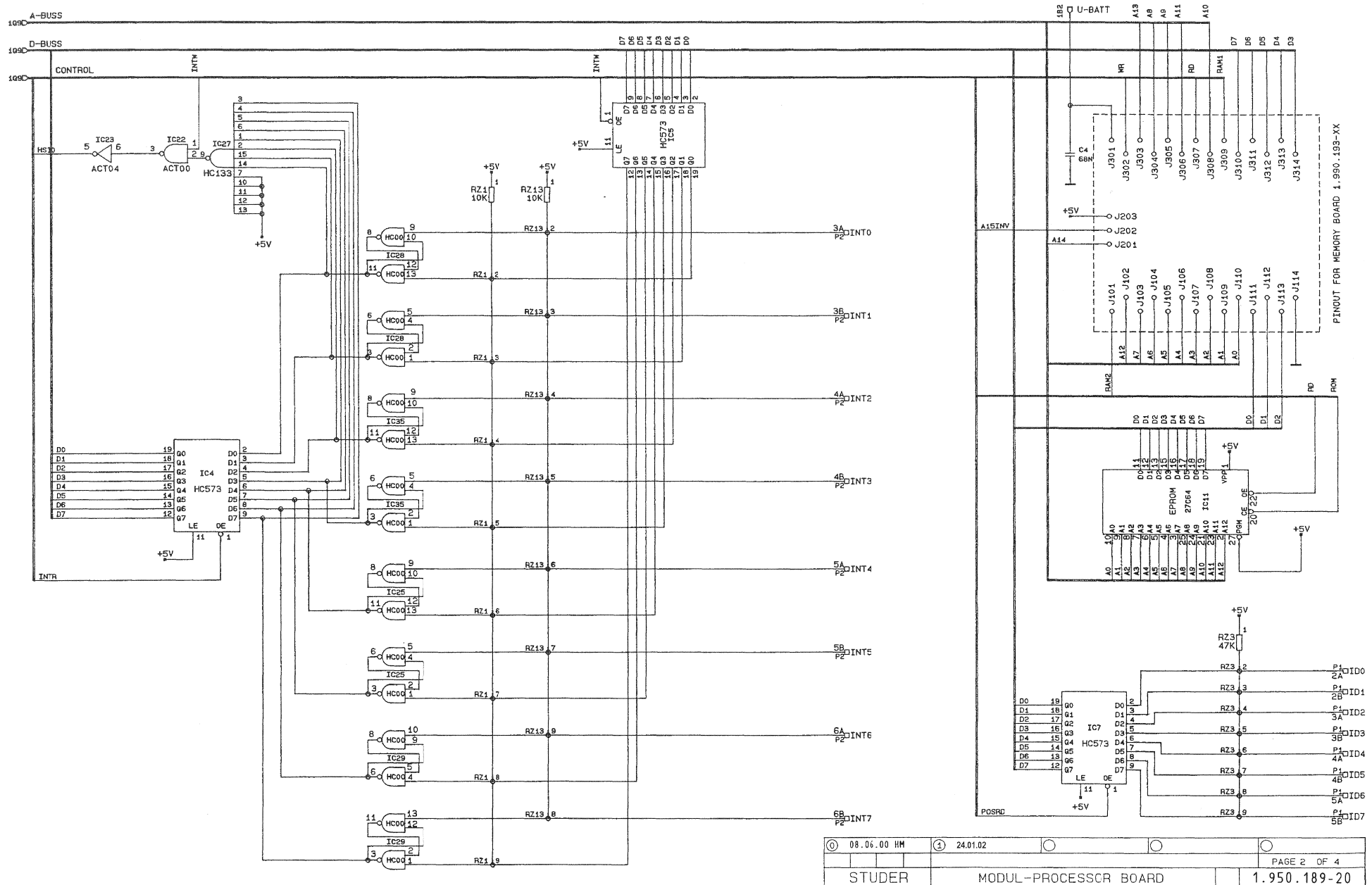


Module Processor Board 1.950.189.20 (2)

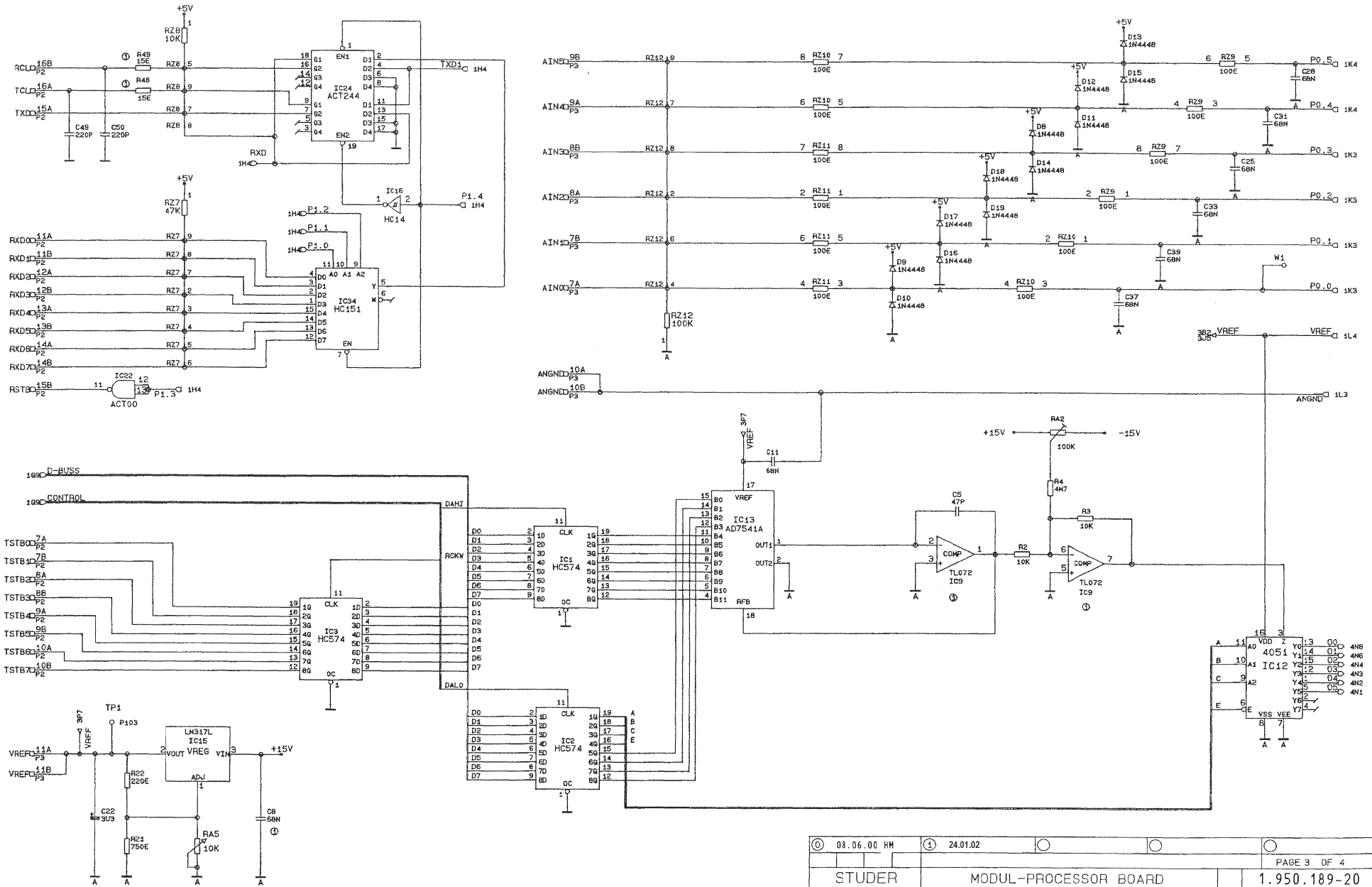


08.06.00 HM	24.01.02		
STUDER		MODUL-PROCESSOR BOARD	
		1.950.189-20	

Module Processor Board 1.950.189.20 (2)

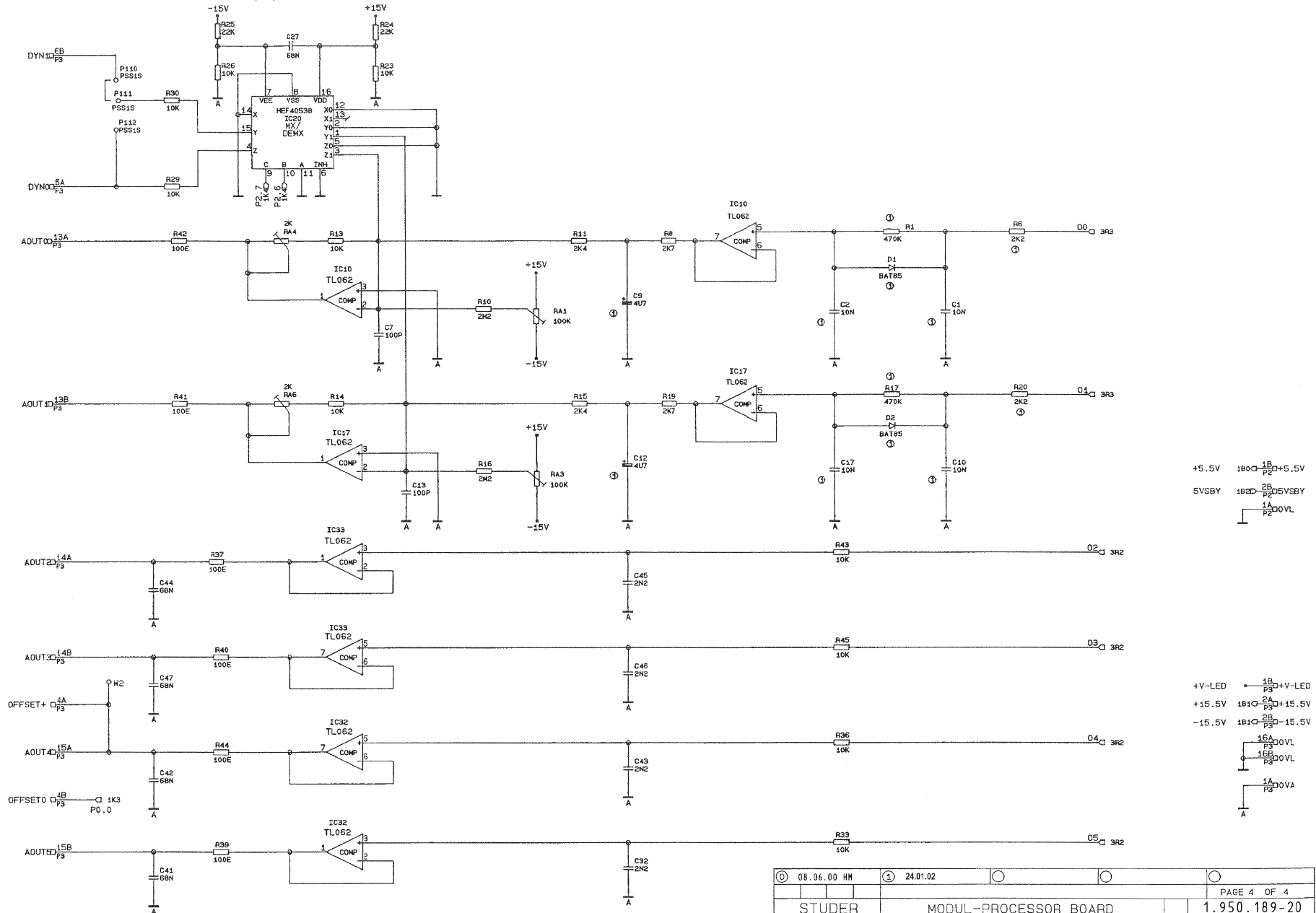


Module Processor Board 1.950.189.20 (2)

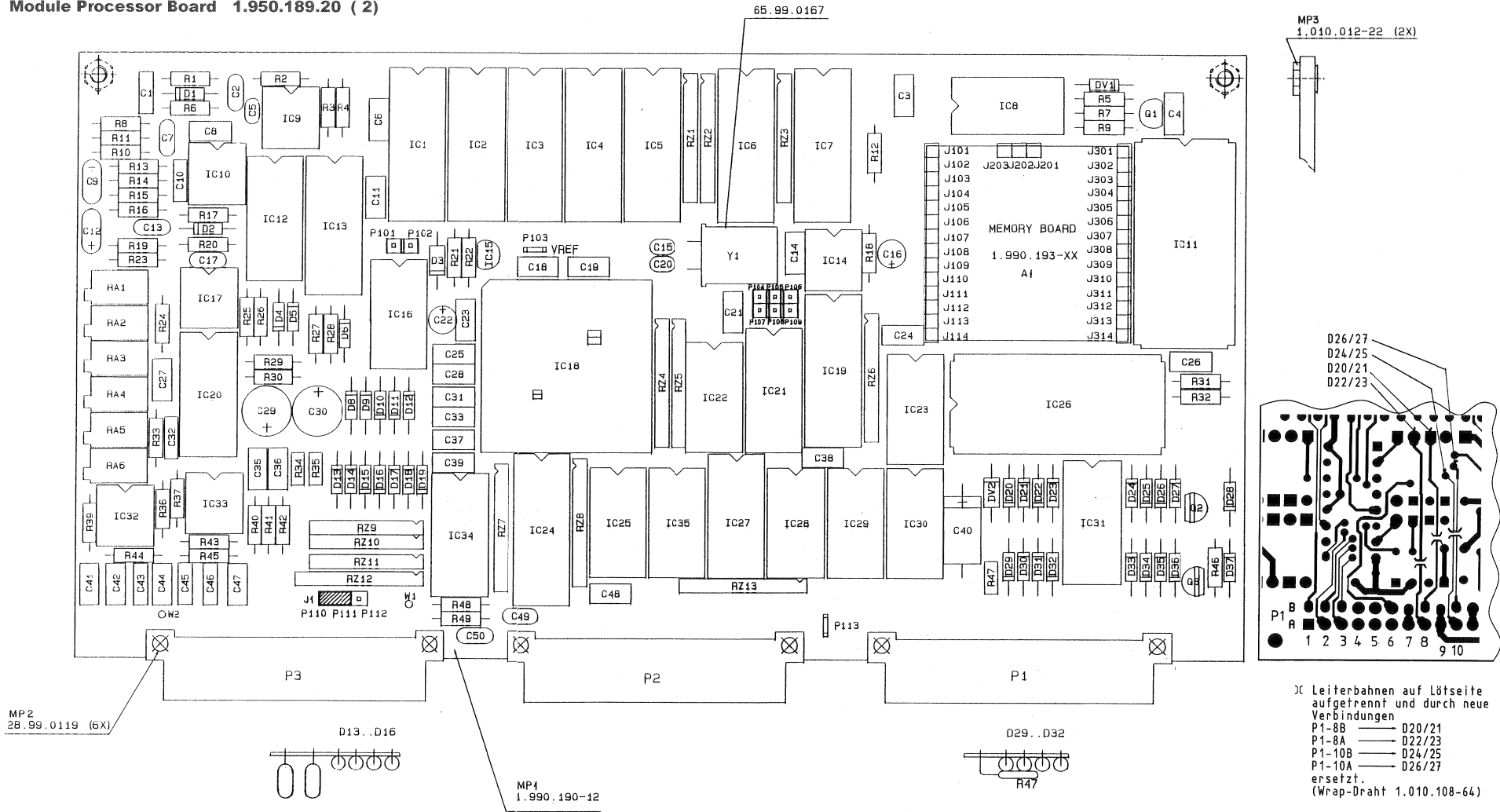


08.06.00 HM	24.01.02		
STUDER		MODUL-PROCESSOR BOARD	
		1.950.189-20	

Module Processor Board 1.950.189.20 (2)



Module Processor Board 1.950.189.20 (2)



Werkstoff	Oberfläche				
NORM-NR.:	QUETE:	<input type="checkbox"/>			
DIN-BEZ.:	BEH.:	<input type="checkbox"/>			
ABMESSUNGEN:		<input checked="" type="checkbox"/>	08.05.00	<i>HL</i>	<i>HL</i>
ZUGEH. UNTERLAGEN:	PL. FREIHALBSTOL.:	IND.	DATUM	MEZ.	SEPR. GES.
	BV 695				
	HASSTAB:	2 : 1	BLATT	1	VON 1
STUDER	MODULE PROCESSOR BOARD ESE	BP	Z	1.950.189-20	

⊗ Leiterbahnen auf Lötseite aufgetrennt und durch neue Verbindungen
 P1-8B ——— D20/21
 P1-8A ——— D22/23
 P1-10B ——— D24/25
 P1-10A ——— D26/27
 ersetzt.
 (Wrap-Draht 1.010.108-64)

Module Processor Board 1.950.189.20 (2)

Idx.	Pos.	Part No.	Qty.	Type/Val.	Description	Idx.	Pos.	Part No.	Qty.	Type/Val.	Description
0	A 1	1.990.193.00			MEMORY BOARD	0	DV 2	50.04.1511		6V2	Zener, 5%, 1.3W, DO-41
0	C 1	59.06.0103	10n		PETP, 63V, 10%, RM5	0	IC 1	50.17.1574		74HC574	IC ... 74 HC 574 .. ,A
0	C 2	59.06.0103	10n		PETP, 63V, 10%, RM5	0	IC 2	50.17.1574		74HC574	IC ... 74 HC 574 .. ,A
0	C 3	59.06.0683	68n		PETP, 63V, 10%, RM5	0	IC 3	50.17.1574		74HC574	IC ... 74 HC 574 .. ,A
0	C 4	59.06.0683	68n		PETP, 63V, 10%, RM5	0	IC 4	50.17.1573		74HC573	74 HC 573(A)
0	C 5	59.34.2470	47p		CER 63V, 5%, N150	0	IC 5	50.17.1573		74HC573	74 HC 573(A)
0	C 6	59.06.0683	68n		PETP, 63V, 10%, RM5	0	IC 6	50.17.1573		74HC573	74 HC 573(A)
0	C 7	59.34.2101	100p		CER 63V, 5%, N150	0	IC 7	50.17.1573		74HC573	74 HC 573(A)
0	C 8	59.06.0683	68n		PETP, 63V, 10%, RM5	0	IC 8	50.17.1032		74HC 32	IC ... 74 HC 32 .. ,A
0	C 9	59.26.1479	4u7		SAL 10V 20%	0	IC 9	50.09.0101		072	IC TL 072 CN ,A
0	C 10	59.06.0103	10n		PETP, 63V, 10%, RM5	0	IC 10	50.09.0119		062	IC TL 062 ACP ,A
0	C 11	59.06.0683	68n		PETP, 63V, 10%, RM5	1	IC 11	1.950.976.20			SW 950 CCU BOOT EPROM
0	C 12	59.26.1479	4u7		SAL 10V 20%	0	IC 12	50.07.0051		4051	8ch analog Mux/Demux
0	C 13	59.34.2101	100p		CER 63V, 5%, N150	0	IC 13	50.19.0102		MP7541B	D/A Converter 12bit
0	C 14	59.06.0104	100n		PETP, 63V, 10%, RM5	0	IC 14	50.11.0157		TL7705B	IC TL 7705 BCP,
0	C 15	59.34.2330	33p		CER 63V, 5%, N150	0	IC 15	50.10.0108		LM317L	Series regulator 100mA ...+37V
0	C 16	59.30.6109	1u		TA, 20%, 35V	0	IC 16	50.17.1014		74HC 14	IC ... 74 HC 14 .. ,A
0	C 17	59.06.0103	10n		PETP, 63V, 10%, RM5	0	IC 17	50.09.0119		062	IC TL 062 ACP ,A
0	C 18	59.06.0683	68n		PETP, 63V, 10%, RM5	0	IC 18	50.63.0003		80C196	MPU 16bit
0	C 19	59.06.0683	68n		PETP, 63V, 10%, RM5	0	IC 19	50.17.7244		74ACT244	.. 74 ACT 244 .
0	C 20	59.34.2330	33p		CER 63V, 5%, N150	0	IC 20	50.07.0015		4053	Tripple 2ch analog mux/demux
0	C 21	59.06.0683	68n		PETP, 63V, 10%, RM5	0	IC 21	50.17.1138		74HC138	IC ... 74 HC 138 .. ,A
0	C 22	59.30.4339	3u3		TA, 20%, 16V	0	IC 22	50.17.7000		74ACT00	.. 74 ACT 00 .
0	C 23	59.06.0683	68n		PETP, 63V, 10%, RM5	0	IC 23	50.17.7004		74ACT04	.. 74 ACT 04 .
0	C 24	59.06.0683	68n		PETP, 63V, 10%, RM5	0	IC 24	50.17.7244		74ACT244	.. 74 ACT 244 .
0	C 25	59.06.0683	68n		PETP, 63V, 10%, RM5	0	IC 25	50.17.1000		74HC 00	Quad 2input NAND
0	C 26	59.06.0683	68n		PETP, 63V, 10%, RM5	0	IC 26	50.16.0153		82520	IC SAB 82520-P ,A
0	C 27	59.06.0683	68n		PETP, 63V, 10%, RM5	0	IC 27	50.17.1133		74HC133	IC ... 74 HC 133 .. ,A
0	C 28	59.06.0683	68n		PETP, 63V, 10%, RM5	0	IC 28	50.17.1000		74HC 00	Quad 2input NAND
0	C 29	59.22.5470	47u		EL 25V 20% RM5	0	IC 29	50.17.1000		74HC 00	Quad 2input NAND
0	C 30	59.22.5470	47u		EL 25V 20% RM5	0	IC 30	50.17.7032		74ACT32	.. 74 ACT 32 .
0	C 31	59.06.0683	68n		PETP, 63V, 10%, RM5	0	IC 31	50.15.0104		3486	IC MC 3486 P, DS 3486 N,
0	C 32	59.06.0222	2n2		PETP, 63V, 10%, RM5	0	IC 32	50.09.0119		062	IC TL 062 ACP ,A
0	C 33	59.06.0683	68n		PETP, 63V, 10%, RM5	0	IC 33	50.09.0119		062	IC TL 062 ACP ,A
0	C 35	59.06.0683	68n		PETP, 63V, 10%, RM5	0	IC 34	50.17.1151		74HC151	IC ... 74 HC 151 .. ,A
0	C 36	59.06.0683	68n		PETP, 63V, 10%, RM5	0	IC 35	50.17.1000		74HC 00	Quad 2input NAND
0	C 37	59.06.0683	68n		PETP, 63V, 10%, RM5	0	J 1	54.01.0021		Jumper	0.63*0.63mm, Au
0	C 38	59.06.0683	68n		PETP, 63V, 10%, RM5	0	J 101	53.03.0218		1p	single-in-line
0	C 39	59.06.0683	68n		PETP, 63V, 10%, RM5	0	J 102	53.03.0218		1p	single-in-line
0	C 40	59.25.2470	47u		EL 10V 20% axial	0	J 103	53.03.0218		1p	single-in-line
0	C 41	59.06.0683	68n		PETP, 63V, 10%, RM5	0	J 104	53.03.0218		1p	single-in-line
0	C 42	59.06.0683	68n		PETP, 63V, 10%, RM5	0	J 105	53.03.0218		1p	single-in-line
0	C 43	59.06.0222	2n2		PETP, 63V, 10%, RM5	0	J 106	53.03.0218		1p	single-in-line
0	C 44	59.06.0683	68n		PETP, 63V, 10%, RM5	0	J 107	53.03.0218		1p	single-in-line
0	C 45	59.06.0222	2n2		PETP, 63V, 10%, RM5	0	J 108	53.03.0218		1p	single-in-line
0	C 46	59.06.0222	2n2		PETP, 63V, 10%, RM5	0	J 109	53.03.0218		1p	single-in-line
0	C 47	59.06.0683	68n		PETP, 63V, 10%, RM5	0	J 110	53.03.0218		1p	single-in-line
0	C 48	59.06.0683	68n		PETP, 63V, 10%, RM5	0	J 111	53.03.0218		1p	single-in-line
0	C 49	59.34.4221	220p		CER 63V, 5%, N750	0	J 112	53.03.0218		1p	single-in-line
0	C 50	59.34.4221	220p		CER 63V, 5%, N750	0	J 113	53.03.0218		1p	single-in-line
0	D 1	50.04.0127		BAT85	200mA, Schottky	0	J 114	53.03.0218		1p	single-in-line
0	D 2	50.04.0127		BAT85	200mA, Schottky	0	J 201	53.03.0218		1p	single-in-line
0	D 3	50.04.0512		1N5818	D 1N 5818, 1N 5819,	0	J 202	53.03.0218		1p	single-in-line
2	D 4	not used		1N4448	75V, 150mA, 4ns, DO-35	0	J 203	53.03.0218		1p	single-in-line
0	D 5	50.04.0125		1N4448	75V, 150mA, 4ns, DO-35	0	J 301	53.03.0218		1p	single-in-line
0	D 6	50.04.0125		1N4448	75V, 150mA, 4ns, DO-35	0	J 302	53.03.0218		1p	single-in-line
0	D 8	50.04.0125		1N4448	75V, 150mA, 4ns, DO-35	0	J 303	53.03.0218		1p	single-in-line
0	D 9	50.04.0125		1N4448	75V, 150mA, 4ns, DO-35	0	J 304	53.03.0218		1p	single-in-line
0	D 10	50.04.0125		1N4448	75V, 150mA, 4ns, DO-35	0	J 305	53.03.0218		1p	single-in-line
0	D 11	50.04.0125		1N4448	75V, 150mA, 4ns, DO-35	0	J 306	53.03.0218		1p	single-in-line
0	D 12	50.04.0125		1N4448	75V, 150mA, 4ns, DO-35	0	J 307	53.03.0218		1p	single-in-line
0	D 13	50.04.0125		1N4448	75V, 150mA, 4ns, DO-35	0	J 308	53.03.0218		1p	single-in-line
0	D 14	50.04.0125		1N4448	75V, 150mA, 4ns, DO-35	0	J 309	53.03.0218		1p	single-in-line
0	D 15	50.04.0125		1N4448	75V, 150mA, 4ns, DO-35	0	J 310	53.03.0218		1p	single-in-line
0	D 16	50.04.0125		1N4448	75V, 150mA, 4ns, DO-35	0	J 311	53.03.0218		1p	single-in-line
0	D 17	50.04.0125		1N4448	75V, 150mA, 4ns, DO-35	0	J 312	53.03.0218		1p	single-in-line
0	D 18	50.04.0125		1N4448	75V, 150mA, 4ns, DO-35	0	J 313	53.03.0218		1p	single-in-line
0	D 19	50.04.0125		1N4448	75V, 150mA, 4ns, DO-35	0	J 314	53.03.0218		1p	single-in-line
0	D 20	50.04.0125		1N4448	75V, 150mA, 4ns, DO-35	0	MP 1	1.990.190.12			MODULE PROCESSOR PCB
0	D 21	50.04.0125		1N4448	75V, 150mA, 4ns, DO-35	0	MP 2	28.99.0119 6 pcs			ROHRNIETE D 2.5*0.15* 9
0	D 22	50.04.0125		1N4448	75V, 150mA, 4ns, DO-35	0	MP 3	1.010.012.22 2 pcs		M3*2	Nieltmutter sw 6
0	D 23	50.04.0125		1N4448	75V, 150mA, 4ns, DO-35	0	MP 4	1.101.001.31		Label	TEXT-ETIK. 5*20 HARDWARE -31
0	D 24	50.04.0125		1N4448	75V, 150mA, 4ns, DO-35	0	MP 5	1.950.189.04			STUDER-NR.-ETIKETTE 10 * 20
0	D 25	50.04.0125		1N4448	75V, 150mA, 4ns, DO-35	0	MP 6	43.01.0108		Label	ESE-WARNSCHILD
0	D 26	50.04.0125		1N4448	75V, 150mA, 4ns, DO-35	0	MP 7	65.99.0167		Tape	POLYURH. KLEBBAND WS, 9* 3
0	D 27	50.04.0125		1N4448	75V, 150mA, 4ns, DO-35	0	P 1	54.11.2013		2*16p	EU-BK 2*16p male
0	D 28	50.04.0127		BAT185	200mA, Schottky	0	P 2	54.11.2013		2*16p	EU-BK 2*16p male
0	D 29	50.04.0125		1N4448	75V, 150mA, 4ns, DO-35	0	P 3	54.11.2013		2*16p	EU-BK 2*16p male
0	D 30	50.04.0125		1N4448	75V, 150mA, 4ns, DO-35	0	P 101	54.01.0020		1p	Pin, 1reihig, gerade
0	D 31	50.04.0125		1N4448	75V, 150mA, 4ns, DO-35	0	P 102	54.01.0020		1p	Pin, 1reihig, gerade
0	D 32	50.04.0125		1N4448	75V, 150mA, 4ns, DO-35	0	P 103	54.02.0320		1p	PCB-Flachst 2.8*0.8, gerade
0	D 33	50.04.0125		1N4448	75V, 150mA, 4ns, DO-35	0	P 104	54.01.0020		1p	Pin, 1reihig, gerade
0	D 34	50.04.0125		1N4448	75V, 150mA, 4ns, DO-35	0	P 105	54.01.0020		1p	Pin, 1reihig, gerade
0	D 35	50.04.0125		1N4448	75V, 150mA, 4ns, DO-35	0	P 106	54.01.0020		1p	Pin, 1reihig, gerade
0	D 36	50.04.0125		1N4448	75V, 150mA, 4ns, DO-35	0	P 107	54.01.0020		1p	Pin, 1reihig, gerade
0	D 37	50.04.0125		1N4448	75V, 150mA, 4ns, DO-35	0	P 108	54.01.0020		1p	Pin, 1reihig, gerade
0	DV 1	50.04.1101		3V9	Zener, 5%, 0.5W, DO-35	0	P 109	54.01.0020		1p	Pin, 1reihig, gerade

Module Processor Board 1.950.189.20 (2)

Idx.	Pos.	Part No.	Qty.	Type/Val.	Description	Idx.	Pos.	Part No.	Qty.	Type/Val.	Description
0	P 110	54.01.0020		1p	Pin, 1reihig, gerade						
0	P 111	54.01.0020		1p	Pin, 1reihig, gerade						
0	P 112	54.01.0020		1p	Pin, 1reihig, gerade						
0	P 113	54.02.0320		1p	PCB-Flachst 2.8*0.8, gerade						
0	Q 1	50.03.0407		BC550C	BC 550 C						
0	Q 2	50.03.1505		VN0808L	N-VMOS-FET 80V, 0.35A						
0	Q 3	50.03.1554		VP0808L	P-VMOS-FET 60V, 0.33A						
0	R 1	57.11.3474		470k	MF, 1%, 0207						
0	R 2	57.11.3103		10k	MF, 1%, 0207						
0	R 3	57.11.3103		10k	MF, 1%, 0207						
0	R 4	57.11.5475		4M7	MF, 5%, 0207						
0	R 5	57.11.3102		1k0	MF, 1%, 0207						
0	R 6	57.11.3222		2k2	MF, 1%, 0207						
0	R 7	57.11.3103		10k	MF, 1%, 0207						
0	R 8	57.11.3272		2k7	MF, 1%, 0207						
0	R 9	57.11.3104		100k	MF, 1%, 0207						
0	R 10	57.11.5225		2M2	MF, 5%, 0207						
0	R 11	57.11.3242		2k4	MF, 1%, 0207						
0	R 12	57.11.3103		10k	MF, 1%, 0207						
0	R 13	57.11.3103		10k	MF, 1%, 0207						
0	R 14	57.11.3103		10k	MF, 1%, 0207						
0	R 15	57.11.3242		2k4	MF, 1%, 0207						
0	R 16	57.11.5225		2M2	MF, 5%, 0207						
0	R 17	57.11.3474		470k	MF, 1%, 0207						
0	R 18	57.11.3103		10k	MF, 1%, 0207						
0	R 19	57.11.3272		2k7	MF, 1%, 0207						
0	R 20	57.11.3222		2k2	MF, 1%, 0207						
0	R 21	57.11.3751		750R	MF, 1%, 0207						
0	R 22	57.11.3221		220R	MF, 1%, 0207						
0	R 23	57.11.3103		10k	MF, 1%, 0207						
0	R 24	57.11.3223		22k	MF, 1%, 0207						
0	R 25	57.11.3223		22k	MF, 1%, 0207						
0	R 26	57.11.3103		10k	MF, 1%, 0207						
0	R 27	57.11.3473		47k	MF, 1%, 0207						
0	R 28	57.11.3473		47k	MF, 1%, 0207						
0	R 29	57.11.3103		10k	MF, 1%, 0207						
0	R 30	57.11.3103		10k	MF, 1%, 0207						
0	R 31	57.11.3103		10k	MF, 1%, 0207						
0	R 32	57.11.3103		10k	MF, 1%, 0207						
0	R 33	57.11.3103		10k	MF, 1%, 0207						
0	R 34	57.92.7014		0.65A	PTC 60V						
0	R 35	57.92.7014		0.65A	PTC 60V						
0	R 36	57.11.3103		10k	MF, 1%, 0207						
0	R 37	57.11.3101		100R	MF, 1%, 0207						
0	R 39	57.11.3101		100R	MF, 1%, 0207						
0	R 40	57.11.3101		100R	MF, 1%, 0207						
0	R 41	57.11.3101		100R	MF, 1%, 0207						
0	R 42	57.11.3101		100R	MF, 1%, 0207						
0	R 43	57.11.3103		10k	MF, 1%, 0207						
0	R 44	57.11.3101		100R	MF, 1%, 0207						
0	R 45	57.11.3103		10k	MF, 1%, 0207						
0	R 46	57.11.3102		1k0	MF, 1%, 0207						
0	R 47	57.92.7014		0.65A	PTC 60V						
0	R 48	57.11.3150		15R	MF, 1%, 0207						
0	R 49	57.11.3150		15R	MF, 1%, 0207						
0	RA 1	58.05.0104		100k	10%, 0.5W, Cermet						
0	RA 2	58.05.0104		100k	10%, 0.5W, Cermet						
0	RA 3	58.05.0104		100k	10%, 0.5W, Cermet						
0	RA 4	58.05.0202		2k0	10%, 0.5W, Cermet						
0	RA 5	58.05.0103		10k	10%, 0.5W, Cermet						
0	RA 6	58.05.0202		2k0	10%, 0.5W, Cermet						
0	RZ 1	57.88.4103		10k	8*R Resistor-Netw 2% SIP9						
0	RZ 2	57.88.4103		10k	8*R Resistor-Netw 2% SIP9						
0	RZ 3	57.88.4473		47k	8*R Resistor-Netw 2% SIP9						
0	RZ 4	57.88.4103		10k	8*R Resistor-Netw 2% SIP9						
0	RZ 5	57.88.4103		10k	8*R Resistor-Netw 2% SIP9						
0	RZ 6	57.88.4102		1k0	8*R Resistor-Netw 2% SIP9						
0	RZ 7	57.88.4473		47k	8*R Resistor-Netw 2% SIP9						
0	RZ 8	57.88.4103		10k	8*R Resistor-Netw 2% SIP9						
0	RZ 9	57.88.2101		100R	4*R Resistor-Netw 2% SIP9						
0	RZ 10	57.88.2101		100R	4*R Resistor-Netw 2% SIP9						
0	RZ 11	57.88.2101		100R	4*R Resistor-Netw 2% SIP9						
0	RZ 12	57.88.4104		100k	8*R Resistor-Netw 2% SIP9						
0	RZ 13	57.88.4103		10k	8*R Resistor-Netw 2% SIP9						
0	XIC 10	53.03.0166		8p	DIL 0.3", lötl, gerade						
0	XIC 11	53.03.0173		28p	DIL 0.6", lötl, gerade						
0	XIC 12	53.03.0168		16p	DIL 0.3", lötl, gerade						
0	XIC 13	53.03.0175		18p	DIL 0.3", lötl, gerade						
0	XIC 17	53.03.0166		8p	DIL 0.3", lötl, gerade						
0	XIC 18	53.03.2268		68p	PLCC-Socket						
0	XIC 31	53.03.0168		16p	DIL 0.3", lötl, gerade						
0	Y 1	89.01.1008		8.0000MHz	XTAL HC 18/U						

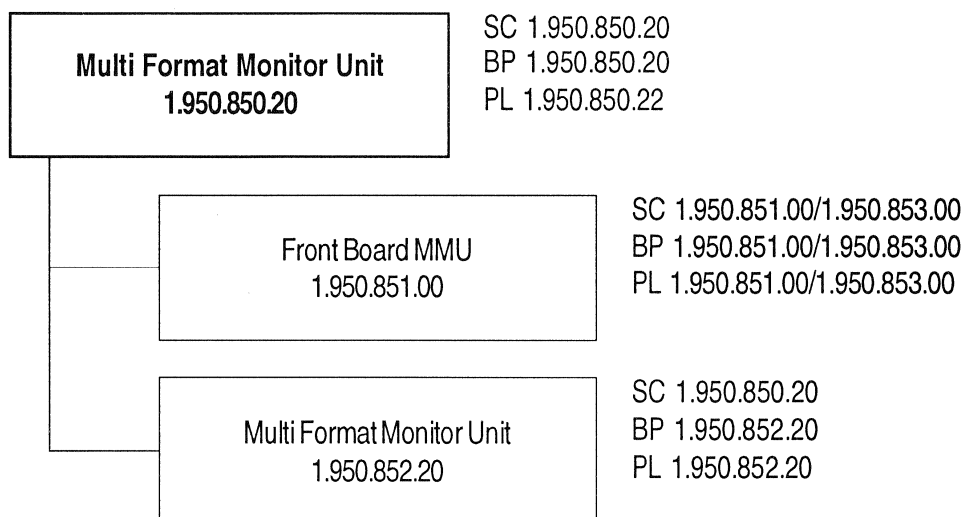
End of List

(01) IC11: Software changed from 1.990.993.30 to 1.950.976.20
 (02) D4: not used

SCHEMATA / CIRCUIT DIAGRAMS

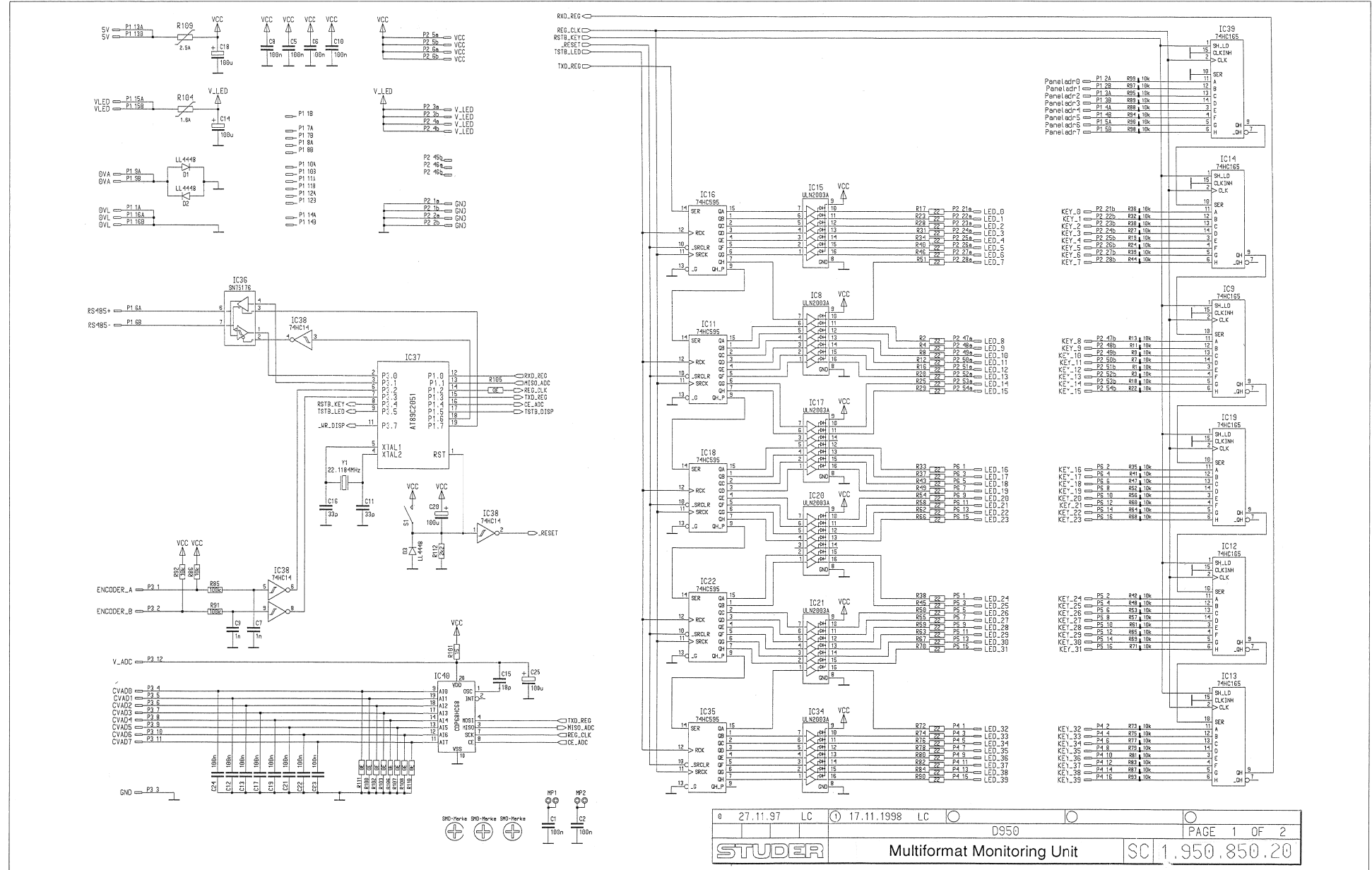
Monitor Units

Multi Format Monitoring Unit	1.950.850.22
Multi Format Monitoring Unit	1.950.852.20
Front Board MMU	1.950.851.00/1.950.853.00
Assignable Stam Selector	1.950.855.22
Front Board Assignable Stam Selector	1.950.856.00
CR Monitor Panel RS485	1.950.860.22
CR Monitor Switch Board	1.990.429.00
Panel Adapter RS485	1.950.891.20
Studio Monitor Panel RS485	1.950.870.22
Studio Monitor Switch Board	1.990.439.00
PFL/TB/HP Panel RS485	1.950.880.22
PFL/TB/Headphone Switch Board	1.990.449.00
Source Selector Panel RS485	1.950.890.22
Source Selector Switch Board	1.990.499.00

Multi Format Monitor Unit**I.950.850.20**

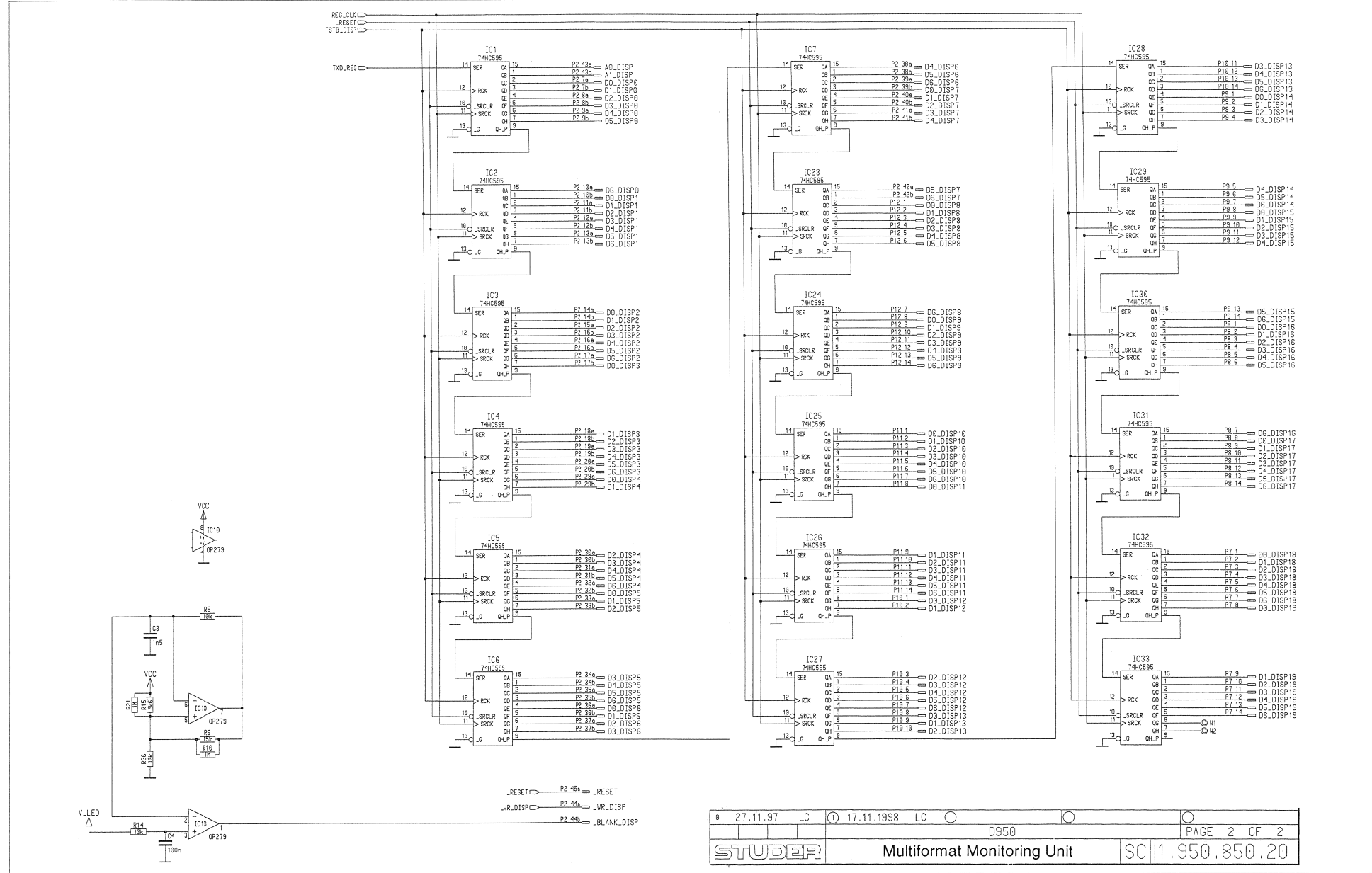
SC: Schema Circuit Diagram
BP: Bestückungsplan PCB Layout
PL: Positionsliste Positional List

Multiformat Monitoring Unit 1.950.850.20
Assignable Stam Selector 1.950.855.20

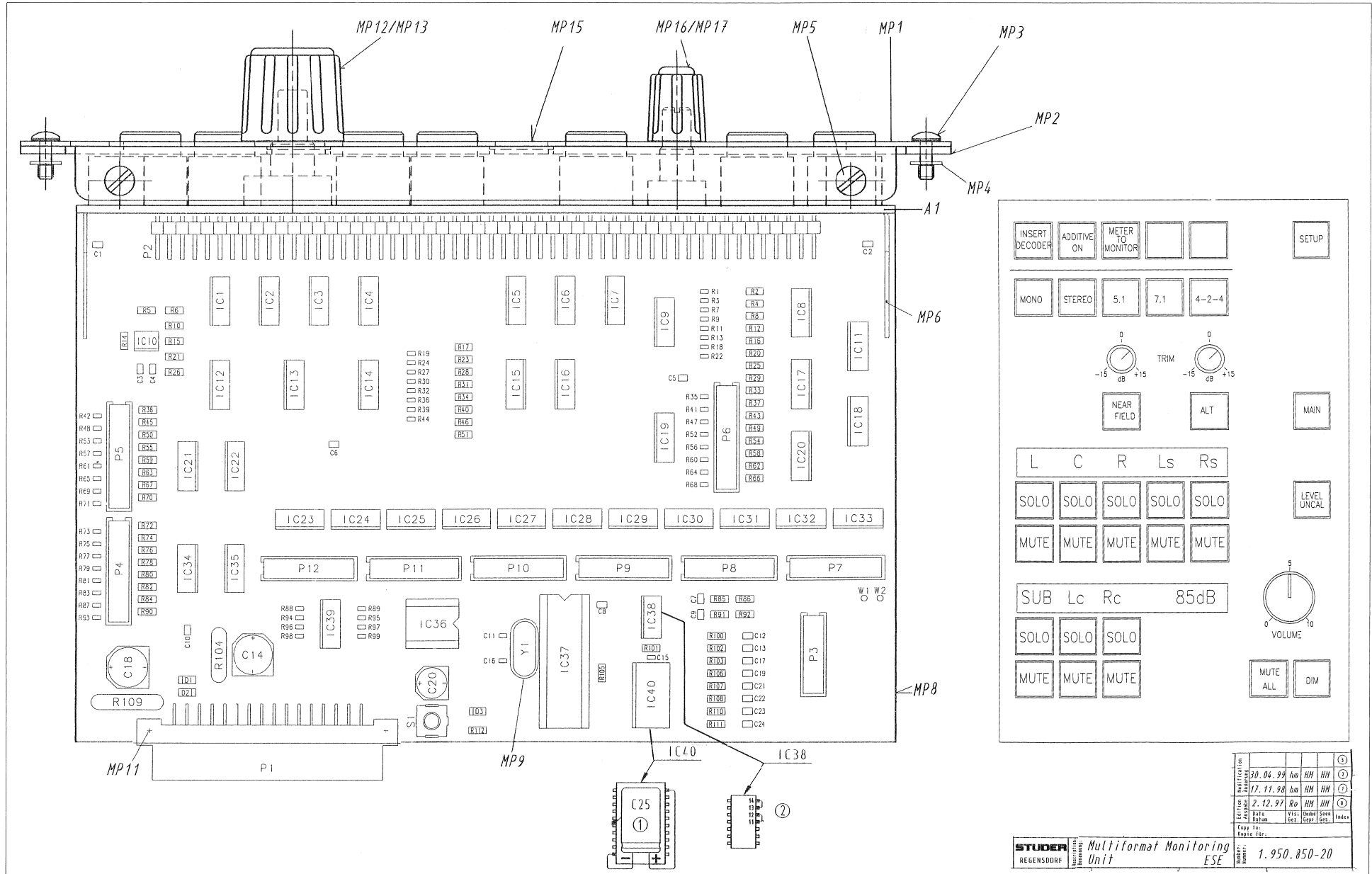




Multiformat Monitoring Unit 1.950.850.20
Assignable Stam Selector 1.950.855.20



Multiformat Monitoring Unit 1.950.850.20



SECTION 6

Editor	30.04.99	Am	HH	HH	①
Editor	17.11.98	bm	HH	HH	①
Editor	2.12.97	Ro	HH	HH	①
Date		Vis.	Druck	Seiten	Index
Druck		bez.	Copy	ges.	
Copy to:					
Reprint für:					

STUDER
REGENSDORF
Multiformat Monitoring Unit
ESE
1.950.850-20

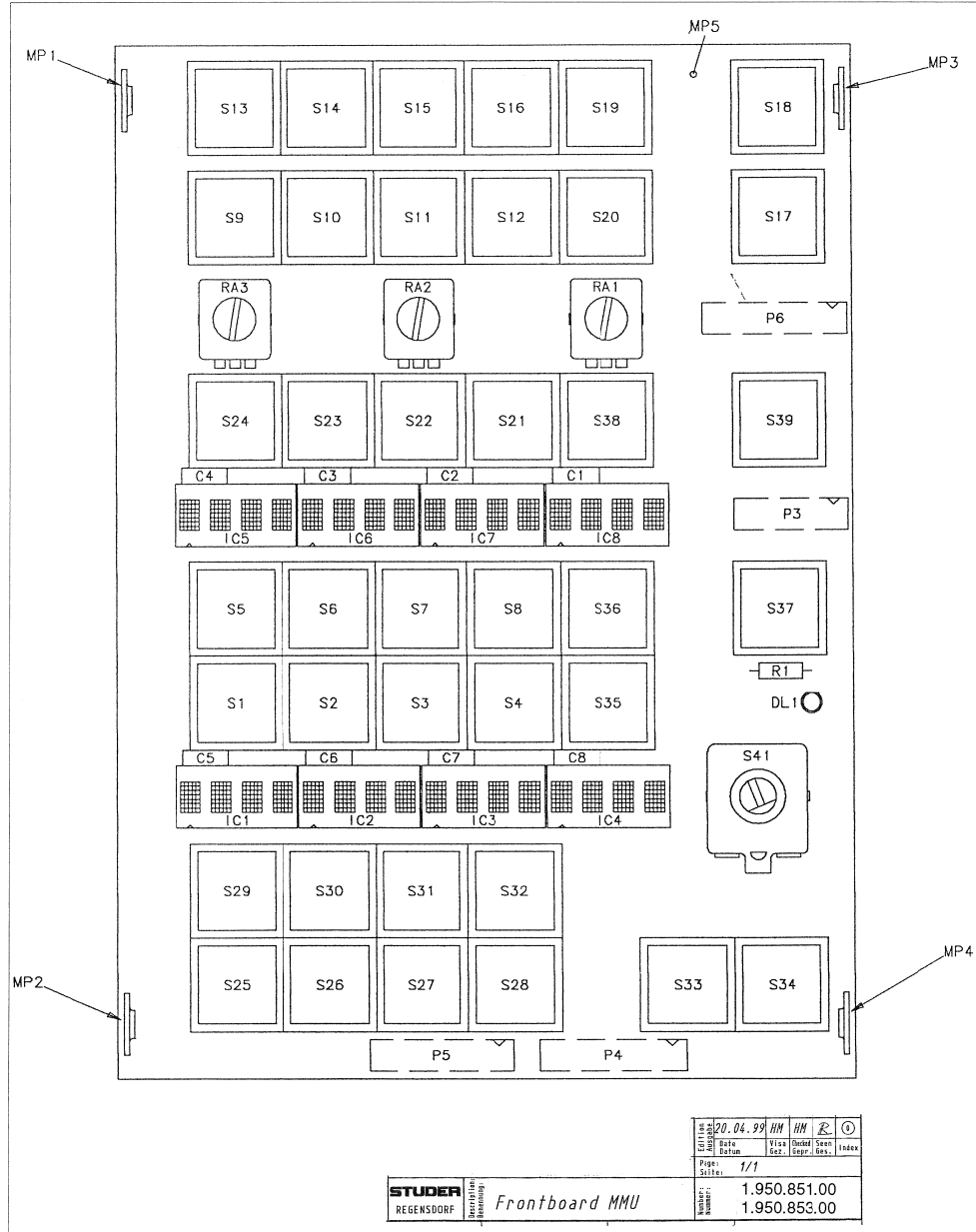


Multiformat Monitoring Unit 1.950.850.22

Idx	Pos.	Part No.	Qty.	Type/Val.	Description	Idx	Pos.	Part No.	Qty.	Type/Val.	Description	Idx	Pos.	Part No.	Qty.	Type/Val.	Description
0	A 1	1.950.850.01			MMU FRONT BOARD	0	MP 15	1.950.850.03	2 pcs		GRUENFILTER	0	R 71	57.89.1097	10k		CF 5% 0603
0	C 1	59.60.3337	100n		CER 50V, 10%, X7R, 0805	0	MP 16	42.01.0228	2 pcs		KNORRKNOPF GR D 10/4	0	R 72	57.89.1220	22R		MF, 1%, 0204, E24
0	C 2	59.60.3337	100n		CER 50V, 10%, X7R, 0805	0	MP 17	42.01.0261	2 pcs		DECKE, D'GR ZU KNOPF-D 1C	0	R 73	57.89.1097	10k		CF 5% 0603
0	C 3	59.60.3316	1n5		CER 50V, 10%, X7R, 0805	0	P 1	54.11.2013	32p		EU-BK 2*16p	0	R 74	57.89.1220	22R		MF, 1%, 0204, E24
0	C 4	59.60.3337	100n		CER 50V, 10%, X7R, 0805	0	P 2	54.11.0130	54 pcs	2p	P STIFT 2R VNNK 2 PIN+1 STK.	0	R 75	57.89.1097	10k		CF 5% 0603
0	C 5	59.60.3337	100n		CER 50V, 10%, X7R, 0805	0	P 3	54.14.5612	12p		PCB-Bushse gerade	0	R 76	57.89.1220	22R		MF, 1%, 0204, E24
0	C 6	59.60.3337	100n		CER 50V, 10%, X7R, 0805	0	P 4	54.14.5516	16p		PCB-Bushse gerade	0	R 77	57.89.1097	10k		CF 5% 0603
0	C 7	59.60.2373	1n0		CER 50V, 5%, COG, 0805	0	P 5	54.14.5516	16p		PCB-Bushse gerade	0	R 78	57.89.1220	22R		MF, 1%, 0204, E24
0	C 8	59.60.3337	100n		CER 50V, 10%, X7R, 0805	0	P 6	54.14.5516	16p		PCB-Bushse gerade	0	R 79	57.89.1097	10k		CF 5% 0603
0	C 9	59.60.2373	1n0		CER 50V, 5%, COG, 0805	0	P 7	not used	14p		PCB-Bushse gerade	0	R 80	57.89.1220	22R		MF, 1%, 0204, E24
0	C 10	59.60.3337	100n		CER 50V, 10%, X7R, 0805	0	P 8	not used	14p		PCB-Bushse gerade	0	R 81	57.89.1097	10k		CF 5% 0603
0	C 11	59.60.2237	33p		CER 50V, 5%, COG, 0803	0	P 9	not used	14p		PCB-Bushse gerade	0	R 82	57.89.1220	22R		MF, 1%, 0204, E24
0	C 12	59.60.3337	100n		CER 50V, 10%, X7R, 0805	0	P 10	not used	14p		PCB-Bushse gerade	0	R 83	57.89.1097	10k		CF 5% 0603
0	C 13	59.60.3337	100n		CER 50V, 10%, X7R, 0805	0	P 11	not used	14p		PCB-Bushse gerade	0	R 84	57.89.1220	22R		MF, 1%, 0204, E24
0	C 14	59.88.0071	100u		C-EL 16V, 8*0*6.3	0	P 12	not used	14p		PCB-Bushse gerade	0	R 85	57.89.1104	100K		MF, 1%, 0204, E24
0	C 15	59.60.2231	18p		CER 50V, 5%, COG, 0803	0	R 1	57.89.1097	10k		CF 5% 0603	0	R 86	57.89.1103	10k		MF, 1%, 0204, E24
0	C 16	59.60.2237	33p		CER 50V, 5%, COG, 0803	0	R 2	57.89.1220	22R		MF, 1%, 0204, E24	0	R 87	57.89.1097	10k		CF 5% 0603
0	C 17	59.60.3337	100n		CER 50V, 10%, X7R, 0805	0	R 3	57.89.1097	10k		CF 5% 0603	0	R 88	57.89.1097	10k		CF 5% 0603
0	C 18	59.88.0071	100u		C-EL 16V, 8*0*6.3	0	R 4	57.89.1220	22R		MF, 1%, 0204, E24	0	R 89	57.89.1097	10k		CF 5% 0603
0	C 19	59.60.3337	100n		CER 50V, 10%, X7R, 0805	0	R 5	57.89.1097	10k		CF 5% 0603	0	R 90	57.89.1220	22R		MF, 1%, 0204, E24
0	C 20	59.88.0028	100n		C-EL 16V, 8*0*6.3	0	R 6	57.89.1103	10k		MF, 1%, 0204, E24	0	R 91	57.89.1104	100K		MF, 1%, 0204, E24
0	C 21	59.60.3337	100n		CER 50V, 10%, X7R, 0805	0	R 7	57.89.1163	15K		MF, 1%, 0204, E24	0	R 92	57.89.1097	10k		CF 5% 0603
0	C 22	59.60.3337	100n		CER 50V, 10%, X7R, 0805	0	R 8	57.89.1097	10k		CF 5% 0603	0	R 93	57.89.1097	10k		CF 5% 0603
0	C 23	59.60.3337	100n		CER 50V, 10%, X7R, 0805	0	R 9	57.89.1220	22R		MF, 1%, 0204, E24	0	R 94	57.89.1097	10k		CF 5% 0603
0	C 24	59.60.3337	100n		CER 50V, 10%, X7R, 0805	0	R 10	57.89.1097	10k		CF 5% 0603	0	R 95	57.89.1097	10k		CF 5% 0603
1	C 25	59.41.4002	100u		EL 16V 20% RMS	0	R 11	57.89.1105	1M		MF, 1%, 0204, E24	0	R 96	57.89.1097	10k		CF 5% 0603
0	D 1	59.69.8001	4448		200mA 75V 4ns SOD 80	0	R 12	57.89.1097	10k		CF 5% 0603	0	R 97	57.89.1097	10k		CF 5% 0603
0	D 2	59.60.8001	4448		200mA 75V 4ns SOD 80	0	R 13	57.89.1220	22R		MF, 1%, 0204, E24	0	R 98	57.89.1097	10k		CF 5% 0603
0	D 3	59.60.8001	4448		200mA 75V 4ns SOD 80	0	R 14	57.89.1097	10k		CF 5% 0603	0	R 99	57.89.1097	10k		CF 5% 0603
0	IC 1	50.62.1595	74HC595	8bit	shft/output register	0	R 15	57.89.1103	10K		MF, 1%, 0204, E24	0	F 101	57.89.1150	15R		MF, 1%, 0204, E24
0	IC 2	50.62.1595	74HC595	8bit	shft/output register	0	R 16	57.89.1582	5K6		MF, 1%, 0204, E24	0	F 102	57.89.1000	0RO		MF, 0204
0	IC 3	50.62.1595	74HC595	8bit	shft/output register	0	R 17	57.89.1220	22R		MF, 1%, 0204, E24	0	F 103	57.89.1000	0RO		MF, 0204
0	IC 4	50.62.1595	74HC595	8bit	shft/output register	0	R 18	57.89.1097	10k		CF 5% 0603	0	F 104	57.82.7053	1.6A		POLY-PTC 30V
0	IC 5	50.62.1595	74HC595	8bit	shft/output register	0	R 19	57.89.1097	10k		CF 5% 0603	0	F 105	57.89.1000	0RO		MF, 0204
0	IC 6	50.62.1595	74HC595	8bit	shft/output register	0	R 20	57.89.1220	22R		MF, 1%, 0204, E24	0	F 106	57.89.1000	0RO		MF, 0204
0	IC 7	50.62.1595	74HC595	8bit	shft/output register	0	R 21	57.89.1105	1M		MF, 1%, 0204, E24	0	F 107	57.89.1000	0RO		MF, 0204
0	IC 8	50.62.1595	74HC595	8bit	shft/output register	0	R 22	57.89.1097	10k		CF 5% 0603	0	F 108	57.89.1000	0RO		MF, 0204
0	IC 9	50.62.1166	74HC165	8bit	shft register	0	R 23	57.89.1220	22R		MF, 1%, 0204, E24	0	F 109	57.82.7056	2.5A		POLY-PTC 30V
0	IC 10	50.61.0203	OP279	Dual	Op-Amp single supply	0	R 24	57.89.1097	10k		CF 5% 0603	0	F 110	57.89.1000	0RO		MF, 0204
0	IC 11	50.62.1595	74HC595	8bit	shft/output register	0	R 25	57.89.1220	22R		MF, 1%, 0204, E24	0	F 111	not used	0RO		MF, 0204
0	IC 12	50.62.1165	74HC165	8bit	shft register	0	R 26	57.89.1103	10K		MF, 1%, 0204, E24	0	F 112	57.89.1222	2K2		MF, 1%, 0204, E24
0	IC 13	50.62.1165	74HC165	8bit	shft register	0	R 27	57.89.1097	10k		CF 5% 0603	0	S 1	not used	1*s		SMD Tactswitch
0	IC 14	50.62.1165	74HC165	8bit	shft register	0	R 28	57.89.1220	22R		MF, 1%, 0204, E24	0	XIC 36	53.03.0168	8p		DIL 0.3" lot. gerade
0	IC 15	50.62.0130	ULN2003	7*	Darlington driver	0	R 29	57.89.1220	22R		MF, 1%, 0204, E24	0	XIC 37	53.03.0165	20p		DIL 0.3" lot. gerade
0	IC 16	50.62.1555	74HC595	8bit	shft/output register	0	R 30	57.89.1097	10k		CF 5% 0603						
0	IC 17	50.62.0130	ULN2003	7*	Darlington driver	0	R 31	57.89.1220	22R		MF, 1%, 0204, E24						
0	IC 18	50.62.1555	74HC595	8bit	shft/output register	0	R 32	57.89.1097	10k		CF 5% 0603						
0	IC 19	50.62.1165	74HC165	8bit	shft register	0	R 33	57.89.1220	22R		MF, 1%, 0204, E24						
0	IC 20	50.62.0130	ULN2003	7*	Darlington driver	0	R 34	57.89.1220	22R		MF, 1%, 0204, E24						
0	IC 21	50.62.0130	ULN2003	7*	Darlington driver	0	R 35	57.89.1097	10k		CF 5% 0603						
0	IC 22	50.62.1555	74HC595	8bit	shft/output register	0	R 36	57.89.1097	10k		CF 5% 0603						
0	IC 23	50.62.1555	74HC595	8bit	shft/output register	0	R 37	57.89.1220	22R		MF, 1%, 0204, E24						
0	IC 24	50.62.1555	74HC595	8bit	shft/output register	0	R 38	57.89.1220	22R		MF, 1%, 0204, E24						
0	IC 25	50.62.1555	74HC595	8bit	shft/output register	0	R 39	57.89.1097	10k		CF 5% 0603						
0	IC 26	50.62.1555	74HC595	8bit	shft/output register	0	R 40	57.89.1220	22R		MF, 1%, 0204, E24						
0	IC 27	50.62.1555	74HC595	8bit	shft/output register	0	R 41	57.89.1097	10k		CF 5% 0603						
0	IC 28	50.62.1555	74HC595	8bit	shft/output register	0	R 42	57.89.1097	10k		CF 5% 0603						
0	IC 29	50.62.1555	74HC595	8bit	shft/output register	0	R 43	57.89.1220	22R		MF, 1%, 0204, E24						
0	IC 30	50.62.1555	74HC595	8bit	shft/output register	0	R 44	57.89.1097	10k		CF 5% 0603						
0	IC 31	50.62.1555	74HC595	8bit	shft/output register	0	R 45	57.89.1220	22R		MF, 1%, 0204, E24						
0	IC 32	50.62.1555	74HC595	8bit	shft/output register	0	R 46	57.89.1097	10k		CF 5% 0603						
0	IC 33	50.62.1555	74HC595	8bit	shft/output register	0	R 47	57.89.1220	22R		MF, 1%, 0204, E24						
0	IC 34	50.62.0130	ULN2003	7*	Darlington driver	0	R 48	57.89.1097	10k		CF 5% 0603						
0	IC 35	50.62.1555	74HC595	8bit	shft/output register	0	R 49	57.89.1220	22R		MF, 1%, 0204, E24						
0	IC 36	50.15.0116	75176	IC	SN 75176 BP, DS 3895 N,	0	R 50	57.89									



Front Board MMU 1.950.851.00 / 1.950.853.00



Idx.	Pos.	Part No.	Qty.	Type/Val.	Description
0	C 1	59.06.0104	100n	PETP, 63V, 10%, RM5	
0	C 2	59.06.0104	100n	PETP, 63V, 10%, RM5	
0	C 3	59.06.0104	100n	PETP, 63V, 10%, RM5	
0	C 4	59.06.0104	100n	PETP, 63V, 10%, RM5	
0	C 5	59.06.0104	100n	PETP, 63V, 10%, RM5	
0	C 6	59.06.0104	100n	PETP, 63V, 10%, RM5	
0	C 7	59.06.0104	100n	PETP, 63V, 10%, RM5	
0	C 8	59.06.0104	100n	PETP, 63V, 10%, RM5	
0	DL 1	not used	LS3360	DL LS 3360, RT DIFF	
0	IC 1	73.01.0408	4diglt	5*7 Dot matrix display green	
0	IC 2	73.01.0408	4diglt	5*7 Dot matrix display green	
0	IC 3	73.01.0408	4diglt	5*7 Dot matrix display green	
0	IC 4	73.01.0408	4diglt	5*7 Dot matrix display green	
0	IC 5	73.01.0408	4diglt	5*7 Dot matrix display green	
0	IC 6	73.01.0408	4diglt	5*7 Dot matrix display green	
0	IC 7	73.01.0408	4diglt	5*7 Dot matrix display green	
0	IC 8	73.01.0408	4diglt	5*7 Dot matrix display green	
0	MP 1	1.990.100.05	mp	QUERPRINTHALTER	
0	MP 2	1.990.100.05	mp	QUERPRINTHALTER	
0	MP 3	1.990.100.05	mp	QUERPRINTHALTER	
0	MP 4	1.990.100.05	mp	QUERPRINTHALTER	
0	MP 5	1.950.851.11	1 pce	MMU FRONT PCB	
0	MP 6	1.950.851.04	1 pce	NR, ETIKETTE 5x20	
0	P 3	1.023.391.14		FLACHKABEL 16 POL, 0.14M	
0	P 4	1.023.391.14		FLACHKABEL 16 POL, 0.14M	
0	P 5	1.023.391.14		FLACHKABEL 16 POL, 0.14M	
0	P 6	1.023.391.14		FLACHKABEL 16 POL, 0.14M	
0	R 1	57.11.3820	82R	MF, 1%, 0207	
0	RA 1	1.950.951.01		POTENTIOMETER NACHARBEIT	
0	RA 2	1.950.851.01		POTENTIOMETER NACHARBEIT	
0	RA 3	not used	10k	1*R, lin	
0	S 1	55.15.0704	1* _a	S TASTE 1* _a , 12MM, GB/TRANS	
0	S 2	55.15.0704	1* _a	S TASTE 1* _a , 12MM, GB/TRANS	
0	S 3	55.15.0704	1* _a	S TASTE 1* _a , 12MM, GB/TRANS	
0	S 4	55.15.0704	1* _a	S TASTE 1* _a , 12MM, GB/TRANS	
0	S 5	55.15.0704	1* _a	S TASTE 1* _a , 12MM, GB/TRANS	
0	S 6	55.15.0704	1* _a	S TASTE 1* _a , 12MM, GB/TRANS	
0	S 7	55.15.0704	1* _a	S TASTE 1* _a , 12MM, GB/TRANS	
0	S 8	55.15.0704	1* _a	S TASTE 1* _a , 12MM, GB/TRANS	
0	S 9	55.15.0704	1* _a	S TASTE 1* _a , 12MM, GB/TRANS	
0	S 10	55.15.0704	1* _a	S TASTE 1* _a , 12MM, GB/TRANS	
0	S 11	55.15.0704	1* _a	S TASTE 1* _a , 12MM, GB/TRANS	
0	S 12	55.15.0704	1* _a	S TASTE 1* _a , 12MM, GB/TRANS	
0	S 13	55.15.0704	1* _a	S TASTE 1* _a , 12MM, GB/TRANS	
0	S 14	55.15.0704	1* _a	S TASTE 1* _a , 12MM, GB/TRANS	
0	S 15	55.15.0704	1* _a	S TASTE 1* _a , 12MM, GB/TRANS	
0	S 16	55.15.0704	1* _a	S TASTE 1* _a , 12MM, GB/TRANS	
0	S 17	not used	1* _a	S TASTE 1* _a , 12MM, GB/TRANS	
0	S 18	55.15.0704	1* _a	S TASTE 1* _a , 12MM, GB/TRANS	
0	S 19	55.15.0704	1* _a	S TASTE 1* _a , 12MM, GB/TRANS	
0	S 20	55.15.0704	1* _a	S TASTE 1* _a , 12MM, GB/TRANS	
0	S 21	not used	1* _a	S TASTE 1* _a , 12MM, GB/TRANS	
0	S 22	55.15.0704	1* _a	S TASTE 1* _a , 12MM, GB/TRANS	
0	S 23	not used	1* _a	S TASTE 1* _a , 12MM, GB/TRANS	
0	S 24	not used	1* _a	S TASTE 1* _a , 12MM, GB/TRANS	
0	S 25	55.15.0704	1* _a	S TASTE 1* _a , 12MM, GB/TRANS	
0	S 26	55.15.0704	1* _a	S TASTE 1* _a , 12MM, GB/TRANS	
0	S 27	55.15.0704	1* _a	S TASTE 1* _a , 12MM, GB/TRANS	
0	S 28	not used	1* _a	S TASTE 1* _a , 12MM, GB/TRANS	
0	S 29	55.15.0704	1* _a	S TASTE 1* _a , 12MM, GB/TRANS	
0	S 30	55.15.0704	1* _a	S TASTE 1* _a , 12MM, GB/TRANS	
0	S 31	55.15.0704	1* _a	S TASTE 1* _a , 12MM, GB/TRANS	
0	S 32	not used	1* _a	S TASTE 1* _a , 12MM, GB/TRANS	
0	S 33	55.15.0704	1* _a	S TASTE 1* _a , 12MM, GB/TRANS	
0	S 34	55.15.0704	1* _a	S TASTE 1* _a , 12MM, GB/TRANS	
0	S 35	55.15.0704	1* _a	S TASTE 1* _a , 12MM, GB/TRANS	
0	S 36	55.15.0704	1* _a	S TASTE 1* _a , 12MM, GB/TRANS	
0	S 37	55.15.0704	1* _a	S TASTE 1* _a , 12MM, GB/TRANS	
0	S 38	55.15.0704	1* _a	S TASTE 1* _a , 12MM, GB/TRANS	
0	S 39	55.15.0704	1* _a	S TASTE 1* _a , 12MM, GB/TRANS	
0	S 41	55.12.1303	N=24	Drehgeber mit Rasterung	

Idx.	Pos.	Part No.	Qty.	Type/Val.	Description
0	XIC 1	53.03.0167	14p	DIL 0.3" löt, gerade	
0	XIC 2	53.03.0167	14p	DIL 0.3" löt, gerade	
0	XIC 3	53.03.0167	14p	DIL 0.3" löt, gerade	
0	XIC 4	53.03.0167	14p	DIL 0.3" löt, gerade	
0	XIC 5	53.03.0167	14p	DIL 0.3" löt, gerade	
0	XIC 6	53.03.0167	14p	DIL 0.3" löt, gerade	
0	XIC 7	53.03.0167	14p	DIL 0.3" löt, gerade	
0	XIC 8	53.03.0167	14p	DIL 0.3" löt, gerade	

End of List

Comments

1.950.853.00

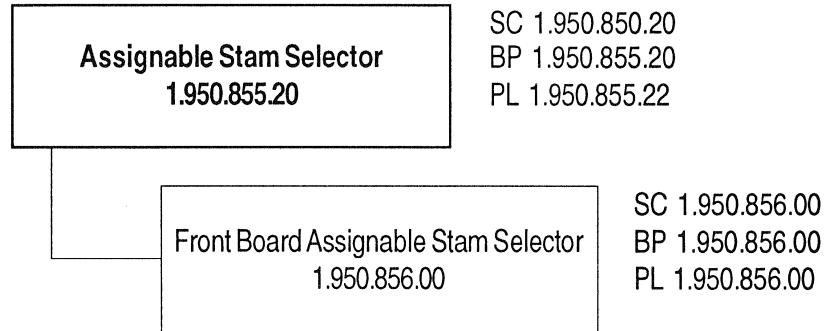
0	RA 1	not used		POTENTIOMETER NACHARBEIT
0	RA 2	not used		POTENTIOMETER NACHARBEIT
0	RA 3	not used	10k	1*R, lin

Edi	Lib	20.04.99	HM	HM	R	©
Author:	Date:	20.04.99	HM	HM	R	©
Drawn:	Visa:					
Checked:	Exp:					
Index:	Seen:					

STUDER REGENSDORF Frontboard MMU
 Number: 1.950.851.00
 Number: 1.950.853.00

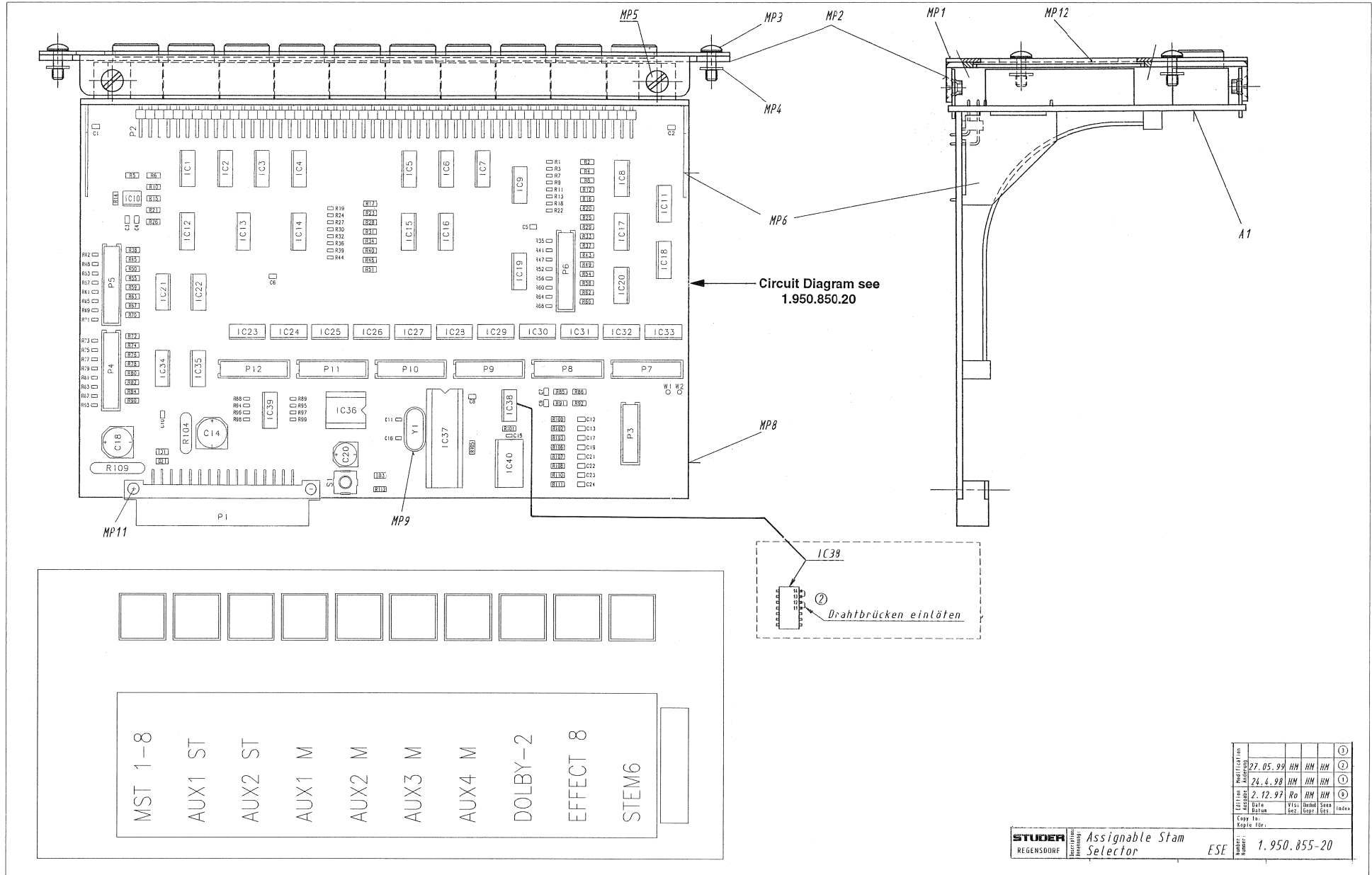
Assignable Stam Selector

I.950.855.20



SC: Schema Circuit Diagram
BP: Bestückungsplan PCB Layout
PL: Positionsliste Positional List

Assignable Stam Selector 1.950.855.20



Modif. (C) von	27.05.99	HM	HM	HM	Ⓢ
Modif. (C) von	24.4.98	HM	HM	HM	Ⓢ
Modif. (C) von	2.12.97	Ro	HM	HM	Ⓢ
Modif. (C) von		bez.	loggt	Gen.	linkw.

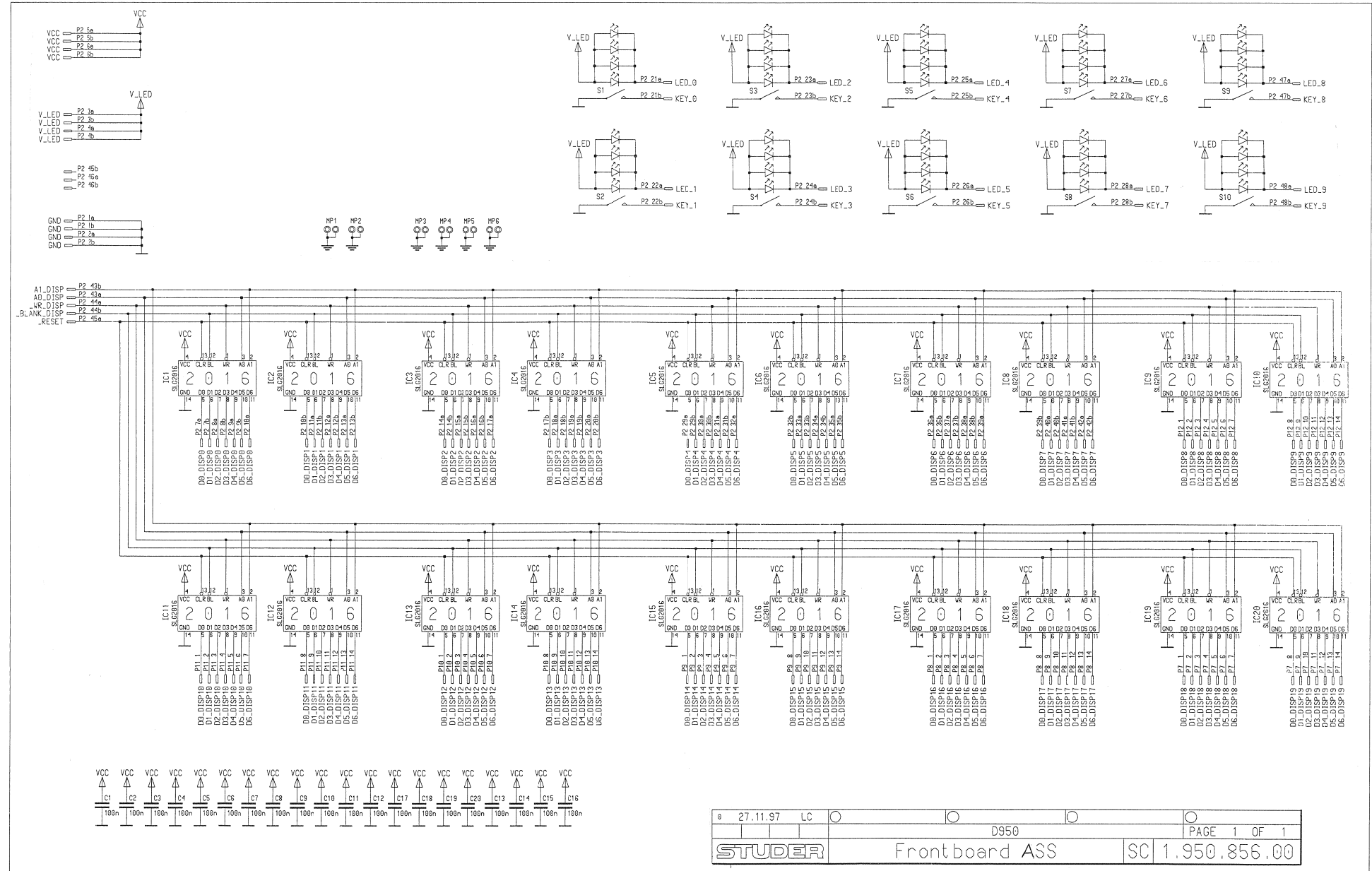
STUDER REGENSDORF Assignable Stam Selector ESE 1.950.855-20



Assignable Stam Selector 1.950.855.22

Idx	Pos.	Part No.	Qty.	Type/Val.	Description	Idx	Pos.	Part No.	Qty.	Type/Val.	Description	Idx	Pos.	Part No.	Qty.	Type/Val.	Description
0	A 1	1.950.856.00	1	pcse	ASS FRONT BOARD	0	P 1	54.11.2013	32p		EU-BK 216p	0	R 75	57.69.1097	10k		CF 5% 0603
0	C 1	59.60.3337	100n		CER 50V, 10%, X7R, 0805	0	P 2	54.11.0130	54 pcs	2p	P STIFTZUR WINKL 2 PIN=1 STK	0	R 76	57.63.1220	22R		MF, 1%, 0204, E24
0	C 2	59.60.3337	100n		CER 50V, 10%, X7R, 0805	0	P 3	not used	12p		PCB-Bucuse gerade	0	R 77	57.69.1097	10k		CF 5% 0603
0	C 3	59.60.3315	1n5		CER 50V, 10%, X7R, 0805	0	P 4	not used	16p		PCB-Bucuse gerade	0	R 78	57.63.1220	22R		MF, 1%, 0204, E24
0	C 4	59.60.3337	100n		CER 50V, 10%, X7R, 0805	0	P 5	not used	16p		PCB-Bucuse gerade	0	R 79	57.63.1097	10k		CF 5% 0603
0	C 5	59.60.3337	100n		CER 50V, 10%, X7R, 0805	0	P 6	not used	16p		PCB-Bucuse gerade	0	R 80	57.63.1220	22R		MF, 1%, 0204, E24
0	C 6	59.60.3337	100n		CER 50V, 10%, X7R, 0805	0	P 7	54.14.5514	14p		PCB-Bucuse gerade	0	R 81	57.63.1097	10k		CF 5% 0603
0	C 7	59.60.2373	1n0		CER 50V, 5%, COG, 0805	0	P 8	54.14.5514	14p		PCB-Bucuse gerade	0	R 82	57.63.1220	22R		MF, 1%, 0204, E24
0	C 8	59.60.3337	100n		CER 50V, 10%, X7R, 0805	0	P 9	54.14.5514	14p		PCB-Bucuse gerade	0	R 83	57.69.1097	10k		CF 5% 0603
0	C 9	59.60.2373	1n0		CER 50V, 5%, COG, 0805	0	P 11	54.14.5514	14p		PCB-Bucuse gerade	0	R 85	57.63.1104	100K		MF, 1%, 0204, E24
0	C 10	59.60.3337	100n		CER 50V, 10%, X7R, 0805	0	P 12	54.14.5514	14p		PCB-Bucuse gerade	0	R 86	57.63.1103	10K		MF, 1%, 0204, E24
0	C 11	59.60.2237	33p		CER 50V, 5%, COG, 0603	0	R 1	57.69.1097	10k		CF 5% 0603	0	R 87	57.69.1097	10k		CF 5% 0603
0	C 12	not used	100n		CER 50V, 10%, X7R, 0805	0	R 2	57.69.1097	10k		CF 5% 0603	0	R 88	57.69.1097	10k		CF 5% 0603
0	C 13	not used	100n		CER 50V, 10%, X7R, 0805	0	R 1	57.60.1220	22R		MF, 1%, 0204, E24	0	R 89	57.69.1097	10k		CF 5% 0603
0	C 14	59.68.0071	100u		C-EL 16V, 8.0*8.3	0	R 2	57.69.1097	10k		CF 5% 0603	0	R 90	57.60.1220	22R		MF, 1%, 0204, E24
0	C 15	not used	15p		CER 50V, 5%, COG, 0603	0	R 4	57.60.1220	22R		MF, 1%, 0204, E24	0	R 91	57.60.1104	100K		MF, 1%, 0204, E24
0	C 16	59.60.2237	33p		CER 50V, 5%, COG, 0603	0	R 5	57.60.1103	10K		MF, 1%, 0204, E24	0	R 92	57.60.1103	10K		MF, 1%, 0204, E24
0	C 17	not used	100n		CER 50V, 10%, X7R, 0805	0	R 6	57.60.1153	15K		MF, 1%, 0204, E24	0	R 93	57.69.1097	10k		CF 5% 0603
0	C 18	59.68.0071	100u		C-EL 16V, 8.0*8.3	0	R 7	57.69.1097	10k		CF 5% 0603	0	R 94	57.69.1097	10k		CF 5% 0603
0	C 19	not used	100n		CER 50V, 10%, X7R, 0805	0	R 8	57.60.1220	22R		MF, 1%, 0204, E24	0	R 95	57.69.1097	10k		CF 5% 0603
0	C 20	59.69.0029	100u		C-EL 6V, 8.3*5.7	0	R 9	57.69.1097	10k		CF 5% 0603	0	R 96	57.69.1097	10k		CF 5% 0603
0	C 21	not used	100n		CER 50V, 10%, X7R, 0805	0	R 10	57.60.1105	10k		MF, 1%, 0204, E24	0	R 97	57.69.1097	10k		CF 5% 0603
0	C 22	not used	100n		CER 50V, 10%, X7R, 0805	0	R 11	57.69.1097	10k		CF 5% 0603	0	R 98	57.69.1097	10k		CF 5% 0603
0	C 23	not used	100n		CER 50V, 10%, X7R, 0805	0	R 12	57.60.1220	22R		MF, 1%, 0204, E24	0	R 99	57.69.1097	10k		CF 5% 0603
0	C 24	not used	100n		CER 50V, 10%, X7R, 0805	0	R 13	57.69.1097	10k		CF 5% 0603	0	R 100	nct used	0R0		MF, 0204
0	D 1	50.60.8001	4448		200mA 75V 4ns SOD 80	0	R 14	57.60.1103	10K		MF, 1%, 0204, E24	0	R 101	nct used	15R		MF, 1%, 0204, E24
0	D 2	50.60.8001	4448		200mA 75V 4ns SOD 80	0	R 15	57.60.1562	5K6		MF, 1%, 0204, E24	0	R 102	nct used	0R0		MF, 0204
0	D 3	50.60.8001	4448		200mA 75V 4ns SOD 80	0	R 16	57.60.1220	22R		MF, 1%, 0204, E24	0	R 103	nct used	0R0		MF, 0204
0	IC 1	50.62.1595	74HC595		8bit shift/output register	0	R 17	57.60.1220	22R		MF, 1%, 0204, E24	0	R 104	57.62.7053	1.6A		POLY-PTC, 30V
0	IC 2	50.62.1595	74HC595		8bit shift/output register	0	R 18	57.69.1097	10k		CF 5% 0603	0	R 105	57.69.1097	10k		MF, 0204
0	IC 3	50.62.1595	74HC595		8bit shift/output register	0	R 19	57.60.1220	22R		MF, 1%, 0204, E24	0	R 106	nct used	0R0		MF, 0204
0	IC 4	50.62.1595	74HC595		8bit shift/output register	0	R 20	57.60.1105	10k		MF, 1%, 0204, E24	0	R 107	nct used	0R0		MF, 0204
0	IC 5	50.62.1595	74HC595		8bit shift/output register	0	R 21	57.69.1097	10k		CF 5% 0603	0	R 108	nct used	0R0		MF, 0204
0	IC 6	50.62.1595	74HC595		8bit shift/output register	0	R 22	57.69.1097	10k		CF 5% 0603	0	R 109	57.62.7056	2.5A		POLY-PTC, 30V
0	IC 7	50.62.1595	74HC595		8bit shift/output register	0	R 23	57.60.1220	22R		MF, 1%, 0204, E24	0	R 110	nct used	0R0		MF, 0204
0	IC 8	50.62.1595	74HC595		8bit shift/output register	0	R 24	57.69.1097	10k		CF 5% 0603	0	R 111	nct used	0R0		MF, 0204
0	IC 9	50.62.0130	ULN2003		7-Darlington driver	0	R 25	57.60.1220	22R		MF, 1%, 0204, E24	0	R 112	57.60.1222	2K2		MF, 1%, 0204, E24
0	IC 10	50.62.1165	74HC155		8bit shift register	0	R 26	57.60.1103	10K		MF, 1%, 0204, E24	0	S 1	nct used	1's		SMD Tactswitch
0	IC 11	50.61.0203	OP279		Dual Op-Amp single supply	0	R 27	57.69.1097	10k		CF 5% 0603	0	XIC 36	53.03.0166	5p		DIL 0.3", lot, gerade
0	IC 12	50.62.1595	74HC595		8bit shift/output register	0	R 28	57.60.1220	22R		MF, 1%, 0204, E24	0	XIC 37	53.03.0165	20p		DIL 0.3", lot, gerade
0	IC 13	50.62.1165	74HC155		8bit shift register	0	R 29	57.69.1097	10k		CF 5% 0603	0					
0	IC 14	50.62.1165	74HC155		8bit shift register	0	R 30	57.60.1220	22R		MF, 1%, 0204, E24	0					
0	IC 15	50.62.1165	74HC155		8bit shift register	0	R 31	57.69.1097	10k		CF 5% 0603	0					
0	IC 16	50.62.0130	ULN2003		7-Darlington driver	0	R 32	57.69.1097	10k		CF 5% 0603	0					
0	IC 17	50.62.1165	74HC155		8bit shift register	0	R 33	57.60.1220	22R		MF, 1%, 0204, E24	0					
0	IC 18	50.62.1165	74HC155		8bit shift register	0	R 34	57.60.1220	22R		MF, 1%, 0204, E24	0					
0	IC 19	50.62.1165	74HC155		8bit shift register	0	R 35	57.69.1097	10k		CF 5% 0603	0					
0	IC 20	50.62.0130	ULN2003		7-Darlington driver	0	R 36	57.69.1097	10k		CF 5% 0603	0					
0	IC 21	50.62.0130	ULN2003		7-Darlington driver	0	R 37	57.60.1220	22R		MF, 1%, 0204, E24	0					
0	IC 22	50.62.1595	74HC595		8bit shift/output register	0	R 38	57.60.1220	22R		MF, 1%, 0204, E24	0					
0	IC 23	50.62.1595	74HC595		8bit shift/output register	0	R 39	57.69.1097	10k		CF 5% 0603	0					
0	IC 24	50.62.1595	74HC595		8bit shift/output register	0	R 40	57.60.1220	22R		MF, 1%, 0204, E24	0					
0	IC 25	50.62.1595	74HC595		8bit shift/output register	0	R 41	57.69.1097	10k		CF 5% 0603	0					
0	IC 26	50.62.1595	74HC595		8bit shift/output register	0	R 42	57.69.1097	10k		CF 5% 0603	0					
0	IC 27	50.62.1595	74HC595		8bit shift/output register	0	R 43	57.60.1220	22R		MF, 1%, 0204, E24	0					
0	IC 28	50.62.1595	74HC595		8bit shift/output register	0	R 44	57.69.1097	10k		CF 5% 0603	0					
0	IC 29	50.62.1595	74HC595		8bit shift/output register	0	R 45	57.60.1220	22R		MF, 1%, 0204, E24	0					
0	IC 30	50.62.1595	74HC595		8bit shift/output register	0	R 46	57.60.1220	22R		MF, 1%, 0204, E24	0					
0	IC 31	50.62.1595	74HC595		8bit shift/output register	0	R 47	57.69.1097	10k		CF 5% 0603	0					
0	IC 32	50.62.1595	74HC595		8bit shift/output register	0	R 48	57.69.1097	10k		CF 5% 0603	0					
0	IC 33	50.62.1595	74HC595		8bit shift/output register	0	R 49	57.60.1220	22R		MF, 1%, 0204, E24	0					
0	IC 34	50.62.1595	74HC595		8bit shift/output register	0	R 50	57.60.1220	22R		MF, 1%, 0204, E24	0					
0	IC 35	50.62.1595	74HC595		8bit shift/output register	0	R 51	57.60.1220	22R		MF, 1%, 0204, E24	0					
0	IC 36	50.15.0*15	75176		IC SN 75176 BP, DE 3695 N	0	R 52	57.69.1097	10k		CF 5% 0603	0					
0	IC 37	1.950.907.22			SW 855 ASS (50.16.0313)	0	R 53	57.60.1220	22R		MF, 1%, 0204, E24	0					
0	IC 38	50.62.1014	74HC 14		Hex Schmitt trigger inverter	0	R 54	57.69.1097	10k		CF 5% 0603	0					

Front Board Assignable Stam Selector 1.950.856.00



Front Board Assignable Stam Selector 1.950.856.00

Idx.	Pos.	Part No.	Qty.	Type/Val.	Description	Idx.	Pos.	Part No.	Qty.	Type/Val.	Description
0	C 1	59.06.0104	100n		PETP, 63V, 10%, RM5	0	XIC 16	53.03.0167	14p		DIL 0.3", Iöt, gerade
0	C 2	59.06.0104	100n		PETP, 63V, 10%, RM5	0	XIC 17	53.03.0167	14p		DIL 0.3", Iöt, gerade
0	C 3	59.06.0104	100n		PETP, 63V, 10%, RM5	0	XIC 18	53.03.0167	14p		DIL 0.3", Iöt, gerade
0	C 4	59.06.0104	100n		PETP, 63V, 10%, RM5	0	XIC 19	53.03.0167	14p		DIL 0.3", Iöt, gerade
0	C 5	59.06.0104	100n		PETP, 63V, 10%, RM5	0	XIC 20	53.03.0167	14p		DIL 0.3", Iöt, gerade
0	C 6	59.06.0104	100n		PETP, 63V, 10%, RM5	End of List					
0	C 7	59.06.0104	100n		PETP, 63V, 10%, RM5	Comments					
0	C 8	59.06.0104	100n		PETP, 63V, 10%, RM5						
0	C 9	59.06.0104	100n		PETP, 63V, 10%, RM5						
0	C 10	59.06.0104	100n		PETP, 63V, 10%, RM5						
0	C 11	59.06.0104	100n		PETP, 63V, 10%, RM5						
0	C 12	59.06.0104	100n		PETP, 63V, 10%, RM5						
0	C 13	59.06.0104	100n		PETP, 63V, 10%, RM5						
0	C 14	59.06.0104	100n		PETP, 63V, 10%, RM5						
0	C 15	59.06.0104	100n		PETP, 63V, 10%, RM5						
0	C 16	59.06.0104	100n		PETP, 63V, 10%, RM5						
0	C 17	59.06.0104	100n		PETP, 63V, 10%, RM5						
0	C 18	59.06.0104	100n		PETP, 63V, 10%, RM5						
0	C 19	59.06.0104	100n		PETP, 63V, 10%, RM5						
0	C 20	59.06.0104	100n		PETP, 63V, 10%, RM5						
0	IC 1	73.01.0408	4digit		5*7 Dot matrix display green						
0	IC 2	73.01.0408	4digit		5*7 Dot matrix display green						
0	IC 3	73.01.0408	4digit		5*7 Dot matrix display green						
0	IC 4	73.01.0408	4digit		5*7 Dot matrix display green						
0	IC 5	73.01.0408	4digit		5*7 Dot matrix display green						
0	IC 6	73.01.0408	4digit		5*7 Dot matrix display green						
0	IC 7	73.01.0408	4digit		5*7 Dot matrix display green						
0	IC 8	73.01.0408	4digit		5*7 Dot matrix display green						
0	IC 9	73.01.0408	4digit		5*7 Dot matrix display green						
0	IC 10	73.01.0408	4digit		5*7 Dot matrix display green						
0	IC 11	73.01.0408	4digit		5*7 Dot matrix display green						
0	IC 12	73.01.0408	4digit		5*7 Dot matrix display green						
0	IC 13	73.01.0408	4digit		5*7 Dot matrix display green						
0	IC 14	73.01.0408	4digit		5*7 Dot matrix display green						
0	IC 15	73.01.0408	4digit		5*7 Dot matrix display green						
0	IC 16	73.01.0408	4digit		5*7 Dot matrix display green						
0	IC 17	73.01.0408	4digit		5*7 Dot matrix display green						
0	IC 18	73.01.0408	4digit		5*7 Dot matrix display green						
0	IC 19	73.01.0408	4digit		5*7 Dot matrix display green						
0	IC 20	73.01.0408	4digit		5*7 Dot matrix display green						
0	MP 1	1.996.100.05	mp		QUERPRINHALTER						
0	MP 2	1.996.100.05	mp		QUERPRINHALTER						
0	MP 3	1.996.100.05	mp		QUERPRINHALTER						
0	MP 4	1.996.100.05	mp		QUERPRINHALTER						
0	MP 5	1.950.856.11	1 pce		ASS FRONT PCB						
0	MP 6	1.950.856.04	1 pce		NR. ETIKETTE 6x20						
0	P 2	not used	2p		P STIFT,2R WNKL 2 PIN=1 STK.						
0	P 7	1.023.391.11			FLACHKABEL 14 POL. 0.11M						
0	P 8	1.023.391.11			FLACHKABEL 14 POL. 0.11M						
0	P 9	1.023.391.11			FLACHKABEL 14 POL. 0.11M						
0	P 10	1.023.391.11			FLACHKABEL 14 POL. 0.11M						
0	P 11	1.023.391.11			FLACHKABEL 14 POL. 0.11M						
0	P 12	1.023.391.11			FLACHKABEL 14 POL. 0.11M						
0	S 1	55.15.0704	1*a		S TASTE 1*A, 12MM, GB/TRANS						
0	S 2	55.15.0704	1*a		S TASTE 1*A, 12MM, GB/TRANS						
0	S 3	55.15.0704	1*a		S TASTE 1*A, 12MM, GB/TRANS						
0	S 4	55.15.0704	1*a		S TASTE 1*A, 12MM, GB/TRANS						
0	S 5	55.15.0704	1*a		S TASTE 1*A, 12MM, GB/TRANS						
0	S 6	55.15.0704	1*a		S TASTE 1*A, 12MM, GB/TRANS						
0	S 7	55.15.0704	1*a		S TASTE 1*A, 12MM, GB/TRANS						
0	S 8	55.15.0704	1*a		S TASTE 1*A, 12MM, GB/TRANS						
0	S 9	55.15.0704	1*a		S TASTE 1*A, 12MM, GB/TRANS						
0	S 10	55.15.0704	1*a		S TASTE 1*A, 12MM, GB/TRANS						
0	XIC 1	53.03.0167	14p		DIL 0.3", Iöt, gerade						
0	XIC 2	53.03.0167	14p		DIL 0.3", Iöt, gerade						
0	XIC 3	53.03.0167	14p		DIL 0.3", Iöt, gerade						
0	XIC 4	53.03.0167	14p		DIL 0.3", Iöt, gerade						
0	XIC 5	53.03.0167	14p		DIL 0.3", Iöt, gerade						
0	XIC 6	53.03.0167	14p		DIL 0.3", Iöt, gerade						
0	XIC 7	53.03.0167	14p		DIL 0.3", Iöt, gerade						
0	XIC 8	53.03.0167	14p		DIL 0.3", Iöt, gerade						
0	XIC 9	53.03.0167	14p		DIL 0.3", Iöt, gerade						
0	XIC 10	53.03.0167	14p		DIL 0.3", Iöt, gerade						
0	XIC 11	53.03.0167	14p		DIL 0.3", Iöt, gerade						
0	XIC 12	53.03.0167	14p		DIL 0.3", Iöt, gerade						
0	XIC 13	53.03.0167	14p		DIL 0.3", Iöt, gerade						
0	XIC 14	53.03.0167	14p		DIL 0.3", Iöt, gerade						
0	XIC 15	53.03.0167	14p		DIL 0.3", Iöt, gerade						

STUDER
REGENSDORF

Frontboard ASS

1.950.856.00

Art. Nr.	27.11.97	LC					
Erstellt							
Geprüft							
Freigegeben							
Index							

MP1

MP2

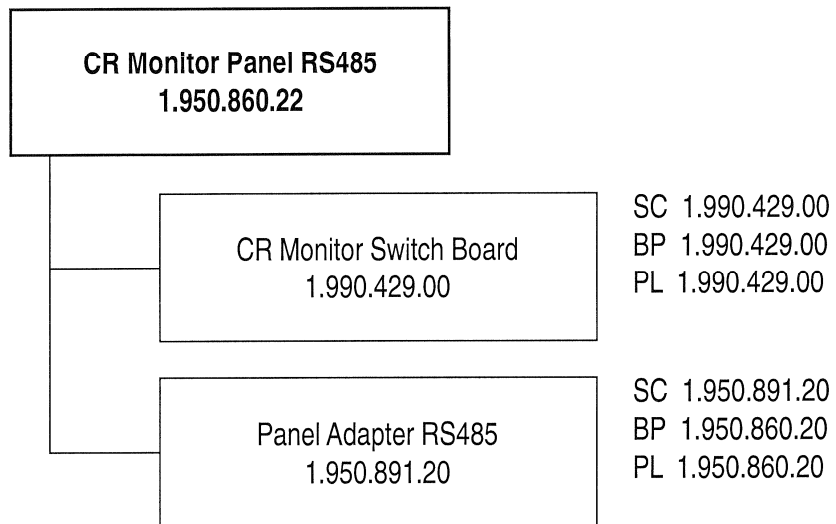
MP3

MP4

MP5

CR Monitor Panel RS485

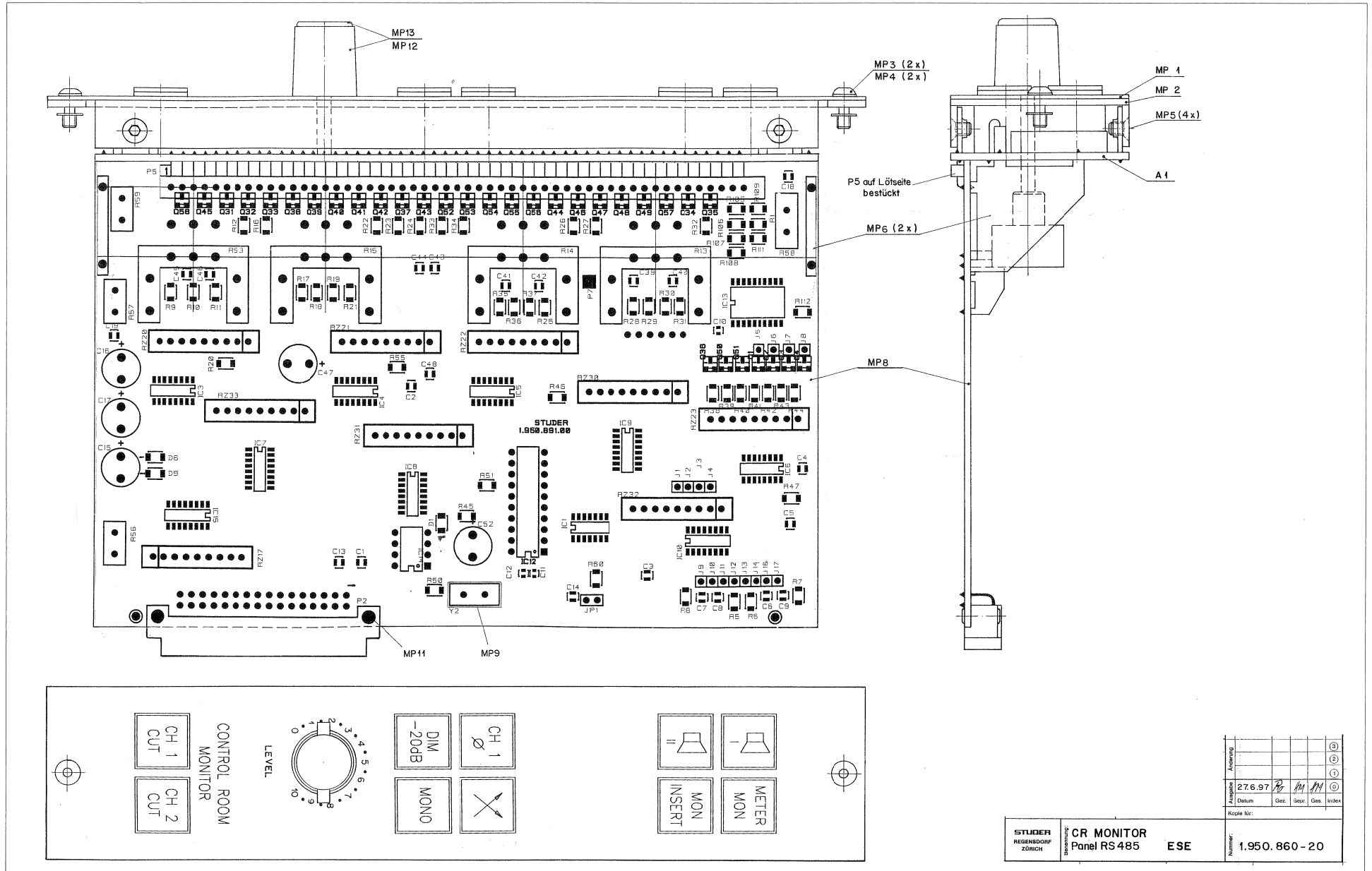
I.950.860.22



SC: Schema Circuit Diagram
BP: Bestückungsplan PCB Layout
PL: Positionsliste Positional List



CR Monitor Panel RS 485 1.950.860.20



Arbeitsnr.									
27.6.97									
Datum	Gez.	Gepr.	Gest.	Index					

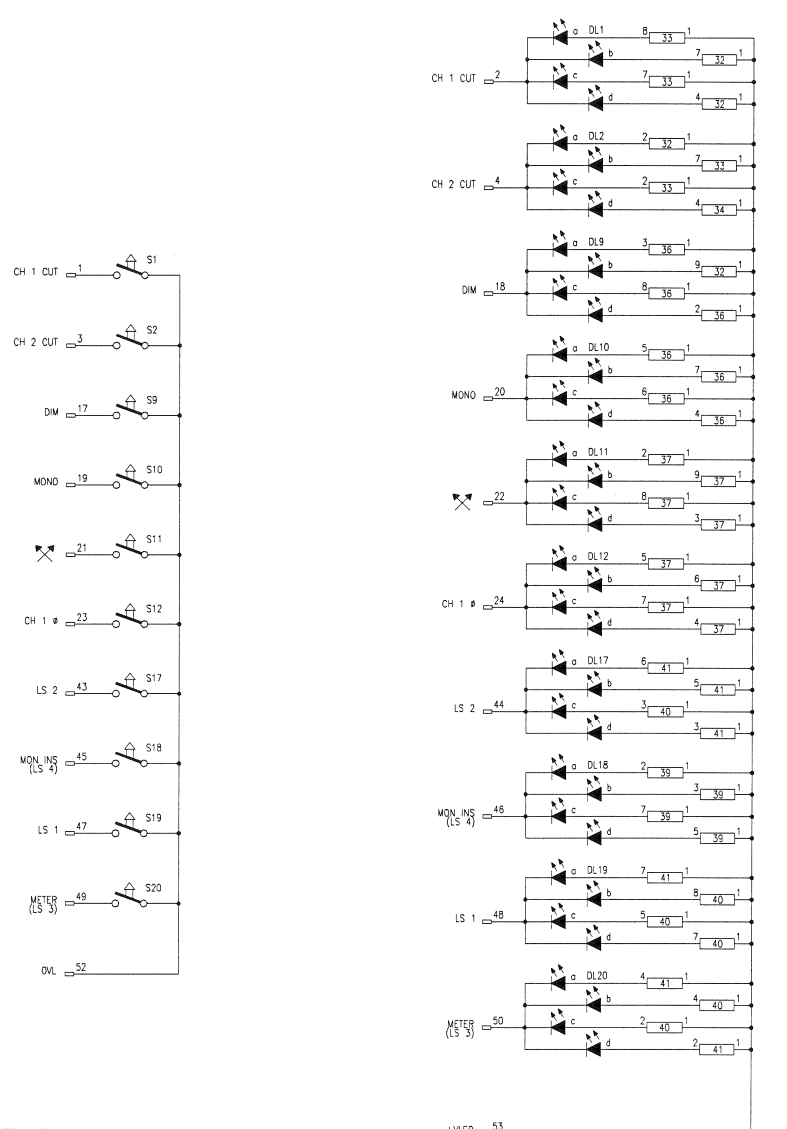
STUDER REGENSDORF ZÜRICH	CR MONITOR Panel RS 485	ESE	1.950.860-20
--------------------------------	----------------------------	-----	--------------



CR Monitor Panel RS 485 1.950.860.22

Idx. Pos.	Part No.	Qty.	Type/Val.	Description	Idx. Pos.	Part No.	Qty.	Type/Val.	Description	Idx. Pos.	Part No.	Qty.	Type/Val.	Description
0 A 1	1.990.429.00	1	pcse	CR MONITOR SWITCHBOARD	0 Q 47	50.60.0001		BC847B	Q BC 847 B, SOT 23	0 XIC 12	53.03.0165	20p		DIL 0.3", Ikl, gerade
0 C 1	59.60.3337	100n		CER 50V, 10%, X7R, 0905	0 Q 48	50.60.0001		BC847B	Q BC 847 B, SOT 23	0 XIC 14	53.03.0165	pcse	5p	DIL 0.3", Ikl, gerade
0 C 2	59.60.3337	100n		CER 50V, 10%, X7R, 0905	0 Q 49	50.60.0001		BC847B	Q BC 847 B, SOT 23	0 Y 2	89.01.1016	22.1184MHz	22.118 400 MHz, HC 49/U	
0 C 3	59.60.3337	100n		CER 50V, 10%, X7R, 0905	0 Q 50	50.60.0001		BC847B	Q BC 847 B, SOT 23	End of List				
0 C 4	59.60.3337	100n		CER 50V, 10%, X7R, 0905	0 Q 51	50.60.0001		BC847B	Q BC 847 B, SOT 23	Comments:				
0 C 5	59.60.3337	100n		CER 50V, 10%, X7R, 0905	0 Q 52	50.60.0001		BC847B	Q BC 847 B, SOT 23					
0 C 6	59.60.3317	2n2		CER 50V, 10%, X7R, 0905	0 Q 53	50.60.0001		BC847B	Q BC 847 B, SOT 23					
0 C 7	59.60.3317	2n2		CER 50V, 10%, X7R, 0905	0 Q 54	50.60.0001		BC847B	Q BC 847 B, SOT 23					
0 C 8	59.60.3317	2n2		CER 50V, 10%, X7R, 0905	0 Q 55	50.60.0001		BC847B	Q BC 847 B, SOT 23					
0 C 9	59.60.3317	2n2		CER 50V, 10%, X7R, 0905	0 Q 56	50.60.0001		BC847B	Q BC 847 B, SOT 23					
0 C 10	59.60.2231	18p		CER 50V, 5%, COG, 0903	0 Q 57	50.60.0001		BC847B	Q BC 847 B, SOT 23					
0 C 11	59.60.2237	33p		CER 50V, 5%, COG, 0903	0 Q 58	50.60.0001		BC847B	Q BC 847 B, SOT 23					
0 C 12	59.60.2237	33p		CER 50V, 5%, COG, 0903	0 R 1		not used	0R0	MF, 0204					
0 C 13	59.60.3337	100n		CER 50V, 10%, X7R, 0905	0 R 5	57.60.1101		100R	MF, 1%, 0204, E24					
0 C 14	59.60.3337	100n		CER 50V, 10%, X7R, 0905	0 R 6	57.60.1101		100R	MF, 1%, 0204, E24					
0 C 15	59.22.4002	100uF		EL 16V, 20%, RMS	0 R 7	57.60.1101		100R	MF, 1%, 0204, E24					
0 C 16	59.22.4002	100uF		EL 16V, 20%, RMS	0 R 8	57.60.1101		100R	MF, 1%, 0204, E24					
0 C 17	59.22.4002	100uF		EL 16V, 20%, RMS	0 R 9	57.60.1692		6K8	MF, 1%, 0204, E24					
0 C 18	59.60.3337	100n		CER 50V, 10%, X7R, 0905	0 R 10	57.60.1692		6K8	MF, 1%, 0204, E24					
0 C 19	59.60.3337	100n		CER 50V, 10%, X7R, 0905	0 R 11	57.60.1692		6K8	MF, 1%, 0204, E24					
0 C 39	59.60.3336	10n		CER 50V, 10%, X7R, 0905	0 R 12	57.60.1692		6K8	MF, 1%, 0204, E24					
0 C 40	59.60.3325	10n		CER 50V, 10%, X7R, 0905	0 R 13		not used	100K	POT 2 *100 K LIN					
0 C 41	59.60.3325	10n		CER 50V, 10%, X7R, 0905	0 R 14		not used	100K	POT 2 *100 K LIN					
0 C 42	59.60.3325	10n		CER 50V, 10%, X7R, 0905	0 R 15	1.010.039.58			POT 100K LIN 21 RASTSTELLUNGEN					
0 C 43	59.60.3325	10n		CER 50V, 10%, X7R, 0905	0 R 16	57.60.1692		6K3	MF, 1%, 0204, E24					
0 C 44	59.60.3325	10n		CER 50V, 10%, X7R, 0905	0 R 17	57.60.1692		6K3	MF, 1%, 0204, E24					
0 C 45	59.60.3325	10n		CER 50V, 10%, X7R, 0905	0 R 18	57.60.1692		6K3	MF, 1%, 0204, E24					
0 C 46	59.60.3325	10n		CER 50V, 10%, X7R, 0905	0 R 19	57.60.1692		6K3	MF, 1%, 0204, E24					
0 C 47	59.22.6100	10u		EL 35V, 20%, RMS	0 R 20	57.60.1103		10K	MF, 1%, 0204, E24					
0 C 48	59.60.3337	100n		CER 50V, 10%, X7R, 0905	0 R 21	57.60.1692		6K3	MF, 1%, 0204, E24					
0 C 52	59.22.6100	10u		EL 35V, 20%, RMS	0 R 22	57.60.1692		6K3	MF, 1%, 0204, E24					
0 D 1	50.60.8021	4448		D LL 4448 SOD80	0 R 23	57.60.1692		6K3	MF, 1%, 0204, E24					
0 D 5	50.60.8021	4448		D LL 4448 SOD80	0 R 24	57.60.1692		6K3	MF, 1%, 0204, E24					
0 D 6	50.60.8021	4448		D LL 4448 SOD80	0 R 25	57.60.1692		6K3	MF, 1%, 0204, E24					
0 IC 1	50.62.1004	74HC 04		74 HC 04	0 R 26	57.60.1692		6K3	MF, 1%, 0204, E24					
0 IC 3	50.62.1995	74HC595		74 HC 595	0 R 27	57.60.1692		6K3	MF, 1%, 0204, E24					
0 IC 4	50.62.1995	74HC595		74 HC 595	0 R 28	57.60.1692		6K3	MF, 1%, 0204, E24					
0 IC 5	50.62.1995	74HC595		74 HC 595	0 R 29	57.60.1692		6K3	MF, 1%, 0204, E24					
0 IC 6	50.62.1995	74HC595		74 HC 595	0 R 30	57.60.1692		6K3	MF, 1%, 0204, E24					
0 IC 7	50.62.1995	74HC165		74 HC 165	0 R 31	57.60.1692		6K3	MF, 1%, 0204, E24					
0 IC 8	50.62.1995	74HC165		74 HC 165	0 R 32	57.60.1692		6K3	MF, 1%, 0204, E24					
0 IC 9	50.62.1995	74HC165		74 HC 165	0 R 33	57.60.1692		6K3	MF, 1%, 0204, E24					
0 IC 10	50.62.1995	74HC165		74 HC 165	0 R 34	57.60.1692		6K3	MF, 1%, 0204, E24					
0 IC 12	1.950.900.22	SW 860 MONITOR (60.16.0313)		SW 860 MONITOR (60.16.0313)	0 R 35	57.60.1692		6K3	MF, 1%, 0204, E24					
0 IC 13	50.61.8101	68HC68		A/D Converter 10bit 8Ch SO 20	0 R 36	57.60.1692		6K8	MF, 1%, 0204, E24					
0 IC 14	50.15.0115	75176		IC SN 75176 BP, DS 3955 N	0 R 37	57.60.1692		6K8	MF, 1%, 0204, E24					
0 IC 15	50.62.1995	74HC165		74 HC 165	0 R 38	57.60.1692		6K8	MF, 1%, 0204, E24					
0 MP 1	1.990.429.01	1	pcse	FRONTSCHILD CR MONITOR	0 R 39	57.60.1692		6K8	MF, 1%, 0204, E24					
0 MP 2	1.990.490.02	1	pcse	TRAEGER SOURCE SELECTOR 20PB	0 R 40	57.60.1692		6K8	MF, 1%, 0204, E24					
0 MP 3	1.010.022.21	2	pcse	L-Schraube IS sw spezial	0 R 41	57.60.1692		6K8	MF, 1%, 0204, E24					
0 MP 4	24.16.3C23	2	pcse	WELLENSICHERUNG 2.3	0 R 42	57.60.1692		6K8	MF, 1%, 0204, E24					
0 MP 5	21.01.2352	4	pcse	S - Schraube Zn gb chr	0 R 43	57.60.1103		10K	MF, 1%, 0204, E24					
0 MP 6	1.990.100.01	2	pcse	QUERPRINTSTUETZE	0 R 44	57.60.1103		10K	MF, 1%, 0204, E24					
0 MP 7	1.950.900.04	1	pcse	STUDER NR. ETIKETTE 10x20	0 R 45	57.60.1103		10K	MF, 1%, 0204, E24					
0 MP 8	1.950.891.11	1	pcse	PANEL ADAPTER RS-485 PCB	0 R 46	57.60.1101		100R	MF, 1%, 0204, E24					
0 MP 9	89.01.1499	1	pcse	QUARZ - ISOLIERPLATTE	0 R 47		not used	100K	POT 2 *100 K LIN					
0 MP 10	43.01.0108	1	pcse	ESE-WARNSCHILD	0 R 48	57.60.1150		15R	MF, 1%, 0204, E24					
0 MP 11	28.99.0119	2	pcse	ROHRNIEITE D 2.5*0.15" 0	0 R 49	57.60.1692		94nA	PTC, 80V, 80 Ohm					
0 MP 12	42.01.0233	1	pcse	KNEBELKNOPF GR D 15/ 4	0 R 50	57.60.1692		94nA	PTC, 80V, 80 Ohm					
0 MP 13	42.01.0257	1	pcse	DECKEL HIGR ZU KNOPF-D 15	0 R 51	57.60.1692		1.6A	POLY- PTC 50V					
0 MP 14	1.191.001.20	1	pcse	TEXT-ETIK. 6*20 HARDWARE -20	0 R 52	57.60.1692		1.6A	POLY- PTC 50V					
0 P 2	54.11.2013	32p		EU-BK 2*18p	0 R 53	57.60.1103		10K	MF, 1%, 0204, E24					
0 P 5	54.11.0'25	53	pcse	P STIFT,WINKEL 1 PIN=1 STK.	0 R 54	57.60.1000		0R0	MF, 0204					
0 Q 1	50.60.0001		BC847B	Q BC 847 B, SOT 23	0 R 55	57.60.1000		0R0	MF, 0204					
0 Q 2	50.60.0001		BC847B	Q BC 847 B, SOT 23	0 R 56	57.60.1000		0R0	MF, 0204					
0 Q 3	50.60.0001		BC847B	Q BC 847 B, SOT 23	0 R 57	57.60.1000		0R0	MF, 0204					
0 Q 4	50.60.0001		BC847B	Q BC 847 B, SOT 23	0 R 58	57.60.1000		0R0	MF, 0204					
0 Q 31	50.60.0001		BC847B	Q BC 847 B, SOT 23	0 R 59	57.60.1000		0R0	MF, 0204					
0 Q 32	50.60.0001		BC847B	Q BC 847 B, SOT 23	0 R 60	57.60.1000		0R0	MF, 0204					
0 Q 33	50.60.0001		BC847B	Q BC 847 B, SOT 23	0 R 61	57.60.1000		0R0	MF, 0204					
0 Q 34	50.60.0001		BC847B	Q BC 847 B, SOT 23	0 R 62	57.60.1000		0R0	MF, 0204					
0 Q 35	50.60.0001		BC847B	Q BC 847 B, SOT 23	0 R 63	57.60.1000		0R0	MF, 0204					
0 Q 36	50.60.0001		BC847B	Q BC 847 B, SOT 23	0 R 64	57.60.1000		0R0	MF, 0204					
0 Q 37	50.60.0001		BC847B	Q BC 847 B, SOT 23	0 R 65	57.60.1000		0R0	MF, 0204					
0 Q 38	50.60.0001		BC847B	Q BC 847 B, SOT 23	0 R 66	57.60.1000		0R0	MF, 0204					
0 Q 39	50.60.0001		BC847B	Q BC 847 B, SOT 23	0 R 67	57.60.1000		0R0	MF, 0204					
0 Q 40	50.60.0001		BC847B	Q BC 847 B, SOT 23	0 R 68	57.60.1000		0R0	MF, 0204					
0 Q 41	50.60.0001		BC847B	Q BC 847 B, SOT 23	0 R 69	57.60.1000		0R0	MF, 0204					
0 Q 42	50.60.0001		BC847B	Q BC 847 B, SOT 23	0 R 70	57.60.1000		0R0	MF, 0204					
0 Q 43	50.60.0001		BC847B	Q BC 847 B, SOT 23	0 R 71	57.60.1000		0R0	MF, 0204					
0 Q 44	50.60.0001		BC847B	Q BC 847 B, SOT 23	0 R 72	57.60.1000		0R0	MF, 0204					
0 Q 45	50.60.0001		BC847B	Q BC 847 B, SOT 23	0 R 73	57.60.1000		0R0	MF, 0204					
0 Q 46	50.60.0001		BC847B	Q BC 847 B, SOT 23	0 RZ 17	57.88.4104		8*00K	2%, SIP 9					
					0 RZ 20	57.88.4104		8*00K	2%, SIP 9					
					0 RZ 21	57.88.4104		8*00K	2%, SIP 9					
					0 RZ 22	57.88.4104		8*00K	2%, SIP 9					
					0 RZ 23	57.88.4104		8*00K	2%, SIP 9					
					0 RZ 30	57.88.4104		8*00K	2%, SIP 9					
					0 RZ 31	57.88.4104		8*00K	2%, SIP 9					
					0 RZ 32	57.								

CR Monitor Switch Board 1.990.429.00

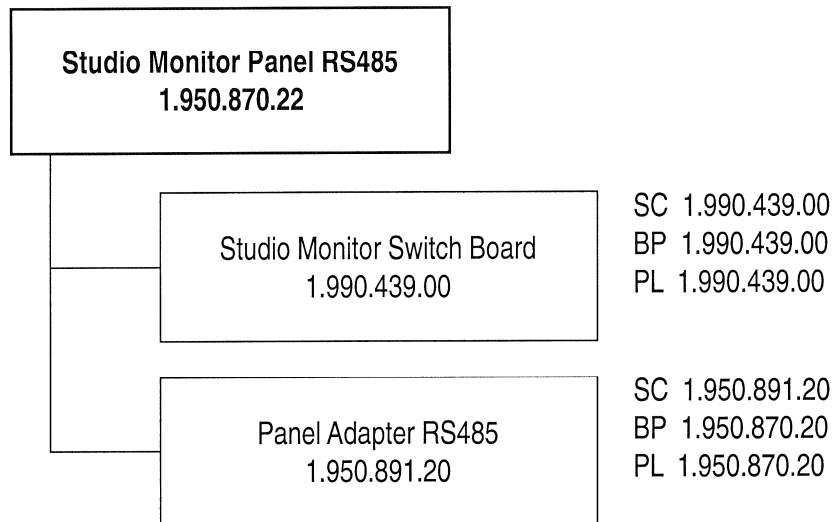


① 3.4.98			
990429-S			PAGE 1 OF 1
 RIGENSDORF SWITZERLAND	CR Monitor Switchboard		1.990.429.00

R232 ... RZ41 8 x 1000

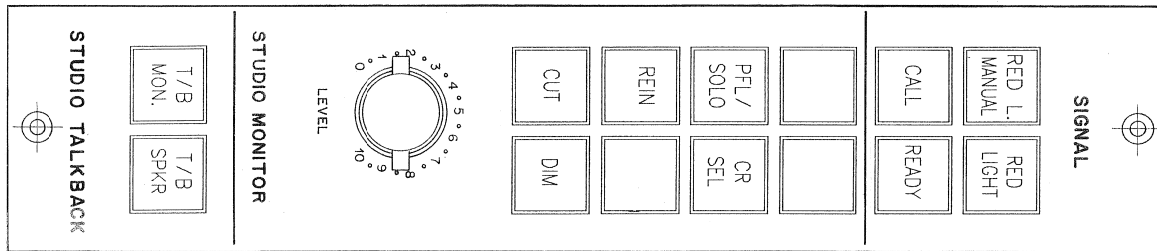
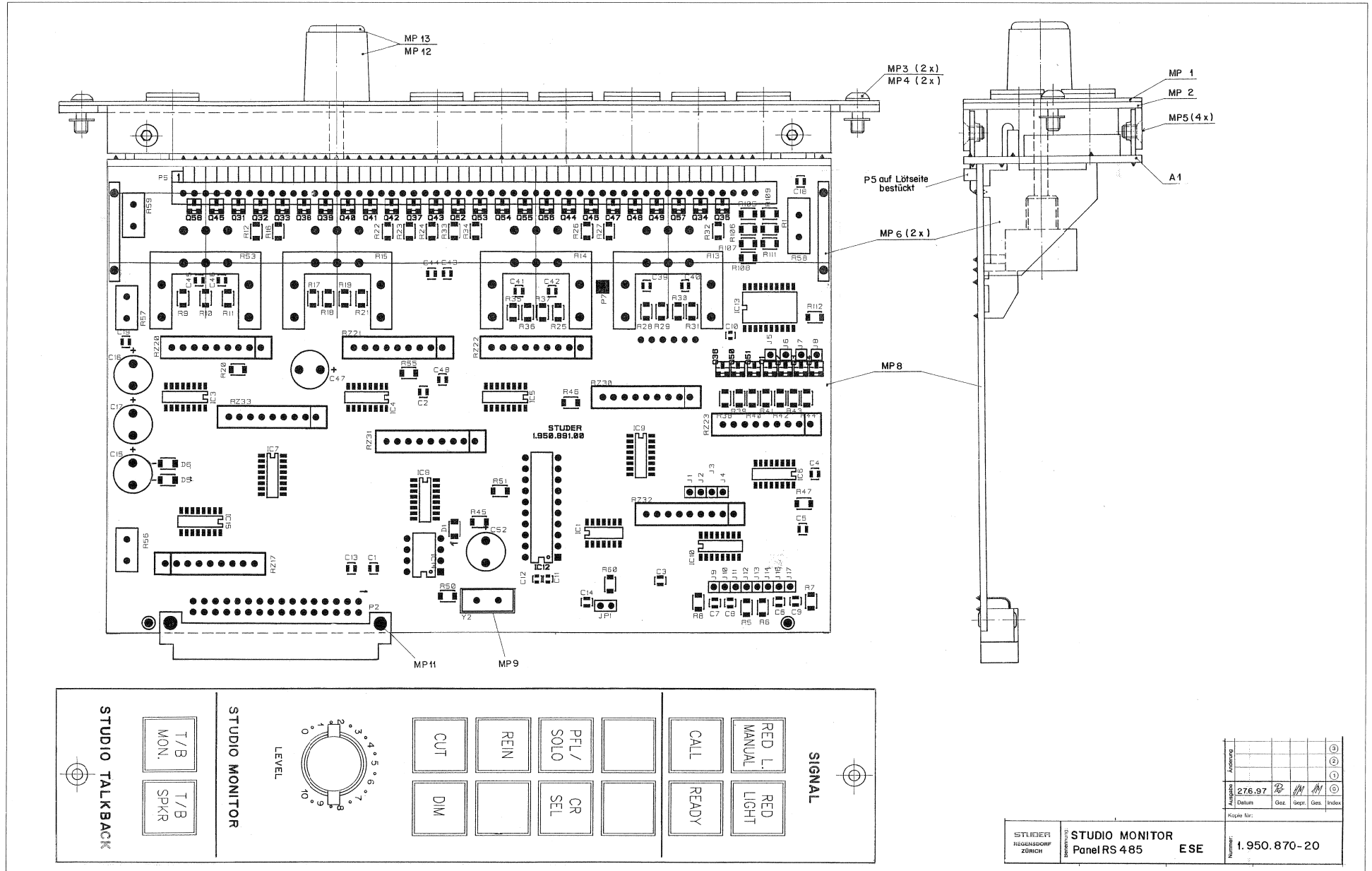
Studio Monitor Panel RS485

I.950.870.22



SC: Schema Circuit Diagram
BP: Bestückungsplan PCB Layout
PL: Positionsliste Positional List

Studio Monitor Panel RS 485 1.950.870.20



Gezeichnet									
Überprüft									
2	27.6.97	Re	M						
Datum	Gez.	Gep.	Ges.	Index					

Kopie für:
 Nummer: 1.950.870-20

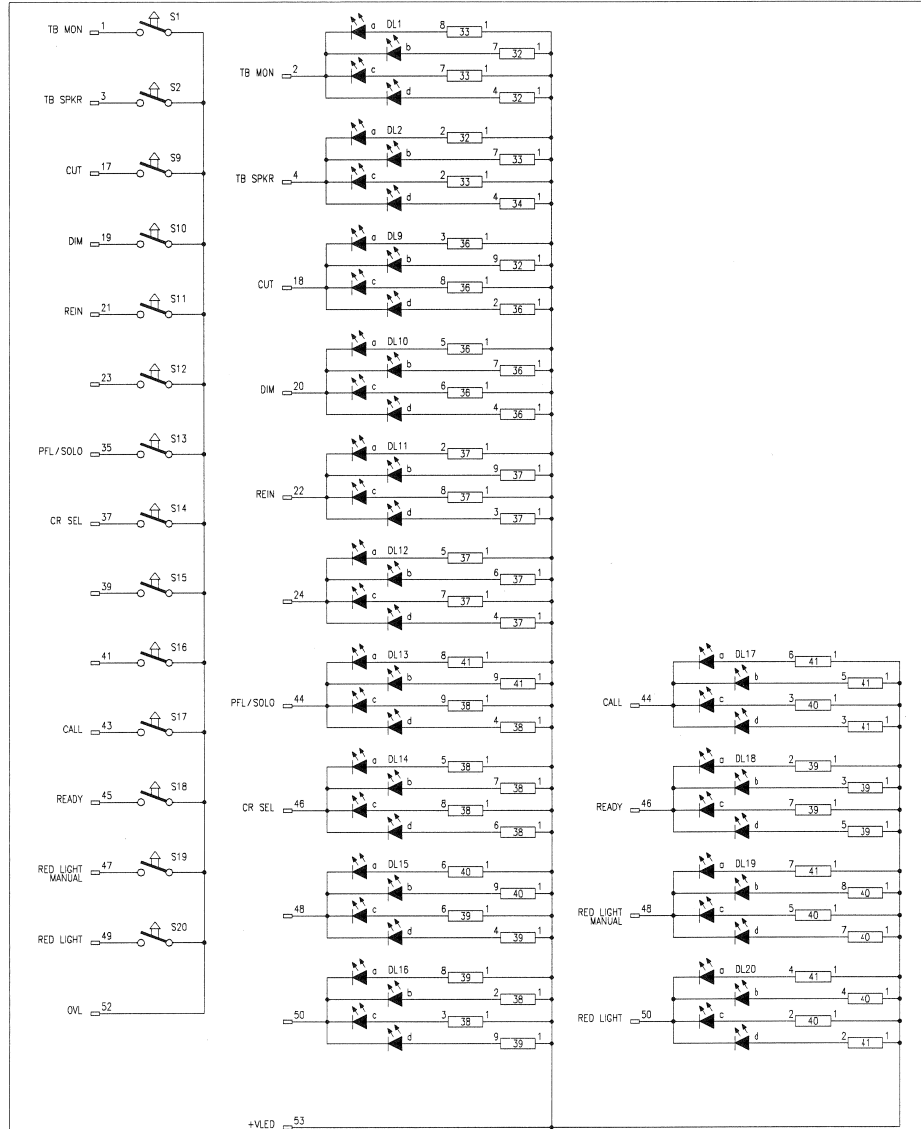
STUDER REGGENDORF ZÜRICH	STUDIO MONITOR Panel RS 485	ESE
--------------------------------	--------------------------------	-----



Studio Monitor Panel RS 485 1.950.870.22

Idx.	Pos.	Part No.	Qty.	Type/Val.	Description	Idx.	Pos.	Part No.	Qty.	Type/Val.	Description	Idx.	Pos.	Part No.	Qty.	Type/Val.	Description
0	A 1	1.990.439.00	1 pce		STUDIO MONITOR SWITCH BOARD	0	Q 46	50.60.0001		BC847B	Q BC 847 B, SOT 23	0	XIC 12	53.83.0165	20p		DIL 0.3", lot, gerade
0	C 1	59.60.3337	100n		CER 50V, 10%, X7R, 0805	0	Q 47	50.60.0001		BC847B	Q BC 847 B, SOT 23	0	XIC 14	53.83.0166	6p		DIL 0.3", lot, gerade
0	C 2	59.60.3337	100n		CER 50V, 10%, X7R, 0805	0	Q 48	50.60.0001		BC847B	Q BC 847 B, SOT 23	0	Y 2	89.01.1016	22.1184MHz		22.118 400 MHz, HC 48/U
0	C 3	59.60.3337	100n		CER 50V, 10%, X7R, 0805	0	Q 49	50.60.0001		BC847B	Q BC 847 B, SOT 23	End of List:					
0	C 4	59.60.3337	100n		CER 50V, 10%, X7R, 0805	0	Q 50	50.60.0001		BC847B	Q BC 847 B, SOT 23	Comments:					
0	C 5	59.60.3337	100n		CER 50V, 10%, X7R, 0805	0	Q 51	50.60.0001		BC847B	Q BC 847 B, SOT 23						
0	C 6	59.60.3315	2n2		CER 50V, 10%, X7R, 0805	0	Q 52	50.60.0001		BC847B	Q BC 847 B, SOT 23						
0	C 7	59.60.3317	2n2		CER 50V, 10%, X7R, 0805	0	Q 53	50.60.0001		BC847B	Q BC 847 B, SOT 23						
0	C 8	59.60.3317	2n2		CER 50V, 10%, X7R, 0805	0	Q 54	50.60.0001		BC847B	Q BC 847 B, SOT 23						
0	C 9	59.60.3317	2n2		CER 50V, 10%, X7R, 0805	0	Q 55	50.60.0001		BC847B	Q BC 847 B, SOT 23						
0	C 10	59.60.2237	18p		CER 50V, 5%, COG, 0603	0	Q 56	50.60.0001		BC847B	Q BC 847 B, SOT 23						
0	C 11	59.60.2237	33p		CER 50V, 5%, COG, 0603	0	Q 57	50.60.0001		BC847B	Q BC 847 B, SOT 23						
0	C 12	59.60.2237	33p		CER 50V, 5%, COG, 0603	0	Q 58	50.60.0001		BC847B	Q BC 847 B, SOT 23						
0	C 13	59.60.3337	100n		CER 50V, 10%, X7R, 0805	0	R 1	not used		0R0	MF, 02/4						
0	C 14	59.60.3337	100n		CER 50V, 10%, X7R, 0805	0	R 5	57.60.1101		100R	MF, 1%, 0204, E24						
0	C 15	59.22.4002	100uF		EL 16V, 20%, RM5	0	R 6	57.60.1101		100R	MF, 1%, 0204, E24						
0	C 16	59.22.4002	100uF		EL 16V, 20%, RM5	0	R 7	57.60.1101		100R	MF, 1%, 0204, E24						
0	C 17	59.22.4002	100uF		EL 16V, 20%, RM5	0	R 8	57.60.1101		100R	MF, 1%, 0204, E24						
0	C 18	59.60.3337	100n		CER 50V, 10%, X7R, 0805	0	R 9	57.60.1682		6K8	MF, 1%, 0204, E24						
0	C 19	59.60.3337	100n		CER 50V, 10%, X7R, 0805	0	R 10	57.60.1682		6K8	MF, 1%, 0204, E24						
0	C 39	59.60.3323	10n		CER 50V, 10%, X7R, 0805	0	R 11	57.60.1682		6K8	MF, 1%, 0204, E24						
0	C 40	59.60.3323	10n		CER 50V, 10%, X7R, 0805	0	R 12	57.60.1682		6K8	MF, 1%, 0204, E24						
0	C 41	59.60.3323	10n		CER 50V, 10%, X7R, 0805	0	R 13	not used		100k	POT 2 *100K LIN						
0	C 42	59.60.3323	10n		CER 50V, 10%, X7R, 0805	0	R 14	not used		100k	POT 2 *100K LIN						
0	C 43	59.60.3323	10n		CER 50V, 10%, X7R, 0805	0	R 15	1.010.020.59			POT 100K.LIN.21 RASTSTELLUNGEN						
0	C 44	59.60.3323	10n		CER 50V, 10%, X7R, 0805	0	R 16	57.60.1682		6K8	MF, 1%, 0204, E24						
0	C 45	59.60.3323	10n		CER 50V, 10%, X7R, 0805	0	R 17	57.60.1682		6K8	MF, 1%, 0204, E24						
0	C 46	59.60.3323	10n		CER 50V, 10%, X7R, 0805	0	R 18	57.60.1682		6K8	MF, 1%, 0204, E24						
0	C 47	59.22.6100	10u		EL 35V, 20%, RM5	0	R 19	57.60.1682		6K8	MF, 1%, 0204, E24						
0	C 48	59.60.3337	100n		CER 50V, 10%, X7R, 0805	0	R 20	57.60.1103		10K	MF, 1%, 0204, E24						
0	C 52	59.22.6100	10u		EL 35V, 20%, RM5	0	R 21	57.60.1682		6K8	MF, 1%, 0204, E24						
0	D 1	50.60.8001	4448		D LL 4448	0	R 22	57.60.1682		6K8	MF, 1%, 0204, E24						
0	D 5	50.60.8001	4448		D LL 4448	0	R 23	57.60.1682		6K8	MF, 1%, 0204, E24						
0	D 6	50.60.8001	4448		D LL 4448	0	R 24	57.60.1682		6K8	MF, 1%, 0204, E24						
0	IC 1	50.62.1004			74HC 04	0	R 25	57.60.1682		6K8	MF, 1%, 0204, E24						
0	IC 2	50.62.1596			74HC356	0	R 26	57.60.1682		6K8	MF, 1%, 0204, E24						
0	IC 4	50.62.1596			74HC595	0	R 27	57.60.1682		6K8	MF, 1%, 0204, E24						
0	IC 5	50.62.1596			74HC595	0	R 28	57.60.1682		6K8	MF, 1%, 0204, E24						
0	IC 6	50.62.1596			74HC595	0	R 29	57.60.1682		6K8	MF, 1%, 0204, E24						
0	IC 7	50.62.1165			74HC165	0	R 30	57.60.1682		6K8	MF, 1%, 0204, E24						
0	IC 8	50.62.1165			74HC165	0	R 31	57.60.1682		6K8	MF, 1%, 0204, E24						
0	IC 9	50.62.1165			74HC165	0	R 32	57.60.1682		6K8	MF, 1%, 0204, E24						
0	IC 10	50.62.1165			74HC165	0	R 33	57.60.1682		6K8	MF, 1%, 0204, E24						
0	IC 12	1.950.900.22			SW 860 MONITOR (50.16.0313)	0	R 34	57.60.1682		6K8	MF, 1%, 0204, E24						
0	IC 13	50.61.81C1			A/D Converter 10bit BCH SO 20	0	R 35	57.60.1682		6K8	MF, 1%, 0204, E24						
0	IC 14	50.15.0115			IC SN 75176 BP, DS 3695 N.	0	R 36	57.60.1682		6K8	MF, 1%, 0204, E24						
0	IC 15	50.62.1165			74HC165	0	R 37	57.60.1682		6K8	MF, 1%, 0204, E24						
0	MP 1	1.990.430.C1	1 pce		FRONTSCHILD STUDIO MONITOR	0	R 38	57.60.1682		6K8	MF, 1%, 0204, E24						
0	MP 2	1.990.480.C2	1 pce		TRAEGER SOURCE SELECTOR 20PB	0	R 39	57.60.1682		6K8	MF, 1%, 0204, E24						
0	MP 3	1.010.022.21	2 pcs	M3*8	L-Schraube IS sw spezial	0	R 40	57.60.1682		6K8	MF, 1%, 0204, E24						
0	MP 4	24.16.3023	2 pcs		WELLENSICHERUNG 2.3	0	R 41	57.60.1682		6K8	MF, 1%, 0204, E24						
0	MP 5	21.01.2362	4 pcs	M3*4	S - Schraube Zn gb chr	0	R 42	57.60.1103		10K	MF, 1%, 0204, E24						
0	MP 6	1.990.160.01	2 pcs		QUERPRINTSTUETZE	0	R 43	57.60.1103		10K	MF, 1%, 0204, E24						
0	MP 7	1.950.870.04	1 pce		STUDER NR. ETIKETTE 10x20	0	R 44	57.60.1103		10K	MF, 1%, 0204, E24						
0	MP 8	1.950.891.11	1 pce		PANEL ADAPTER RS 485 PCB	0	R 45	57.60.1103		10K	MF, 1%, 0204, E24						
0	MP 9	89.01.1499	1 pce		QUARZ - ISOLIERPLATTE	0	R 46	57.60.1101		100R	MF, 1%, 0204, E24						
0	MP 10	43.01.0108	1 pce	Label	ESE-WARNSCHILD	0	R 47	not used		100k	POT 2 *100 K LIN						
0	MP 11	28.99.01*9	2 pcs		ROHRNIETE D 2.5*0.15" 9	0	R 48	57.60.1150		16R	MF, 1%, 0204, E24						
0	MP 12	42.01.0233	1 pce		KNIEBELKNOPF GR D 15/4	0	R 49	57.92.1820		5mmA	PTC, 60V, 50 Ohm						
0	MP 13	42.01.0237	1 pce		BECKEL HGR. ZU KNOPF-D 15	0	R 50	57.92.1820		5mmA	PTC, 60V, 50 Ohm						
0	MP 14	1.101.001.20	1 pce	Label	TEXT-ETIK. 5*20 HARDWARE -20	0	R 51	57.92.7016		1.6A	POLY-PTC, 50V						
0	P 2	54.11.20*3	32p		EU-BK 2*16p	0	R 52	57.92.7016		1.6A	POLY-PTC, 50V						
0	P 5	54.11.0125	53 pcs	1p	P STIFT,WINKEL 1 PIN=1 STK.	0	R 53	57.60.1103		10K	MF, 1%, 0204, E24						
0	Q 1	50.60.0001			BC847B	0	R 105	57.60.1000		CR0	MF, 0204						
0	Q 2	50.60.0001			BC847B	0	R 106	57.60.1000		CR0	MF, 0204						
0	Q 3	50.60.0001			BC847B	0	R 107	57.60.1000		CR0	MF, 0204						
0	Q 4	50.60.0001			BC847B	0	R 108	57.60.1000		CR0	MF, 0204						
0	Q 31	50.60.0001			BC847B	0	R 109	57.60.1000		CR0	MF, 0204						
0	Q 32	50.60.0001			BC847B	0	R 110	57.60.1000		CR0	MF, 0204						
0	Q 33	50.60.0001			BC847B	0	R 111	57.60.1000		CR0	MF, 0204						
0	Q 34	50.60.0001			BC847B	0	R 112	57.60.1000		CR0	MF, 0204						
0	Q 35	50.60.0001			BC847B	0	RZ 17	57.88.4104		*100k	2%, SIP 9						
0	Q 36	50.60.0001			BC847B	0	RZ 20	57.88.4104		*100k	2%, SIP 9						
0	Q 37	50.60.0001			BC847B	0	RZ 21	57.88.4104		*100k	2%, SIP 9						
0	Q 38	50.60.0001			BC847B	0	RZ 22	57.88.4104		*100k	2%, SIP 9						
0	Q 39	50.60.0001			BC847B	0	RZ 23	57.88.4104		*100k	2%, SIP 9						
0	Q 40	50.60.0001			BC847B	0	RZ 30	57.88.4104		*100k	2%, SIP 9						
0	Q 41	50.60.0001			BC847B	0	RZ 31	57.88.4104		*100k	2%, SIP 9						
0	Q 42	50.60.0001			BC847B	0	RZ 32	57.88.4104		*100k	2%, SIP 9						
0	Q 43	50.60.0001			BC847B	0	RZ 33	57.88.4104		*100k	2%, SIP 9						
0	Q 44	50.60.0001			BC847B	0											
0	Q 45	50.60.0001			BC847B	0											

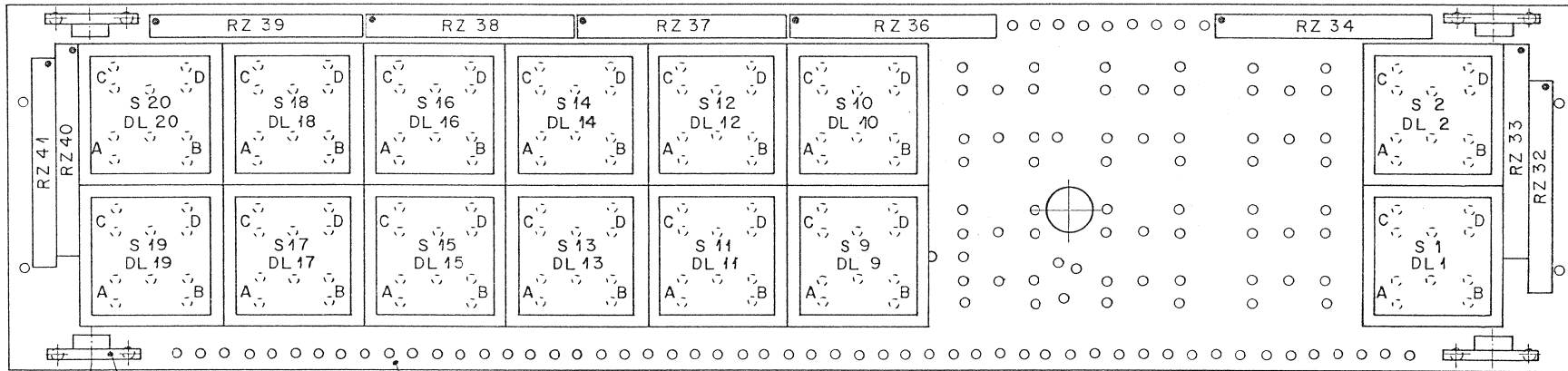
Studio Monitor Switch Board 1.990.439.00



3.4.88			
990439-5			PAGE 1 OF 1
STUDER	Studio Monitor Switchboard		1.990.439.00

RZ32 ... RZ41 8 x 1000

Studio Monitor Switch Board 1.990.439.00



MP1 (4x)

MP2

Ad . . . POS. . . REF.No. . . DESCRIPTION . . . MANUFACTURER

DL....1	. . . 0	not used	see S 01	
DL....2	. . . 0	not used	see S 02	
DL....9	. . . 0	not used	see S 09	
DL....10	. . . 0	not used	see S 10	
DL....11	. . . 0	not used	see S 11	
DL....12	. . . 0	not used	see S 12	
DL....13	. . . 0	not used	see S 13	
DL....14	. . . 0	not used	see S 14	
DL....15	. . . 0	not used	see S 15	
DL....16	. . . 0	not used	see S 16	
DL....17	. . . 0	not used	see S 17	
DL....18	. . . 0	not used	see S 18	
DL....19	. . . 0	not used	see S 19	
DL....20	. . . 0	not used	see S 20	
MP....1	1.990.100.05	4 pcs	Querprinthalter	
MP....2	1.990.429.11	1 pcs	CR MONITOR SWITCH PCB	
MP....3	1.990.439.04	1 pcs	Nr-Etikette 5*20	
S....1	55.15.0722		Taste 1*A,12mm RT/RT	T/B MON
S....2	55.15.0722		Taste 1*A,12mm RT/RT	T/B SPKR
S....9	55.15.0702		Taste 1*A,12mm RT/Trans	OUT
S....10	55.15.0705		Taste 1*A,12mm GR/Trans	REIN
S....11	55.15.0704		Taste 1*A,12mm GR/Trans	CR SELECT
S....12	55.15.0705		Taste 1*A,12mm GR/Trans	REMOTE LEVEL
S....13	55.15.0704		Taste 1*A,12mm GR/Trans	MIX A
S....14	55.15.0704		Taste 1*A,12mm GR/Trans	MIX B
S....15	55.15.0704		Taste 1*A,12mm GR/Trans	PFL/SOLO
S....16	55.15.0704		Taste 1*A,12mm GR/Trans	EXT.
S....17	55.15.0704		Taste 1*A,12mm GR/Trans	CALL
S....18	55.15.0705		Taste 1*A,12mm GR/Trans	READY
S....19	55.15.0702		Taste 1*A,12mm RT/Trans	ON AIR MANUAL
S....20	55.15.0722		Taste 1*A,12mm RT/RT	ON AIR
RZ...32	57.88.4101	100 Ohm	2x ,8"	
RZ...33	57.88.4101	100 Ohm	2x ,8"	
RZ...34	57.88.4101	100 Ohm	2x ,8"	
RZ...36	57.88.4101	100 Ohm	2x ,8"	
RZ...37	57.88.4101	100 Ohm	2x ,8"	
RZ...38	57.88.4101	100 Ohm	2x ,8"	
RZ...39	57.88.4101	100 Ohm	2x ,8"	
RZ...40	57.88.4101	100 Ohm	2x ,8"	
RZ...41	57.88.4101	100 Ohm	2x ,8"	

CER=Ceramic, PE=Polyester
MF=Metal Film, PMS=Coramet

MANUFACTURER: Ex=Exar, NEC=Nippon Electric Corp., Ph=Philips,
Sig=Signetics, St=Studer.

1.990.439.00 STUDIO MONITOR SWITCH BOARD SCAB9/070500

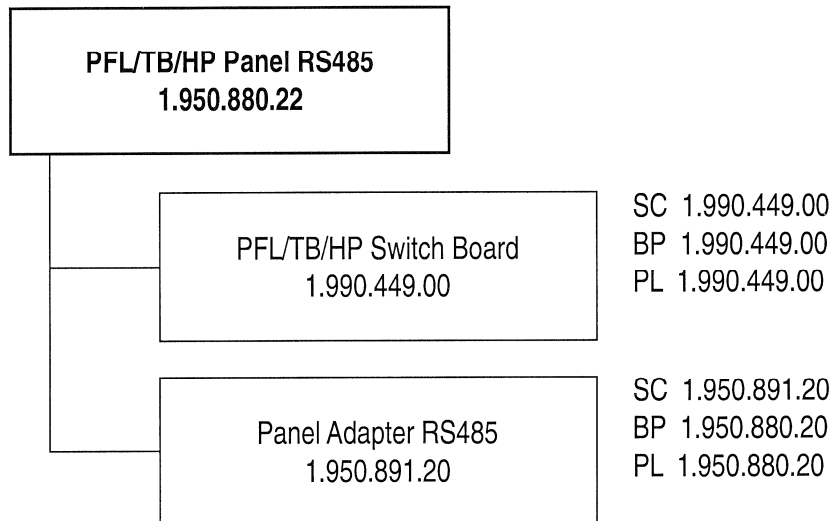
Abfertigung					③
					②
					①
Abgabedatum	6.3.90	AM	SA	PA	④
Datum		Gas	Gepr	Gas	Indrx

Kopie für:

STUDER REGENSDORF ZÜRICH	STUDIO MONITOR SWITCH BOARD	Nummer: 1.990.439-00
--------------------------------	--------------------------------	-------------------------

PFL/TB/HP Panel RS485

I.950.880.22



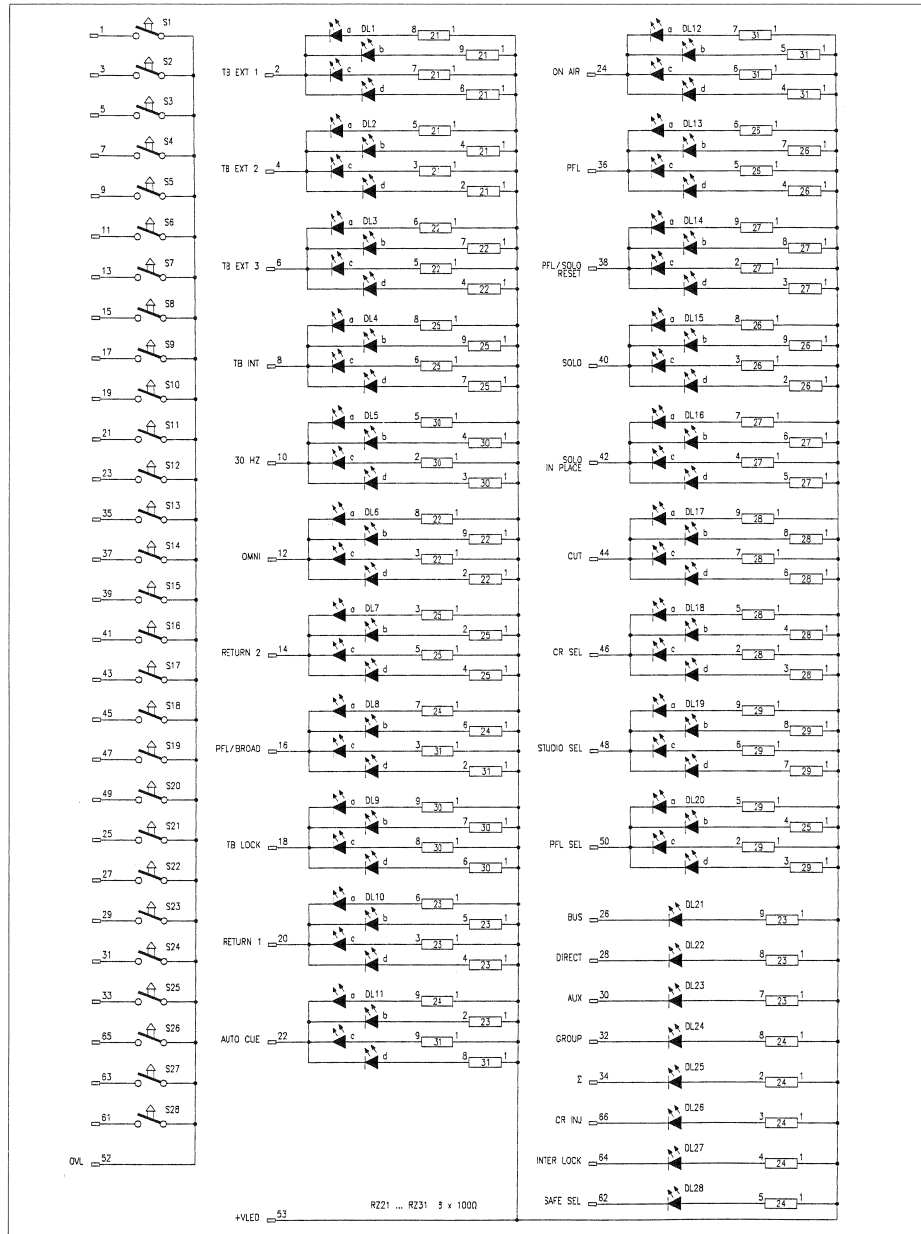
SC: Schema Circuit Diagram
BP: Bestückungsplan PCB Layout
PL: Positionsliste Positional List



PFL / TB / HP Panel RS 485 1.950.880.22

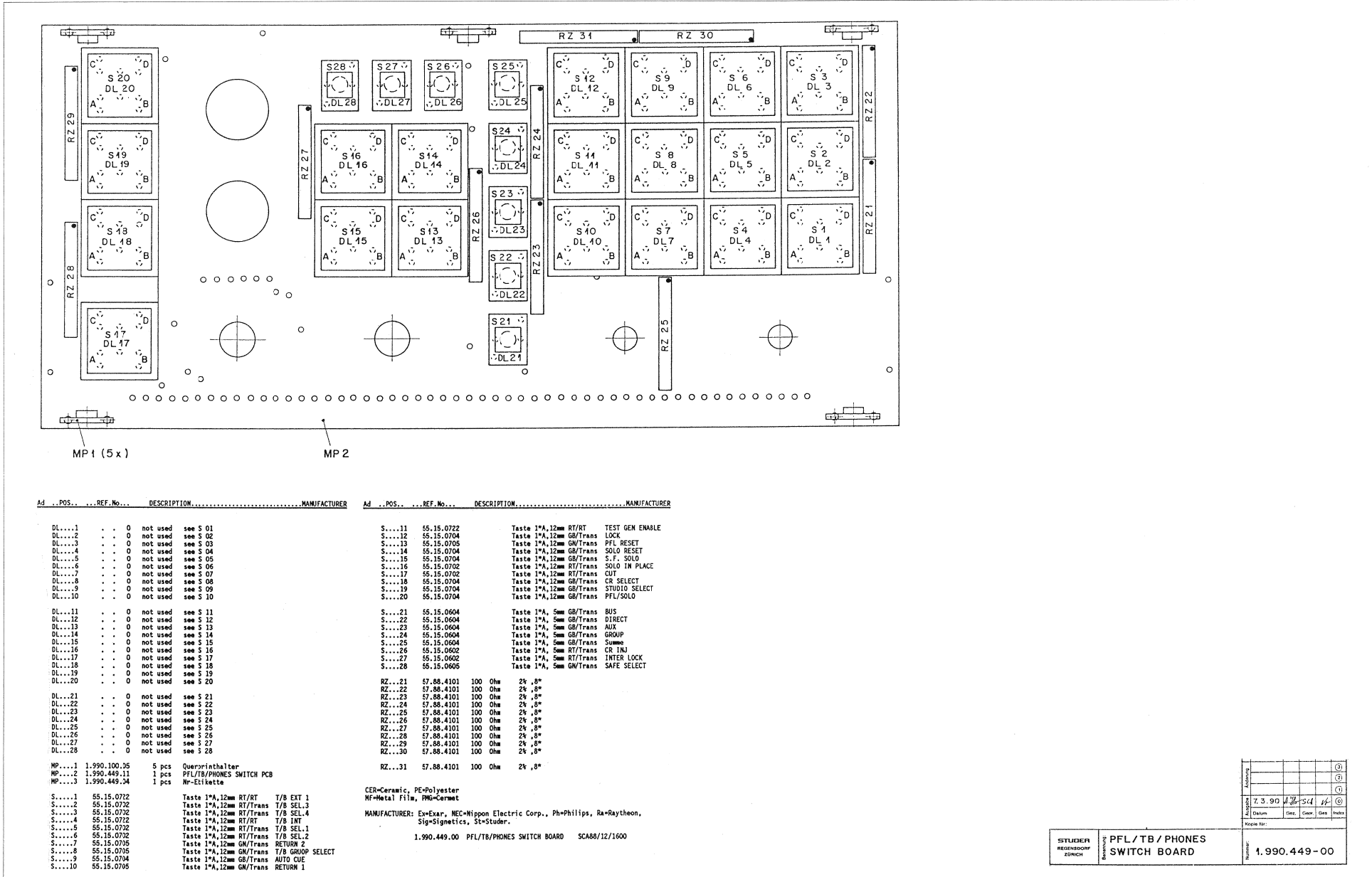
Idx. Pos.	Part No.	Qty.	Type/Val.	Description	Idx. Pos.	Part No.	Qty.	Type/Val.	Description	Idx. Pos.	Part No.	Qty.	Type/Val.	Description
0 A 1	1.990.449 0	1 pcs		PFL/TB/PHONES SWITCH BOARD	0 Q 35	50.60.0001		BC847B	Q BC 847 B, SOT 23	0 RZ 20	57.88.4104		8*100k	2%, SIP 9
0 C 1	59.60.3337	100n		CER 50V, 10%, X7R, 0805	0 Q 36	50.60.0001		BC847B	Q BC 847 B, SOT 23	0 RZ 21	57.88.4104		8*100k	2%, SIP 9
0 C 2	59.60.3337	100n		CER 50V, 10%, X7R, 0805	0 Q 37	50.60.0001		BC847B	Q BC 847 B, SOT 23	0 RZ 22	57.88.4104		8*100k	2%, SIP 9
0 C 3	59.60.3337	100n		CER 50V, 10%, X7R, 0805	0 Q 38	50.60.0001		BC847B	Q BC 847 B, SOT 23	0 RZ 23	57.88.4104		8*100k	2%, SIP 9
0 C 4	59.60.3337	100n		CER 50V, 10%, X7R, 0805	0 Q 39	50.60.0001		BC847B	Q BC 847 B, SOT 23	0 RZ 30	57.88.4104		8*100k	2%, SIP 9
0 C 5	59.60.3337	100n		CER 50V, 10%, X7R, 0805	0 Q 40	50.60.0001		BC847B	Q BC 847 B, SOT 23	0 RZ 31	57.88.4104		8*100k	2%, SIP 9
0 C 6	59.60.3317	2n2		CER 50V, 10%, X7R, 0805	0 Q 41	50.60.0001		BC847B	Q BC 847 B, SOT 23	0 RZ 32	57.88.4104		8*100k	2%, SIP 9
0 C 7	59.60.3317	2n2		CER 50V, 10%, X7R, 0805	0 Q 42	50.60.0001		BC847B	Q BC 847 B, SOT 23	0 RZ 33	57.88.4104		8*100k	2%, SIP 9
0 C 8	59.60.3317	2n2		CER 50V, 10%, X7R, 0805	0 Q 43	50.60.0001		BC847B	Q BC 847 B, SOT 23	0 W 1	64.03.0505 1	pcs		FLEX-STRIP, 8-POLL=63.5 MM
0 C 9	59.60.3317	2n2		CER 50V, 10%, X7R, 0805	0 Q 44	50.60.0001		BC847B	Q BC 847 B, SOT 23	0 W 2	1.013.210.64 2	pcs	str wire	LITZE SW,120MM, M.RASTKONTAKT
0 C 10	59.60.2231	18p		CER 50V, 5%, COG, 0603	0 Q 45	50.60.0001		BC847B	Q BC 847 B, SOT 23	0 W 3	1.013.216.64 3	pcs		LITZE BL,120MM, M.RASTKONTAKT
0 C 11	59.60.2237	33p		CER 50V, 5%, COG, 0603	0 Q 46	50.60.0001		BC847B	Q BC 847 B, SOT 23	0 W 4	1.013.219.64 3	pcs		LITZE WS,120MM, M.RASTKONTAKT
0 C 12	59.60.2237	33p		CER 50V, 5%, COG, 0603	0 Q 47	50.60.0001		BC847B	Q BC 847 B, SOT 23	0 XIC 12	53.03.0165		20p	DIL 0.3", lot, gerade
0 C 13	59.60.3337	100n		CER 50V, 10%, X7R, 0805	0 Q 48	50.60.0001		BC847B	Q BC 847 B, SOT 23	0 XIC 14	53.03.0166		5p	DIL 0.3", lot, gerade
0 C 14	59.60.3337	100n		CER 50V, 10%, X7R, 0805	0 Q 49	50.60.0001		BC847B	Q BC 847 B, SOT 23	0 Y 2	89.01.1016		22.118MHz	22.118 400 MHz, HC 49/U
0 C 15	59.22.40C2	100uF		EL 16V, 20%, RM5	0 Q 50	50.60.0001		BC847B	Q BC 847 B, SOT 23					
0 C 16	59.22.40C2	100uF		EL 16V, 20%, RM5	0 Q 51	50.60.0001		BC847B	Q BC 847 B, SOT 23					
0 C 17	59.22.40C2	100uF		EL 16V, 20%, RM5	0 Q 52	50.60.0001		BC847B	Q BC 847 B, SOT 23					
0 C 18	59.60.3337	100n		CER 50V, 10%, X7R, 0805	0 Q 53	50.60.0001		BC847B	Q BC 847 B, SOT 23					
0 C 19	59.60.3337	100n		CER 50V, 10%, X7R, 0805	0 Q 54	50.60.0001		BC847B	Q BC 847 B, SOT 23					
0 C 20	59.60.3325	10n		CER 50V, 10%, X7R, 0805	0 Q 55	50.60.0001		BC847B	Q BC 847 B, SOT 23					
0 C 40	59.60.3325	10n		CER 50V, 10%, X7R, 0805	0 Q 56	50.60.0001		BC847B	Q BC 847 B, SOT 23					
0 C 41	59.60.3325	10n		CER 50V, 10%, X7R, 0805	0 Q 57	50.60.0001		BC847B	Q BC 847 B, SOT 23					
0 C 42	59.60.3325	10n		CER 50V, 10%, X7R, 0805	0 Q 58	50.60.0001		BC847B	Q BC 847 B, SOT 23					
0 C 43	59.60.3325	10n		CER 50V, 10%, X7R, 0805	0 R 1		not used	0R0	MF, C204					
0 C 44	59.60.3325	10n		CER 50V, 10%, X7R, 0805	0 R 5	57.60.1101		*00R	MF, 1%, 0204, E24					
0 C 45	59.60.3325	10n		CER 50V, 10%, X7R, 0805	0 R 6	57.60.1101		*00R	MF, 1%, 0204, E24					
0 C 46	59.60.3325	10n		CER 50V, 10%, X7R, 0805	0 R 7	57.60.1101		*00R	MF, 1%, 0204, E24					
0 C 48	59.60.3325	10n		CER 50V, 10%, X7R, 0805	0 R 8	57.60.1101		*00R	MF, 1%, 0204, E24					
0 C 47	59.22.6100	10u		EL 35V, 20%, RM5	0 R 9	57.60.1682		6K8	MF, 1%, 0204, E24					
0 C 48	59.60.3337	100n		CER 50V, 10%, X7R, 0805	0 R 10	57.60.1682		6K8	MF, 1%, 0204, E24					
0 C 52	59.22.6100	10u		EL 35V, 20%, RM5	0 R 11	57.60.1682		6K8	MF, 1%, 0204, E24					
0 C 53	59.03.2104 2	pcs		MPETP, 10%, 250V	0 R 12	57.60.1682		6K8	MF, 1%, 0204, E24					
0 D 1	50.60.8001	4448		D LL 4448 SOD 80	0 R 13	1.010.027.58		*00K	POT 2 100K LIN					
0 D 5	50.60.8001	4448		D LL 4448 SOD 80	0 R 14	1.010.027.58			POT 100K LIN					
0 D 6	50.60.8001	4448		D LL 4448 SOD 80	0 R 15	1.010.027.58			POT 100K LIN					
0 IC 1	50.62.1004	74HC 04		74 HC 04	0 R 16	57.60.1682		6K8	MF, 1%, 0204, E24					
0 IC 3	50.62.1595	74HC595		74 HC 595	0 R 17	57.60.1682		6K8	MF, 1%, 0204, E24					
0 IC 4	50.62.1595	74HC595		74 HC 595	0 R 18	57.60.1682		6K8	MF, 1%, 0204, E24					
0 IC 5	50.62.1595	74HC595		74 HC 595	0 R 19	57.60.1682		6K8	MF, 1%, 0204, E24					
0 IC 6	50.62.1595	74HC595		74 HC 595	0 R 20	57.60.1103		*0K	MF, 1%, 0204, E24					
0 IC 7	50.62.1165	74HC165		74 HC 165	0 R 21	57.60.1682		6K8	MF, 1%, 0204, E24					
0 IC 8	50.62.1165	74HC165		74 HC 165	0 R 22	57.60.1682		6K8	MF, 1%, 0204, E24					
0 IC 9	50.62.1165	74HC165		74 HC 165	0 R 23	57.60.1682		6K8	MF, 1%, 0204, E24					
0 IC 10	50.62.1165	74HC165		74 HC 165	0 R 24	57.60.1682		6K8	MF, 1%, 0204, E24					
0 IC 12	1.950.900.22	4448		SW 860 MONITOR (50.16.0313)	0 R 25	57.60.1682		6K8	MF, 1%, 0204, E24					
0 IC 13	50.61.8161	68HC58		A/D Converter 10bit 8ch SO 20	0 R 26	57.60.1682		6K8	MF, 1%, 0204, E24					
0 IC 14	50.15.0115	75176		IC SN 75176 BP, DS 2865 N,	0 R 27	57.60.1682		6K8	MF, 1%, 0204, E24					
0 IC 15	50.62.1165	74HC165		74 HC 165	0 R 28	57.60.1682		6K8	MF, 1%, 0204, E24					
0 J 1	54.24.0103 2	pcs		J 3 PDL, KLINKE 6.3MM	0 R 29	57.60.1682		6K8	MF, 1%, 0204, E24					
0 MP 1	1.990.440.01 1	pcs		FRONTSCHEID PFL/TB/PHONES	0 R 30	57.60.1682		6K8	MF, 1%, 0204, E24					
0 MP 2	1.990.440.02 1	pcs		TRAEGER PFL/TB PHONES	0 R 31	57.60.1682		6K8	MF, 1%, 0204, E24					
0 MP 3	1.010.022.21 4	pcs	M3*8	L-Schraube IS sw spezial	0 R 32	57.60.1682		6K8	MF, 1%, 0204, E24					
0 MP 4	24.16.3023 4	pcs		WELLENSICHERUNG 2.3	0 R 33	57.60.1682		6K8	MF, 1%, 0204, E24					
0 MP 5	21.01.2352 6	pcs	M3*4	S - Schraube Zh gb ctr	0 R 34	57.60.1682		6K8	MF, 1%, 0204, E24					
0 MP 6	1.990.100.01 1	pcs		QUERPRINTSTUETZE	0 R 35	57.60.1682		6K8	MF, 1%, 0204, E24					
0 MP 7	1.950.880.04 1	pcs		STUDER NR. ETIKETTE 10x20	0 R 36	57.60.1682		6K8	MF, 1%, 0204, E24					
0 MP 8	1.950.891.11 1	pcs		PANEL ADAPTER RS 485 PCB	0 R 37	57.60.1682		6K8	MF, 1%, 0204, E24					
0 MP 9	89.01.1489 1	pcs		QUARZ - ISOLIERPLATTE	0 R 38	57.60.1682		6K8	MF, 1%, 0204, E24					
0 MP 10	43.01.0168 1	pcs	Label	ESE-WARNNSCHILD	0 R 39	57.60.1682		6K8	MF, 1%, 0204, E24					
0 MP 11	28.99.0119 2	pcs		ROHRNIETE D 2.5*0.15 9	0 R 40	57.60.1682		6K8	MF, 1%, 0204, E24					
0 MP 12	42.01.0228 3	pcs		KNEBELKNOPF GR D 10/ 4	0 R 41	57.60.1682		6K8	MF, 1%, 0204, E24					
0 MP 13	42.01.0203 1	pcs		DREHKNOPF GR, D 10/ 4	0 R 42	57.60.1682		6K8	MF, 1%, 0204, E24					
0 MP 14	1.912.000.03 1	pcs		DREHRING D 6.2 / 15	0 R 43	57.60.1682		6K8	MF, 1%, 0204, E24					
0 MP 15	42.01.0203 4	pcs		DECKEL (H)R. ZU KNOPF-D 19	0 R 44	57.60.1682		6K8	MF, 1%, 0204, E24					
0 MP 16	1.990.100.03 1	pcs		QUERPRINTSTUETZE RECHTS	0 R 45	57.60.1103		*0K	MF, 1%, 0204, E24					
0 MP 17	1.990.440.03 2	pcs		FUEHRUNGSBUCHSE FUER JACK	0 R 46	57.60.1103		*0K	MF, 1%, 0204, E24					
0 MP 18	21.51.8354 1	pcs	M3*6	Linsenkopf-Schr IS, NI	0 R 47	57.60.1101		*00R	MF, 1%, 0204, E24					
0 MP 19	24.16.2030 1	pcs		FAECHERSCHIEBE A D 3.2	0 R 53	1.010.027.58			POT 100 K LIN					
0 MP 20	28.28.1022 1	pcs	3.2	Loelose d3,2/5.5 * 10.5	0 R 55	57.60.1150		*SR	MF, 1%, 0204, E24					
0 MP 21	1.101.001.20 1	pcs	Label	TEXT-ETIK. 5*20 HARDWARE -20	0 R 56	57.92.1820		94mA	PTC, 50V, 50 Ohm					
0 P 2	54.11.2013	32p		EU-BK 2*16p	0 R 57	57.92.1820		94mA	PTC, 50V, 50 Ohm					
0 P 5	54.11.0125 53	pcs	1p	P STIFT,WINKEL 1 PIN=1 STK.	0 R 58	57.92.7016		*SA	POLY- PTC, 50V					
0 Q 1	50.60.0001		BC847B	Q BC 847 B, SCT 23	0 R 59	57.92.7016		*8A	POLY- PTC, 50V					
0 Q 2	50.60.0001		BC847B	Q BC 847 B, SCT 23	0 R 60	57.60.1103		*0K	MF, 1%, 0204, E24					

PFL / TB / Headphone Switch Board 1.990.449.00



① 3.4.98			
990449-S			PAGE 1 OF 1
 HÜFENSDORF SWITZERLAND		PFL/TB/HP Switchboard	1.990.449.00

PFL / TB / Headphone Switch Board 1.990.449.00



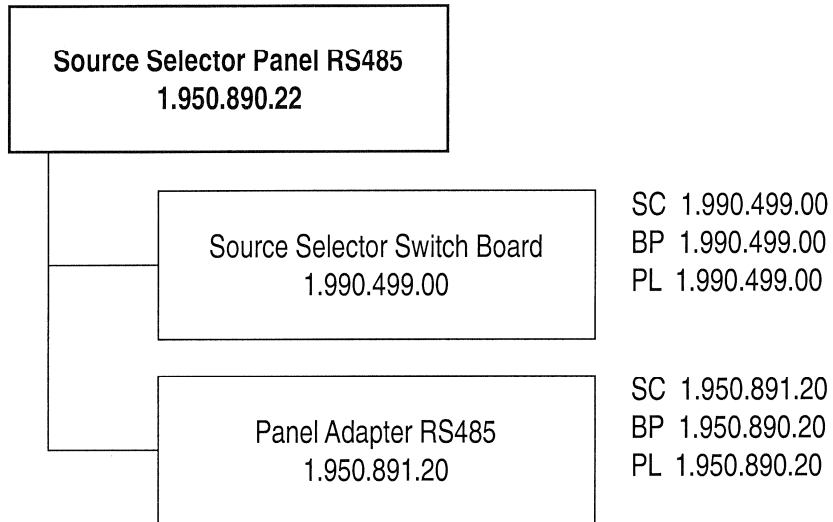
Ad	POS.	REF.No.	DESCRIPTION	MANUFACTURER	Ad	POS.	REF.No.	DESCRIPTION	MANUFACTURER
DL...	1	0	not used	see S 01	S....	11	55.15.0722	Taste 1*A, 12mm RT/RT	TEST GEN ENABLE
DL...	2	0	not used	see S 02	S....	12	55.15.0704	Taste 1*A, 12mm GB/Trans	LOCK
DL...	3	0	not used	see S 03	S....	13	55.15.0705	Taste 1*A, 12mm GM/Trans	PFL RESET
DL...	4	0	not used	see S 04	S....	14	55.15.0704	Taste 1*A, 12mm GB/Trans	SOLO RESET
DL...	5	0	not used	see S 05	S....	15	55.15.0704	Taste 1*A, 12mm GB/Trans	S.F. SOLO
DL...	6	0	not used	see S 06	S....	16	55.15.0702	Taste 1*A, 12mm RT/Trans	SOLO IN PLACE
DL...	7	0	not used	see S 07	S....	17	55.15.0702	Taste 1*A, 12mm RT/Trans	CUT
DL...	8	0	not used	see S 08	S....	18	55.15.0704	Taste 1*A, 12mm GB/Trans	CR SELECT
DL...	9	0	not used	see S 09	S....	19	55.15.0704	Taste 1*A, 12mm GB/Trans	STUDIO SELECT
DL...	10	0	not used	see S 10	S....	20	55.15.0704	Taste 1*A, 12mm GB/Trans	PFL/SOLO
DL...	11	0	not used	see S 11	S....	21	55.15.0604	Taste 1*A, 5mm GB/Trans	BUS
DL...	12	0	not used	see S 12	S....	22	55.15.0604	Taste 1*A, 5mm GB/Trans	DIRECT
DL...	13	0	not used	see S 13	S....	23	55.15.0604	Taste 1*A, 5mm GB/Trans	AUX
DL...	14	0	not used	see S 14	S....	24	55.15.0604	Taste 1*A, 5mm GB/Trans	GROUP
DL...	15	0	not used	see S 15	S....	25	55.15.0604	Taste 1*A, 5mm GB/Trans	Summe
DL...	16	0	not used	see S 16	S....	26	55.15.0602	Taste 1*A, 5mm RT/Trans	CR INJ
DL...	17	0	not used	see S 17	S....	27	55.15.0602	Taste 1*A, 5mm RT/Trans	INTER LOCK
DL...	18	0	not used	see S 18	S....	28	55.15.0605	Taste 1*A, 5mm GB/Trans	SAFE SELECT
DL...	19	0	not used	see S 19					
DL...	20	0	not used	see S 20	RZ...	21	57.88.4101	100 Ohm	2% 8°
DL...	21	0	not used	see S 21	RZ...	22	57.88.4101	100 Ohm	2% 8°
DL...	22	0	not used	see S 22	RZ...	23	57.88.4101	100 Ohm	2% 8°
DL...	23	0	not used	see S 23	RZ...	24	57.88.4101	100 Ohm	2% 8°
DL...	24	0	not used	see S 24	RZ...	25	57.88.4101	100 Ohm	2% 8°
DL...	25	0	not used	see S 25	RZ...	26	57.88.4101	100 Ohm	2% 8°
DL...	26	0	not used	see S 26	RZ...	27	57.88.4101	100 Ohm	2% 8°
DL...	27	0	not used	see S 27	RZ...	28	57.88.4101	100 Ohm	2% 8°
DL...	28	0	not used	see S 28	RZ...	29	57.88.4101	100 Ohm	2% 8°
DL...	29	0	not used	see S 29	RZ...	30	57.88.4101	100 Ohm	2% 8°
DL...	30	0	not used	see S 30	RZ...	31	57.88.4101	100 Ohm	2% 8°
MP...1	1.990.100.35	5 pcs	Querschnittler						
MP...2	1.990.449.11	1 pcs	PFL/TB/PHONES SWITCH PCB						
MP...3	1.990.449.34	1 pcs	Nr-Etikette						
S....1	55.15.0722		Taste 1*A, 12mm RT/RT	T/B EXT 1					
S....2	55.15.0722		Taste 1*A, 12mm RT/Trans	T/B SEL.3					
S....3	55.15.0722		Taste 1*A, 12mm RT/Trans	T/B SEL.4					
S....4	55.15.0722		Taste 1*A, 12mm RT/RT	T/B INT					
S....5	55.15.0722		Taste 1*A, 12mm RT/Trans	T/B SEL.1					
S....6	55.15.0722		Taste 1*A, 12mm RT/Trans	T/B SEL.2					
S....7	55.15.0705		Taste 1*A, 12mm GM/Trans	RETURN 2					
S....8	55.15.0705		Taste 1*A, 12mm GB/Trans	T/B GROUP SELECT					
S....9	55.15.0704		Taste 1*A, 12mm GB/Trans	AUTO CUE					
S....10	55.15.0705		Taste 1*A, 12mm GB/Trans	RETURN 1					
CER=Ceramic, PE=Polyester MF=Metal Film, PRC=Paracet					MANUFACTURER: Ex=Exar, NEC=Nippon Electric Corp., Ph=Philips, Ra=Raytheon, Sig=Signetics, St=Studer.				
1.990.449.00 PFL/TB/PHONES SWITCH BOARD SC488/12/1600									

7.3.90	7.3.90	7.3.90	7.3.90	7.3.90	7.3.90
7.3.90	7.3.90	7.3.90	7.3.90	7.3.90	7.3.90

STUDER	PFL / TB / PHONES
REGNERBOFF	SWITCH BOARD
ZENCK	
1.990.449-00	

Source Selector Panel RS485

I.950.890.22



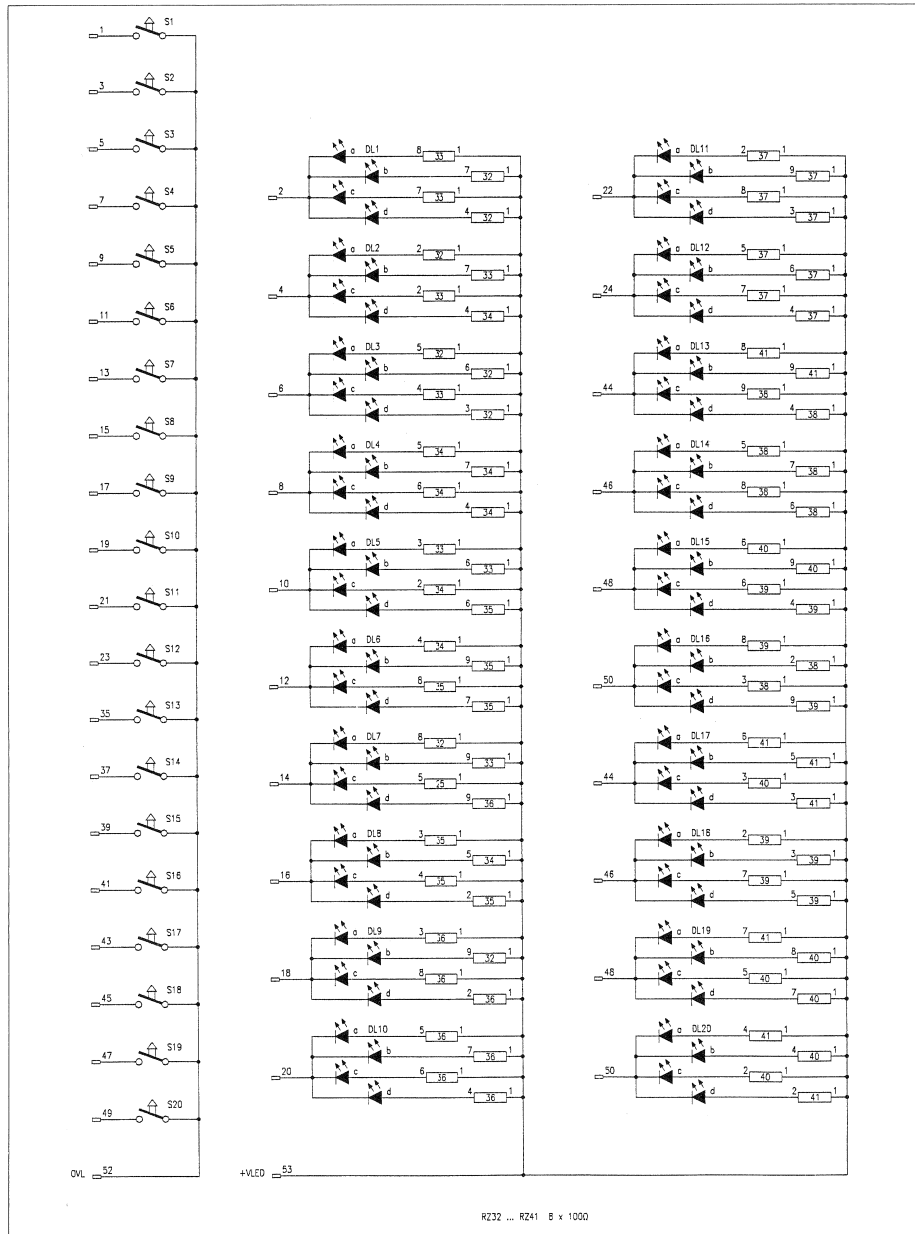
SC: Schema Circuit Diagram
BP: Bestückungsplan PCB Layout
PL: Positionsliste Positional List



Source Selector Panel RS 485 1.950.890.22

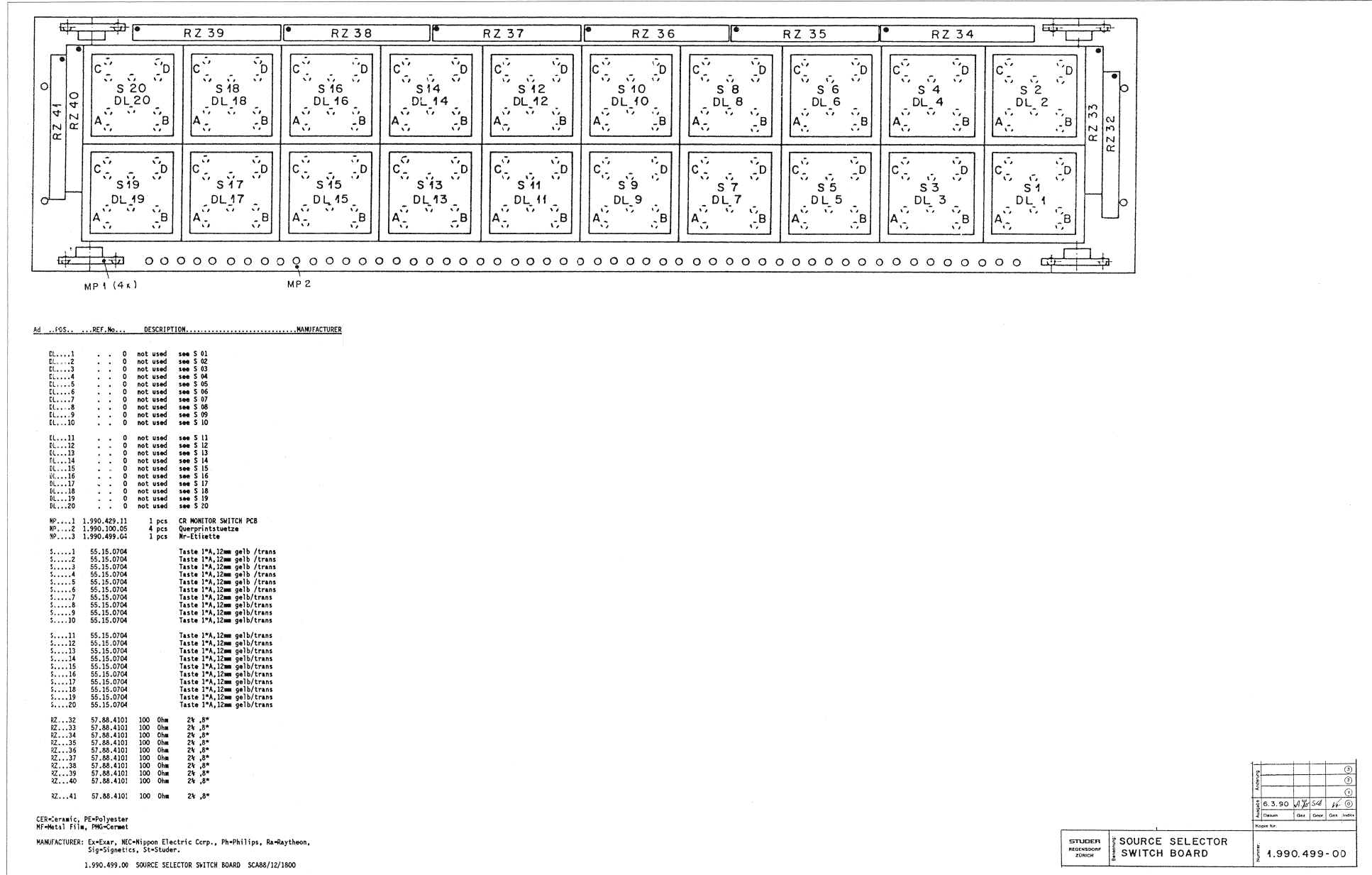
Idx.	Pos.	Part No.	Qty.	Type/Val.	Description	Idx.	Pos.	Part No.	Qty.	Type/Val.	Description	Idx.	Pos.	Part No.	Qty.	Type/Val.	Description
0	A 1	1.990.499.00	1	psc	SOURCE SELECTOR SWITCH BOARD	0	Q 48	50.60.0001		BC847B	Q BC 847 B, SOT 23	0	XIC 12	53.03.0165	20p		DIL 0.3", lot, gerade
0	C 1	59.60.3337	100n		CER 50V, 10%, X7R, 0805	0	Q 48	50.60.0001		BC847B	Q BC 847 B, SOT 23	0	XIC 14	53.03.0166	psc	8p	DIL 0.3", lot, gerade
0	C 2	59.60.3337	100n		CER 50V, 10%, X7R, 0805	0	Q 50	50.60.0001		BC847B	Q BC 847 B, SOT 23	0	Y 2	89.01.1016	22.1184MHz	22.118 400 MHz, HC 49/U	
0	C 3	59.60.3337	100n		CER 50V, 10%, X7R, 0805	0	Q 51	50.60.0001		BC847B	Q BC 847 B, SOT 23	End of List:					
0	C 4	59.60.3337	100n		CER 50V, 10%, X7R, 0805	0	Q 52	50.60.0001		BC847B	Q BC 847 B, SOT 23	Comments:					
0	C 5	59.60.3337	100n		CER 50V, 10%, X7R, 0805	0	Q 53	50.60.0001		BC847B	Q BC 847 B, SOT 23						
0	C 6	59.60.3317	2n2		CER 50V, 10%, X7R, 0605	0	Q 54	50.60.0001		BC847B	Q BC 847 B, SOT 23						
0	C 7	59.60.3317	2n2		CER 50V, 10%, X7R, 0605	0	Q 55	50.60.0001		BC847B	Q BC 847 B, SOT 23						
0	C 8	59.60.3317	2n2		CER 50V, 10%, X7R, 0805	0	Q 56	50.60.0001		BC847B	Q BC 847 B, SOT 23						
0	C 9	59.60.3317	2n2		CER 50V, 10%, X7R, 0805	0	Q 57	50.60.0001		BC847B	Q BC 847 B, SOT 23						
0	C 10	59.60.2231	18p		CER 50V, 5%, COG, 0803	0	Q 58	50.60.0001		BC847B	Q BC 847 B, SOT 23						
0	C 11	59.60.2237	33p		CER 50V, 5%, COG, 0803	0	R 1	57.60.1100		0R0	MF, 0204						
0	C 12	59.60.2237	33p		CER 50V, 5%, COG, 0803	0	R 6	57.60.1101		100R	MF, 1%, 0204, E24						
0	C 13	59.60.3337	100n		CER 50V, 10%, X7R, 0805	0	R 6	57.60.1101		100R	MF, 1%, 0204, E24						
0	C 14	59.60.3337	100n		CER 50V, 10%, X7R, 0805	0	R 7	57.60.1101		100R	MF, 1%, 0204, E24						
0	C 15	59.22.4002	100uF		EL 16V, 20%, RM5	0	R 8	57.60.1101		100R	MF, 1%, 0204, E24						
0	C 16	59.22.4002	100uF		EL 16V, 20%, RM5	0	R 9	57.60.1682		6K8	MF, 1%, 0204, E24						
0	C 17	59.22.4002	100uF		EL 16V, 20%, RM5	0	R 10	57.60.1682		6K8	MF, 1%, 0204, E24						
0	C 18	59.60.3337	100n		CER 50V, 10%, X7R, 0305	0	R 10	57.60.1682		6K8	MF, 1%, 0204, E24						
0	C 19	59.60.3337	100n		CER 50V, 10%, X7R, 0305	0	R 11	57.60.1682		6K8	MF, 1%, 0204, E24						
0	C 39	59.60.3325	10n		CER 50V, 10%, X7R, 0305	0	R 12	57.60.1682		6K8	MF, 1%, 0204, E24						
0	C 40	59.60.3325	10n		CER 50V, 10%, X7R, 0305	0	R 13	not used		100K	POT 2 *100K LIN						
0	C 41	59.60.3325	10n		CER 50V, 10%, X7R, 0305	0	R 14	not used		100K	POT 2 *100K LIN						
0	C 42	59.60.3325	10n		CER 50V, 10%, X7R, 0305	0	R 15	not used		100K	POT 2 *100K LIN						
0	C 43	59.60.3325	10n		CER 50V, 10%, X7R, 0305	0	R 16	57.60.1682		6K8	MF, 1%, 0204, E24						
0	C 44	59.60.3325	10n		CER 50V, 10%, X7R, 0805	0	R 17	57.60.1682		6K8	MF, 1%, 0204, E24						
0	C 45	59.60.3325	10n		CER 50V, 10%, X7R, 0805	0	R 18	57.60.1682		6K8	MF, 1%, 0204, E24						
0	C 46	59.60.3325	10n		CER 50V, 10%, X7R, 0805	0	R 19	57.60.1682		6K8	MF, 1%, 0204, E24						
0	C 47	59.22.6100	10u		EL 35V, 20%, RM5	0	R 20	57.60.1103		1CK	MF, 1%, 0204, E24						
0	C 48	59.60.3357	100n		CER 50V, 10%, X7R, 0805	0	R 21	57.60.1682		6K8	MF, 1%, 0204, E24						
0	C 52	59.22.6100	10u		EL 35V, 20%, RM5	0	R 22	57.60.1682		6K8	MF, 1%, 0204, E24						
0	D 1	50.60.8001	4448		D LL 4448 SOD 30	0	R 23	57.60.1682		6K8	MF, 1%, 0204, E24						
0	D 5	50.60.8001	4448		D LL 4448 SOD 30	0	R 24	57.60.1682		6K8	MF, 1%, 0204, E24						
0	D 6	50.60.8001	4448		D LL 4448 SOD 30	0	R 25	57.60.1682		6K8	MF, 1%, 0204, E24						
0	IC 1	90.82.1004	74HC 04		74 HC 04	0	R 26	57.60.1682		6K8	MF, 1%, 0204, E24						
0	IC 3	50.62.1595	74HC595		74 HC 595	0	R 27	57.60.1682		6K8	MF, 1%, 0204, E24						
0	IC 4	50.62.1595	74HC595		74 HC 595	0	R 28	57.60.1682		6K8	MF, 1%, 0204, E24						
0	IC 5	50.62.1595	74HC595		74 HC 595	0	R 29	57.60.1682		6K8	MF, 1%, 0204, E24						
0	IC 6	50.62.1595	74HC595		74 HC 595	0	R 30	57.60.1682		6K8	MF, 1%, 0204, E24						
0	IC 7	50.62.1165	74HC165		74 HC 165	0	R 31	57.60.1682		6K8	MF, 1%, 0204, E24						
0	IC 8	50.62.1165	74HC165		74 HC 165	0	R 32	57.60.1682		6K8	MF, 1%, 0204, E24						
0	IC 9	50.62.1165	74HC165		74 HC 165	0	R 33	57.60.1682		6K8	MF, 1%, 0204, E24						
0	IC 10	50.62.1165	74HC165		74 HC 165	0	R 34	57.60.1682		6K8	MF, 1%, 0204, E24						
0	IC 12	1.950.890.22	SW 860 MONITOR (50.16.0313)		SW 860 MONITOR (50.16.0313)	0	R 35	57.60.1682		6K8	MF, 1%, 0204, E24						
0	IC 13	50.61.8101	88HC88		A/D Converter 10bit 8ch SO 20	0	R 36	57.60.1682		6K8	MF, 1%, 0204, E24						
0	IC 14	50.16.01-5	75178		IC SN 75178 BP, DS 3695 N,	0	R 37	57.60.1682		6K8	MF, 1%, 0204, E24						
0	IC 15	50.62.1165	74HC165		74 HC 165	0	R 38	57.60.1682		6K8	MF, 1%, 0204, E24						
0	MP 1	1.990.490.01	1	psc	FRONTSCHILD SOURCE SEL. 20PB	0	R 39	57.60.1682		6K8	MF, 1%, 0204, E24						
0	MP 2	1.990.480.02	1	psc	TRAEGER SOURCE SELECTOR 20PB	0	R 40	57.60.1682		6K8	MF, 1%, 0204, E24						
0	MP 3	1.010.022.21	2	psc	L-Schraube IS sw spezial	0	R 41	57.60.1682		6K8	MF, 1%, 0204, E24						
0	MP 4	24.16.3023	2	psc	WELLENISCHERUNG 2.3	0	R 42	57.60.1682		6K8	MF, 1%, 0204, E24						
0	MP 5	21.01.2352	4	psc	S - Schraube 2n gb chr	0	R 43	57.60.1103		10K	MF, 1%, 0204, E24						
0	MP 6	1.950.100.01	2	psc	QUERPRINTSTUETZE	0	R 44	57.60.1103		10K	MF, 1%, 0204, E24						
0	MP 7	1.950.890.04	1	psc	STUDIER NR. ETIKETTE 10x20	0	R 45	57.60.1103		10K	MF, 1%, 0204, E24						
0	MP 8	1.050.891.11	1	psc	PANEL ADAPTER RS 485 PCB	0	R 50	57.60.1101		100R	MF, 1%, 0204, E24						
0	MP 9	89.01.1439	1	psc	QUARZ - ISOLIERPLATTE	0	R 51	not used		100K	POT 2 *100K LIN						
0	MP 10	43.01.0138	1	psc	ESSE-WARNENSCHILD	0	R 53	57.60.1150		15R	MF, 1%, 0204, E24						
0	MP 11	28.99.0119	2	psc	ROHRNIETE D 2,5*1,6" 9	0	R 55	57.92.1820		94mA	PTC, 60V, 50 Ohm						
0	MP 12	1.101.001.20	1	psc	TEXT-ETIK. 5*20 HARDWARE-20	0	R 57	57.92.1820		94mA	PTC, 60V, 50 Ohm						
0	P 2	54.11.2013	32p		EU-BK 2*16p	0	R 58	57.92.7016		16A	POLY- PTC, 50V						
0	P 5	54.11.0125	53	psc	P STIFT,WINKEL 1 PIN=1 STK.	0	R 59	57.92.7016		16A	POLY- PTC, 50V						
0	Q 1	50.60.0001			BC847B	Q BC 847 B, SOT 23	0	R 60	57.60.1103		10K	MF, 1%, 0204, E24					
0	Q 2	50.60.0001			BC847B	Q BC 847 B, SOT 23	0	R 105	57.60.1000		0R0	MF, 0204					
0	Q 3	50.60.0001			BC847B	Q BC 847 B, SOT 23	0	R 107	57.60.1000		0R0	MF, 0204					
0	Q 4	50.60.0001			BC847B	Q BC 847 B, SOT 23	0	R 108	57.60.1000		0R0	MF, 0204					
0	Q 31	50.60.0001			BC847B	Q BC 847 B, SOT 23	0	R 109	57.60.1000		0R0	MF, 0204					
0	Q 32	50.60.0001			BC847B	Q BC 847 B, SOT 23	0	R 111	57.60.1000		0R0	MF, 0204					
0	Q 33	50.60.0001			BC847B	Q BC 847 B, SOT 23	0	R 112	57.60.1000		0R0	MF, 0204					
0	Q 34	50.60.0001			BC847B	Q BC 847 B, SOT 23	0	RZ 17	57.88.4104		8*100K	2%, SIP 9					
0	Q 35	50.60.0001			BC847B	Q BC 847 B, SOT 23	0	RZ 20	57.88.4104		8*100K	2%, SIP 9					
0	Q 36	50.60.0001			BC847B	Q BC 847 B, SOT 23	0	RZ 21	57.88.4104								

Source Selector Switch Board 1.990.499.00



① 3.4.98				
990499-S				PAGE 1 OF 1
STUDER NECESSARIO SWITZERLAND	Source Selector Switchboard			1.990.499.00

Source Selector Switch Board 1.990.499.00



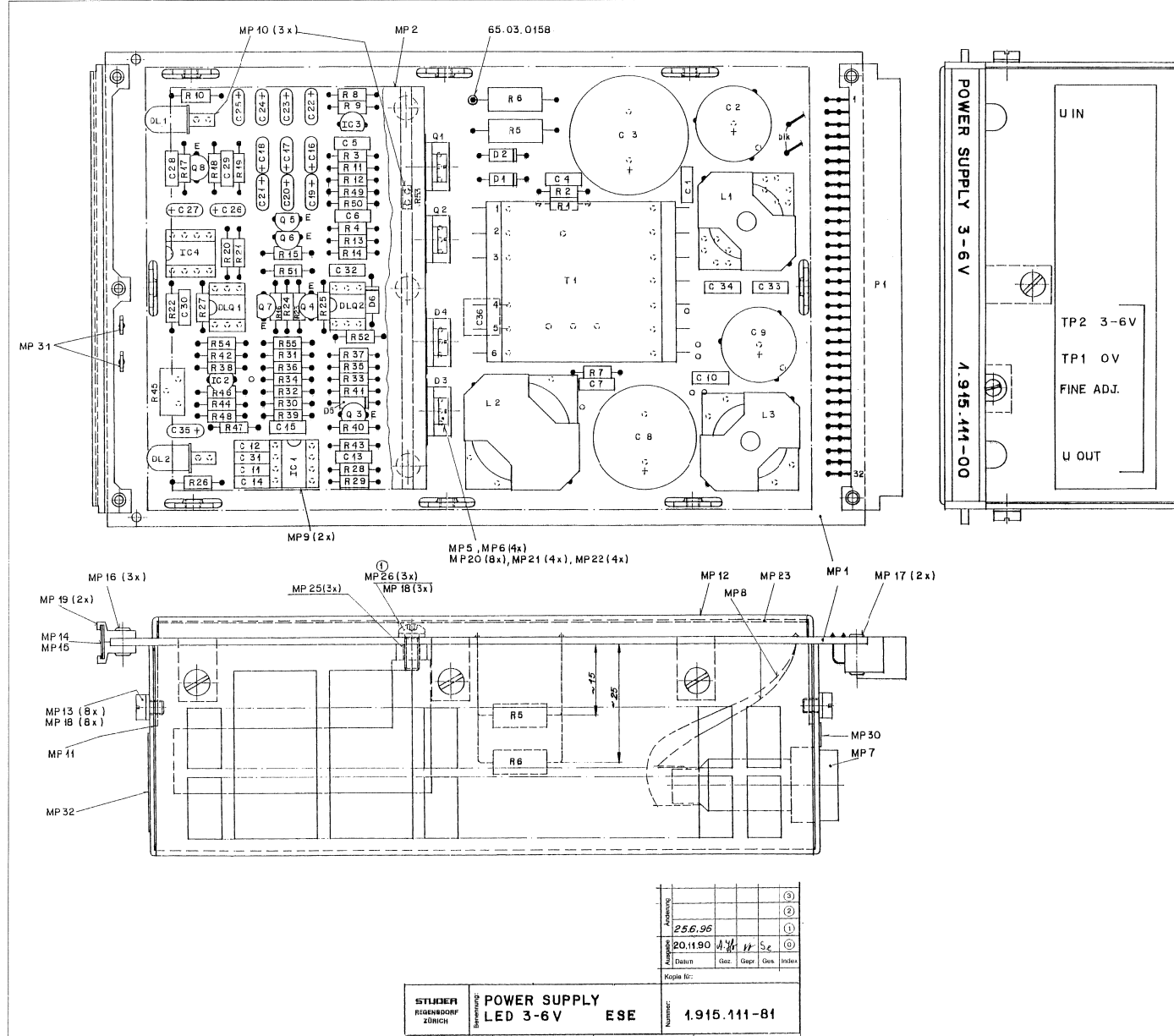
SCHEMATA / CIRCUIT DIAGRAMS

Power Supply

Power Supply 3V...6V	1.915.111.81
Power Supply 5V/20A	1.940.601.81
Power Supply $\pm 15V/3,4A$	1.940.602.81
Power Supply 24V/4,2A	1.940.603.81
Power Supply 12V/8A	1.940.604.81



Power Supply 3V...6V 1.915.111.81



Idx.	Pos.	Part No.	Qty.	Type/Val.	Description
0	C 1	59.06.0104	100n	PETP, 10%, 63V	
0	C 2	59.22.8102	1m	EL. 40V, 20%, rad Tripod	
0	C 3	59.29.4472	4700u35	C 4700 U 20% 35 V, EL	
0	C 4	59.08.0153	15n	PETP, 10%, 63V	
0	C 5	59.06.0222	2n2	PETP, 10%, 63V	
0	C 6	59.06.0222	2n2	PETP, 10%, 63V	
0	C 7	59.06.0222	2n2	PETP, 10%, 63V	
0	C 8	59.29.1103	10000u10	C 10000 U 20% 10 V, EL	
0	C 9	59.22.8102	1m	EL. 40V, 20%, rad Tripod	
0	C 10	59.06.0104	100n	PETP, 10%, 63V	
0	C 11	59.06.0104	100n	PETP, 10%, 63V	
0	C 12	59.06.0104	100n	PETP, 10%, 63V	
0	C 13	59.06.0104	100n	PETP, 10%, 63V	
0	C 14	59.06.0104	100n	PETP, 10%, 63V	
0	C 15	59.06.0104	100n	PETP, 10%, 63V	
0	C 16	59.26.2150	15u	SAL, 20%, 16V	
0	C 17	59.26.2150	15u	SAL, 20%, 16V	
0	C 18	59.26.2150	15u	SAL, 20%, 16V	
0	C 19	59.26.2150	15u	SAL, 20%, 16V	
0	C 20	59.26.2150	15u	SAL, 20%, 16V	
0	C 21	59.26.2150	15u	SAL, 20%, 16V	
0	C 22	59.26.2150	15u	SAL, 20%, 16V	
0	C 23	59.26.2150	15u	SAL, 20%, 16V	
0	C 24	59.26.2150	15u	SAL, 20%, 16V	
0	C 25	59.26.2150	15u	SAL, 20%, 16V	
0	C 26	59.26.2150	15u	SAL, 20%, 16V	
0	C 27	59.26.2150	15u	SAL, 20%, 16V	
0	C 28	59.06.0222	2n2	PETP, 10%, 63V	
0	C 29	59.34.4181	150p	ICR 50V, 5%, N750	
0	C 30	59.06.0104	100n	PETP, 10%, 63V	
0	C 31	59.06.0104	100n	PETP, 10%, 63V	
0	C 32	59.06.0103	10n	PETP, 10%, 63V	
0	C 33	59.06.0334	330n	PETP, 10%, 63V	
0	C 34	59.06.0334	330n	PETP, 10%, 63V	
0	C 35	59.26.2150	15u	SAL, 20%, 16V	
0	C 36	59.06.0104	100n	PETP, 10%, 63V	
0	D 1	50.04.0138	UF4004	D BYT 01-400, UF 4004	
0	D 2	50.04.0138	UF4004	D BYT 01-400, UF 4004	
0	D 3	50.04.0517	BYV32-200	D BYV32-200, BYV 32E-200,	
0	D 4	50.04.0517	BYV32-200	D BYV32-200, BYV 32E-200,	
0	D 5	50.04.0125	1N4448	75V, 150mA, 4ns, DO-35	
0	D 6	50.04.1108	5V6	Zener, 5%, 0.5W, DO-35	
0	DL 1	50.04.2113	MV5453	DL MV 5453, HLMP 3507 GN DIFF	
0	DL 2	50.04.2111	MV5753	DL MV 5753, HLMP 3301 RT DIFF	
0	DLQ 1	50.04.3200	CNY17	DLQ CNY 17-2, CNY 17-2Z,	
0	DLQ 2	50.04.3200	CNY17	DLQ CNY 17-2, CNY 17-2Z,	
0	F 1	51.01.0125	6.3A	F T6.3/250V, 5 * 20	
0	IC 1	50.05.0283	LM393	Dual Comparator	
0	IC 2	50.10.0106	TL431	IC TL 431 CLP,	
0	IC 3	50.10.0108	LM317L	IC LM 317 L,	
0	IC 4	50.10.0113	UC3843	IC IP 3843 N	
0	L 1	1.022.640.00		FILTER COIL 38UH/5A	
0	L 2	1.022.641.00		DUAL COIL 2*22UH/5A	
0	L 3	1.022.642.00		DUAL COIL 2* 1.6MH/10A	
0	MP 1	1.915.111.12	1 pcs	POWER SUPPLY LED 3-6V PCB	
0	MP 2	50.20.3005	1 pcs	KUEHLKOERPER L 84 MM	
0	MP 3	not used	pcs		
0	MP 4	not used	pcs		
0	MP 5	50.20.0305	4 pcs	TO 220 GLIMMERSCHIBE GEFETTET	
0	MP 6	50.20.0404	4 pcs	ISOLIERDURCHFUEHRUNG, D 6.0/3.5	
0	MP 7	33.03.0108	1 pcs	XF 5 * 20, BER.SCHUTZ BAJON	
0	MP 8	1.915.111.93	1 pcs	LL POWER SUPPLY LED 3-6V	
0	MP 9	52.03.0168	2 pcs	XIC DIL 8-POL	
0	MP 10	1.010.012.50	3 pcs	DIODENHALTER	
0	MP 11	1.915.111.01	1 pcs	ABDECKHAUSE BESTUECKUNGSSEITE	
0	MP 12	1.915.111.02	1 pcs	ABDECKHAUSE LOETSSEITE	
0	MP 13	21.53.0352	0 pcs	Z - SCHR. IS, ZN, M 3 * 4	
0	MP 14	1.915.111.04	1 pcs	BEZ-STREIFEN 6.3 * 91	
0	MP 15	1.010.059.48	1 pcs	KLARSICHTSCHILD	
0	MP 16	26.21.1389	3 pcs	ROHRNIETE, D3.25* 6.5	
0	MP 17	28.99.0119	2 pcs	ROHRNIETE D 2.5*0.15* 9	
0	MP 18	24.16.1030	11 pcs	RIPPENSCHIBE D 3.2/5.5	
0	MP 19	1.010.006.33	2 pcs	GRIFFFHAELFTE	
0	MP 20	37.01.0101	8 pcs	TELLERFEDER D 3.2/ 8 * 0.3	
0	MP 21	21.01.0356	4 pcs	Z - SCHR. ZN, M 3 * 10	
0	MP 22	1.010.059.27	4 pcs	DISTANZHEISE D3.17 D* 2.3	
0	MP 23	1.915.111.03	1 pcs	ISOLATION 138*19 SELBSTKLEBEND	
0	MP 24	1.010.088.27	3 pcs	DISTANZHEISE D 3.2/ 7 * 3.5	
1	MP 25	21.51.8357	3 pcs	LIN-SCHR. IS, NI, M 3 * 12	
0	MP 27	not used	pcs		
0	MP 28	65.03.0156	23 pcs	IS-SCHLAUCH, NATUR, D.127/11.73	
0	MP 30	1.010.123.51	1 pcs	TEXT-ETIK. 5*20 (T6.30A)	



Power Supply 3V...6V I.915.I11.81

Idx.	Pos.	Part No.	Qty.	Type/Val.	Description
0	MP 31	54.02.0320	2 pcs	1p	Flatpin, 2.8*0.8mm
0	MP 32	1.915.111.05	1 pcs		KLEBSCHILD FUER POWER SUPPLY
0	P 1	54.11.2004		64-P	P EU-B 2 * 32
0	Q 1	50.03.1509		IRF540	IRF 540, IRF 540 N
0	Q 2	50.03.1509		IRF540	IRF 540, IRF 540 N
0	Q 3	50.03.0340		BC337-25	BC 337-25,
0	Q 4	50.03.0351		BC327-25	PNP, 800mA
0	Q 5	50.03.0523		ZTX651	ZTX 651
0	Q 6	50.03.0352		ZTX751S	ZTX 751 S
0	Q 7	50.03.0340		BC337-25	BC 337-25,
0	Q 8	50.03.0340		BC337-25	BC 337-25,
0	R 1	57.11.3102		1k0	MF, 1%, 0207
0	R 2	57.11.3102		1k0	MF, 1%, 0207
0	R 3	57.11.3220		22R	MF, 1%, 0207
0	R 4	57.11.3220		22R	MF, 1%, 0207
0	R 5	57.56.2020		R020	WW, 5%, 3 W
0	R 6	57.56.2050		R050	WW, 5%, 3 W
0	R 7	57.11.3120		12R	MF, 1%, 0207
0	R 8	57.11.3102		1k0	MF, 1%, 0207
0	R 9	57.11.3103		10k	MF, 1%, 0207
0	R 10	57.11.3362		3k6	MF, 1%, 0207
0	R 11	57.11.3220		22R	MF, 1%, 0207
0	R 12	57.11.3682		6k8	MF, 1%, 0207
0	R 13	57.11.3220		22R	MF, 1%, 0207
0	R 14	57.11.3682		6k8	MF, 1%, 0207
0	R 15	57.11.3561		560R	MF, 1%, 0207
0	R 16	57.11.3682		6k8	MF, 1%, 0207
0	R 17	57.11.3103		10k	MF, 1%, 0207
0	R 18	57.11.3684		680k	MF, 1%, 0207
0	R 19	57.11.3103		10k	MF, 1%, 0207
0	R 20	57.11.3102		1k0	MF, 1%, 0207
0	R 21	57.11.3102		1k0	MF, 1%, 0207
0	R 22	57.11.3104		100k	MF, 1%, 0207
0	R 23	57.11.3162		1k6	MF, 1%, 0207
0	R 24	57.11.3391		390R	MF, 1%, 0207
0	R 25	57.11.3104		100k	MF, 1%, 0207
0	R 26	57.11.3561		560R	MF, 1%, 0207
0	R 27	57.11.3241		240R	MF, 1%, 0207
0	R 28	57.11.3682		6k8	MF, 1%, 0207
0	R 29	57.11.3000		0R0	MF, 0207
0	R 30	57.11.3682		6k8	MF, 1%, 0207
0	R 31	57.11.3682		6k8	MF, 1%, 0207
0	R 32	57.11.3162		1k6	MF, 1%, 0207
0	R 33	57.11.3181		180R	MF, 1%, 0207
0	R 34	57.11.3202		2k0	MF, 1%, 0207
0	R 35	57.11.3151		150R	MF, 1%, 0207
0	R 36	57.11.3362		3k6	MF, 1%, 0207
0	R 37	57.11.3561		560R	MF, 1%, 0207
0	R 38	57.11.3682		6k8	MF, 1%, 0207
0	R 39	57.11.3563		56k	MF, 1%, 0207
0	R 40	57.11.3682		6k8	MF, 1%, 0207
0	R 41	57.11.3682		6k8	MF, 1%, 0207
0	R 42	57.11.3241		240R	MF, 1%, 0207
0	R 43	57.11.3682		6k8	MF, 1%, 0207
0	R 44	57.11.3682		6k8	MF, 1%, 0207
0	R 45	58.01.9102		1k	Cermet, 10%, 0.5W, vertical
0	R 46	57.11.3682		6k8	MF, 1%, 0207
0	R 47	57.11.3104		100k	MF, 1%, 0207
0	R 48	57.11.3104		100k	MF, 1%, 0207
0	R 49	57.11.3202		2k0	MF, 1%, 0207
0	R 50	57.11.3202		2k0	MF, 1%, 0207
0	R 51	57.11.3102		1k0	MF, 1%, 0207
0	R 52	57.11.3151		150R	MF, 1%, 0207
0	R 53	57.99.0220			R 10.7 K, NTC
0	R 54	57.11.3102		1k0	MF, 1%, 0207
0	R 55	57.11.3102		1k0	MF, 1%, 0207
0	T 1	1.022.639.00			SCHALTRAFO POWER SUPPLY 3-6V

End of List

Comments

(01) MP26 21.53.0357 Changed to 21.51.8357

7 POWER SUPPLY UNITS

General For the power supply of the D950 mixing system, standard 19" units with wide-range input and power factor correction are used, equipped with a Studer front panel.

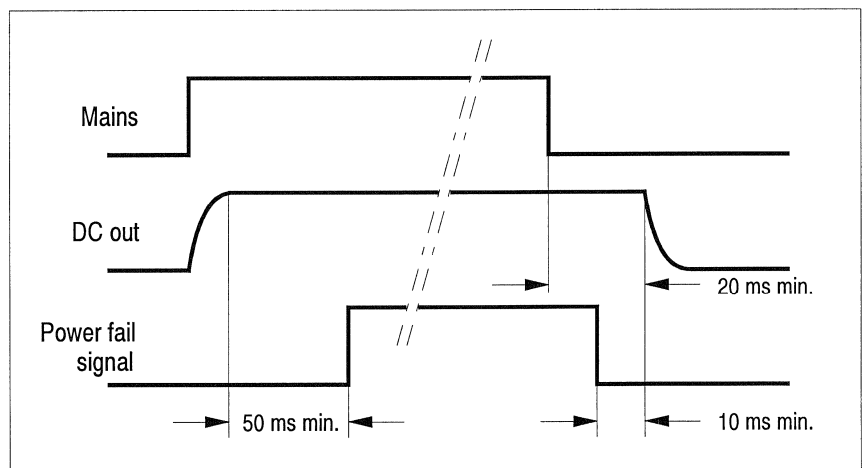
Studer Part No.	Description
1.940.601.81	Power Supply 5 V/20 A
1.940.602.81	Power Supply ± 15 V/3.4 A
1.940.603.81	Power Supply 24 V/4.2 A
1.940.604.81	Power Supply 12 V/8 A



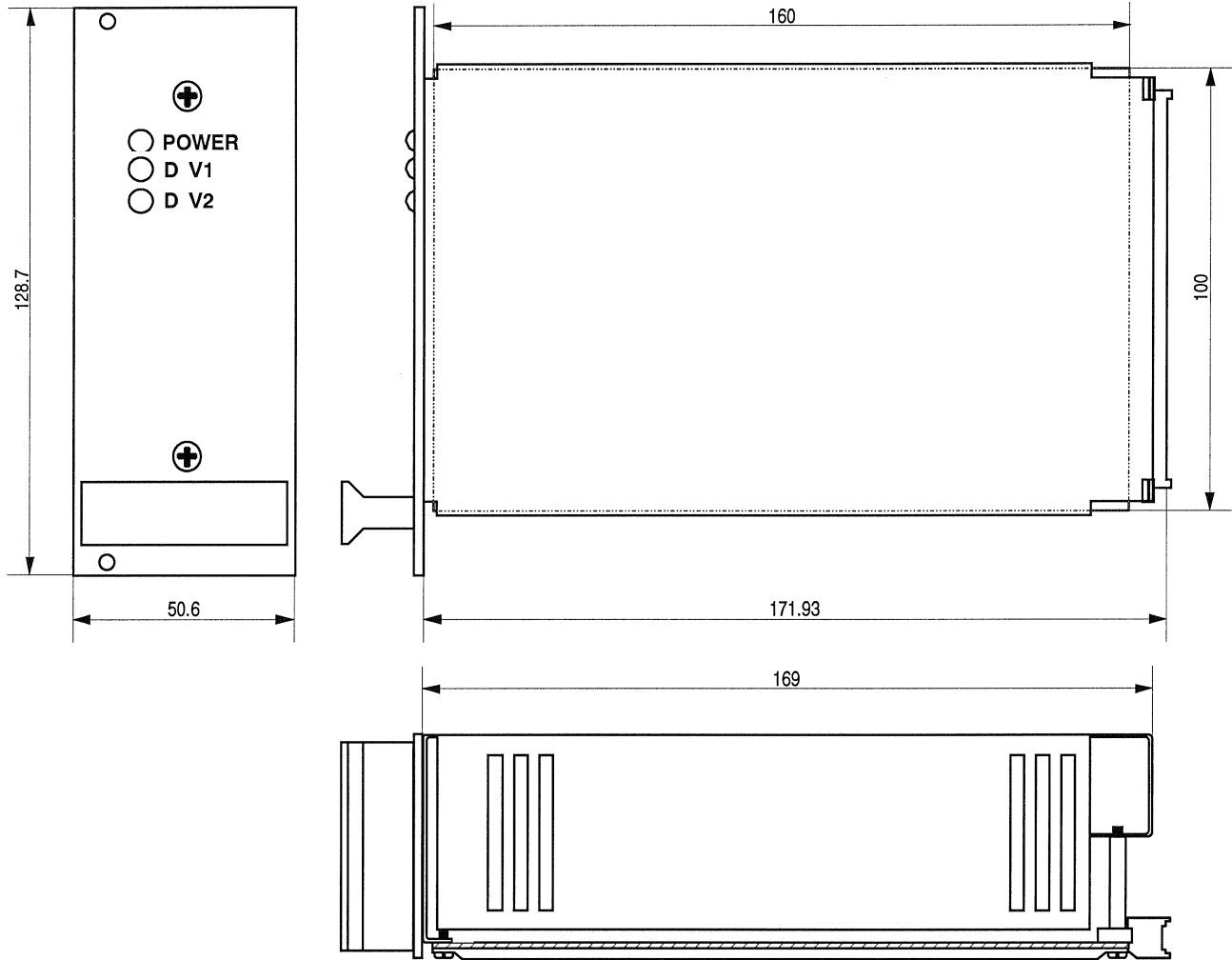
Important As the power supply units are safety-relevant parts, they may be serviced only by authorized personnel using original spare parts. For replacement or repair, contact your nearest Studer representative.

7.1 Specifications

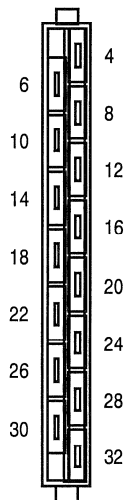
- Mains Voltages** 100...240 VAC
- Mains Frequency** 47...440 Hz
- Efficiency** typ. 75%
- Output Power** 100 W total
- Output(s)** short-circuit protected, main output(s) overload protected (110%)
- Power Down (Logic Inhibit)** Control input, TTL compatible, active high (5 V/1.6 mA)
- Power Fail** Output, open collector, TTL compatible, active low (max. 30 V/16 mA) (see diagram below).



Dimensions (mm)



Pin Assignment



Pin	Single Output	Dual Output
4	V1 +	V1 +
6	V1 +	V1 GND
8	Sense +	V2 -
10	Sense GND	V2 GND
12	V1 GND	n.c.
14	V1 GND	n.c.
16	n.c.	n.c.
18	n.c.	n.c.
20	Logic inhibit	Logic inhibit
22	Power fail	Power fail
24	n.c.	n.c.
26	n.c.	n.c.
28	AC live	AC live
30	AC neutral	AC neutral
32	Protective earth	Protective earth

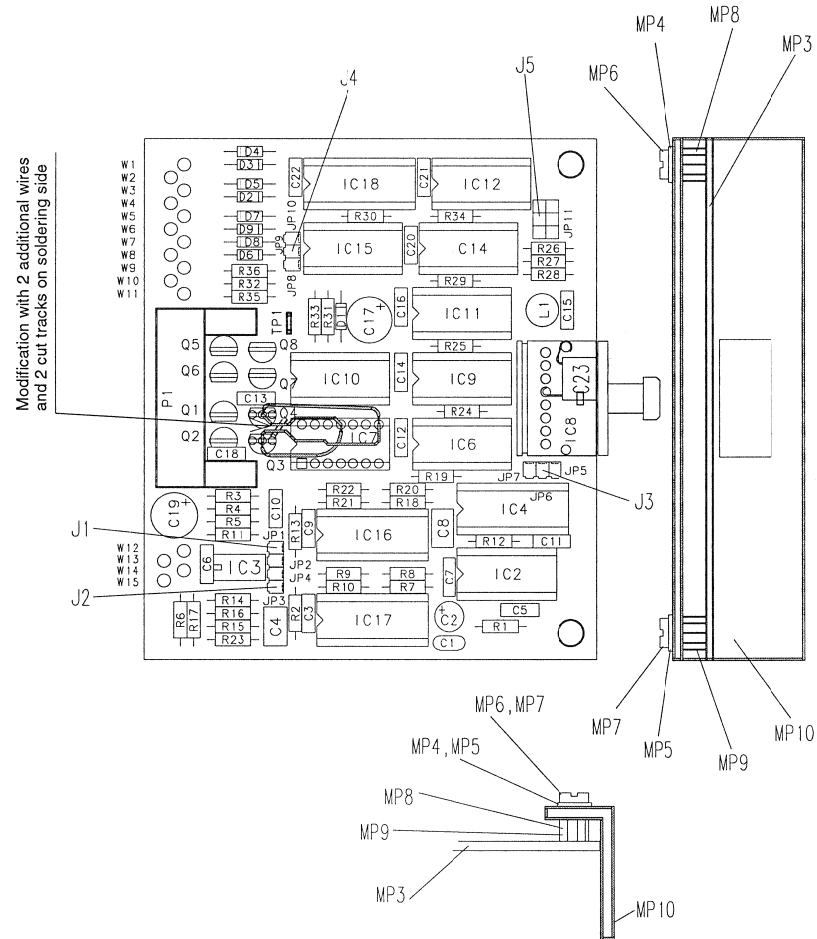
SCHEMATA / CIRCUIT DIAGRAMS

Units of Connector Panel

Optical Synchronous Interface	1.940.140.81
Optical PC Interface Board	1.950.460.21



Optical Synchronous Interface 1.940.140.81



Idx. Pos.	Part No.	Qty.	Type/Val.	Description	Idx. Pos.	Part No.	Qty.	Type/Val.	Description
0 C 1	59.34.4221	220p		CER 63V, 5%, N750	0 Q 6	50.03.1505		VN0808M	VN 0808 M, ZVN 0108 A
0 C 2	59.22.8479	4u7		EL 50V, 20%, RM5	0 Q 7	50.03.1554		VP0808M	VP 0808 M
0 C 3	59.08.0883	68n		PETP, 63V, 10%, RM5	0 Q 8	50.03.1554		VP0808M	VP 0808 M
0 C 4	59.08.0474	470n		PETP, 63V, 10%, RM5	0 R 1	57.11.3222	2k2	MF, 1%	0207
0 C 5	59.08.0883	68n		PETP, 63V, 10%, RM5	0 R 2	57.11.3472	4k7	MF, 1%	0207
0 C 6	59.08.0883	68n		PETP, 63V, 10%, RM5	0 R 3	57.11.3271	270R	MF, 1%	0207
0 C 7	59.08.0152	1n5		PETP, 63V, 10%, RM5	0 R 4	57.11.3102	1k0	MF, 1%	0207
0 C 8	59.08.0474	470n		PETP, 63V, 10%, RM5	0 R 5	57.11.3103	10k	MF, 1%	0207
0 C 9	59.08.0883	68n		PETP, 63V, 10%, RM5	0 R 6			not used	9k1
0 C 10	55.08.0883	68n		PETP, 63V, 10%, RM5	0 R 7	57.11.3470	47R	MF, 1%	0207
0 C 11	59.08.0883	68n		PETP, 63V, 10%, RM5	0 R 8	57.11.3331	330R	MF, 1%	0207
0 C 12	59.08.0883	68n		PETP, 63V, 10%, RM5	0 R 9	57.11.3472	4k7	MF, 1%	0207
0 C 13	59.08.0104	100n		PETP, 63V, 10%, RM5	0 R 10	57.11.3274	270k	MF, 1%	0207
0 C 14	59.08.0883	68n		PETP, 63V, 10%, RM5	0 R 11	57.11.3823	82k	MF, 1%	0207
0 C 15	59.08.0104	100n		PETP, 63V, 10%, RM5	0 R 12	57.11.3222	2k2	MF, 1%	0207
0 C 16	59.08.0883	68n		PETP, 63V, 10%, RM5	0 R 13	57.11.3222	2k2	MF, 1%	0207
0 C 17	59.22.8470	47u		EL 40V, 20%, RM5	0 R 14	57.11.3222	2k2	MF, 1%	0207
0 C 18	59.08.0104	100n		PETP, 63V, 10%, RM5	0 R 15	57.11.3102	1k0	MF, 1%	0207
0 C 19	59.22.8470	47u		EL 40V, 20%, RM5	0 R 16	57.11.3103	10k	MF, 1%	0207
0 C 20	59.08.0883	68n		PETP, 63V, 10%, RM5	0 R 17	57.11.3612	9k1	MF, 1%	0207
0 C 21	59.08.0883	68n		PETP, 63V, 10%, RM5	0 R 18	57.11.3181	160R	MF, 1%	0207
0 C 22	59.08.0883	68n		PETP, 63V, 10%, RM5	0 R 19	57.11.3222	2k2	MF, 1%	0207
0 C 23	59.08.0104	100n		PETP, 63V, 10%, RM5	0 R 20	57.11.3471	470R	MF, 1%	0207
0 D 1	50.04.0125	1N4448		75V, 150mA, 4ns, DO-35	0 R 21	57.11.3274	270k	MF, 1%	0207
0 D 2	50.04.0125	1N4448		75V, 150mA, 4ns, DO-35	0 R 22	57.11.3333	33k	MF, 1%	0207
0 D 3	50.04.0125	1N4448		75V, 150mA, 4ns, DO-35	0 R 23	57.11.3561	500R	MF, 1%	0207
0 D 4	50.04.0125	1N4448		75V, 150mA, 4ns, DO-35	0 R 24	57.11.3222	2k2	MF, 1%	0207
0 D 5	50.04.0125	1N4448		75V, 150mA, 4ns, DO-35	0 R 25	57.11.3222	2k2	MF, 1%	0207
0 D 6	50.04.0125	1N4448		75V, 150mA, 4ns, DO-35	0 R 26	57.11.3183	18k	MF, 1%	0207
0 D 7	50.04.0125	1N4448		75V, 150mA, 4ns, DO-35	0 R 27	57.11.3822	82k	MF, 1%	0207
0 D 8	50.04.0125	1N4448		75V, 150mA, 4ns, DO-35	0 R 28	57.11.3122	1k2	MF, 1%	0207
0 D 9	50.04.0125	1N4448		75V, 150mA, 4ns, DO-35	0 R 29	57.11.3222	2k2	MF, 1%	0207
0 IC 2	50.17.1074	74HC74		IC ... 74 HC 74 .. A	0 R 30	57.11.3101	100R	MF, 1%	0207
0 IC 3	50.08.0283	LM393		Dual Comparator	0 R 31	57.11.3101	100R	MF, 1%	0207
0 IC 4	50.17.1153	74HC153		IC ... 74 HC 153 .. A	0 R 32	57.11.3201	200R	MF, 1%	0207
0 IC 5	50.17.1074	74HC74		IC ... 74 HC 74 .. A	0 R 33	57.11.3223	22k	MF, 1%	0207
0 IC 6	50.17.1074	74HC74		IC ... 74 HC 74 .. A	0 R 34	57.11.3271	270R	MF, 1%	0207
0 IC 7	50.17.1086	74HC86		IC ... 74 HC 86 .. A	0 R 35	57.11.3101	100R	MF, 1%	0207
1 IC 8	83.10.0102	TODX294		Duplex Transceiver	0 R 36	57.11.3101	100R	MF, 1%	0207
0 IC 9	50.17.1086	74HC86		IC ... 74 HC 86 .. A	0 TP 1	54.02.0320	1p		Flatpin, 2.8*0.8mm
0 IC 10	50.17.1074	74HC74		IC ... 74 HC 74 .. A					
0 IC 11	50.17.1074	74HC74		IC ... 74 HC 74 .. A					
0 IC 12	50.17.1032	74HC32		IC ... 74 HC 32 .. A					
0 IC 13	50.17.1113	74HC113		IC ... 74 HC 113 .. A					
0 IC 14	50.17.1113	74HC113		IC ... 74 HC 113 .. A					
0 IC 15	50.17.1086	74HC86		IC ... 74 HC 86 .. A					
0 IC 16	50.17.4046			IC ... 74 HC 4046 .. A					
0 IC 17	50.17.4046			IC ... 74 HC 4046 .. A					
0 IC 18	50.15.0104	MC3486		IC MC 3486 P, DS 3486 N.					
0 J 2	54.01.0021			Jumper 0.63 * 0.63mm					
0 J 3	54.01.0021			Jumper 0.63 * 0.63mm					
0 J 4	54.01.0021			Jumper 0.63 * 0.63mm					
0 J 5	54.01.0021			Jumper 0.63 * 0.63mm					
0 JP 1	54.01.0020	1p		Pin 0.63*0.63					
0 JP 2	54.01.0020	1p		Pin 0.63*0.63					
0 JP 3	54.01.0020	1p		Pin 0.63*0.63					
0 JP 4	54.01.0020	1p		Pin 0.63*0.63					
0 JP 5	54.01.0020	1p		Pin 0.63*0.63					
0 JP 6	54.01.0020	1p		Pin 0.63*0.63					
0 JP 7	54.01.0020	1p		Pin 0.63*0.63					
0 JP 8	54.01.0020	1p		Pin 0.63*0.63					
0 JP 9	54.01.0020	1p		Pin 0.63*0.63					
0 JP 10	54.01.0020	1p		Pin 0.63*0.63					
0 JP 11	54.11.0139	2*9p		Pin 0.63*0.63, RM2.54					
0 L 1	82.02.3101	100uH		10%, radial RM 5					
0 MP 1	43.01.0108	mp		Label ESE-WARNSCILD					
0 MP 2	1.940.140.04	mp		NR-ETIKETTE 5 * 20					
0 MP 3	1.940.140.11	mp		OPTICAL SYNCHRONOUS PCB /A					
0 MP 4	24.16.1030	mp		RIPPENSCHLEIBE D 3.2/5.5					
0 MP 5	24.16.1030	mp		RIPPENSCHLEIBE D 3.2/5.5					
0 MP 6	21.53.0354	mp		Z-SCHR. IS, ZN, M 3 * 6					
0 MP 7	21.53.0354	mp		Z-SCHR. IS, ZN, M 3 * 6					
0 MP 8	1.010.014.22	mp	3*4.5	NIETMUTTER SW6 M 3 *4.5					
0 MP 9	1.010.014.22	mp	3*4.5	NIETMUTTER SW6 M 3 *4.5					
0 MP 10	1.940.140.01	mp		PRINTHALTER					
0 P 1	54.14.2103	20p		P STECKER 20 P,AV,VR,GERADE					
0 Q 1	50.03.1505	VN0808M		VN 0808 M, ZVN 0108 A					
0 Q 2	50.03.1505	VN0808M		VN 0808 M, ZVN 0108 A					
0 Q 3	50.03.1554	VP0808M		VP 0808 M					
0 Q 4	50.03.1554	VP0808M		VP 0808 M					
0 Q 5	50.03.1505	VN0808M		VN 0808 M, ZVN 0108 A					

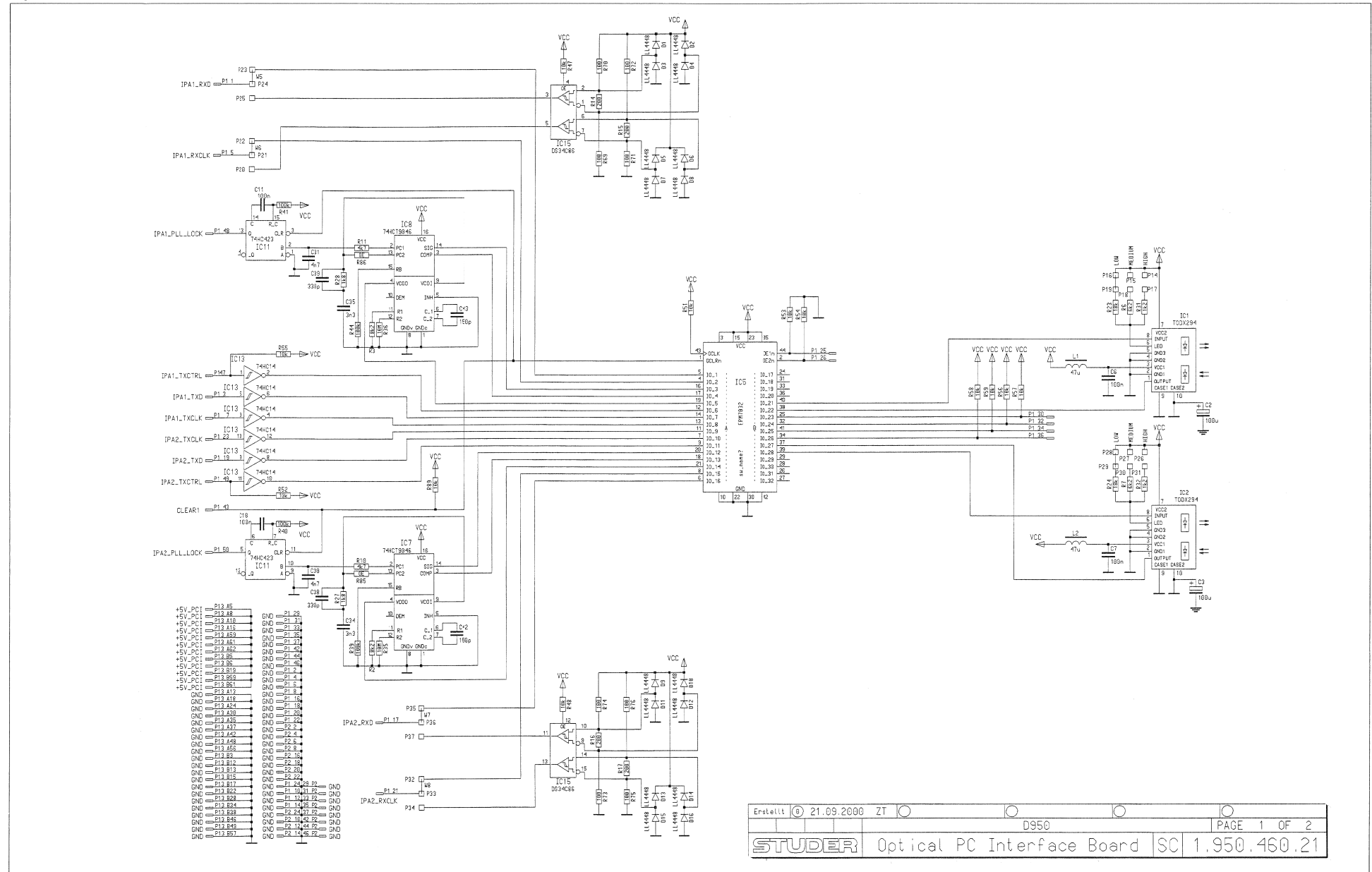
Comments:
IC8 has been changed for longer distance performance. Polarity of HDCA/HDTCB has been changed.

End of List

STUDER REGENSDORF OPTICAL SYNCHRONOUS INTER-FACE ESE 1.940.140.81

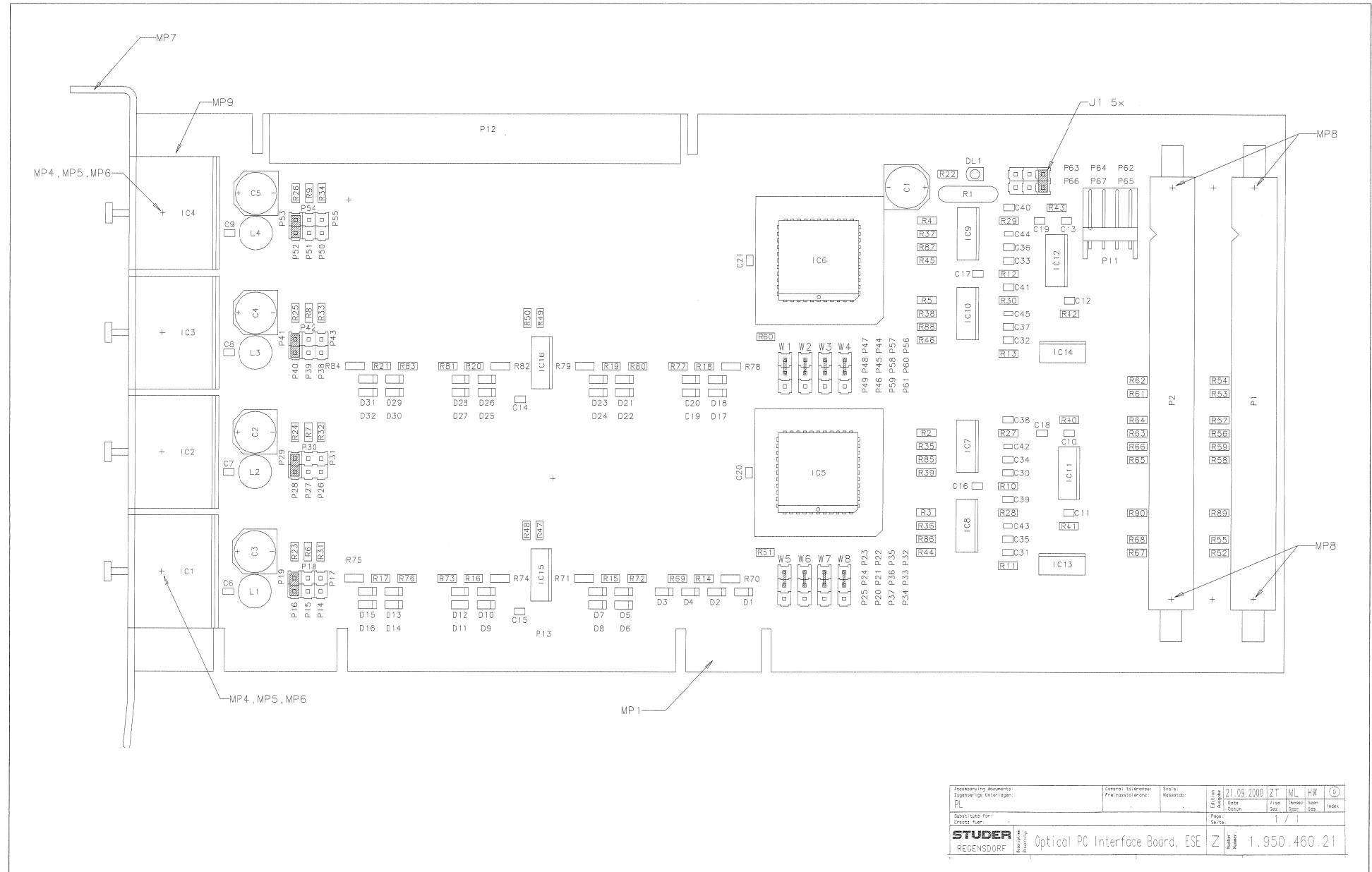
Erstellt	30.06.97	BN	HM	HM	0
Revis	17.04.96	Ro	HM	HM	0
Drawn					
Vis					
Drawn					
Exp					
Exp					
Exp					
Exp					

Optical PC Interface Board I.950.460.21



Erstellt	21.09.2000	ZT	D950	PAGE 1 OF 2
STUDER		Optical PC Interface Board SC		I.950.460.21

Optical PC Interface Board I.950.460.21



Assembling documents: Zugabe: op. Unterlegen: PL	General: To: Werner: Produktionsart: Scale: Massstab:	Date: 21.09.2000	IT	ML	HW
Substitute for: Draht: hier:		Page: 1 / 1	Index:		
STUDER REGENSDORF		Optical PC Interface Board, ESE Z 1.950.460.21			

Optical PC Interface Board 1.950.460.21

Idx	Pos.	Part No.	Qty.	Type/Val.	Description	Idx	Pos.	Part No.	Qty.	Type/Val.	Description	Idx	Pos.	Part No.	Qty.	Type/Val.	Description	Idx	Pos.	Part No.	Qty.	Type/Val.	Description								
0	C 1	59.68.0073	220u	EL	16V, 8.0*10.7	0	DL 1	50.04.2132	TLUG 2401	DL	TLUG 2401	GN	MATT	0	> 48	not used	1p	Pin, 1reihtig, gerade	0	R 26	57.60.1183	18k	MF, 1%, 0204, E24								
0	C 2	59.68.0071	100u	EL	16V, 8.0*5.3	0	IC 1	85.10.0102	TODX294	Duplex Transceiver	0	> 49	not used	1p	Pin, 1reihtig, gerade	0	R 27	57.60.1182	1k8	MF, 1%, 0204, E24	0	R 27	57.60.1182	1k8	MF, 1%, 0204, E24						
0	C 3	59.68.0071	100u	EL	16V, 8.0*5.3	0	> 50	54.11.0138	1 pce	2*3p	Pin 0.63*0.63, RM2.54	0	R 28	57.60.1182	1k8	MF, 1%, 0204, E24	0	R 29	57.60.1182	1k8	MF, 1%, 0204, E24	0	R 30	57.60.1182	1k8	MF, 1%, 0204, E24					
0	C 4	59.68.0071	100u	EL	16V, 8.0*5.3	0	IC 2	85.10.0102	TODX294	Duplex Transceiver	0	P 51	54.01.0020	0 pce	1p	Pin, 1reihtig, gerade	0	R 31	57.60.1122	1k2	MF, 1%, 0204, E24	0	R 32	57.60.1122	1k2	MF, 1%, 0204, E24					
0	C 5	59.68.0071	100u	EL	16V, 8.0*5.3	0	IC 3	85.10.0102	TODX294	Duplex Transceiver	0	P 52	54.01.0020	0 pce	1p	Pin, 1reihtig, gerade	0	R 33	57.60.1122	1k2	MF, 1%, 0204, E24	0	P 53	54.01.0020	0 pce	1p	Pin, 1reihtig, gerade				
0	C 6	59.60.3337	100n	CER	50V, 10%, X7R, 0805	0	IC 4	1.950.905.20	SW 460 IFOPTO (50.63.4201)	0	P 54	54.01.0020	0 pce	1p	Pin, 1reihtig, gerade	0	P 55	54.01.0020	0 pce	1p	Pin, 1reihtig, gerade	0	P 56	not used	1p	Pin, 1reihtig, gerade					
0	C 7	59.60.3337	100n	CER	50V, 10%, X7R, 0805	0	IC 5	1.950.905.20	SW 460 IFOPTO (50.63.4201)	0	P 57	not used	1p	Pin, 1reihtig, gerade	0	P 58	not used	1p	Pin, 1reihtig, gerade	0	R 34	57.60.1122	1k2	MF, 1%, 0204, E24	0	R 35	57.60.1106	10M	MF, 1%, 0204, E24		
0	C 8	59.60.3337	100n	CER	50V, 10%, X7R, 0805	0	IC 6	1.950.905.20	SW 460 IFOPTO (50.63.4201)	0	P 59	not used	1p	Pin, 1reihtig, gerade	0	P 60	not used	1p	Pin, 1reihtig, gerade	0	R 36	57.60.1106	10M	MF, 1%, 0204, E24	0	R 37	57.60.1106	10M	MF, 1%, 0204, E24		
0	C 9	59.60.3337	100n	CER	50V, 10%, X7R, 0805	0	IC 7	50.63.4201	50.63.4201	0	P 61	not used	1p	Pin, 1reihtig, gerade	0	P 62	not used	1p	Pin, 1reihtig, gerade	0	R 38	57.60.1104	10M	MF, 1%, 0204, E24	0	R 39	57.60.1104	10M	MF, 1%, 0204, E24		
0	C 10	59.60.3337	100n	CER	50V, 10%, X7R, 0805	0	IC 8	50.63.4201	50.63.4201	0	P 63	54.11.0138	1 pce	2*3p	Pin 0.63*0.63, RM2.54	0	P 64	54.01.0020	0 pce	1p	Pin, 1reihtig, gerade	0	R 40	57.60.1104	100k	MF, 1%, 0204, E24	0	R 41	57.60.1104	100k	MF, 1%, 0204, E24
0	C 11	59.60.3337	100n	CER	50V, 10%, X7R, 0805	0	IC 9	50.63.4201	50.63.4201	0	P 65	54.01.0020	0 pce	1p	Pin, 1reihtig, gerade	0	P 66	54.01.0020	0 pce	1p	Pin, 1reihtig, gerade	0	R 42	57.60.1104	100k	MF, 1%, 0204, E24	0	R 43	57.60.1104	100k	MF, 1%, 0204, E24
0	C 12	59.60.3337	100n	CER	50V, 10%, X7R, 0805	0	IC 10	50.63.4201	50.63.4201	0	P 67	54.01.0020	0 pce	1p	Pin, 1reihtig, gerade	0	P 68	54.01.0020	0 pce	1p	Pin, 1reihtig, gerade	0	R 44	57.60.1104	100k	MF, 1%, 0204, E24	0	R 45	57.60.1104	100k	MF, 1%, 0204, E24
0	C 13	59.60.3337	100n	CER	50V, 10%, X7R, 0805	0	IC 11	50.62.1423	74HC423	Dual multiviv monost retrigg	0	P 69	not used	1p	Pin, 1reihtig, gerade	0	P 70	not used	1p	Pin, 1reihtig, gerade	0	R 46	57.60.1104	100k	MF, 1%, 0204, E24	0	R 47	57.60.1103	10k	MF, 1%, 0204, E24	
0	C 14	59.60.3337	100n	CER	50V, 10%, X7R, 0805	0	IC 12	50.62.1423	74HC423	Dual multiviv monost retrigg	0	P 71	not used	1p	Pin, 1reihtig, gerade	0	P 72	not used	1p	Pin, 1reihtig, gerade	0	R 48	57.60.1103	10k	MF, 1%, 0204, E24	0	R 49	57.60.1103	10k	MF, 1%, 0204, E24	
0	C 15	59.60.3337	100n	CER	50V, 10%, X7R, 0805	0	IC 13	50.62.1014	74HC 14	Hex Schmitt trigger inverter	0	P 73	not used	1p	Pin, 1reihtig, gerade	0	P 74	not used	1p	Pin, 1reihtig, gerade	0	R 50	57.60.1103	10k	MF, 1%, 0204, E24	0	R 51	57.60.1103	10k	MF, 1%, 0204, E24	
0	C 16	59.60.3337	100n	CER	50V, 10%, X7R, 0805	0	IC 14	50.62.1014	74HC 14	Hex Schmitt trigger inverter	0	P 75	not used	1p	Pin, 1reihtig, gerade	0	P 76	not used	1p	Pin, 1reihtig, gerade	0	R 52	57.60.1103	10k	MF, 1%, 0204, E24	0	R 53	57.60.1103	10k	MF, 1%, 0204, E24	
0	C 17	59.60.3337	100n	CER	50V, 10%, X7R, 0805	0	IC 15	50.62.0463	DS34C86	4*RS 422 Line Receiver	0	P 77	not used	1p	Pin, 1reihtig, gerade	0	P 78	not used	1p	Pin, 1reihtig, gerade	0	R 54	57.60.1103	10k	MF, 1%, 0204, E24	0	R 55	57.60.1103	10k	MF, 1%, 0204, E24	
0	C 18	59.60.3337	100n	CER	50V, 10%, X7R, 0805	0	IC 16	50.62.0463	DS34C86	4*RS 422 Line Receiver	0	P 79	not used	1p	Pin, 1reihtig, gerade	0	P 80	not used	1p	Pin, 1reihtig, gerade	0	R 56	57.60.1103	10k	MF, 1%, 0204, E24	0	R 57	57.60.1103	10k	MF, 1%, 0204, E24	
0	C 19	59.60.3337	100n	CER	50V, 10%, X7R, 0805	0	J 1	54.01.0021	5 pcs	Jumper	0.63*0.63mm, Au	0	Q 1	not used	VP0808L	P-VAMOS-FET 60V, 0.35A	0	Q 2	not used	VP0808L	P-VAMOS-FET 60V, 0.35A	0	R 58	57.60.1103	10k	MF, 1%, 0204, E24	0	R 59	57.60.1103	10k	MF, 1%, 0204, E24
0	C 20	59.60.3337	100n	CER	50V, 10%, X7R, 0805	0	L 1	62.02.3470	47uH	10%, radial RM 5	0	Q 3	not used	VP0808L	P-VAMOS-FET 60V, 0.35A	0	Q 4	not used	VP0808L	P-VAMOS-FET 60V, 0.35A	0	R 60	57.60.1103	10k	MF, 1%, 0204, E24	0	R 61	57.60.1103	10k	MF, 1%, 0204, E24	
0	C 21	59.60.3337	100n	CER	50V, 10%, X7R, 0805	0	L 2	62.02.3470	47uH	10%, radial RM 5	0	Q 5	not used	VP0808L	P-VAMOS-FET 60V, 0.35A	0	Q 6	not used	VP0808L	P-VAMOS-FET 60V, 0.35A	0	R 62	57.60.1103	10k	MF, 1%, 0204, E24	0	R 63	57.60.1103	10k	MF, 1%, 0204, E24	
0	C 22	not used	68n	CER	50V, 10%, X7R, 0805	0	L 3	62.02.3470	47uH	10%, radial RM 5	0	Q 7	not used	VP0808L	P-VAMOS-FET 60V, 0.35A	0	Q 8	not used	VP0808L	P-VAMOS-FET 60V, 0.35A	0	R 64	57.60.1103	10k	MF, 1%, 0204, E24	0	R 65	57.60.1103	10k	MF, 1%, 0204, E24	
0	C 23	not used	68n	CER	50V, 10%, X7R, 0805	0	L 4	62.02.3470	47uH	10%, radial RM 5	0	Q 9	not used	VP0808L	P-VAMOS-FET 60V, 0.35A	0	Q 10	not used	VP0808L	P-VAMOS-FET 60V, 0.35A	0	R 66	57.60.1103	10k	MF, 1%, 0204, E24	0	R 67	57.60.1103	10k	MF, 1%, 0204, E24	
0	C 24	not used	68n	CER	50V, 10%, X7R, 0805	0	MP 1	1.950.460.11	1 pce	OPTICAL PC INTERFACE PCB3	0	Q 11	not used	VP0808L	P-VAMOS-FET 60V, 0.35A	0	Q 12	not used	VP0808L	P-VAMOS-FET 60V, 0.35A	0	R 68	57.60.1103	10k	MF, 1%, 0204, E24	0	R 69	57.60.1101	100R	MF, 1%, 0204, E24	
0	C 25	not used	68n	CER	50V, 10%, X7R, 0805	0	MP 2	43.01.0108	1 pce	Label	ESE-WARNSCHILD	0	Q 13	not used	VP0808L	P-VAMOS-FET 60V, 0.35A	0	Q 14	not used	VP0808L	P-VAMOS-FET 60V, 0.35A	0	R 70	57.60.1101	100R	MF, 1%, 0204, E24	0	R 71	not used	100R	MF, 1%, 0204, E24
0	C 26	not used	68n	CER	50V, 10%, X7R, 0805	0	MP 3	1.950.460.04	1 pce	NR, ETIKETTE 5x20	0	Q 15	not used	VP0808L	P-VAMOS-FET 60V, 0.35A	0	Q 16	not used	VP0808L	P-VAMOS-FET 60V, 0.35A	0	R 72	57.60.1101	100R	MF, 1%, 0204, E24	0	R 73	57.60.1101	100R	MF, 1%, 0204, E24	
0	C 27	not used	68n	CER	50V, 10%, X7R, 0805	0	MP 4	24.16.1030	2 pcs	3.2/5.5	Rippenscheibe	0	Q 17	not used	VP0808L	P-VAMOS-FET 60V, 0.35A	0	Q 18	not used	VP0808L	P-VAMOS-FET 60V, 0.35A	0	R 74	57.60.1101	100R	MF, 1%, 0204, E24	0	R 75	57.60.1101	100R	MF, 1%, 0204, E24
0	C 28	not used	68n	CER	50V, 10%, X7R, 0805	0	MP 5	2.28.0352	2 pcs	M3*4	Z-Schraube KS Zn g chrom	0	Q 19	not used	VP0808L	P-VAMOS-FET 60V, 0.35A	0	Q 20	not used	VP0808L	P-VAMOS-FET 60V, 0.35A	0	R 76	57.60.1101	100R	MF, 1%, 0204, E24	0	R 77	57.60.1101	100R	MF, 1%, 0204, E24
0	C 29	not used	68n	CER	50V, 10%, X7R, 0805	0	MP 6	1.0.0.023.22	2 pcs	M 3 *2.5	NIETMLTTER SW 6	0	Q 21	not used	VP0808L	P-VAMOS-FET 60V, 0.35A	0	Q 22	not used	VP0808L	P-VAMOS-FET 60V, 0.35A	0	R 78	57.60.1101	100R	MF, 1%, 0204, E24	0	R 79	not used	100R	MF, 1%, 0204, E24
0	C 30	59.60.3321	4n7	CER	50V, 10%, X7R, 0805	0	MP 7	1.950.460.01	1 pce	KARTENHALTER	0	Q 23	not used	VP0808L	P-VAMOS-FET 60V, 0.35A	0	Q 24	not used	VP0808L	P-VAMOS-FET 60V, 0.35A	0	R 80	not used	100R	MF, 1%, 0204, E24	0	R 81	57.60.1101	100R	MF, 1%, 0204, E24	
0	C 31	59.60.3321	4n7	CER	50V, 10%, X7R, 0805	0	MP 8	2.1.48.0354	4 pcs	M3*6	Z-Schr Torx, lapitte, A2	0	Q 25	not used	VP0808L	P-VAMOS-FET 60V, 0.35A	0	Q 26	not used	VP0808L	P-VAMOS-FET 60V, 0.35A	0	R 82	57.60.1101	100R	MF, 1%, 0204, E24	0	R 83	57.60.1101	100R	MF, 1%, 0204, E24
0	C 32	59.60.3321	4n7	CER	50V, 10%, X7R, 0805	0	MP 9	1.950.460.02	1 pce	UNTERLEGE	0	Q 27	not used	VP0808L	P-VAMOS-FET 60V, 0.35A	0	Q 28	not used	VP0808L	P-VAMOS-FET 60V, 0.35A	0	R 84	57.60.1101	100R	MF, 1%, 0204, E24	0	R 85	57.60.1000	0R0	MF, 0204	
0	C 33	59.60.3319	5n3	CER	50V, 10%, X7R, 0805	0	MP 10	1.101.001.21	1 pce	TEXT-ETIK. 5*20	HARDWARE -21	0	Q 29	not used	VP0808L	P-VAMOS-FET 60V, 0.35A	0	Q 30	not used	VP0808L	P-VAMOS-FET 60V, 0.35A	0	R 86	57.60.1000	0R0	MF, 0204	0	R 87	57.60.1000	0R0	MF, 0204
0	C 34	59.60.3319	5n3	CER	50V, 10%, X7R, 0805	0	P 1	54.14.2055	50p	Stecker gerade Au	0	Q 31	not used	VP0808L	P-VAMOS-FET 60V, 0.35A	0	Q 32	not used	VP0808L	P-VAMOS-FET 60V, 0.35A	0	R 88	57.60.1000	0R0	MF, 0204	0	R 89	57.60.1103	10k	MF, 1%, 0204, E24	
0	C 35																														

SCHEMATA / CIRCUIT DIAGRAMS

Monitor Eurocards

Analog Source Selector 1.917.400.23

Monitor Group Selector 1.917.410.24

Insert Router Board 1.917.415.20

Talkback Selector 1.917.420.22

Talkback Sel Sideboard 1.917.421.81

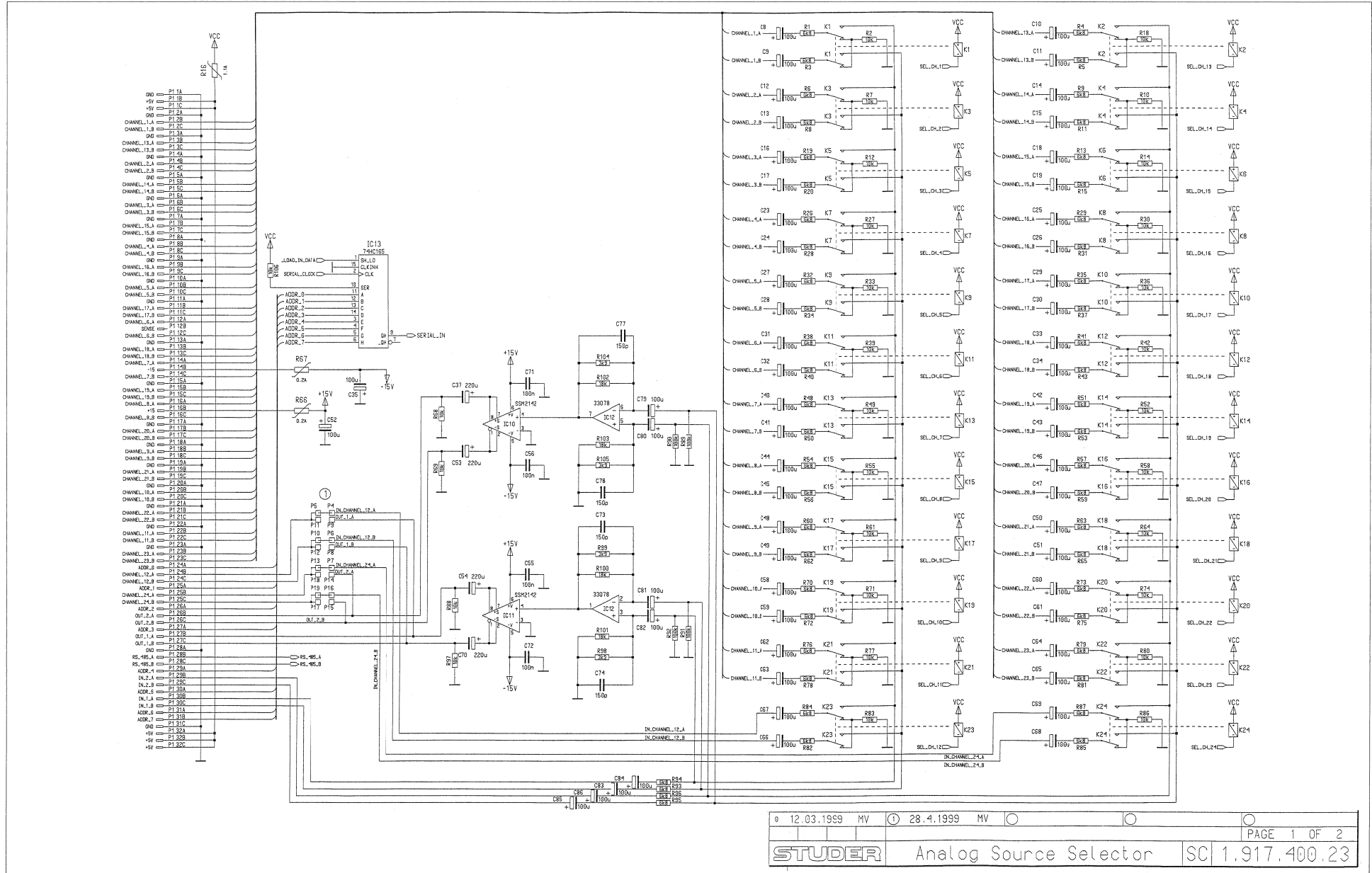
Signaling IN 24CH Board 1.917.425.20

Signaling OUT 16CH Board 1.917.426.22

Dual Headphone Amp. Board 1.917.430.23

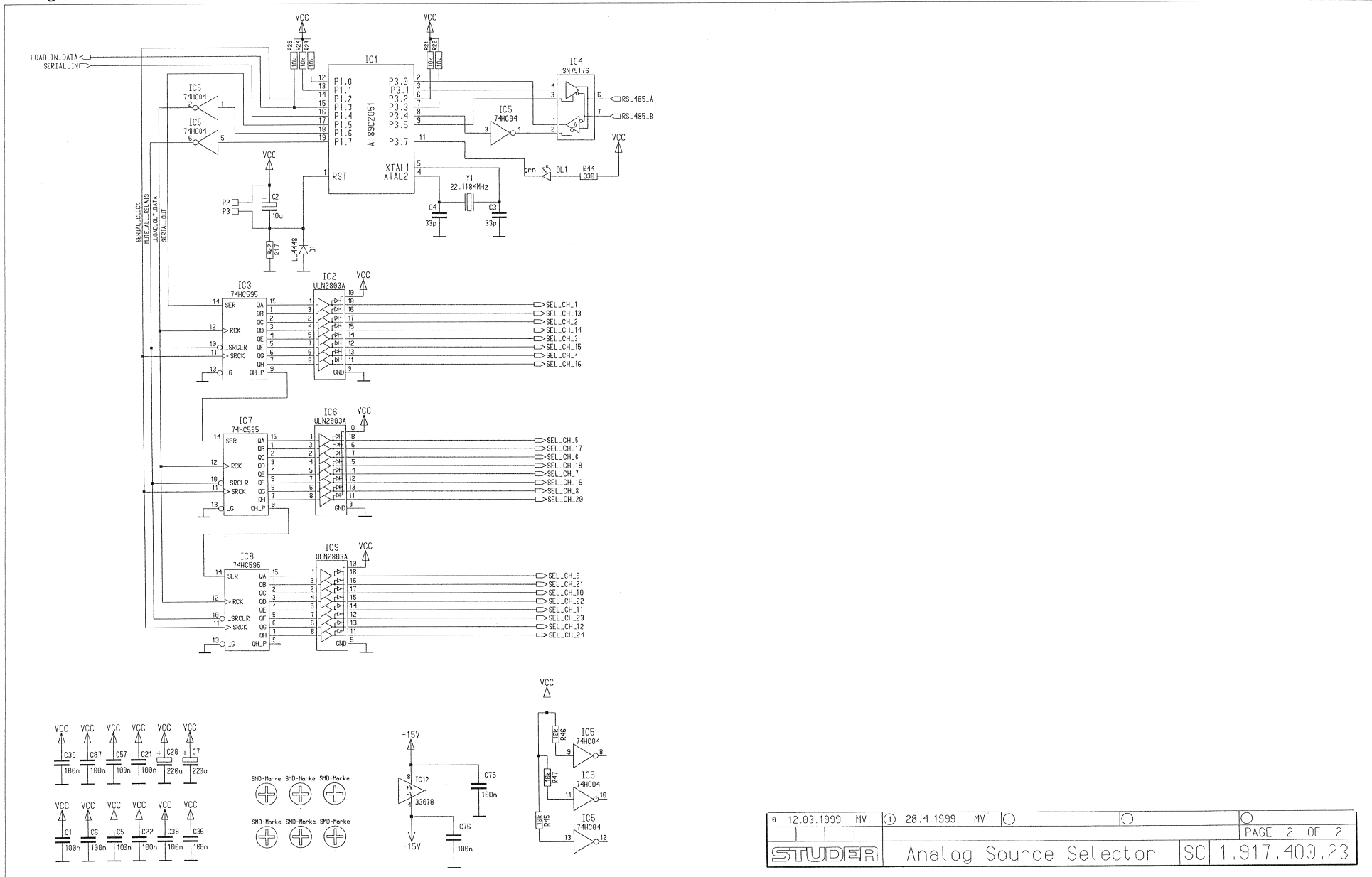


Analog Source Selector 1.917.400.23



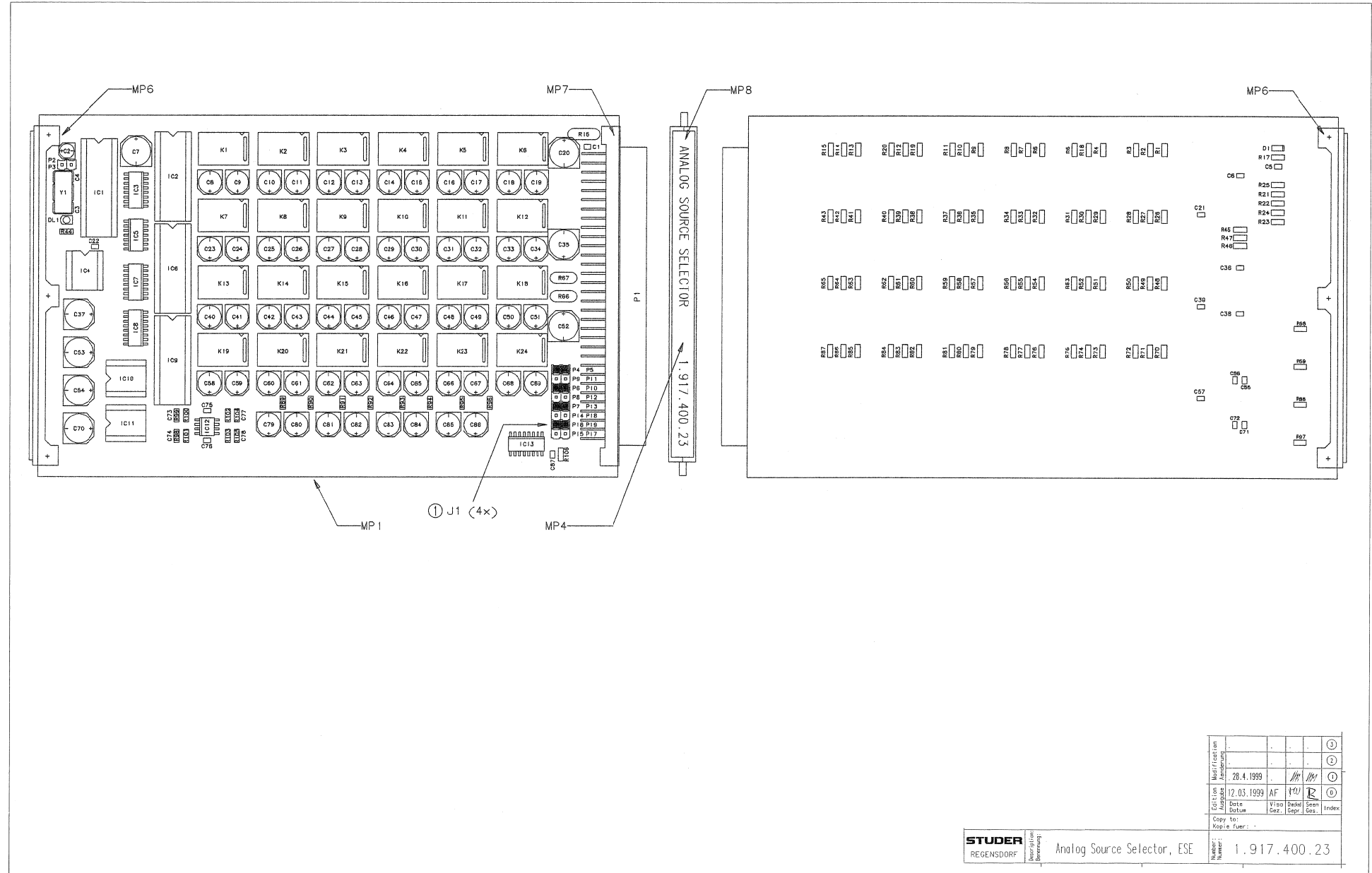


Analog Source Selector 1.917.400.23





Analog Source Selector 1.917.400.23

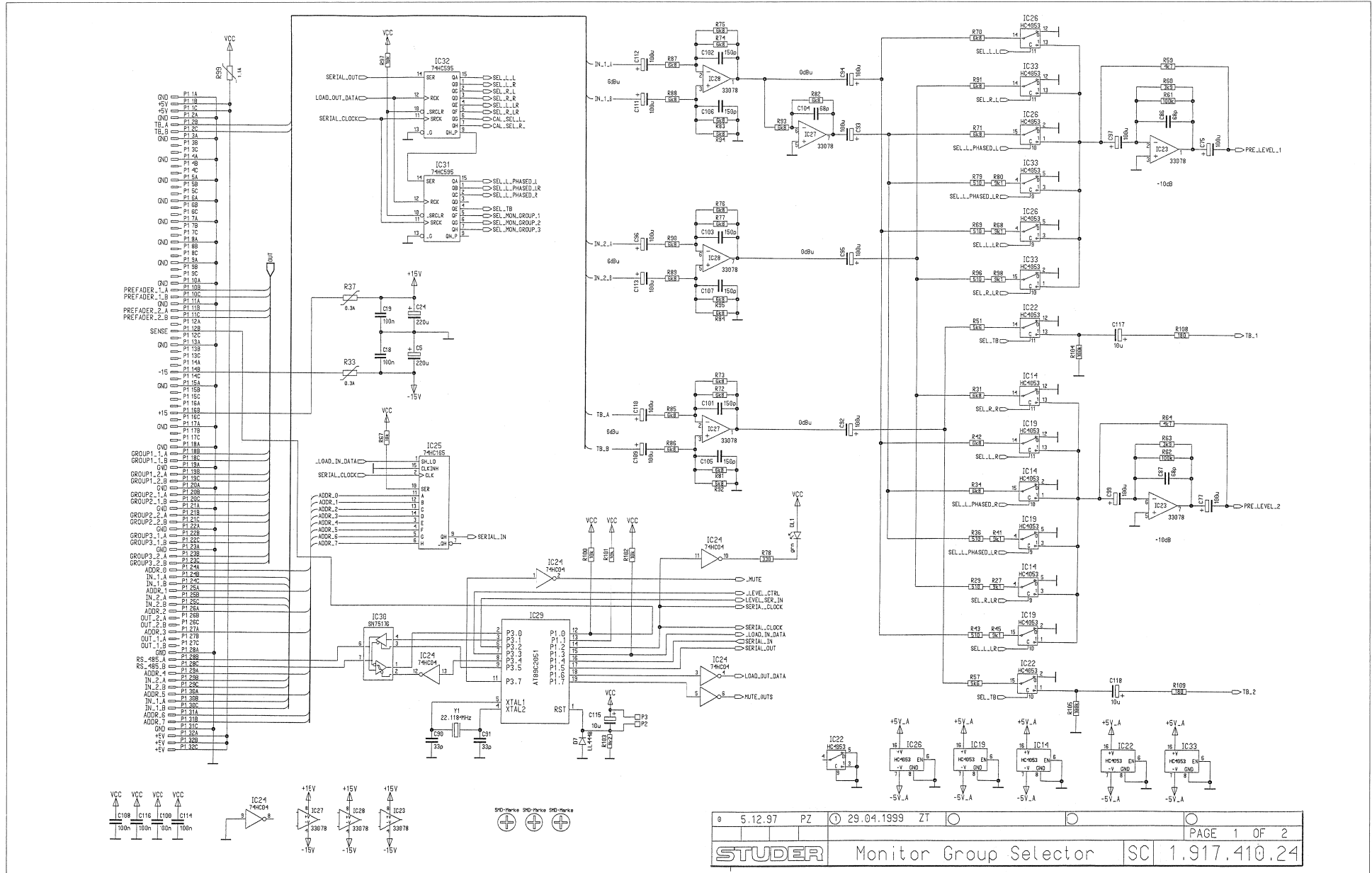




Analog Source Selector 1.917.400.23

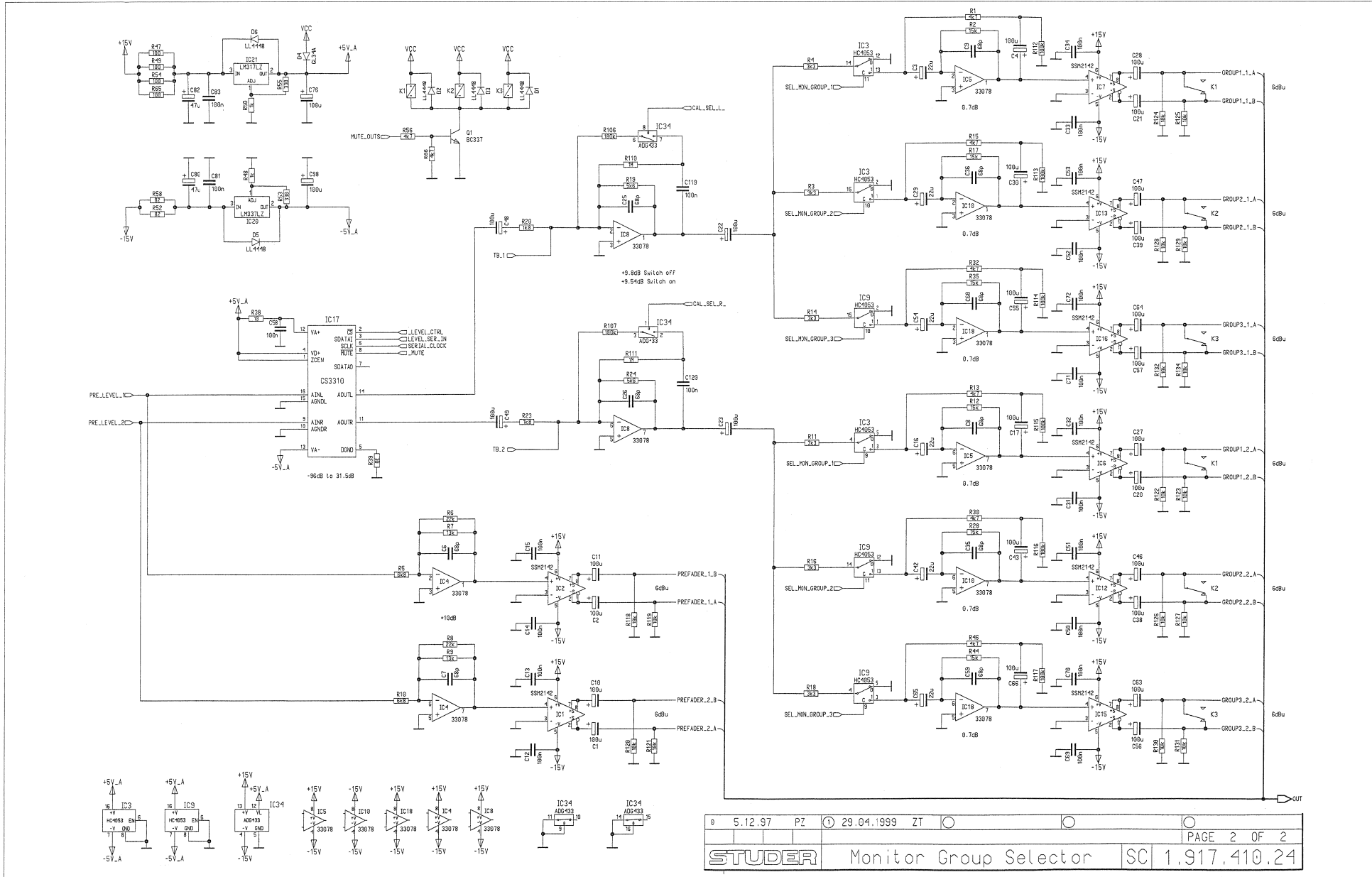
Idx	Pos.	Part No.	Qty.	Type/Val.	Description	Idx	Pos.	Part No.	Qty.	Type/Val.	Description	Idx	Pos.	Part No.	Qty.	Type/Val.	Description	Idx	Pos.	Part No.	Qty.	Type/Val.	Description	
0	C 1	59.80.3337	100n		CER 50V, 10%, X7R, 0805	0	D 1	50.80.8001	4448		200mA 75V Ans SOD 80	0	R 15	57.80.1682	9K8		MF, 1%, 0204, E24	0	R 103	57.80.1183	18k		MF, 1%, 0204, E24	
0	C 2	59.88.0095	10u		C-EL 18V, 4.0*5.7							0	R 16	57.80.1051	1.1k		POLY-PTC, 30V	0	R 104	57.80.1392	3K9		MF, 1%, 0204, E24	
0	C 3	59.80.2237	33p		CER 50V, 5%, COG, 0603	0	DL 1	50.04.2132	TLUG 2401		DL TLUG 2401 GIN MATT	0	R 17	57.80.1822	8K2		MF, 1%, 0204, E24	0	R 105	57.80.1892	3K9		MF, 1%, 0204, E24	
0	C 4	59.80.2237	33p		CER 50V, 5%, COG, 0603							0	R 18	57.80.1103	10K		MF, 1%, 0204, E24	0	R 106	57.80.1103	10K		MF, 1%, 0204, E24	
0	C 5	59.80.3337	100n		CER 50V, 10%, X7R, 0805	0	IC 1	1.950.910.22			SW 9174001 ATME11 (50.16.0313)	0	R 19	57.80.1882	6K8		MF, 1%, 0204, E24							
0	C 6	59.80.3337	100n		CER 50V, 10%, X7R, 0805	0	IC 2	50.15.0119	ULN2803		Octal peripheral Driver, o.c.	0	R 20	57.80.1682	6K8		MF, 1%, 0204, E24	0	XIC 1	53.03.0195	20p		DIL 0.3" lot, gerade	
0	C 7	59.88.0031	220u		C-EL 6V, 8.0*8.3	0	IC 3	50.82.1595	74HC595		8bit shift/output register	0	R 21	57.80.1103	10K		MF, 1%, 0204, E24							
0	C 8	59.88.0039	100u		C-EL 6V, 8.3*5.7	0	IC 4	50.15.0115	75179		IC SN 75179 BP, DCS 3695 N, Hex inverter	0	R 22	57.80.1103	10K		MF, 1%, 0204, E24	0	Y 1	89.60.1004	22.1184MHz		SMD Quartz	
0	C 9	59.88.0039	100u		C-EL 6V, 8.3*5.7	0	IC 5	50.82.1004	74HC 04		Hex inverter	0	R 23	57.80.1103	10K		MF, 1%, 0204, E24							
0	C 10	59.88.0039	100u		C-EL 6V, 8.3*5.7	0	IC 6	50.15.0119	ULN2803		Octal peripheral Driver, o.c.	0	R 24	57.80.1103	10K		MF, 1%, 0204, E24							
0	C 11	59.88.0039	100u		C-EL 6V, 8.3*5.7	0	IC 7	50.82.1595	74HC595		8bit shift/output register	0	R 25	57.80.1103	10K		MF, 1%, 0204, E24							
0	C 12	59.88.0039	100u		C-EL 6V, 8.3*5.7	0	IC 8	50.82.1595	74HC595		8bit shift/output register	0	R 26	57.80.1682	6K8		MF, 1%, 0204, E24							
0	C 13	59.88.0039	100u		C-EL 6V, 8.3*5.7	0	IC 9	50.15.0119	ULN2803		Octal peripheral Driver, o.c.	0	R 27	57.80.1103	10K		MF, 1%, 0204, E24							
0	C 14	59.88.0039	100u		C-EL 6V, 8.3*5.7	0	IC 10	50.09.0124	2142		IC SSM 2142 P	0	R 28	57.80.1682	6K8		MF, 1%, 0204, E24							
0	C 15	59.88.0039	100u		C-EL 6V, 8.3*5.7	0	IC 11	50.09.0124	2142		IC SSM 2142 P	0	R 29	57.80.1682	6K8		MF, 1%, 0204, E24							
0	C 16	59.88.0039	100u		C-EL 6V, 8.3*5.7	0	IC 12	50.81.0204	NCS3078		Dual Op-Amp low noise	0	R 30	57.80.1103	10K		MF, 1%, 0204, E24							
0	C 17	59.88.0039	100u		C-EL 6V, 8.3*5.7	0	IC 13	50.82.1165	74HC165		8bit shift register	0	R 31	57.80.1682	6K8		MF, 1%, 0204, E24							
0	C 18	59.88.0039	100u		C-EL 6V, 8.3*5.7							0	R 32	57.80.1682	6K8		MF, 1%, 0204, E24							
0	C 19	59.88.0039	100u		C-EL 6V, 8.3*5.7	0	J 1	54.01.0021	4 pcs		Jumper 0.63 * 0.65mm	0	R 33	57.80.1103	10K		MF, 1%, 0204, E24							
0	C 20	59.88.0031	220u		C-EL 6V, 8.0*8.3							0	R 34	57.80.1682	6K8		MF, 1%, 0204, E24							
0	C 21	59.80.3337	100n		CER 50V, 10%, X7R, 0805	0	K 1	56.04.0198	2u		5V 125V 2A Ag/Au	0	R 35	57.80.1682	6K8		MF, 1%, 0204, E24							
0	C 22	59.80.3337	100n		CER 50V, 10%, X7R, 0805	0	K 2	56.04.0198	2u		5V 125V 2A Ag/Au	0	R 36	57.80.1103	10K		MF, 1%, 0204, E24							
0	C 23	59.88.0039	100u		C-EL 6V, 8.3*5.7	0	K 3	56.04.0198	2u		5V 125V 2A Ag/Au	0	R 37	57.80.1682	6K8		MF, 1%, 0204, E24							
0	C 24	59.88.0039	100u		C-EL 6V, 8.3*5.7	0	K 4	56.04.0198	2u		5V 125V 2A Ag/Au	0	R 38	57.80.1682	6K8		MF, 1%, 0204, E24							
0	C 25	59.88.0039	100u		C-EL 6V, 8.3*5.7	0	K 5	56.04.0198	2u		5V 125V 2A Ag/Au	0	R 39	57.80.1103	10K		MF, 1%, 0204, E24							
0	C 26	59.88.0039	100u		C-EL 6V, 8.3*5.7	0	K 6	56.04.0198	2u		5V 125V 2A Ag/Au	0	R 40	57.80.1682	6K8		MF, 1%, 0204, E24							
0	C 27	59.88.0039	100u		C-EL 6V, 8.3*5.7	0	K 7	56.04.0198	2u		5V 125V 2A Ag/Au	0	R 41	57.80.1682	6K8		MF, 1%, 0204, E24							
0	C 28	59.88.0039	100u		C-EL 6V, 8.3*5.7	0	K 8	56.04.0198	2u		5V 125V 2A Ag/Au	0	R 42	57.80.1103	10K		MF, 1%, 0204, E24							
0	C 29	59.88.0039	100u		C-EL 6V, 8.3*5.7	0	K 9	56.04.0198	2u		5V 125V 2A Ag/Au	0	R 43	57.80.1682	6K8		MF, 1%, 0204, E24							
0	C 30	59.88.0039	100u		C-EL 6V, 8.3*5.7	0	K 10	56.04.0198	2u		5V 125V 2A Ag/Au	0	R 44	57.80.1331	33K9		MF, 1%, 0204, E24							
0	C 31	59.88.0039	100u		C-EL 6V, 8.3*5.7	0	K 11	56.04.0198	2u		5V 125V 2A Ag/Au	0	R 45	57.80.1103	10K		MF, 1%, 0204, E24							
0	C 32	59.88.0039	100u		C-EL 6V, 8.3*5.7	0	K 12	56.04.0198	2u		5V 125V 2A Ag/Au	0	R 46	57.80.1103	10K		MF, 1%, 0204, E24							
0	C 33	59.88.0039	100u		C-EL 6V, 8.3*5.7	0	K 13	56.04.0198	2u		5V 125V 2A Ag/Au	0	R 47	57.80.1103	10K		MF, 1%, 0204, E24							
0	C 34	59.88.0039	100u		C-EL 6V, 8.3*5.7	0	K 14	56.04.0198	2u		5V 125V 2A Ag/Au	0	R 48	57.80.1682	6K8		MF, 1%, 0204, E24							
0	C 35	59.88.0115	100u		C-EL 35V, 8.0*10.7	0	K 15	56.04.0198	2u		5V 125V 2A Ag/Au	0	R 49	57.80.1103	10K		MF, 1%, 0204, E24							
0	C 36	59.80.3337	100n		CER 50V, 10%, X7R, 0805	0	K 16	56.04.0198	2u		5V 125V 2A Ag/Au	0	R 50	57.80.1682	6K8		MF, 1%, 0204, E24							
0	C 37	59.88.0073	220u		C-EL 16V, 8.0*10.7	0	K 17	56.04.0198	2u		5V 125V 2A Ag/Au	0	R 51	57.80.1682	6K8		MF, 1%, 0204, E24							
0	C 38	59.80.3337	100n		CER 50V, 10%, X7R, 0805	0	K 18	56.04.0198	2u		5V 125V 2A Ag/Au	0	R 52	57.80.1103	10K		MF, 1%, 0204, E24							
0	C 39	59.80.3337	100n		CER 50V, 10%, X7R, 0805	0	K 19	56.04.0198	2u		5V 125V 2A Ag/Au	0	R 53	57.80.1682	6K8		MF, 1%, 0204, E24							
0	C 40	59.88.0039	100u		C-EL 6V, 8.3*5.7	0	K 20	56.04.0198	2u		5V 125V 2A Ag/Au	0	R 54	57.80.1682	6K8		MF, 1%, 0204, E24							
0	C 41	59.88.0039	100u		C-EL 6V, 8.3*5.7	0	K 21	56.04.0198	2u		5V 125V 2A Ag/Au	0	R 55	57.80.1103	10K		MF, 1%, 0204, E24							
0	C 42	59.88.0039	100u		C-EL 6V, 8.3*5.7	0	K 22	56.04.0198	2u		5V 125V 2A Ag/Au	0	R 56	57.80.1682	6K8		MF, 1%, 0204, E24							
0	C 43	59.88.0039	100u		C-EL 6V, 8.3*5.7	0	K 23	56.04.0198	2u		5V 125V 2A Ag/Au	0	R 57	57.80.1682	6K8		MF, 1%, 0204, E24							
0	C 44	59.88.0039	100u		C-EL 6V, 8.3*5.7	0	K 24	56.04.0198	2u		5V 125V 2A Ag/Au	0	R 58	57.80.1103	10K		MF, 1%, 0204, E24							
0	C 45	59.88.0039	100u		C-EL 6V, 8.3*5.7							0	R 59	57.80.1682	6K8		MF, 1%, 0204, E24							
0	C 46	59.88.0039	100u		C-EL 6V, 8.3*5.7	0	MP 1	1.917.400.13	1 pcs		ANALOG SOURCE SELECTOR PCB	0	R 60	57.80.1682	6K8		MF, 1%, 0204, E24							
0	C 47	59.88.0039	100u		C-EL 6V, 8.3*5.7	0	MP 2	1.101.001.20	1 pcs		TEXT-ETIK 5*20 HARDWARE -23	0	R 61	57.80.1103	10K		MF, 1%, 0204, E24							
0	C 48	59.88.0039	100u		C-EL 6V, 8.3*5.7	0	MP 3	43.01.0108	1 pcs		Label ESF-WARNSCHILD	0	R 62	57.80.1682	6K8		MF, 1%, 0204, E24							
0	C 49	59.88.0039	100u		C-EL 6V, 8.3*5.7	0	MP 4	1.010.086.49	1 pcs		Label KLARSICHTSCHILD	0	R 63	57.80.1682	6K8		MF, 1%, 0204, E24							
0	C 50	59.88.0039	100u		C-EL 6V, 8.3*5.7	0	MP 5	1.010.003.33	2 pcs		Handle GRIFFHAELFTE	0	R 64	57.80.1103	10K		MF, 1%, 0204, E24							
0																								

Monitor Group Selector 1.917.410.24





Monitor Group Selector 1.917.410.24



MONITOR GROUP SELECTOR 1.917.410.24 (03)

Idx. Pos.	Part No.	Qty.	Type/Val.	Description	Idx. Pos.	Part No.	Qty.	Type/Val.	Description
0 C 1	59.68.0029	100u	EL	6V, 6.3*5.7	0 C 120	59.60.3337	100n	CER 50V, 10%, X7R, 0805	
0 C 2	59.68.0029	100u	EL	6V, 6.3*5.7	0 D 1	50.60.8001	4448	200mA 75V 4ns SOD 80	
1 C 3	59.68.0025	22u	EL	6V, 4.0*5.7	0 D 2	50.60.8001	4448	200mA 75V 4ns SOD 80	
0 C 4	59.68.0029	100u	EL	6V, 6.3*5.7	0 D 3	50.60.8001	4448	200mA 75V 4ns SOD 80	
0 C 5	59.68.0073	220u	EL	16V, 8.0*10.7	2 D 4		not used	GL34A	500mA 50V DO 213
0 C 6	59.60.2245	68p	CER	50V, 5%, COG, 0603	0 D 5	50.60.8001	4448	200mA 75V 4ns SOD 80	
0 C 7	60.60.2216	68p	CER	50V, 5%, COG, 0603	0 D 6	50.60.8001	4448	200mA 75V 4ns SOD 80	
0 C 8	59.60.2245	68p	CER	50V, 5%, COG, 0603	0 D 7	50.60.8001	4448	200mA 75V 4ns SOD 80	
0 C 9	59.60.2245	68p	CER	50V, 5%, COG, 0603	0 DL 1	50.04.2132	TLUG 2401	DL TLUG 2401	GN MATT
0 C 10	59.68.0029	100u	EL	6V, 6.3*5.7	0 IC 1	50.09.0124	2142	Audio balanced line driver	
0 C 11	59.68.0029	100u	EL	6V, 6.3*5.7	0 IC 2	50.09.0124	2142	Audio balanced line driver	
0 C 12	59.60.3337	100n	CER	50V, 10%, X7R, 0805	0 IC 3	50.62.8053	HC4053	Tripple 2ch analog mux/demux	
0 C 13	59.60.3337	100n	CER	50V, 10%, X7R, 0805	0 IC 4	50.61.0204	MC33078	Dual Op-Amp low noise	
0 C 14	59.60.3337	100n	CER	50V, 10%, X7R, 0805	0 IC 5	50.61.0204	MC33078	Dual Op-Amp low noise	
0 C 15	59.60.3337	100n	CER	50V, 10%, X7R, 0805	0 IC 6	50.09.0124	2142	Audio balanced line driver	
1 C 16	59.68.0025	22u	EL	6V, 4.0*5.7	0 IC 7	50.09.0124	2142	Audio balanced line driver	
0 C 17	59.68.0029	100u	EL	6V, 6.3*5.7	0 IC 8	50.61.0204	MC33078	Dual Op-Amp low noise	
0 C 18	59.60.3337	100n	CER	50V, 10%, X7R, 0805	0 IC 9	50.62.8053	HC4053	Tripple 2ch analog mux/demux	
0 C 19	59.60.3337	100n	CER	50V, 10%, X7R, 0805	0 IC 10	50.61.0204	MC33078	Dual Op-Amp low noise	
0 C 20	59.68.0029	100u	EL	6V, 6.3*5.7	0 IC 12	50.09.0124	2142	Audio balanced line driver	
0 C 21	59.68.0029	100u	EL	6V, 6.3*5.7	0 IC 13	50.09.0124	2142	Audio balanced line driver	
0 C 22	59.68.0029	100u	EL	6V, 6.3*5.7	0 IC 14	50.62.8053	HC4053	Tripple 2ch analog mux/demux	
0 C 23	59.68.0029	100u	EL	6V, 6.3*5.7	0 IC 15	50.09.0124	2142	Audio balanced line driver	
0 C 24	59.68.0073	220u	EL	16V, 8.0*10.7	0 IC 16	50.09.0124	2142	Audio balanced line driver	
0 C 25	59.60.2245	68p	CER	50V, 5%, COG, 0603	0 IC 17	50.61.8301	CS3310	Dig volume control ste SO16	
0 C 26	59.60.2245	68p	CER	50V, 5%, COG, 0603	0 IC 18	50.61.0204	MC33078	Dual Op-Amp low noise	
0 C 27	59.68.0029	100u	EL	6V, 6.3*5.7	0 IC 19	50.62.8053	HC4053	Tripple 2ch analog mux/demux	
0 C 28	59.68.0029	100u	EL	6V, 6.3*5.7	0 IC 20	50.10.0109	LM337L	Series regulator 100mA...+37V	
1 C 29	59.68.0025	22u	EL	6V, 4.0*5.7	0 IC 21	50.10.0108	LM317L	Series regulator 100mA...+37V	
0 C 30	59.68.0029	100u	EL	6V, 6.3*5.7	0 IC 22	50.62.8053	HC4053	Tripple 2ch analog mux/demux	
0 C 31	59.60.3337	100n	CER	50V, 10%, X7R, 0805	0 IC 23	50.61.0204	MC33078	Dual Op-Amp low noise	
0 C 32	59.60.3337	100n	CER	50V, 10%, X7R, 0805	0 IC 24	50.62.1004	74HC 04	Hex inverter	
0 C 33	59.60.3337	100n	CER	50V, 10%, X7R, 0805	0 IC 25	50.62.1165	74HC165	8bit shift register	
0 C 34	59.60.3337	100n	CER	50V, 10%, X7R, 0805	0 IC 26	50.62.8053	HC4053	Tripple 2ch analog mux/demux	
0 C 35	59.60.2245	68p	CER	50V, 5%, COG, 0603	0 IC 27	50.61.0204	MC33078	Dual Op-Amp low noise	
0 C 36	59.60.2245	68p	CER	50V, 5%, COG, 0603	0 IC 28	50.61.0204	MC33078	Dual Op-Amp low noise	
0 C 38	59.68.0029	100u	EL	6V, 6.3*5.7	3 IC 29	1.950.911.22		SW 917410 ATMEL2 (50.16.0313)	
0 C 39	59.68.0029	100u	EL	6V, 6.3*5.7	0 IC 30	50.15.0115	75176	IC SN 75176 BP, DS 3695 N,	
1 C 42	59.68.0025	22u	EL	6V, 4.0*5.7	0 IC 31	50.62.1595	74HC595	8bit shift/output register	
0 C 43	59.68.0029	100u	EL	6V, 6.3*5.7	0 IC 32	50.62.1595	74HC595	8bit shift/output register	
0 C 46	59.68.0029	100u	EL	6V, 6.3*5.7	0 IC 33	50.62.8053	HC4053	Tripple 2ch analog mux/demux	
0 C 47	59.68.0029	100u	EL	6V, 6.3*5.7	0 IC 34	50.61.8202	ADG433	Quad SPST SO 16	
0 C 48	59.68.0029	100u	EL	6V, 6.3*5.7	0 K 1	56.04.0198	2*u	5V 125V 2A Ag/Au	
0 C 49	59.68.0029	100u	EL	6V, 6.3*5.7	0 K 2	56.04.0198	2*u	5V 125V 2A Ag/Au	
0 C 50	59.60.3337	100n	CER	50V, 10%, X7R, 0805	0 K 3	56.04.0198	2*u	5V 125V 2A Ag/Au	
0 C 51	59.60.3337	100n	CER	50V, 10%, X7R, 0805	0 MP 1	1.917.410.13	1 pce	MONITOR GROUP SELECTOR PCB	
0 C 52	59.60.3337	100n	CER	50V, 10%, X7R, 0805	0 MP 2	43.01.0108	1 pce	ESE-WARNschild	
0 C 53	59.60.3337	100n	CER	50V, 10%, X7R, 0805	0 MP 3	1.917.400.01	1 pce	BEZ. STREIFEN 6.3x91	
1 C 54	59.68.0025	22u	EL	6V, 4.0*5.7	0 MP 4	1.010.096.49	1 pce	KLARSICHTSCHILD	
0 C 55	59.68.0029	100u	EL	6V, 6.3*5.7	0 MP 5	1.010.006.33	2 pcs	GRIFFHAELFTE	
0 C 56	59.68.0029	100u	EL	6V, 6.3*5.7	0 MP 6	28.21.1380	3 pcs	2.2*6.5	
0 C 57	59.68.0029	100u	EL	6V, 6.3*5.7	0 MP 7	28.99.0119	2 pcs	Rohrniete Ms blank	
0 C 58	59.60.3337	100n	CER	50V, 10%, X7R, 0805	0 MP 8	1.101.001.24	1 pce	ROHRNIETE D 2.5*0.15* 9	
0 C 59	59.60.2245	68p	CER	50V, 5%, COG, 0603	2 MP 9	43.10.0111		TEXT-ETIK. 5*20 HARDWARE -24	
0 C 60	59.60.2245	68p	CER	50V, 5%, COG, 0603				Revisions-Etikette 5mm h/blau	
0 C 63	59.68.0029	100u	EL	6V, 6.3*5.7	0 P 1	54.11.2009	96p	EU-R 3*32p	
0 C 64	59.68.0029	100u	EL	6V, 6.3*5.7	0 P 2		not used	Pin, treihig, gerade	
1 C 65	59.68.0025	22u	EL	6V, 4.0*5.7	0 P 3		not used	Pin, treihig, gerade	
0 C 66	59.68.0029	100u	EL	6V, 6.3*5.7	0 Q 1	50.03.0340	BC337-25	800mA, 45V, NPN	
0 C 69	59.60.3337	100n	CER	50V, 10%, X7R, 0805	1 R 1	57.60.1472	4k7	MF, 1%, 0204, E24	
0 C 70	59.60.3337	100n	CER	50V, 10%, X7R, 0805	1 R 2	57.60.1153	15k	MF, 1%, 0204, E24	
0 C 71	59.60.3337	100n	CER	50V, 10%, X7R, 0805	0 R 3	57.60.1332	3k3	MF, 1%, 0204, E24	
0 C 72	59.60.3337	100n	CER	50V, 10%, X7R, 0805	0 R 4	57.60.1332	3k3	MF, 1%, 0204, E24	
0 C 75	59.68.0029	100u	EL	6V, 6.3*5.7	0 R 5	57.60.1682	6k8	MF, 1%, 0204, E24	
0 C 76	59.68.0029	100u	EL	6V, 6.3*5.7	0 R 6	57.60.1223	22k	MF, 1%, 0204, E24	
0 C 77	59.68.0029	100u	EL	6V, 6.3*5.7	0 R 7		not used	13k	MF, 1%, 0204, E24
0 C 80	59.68.0069	47u	EL	16V, 6.3*5.7	0 R 8	57.60.1223	22k	MF, 1%, 0204, E24	
0 C 81	59.60.3337	100n	CER	50V, 10%, X7R, 0805	0 R 9		not used	13k	MF, 1%, 0204, E24
0 C 82	59.68.0069	47u	EL	16V, 6.3*5.7	0 R 10	57.60.1682	6k8	MF, 1%, 0204, E24	
0 C 83	59.60.3337	100n	CER	50V, 10%, X7R, 0805	0 R 11	57.60.1332	3k3	MF, 1%, 0204, E24	
0 C 86	59.60.2245	68p	CER	50V, 5%, COG, 0603	1 R 12	57.60.1153	15k	MF, 1%, 0204, E24	
0 C 87	59.60.2245	68p	CER	50V, 5%, COG, 0603	1 R 13	57.60.1472	4k7	MF, 1%, 0204, E24	
0 C 90	59.60.2237	33p	CER	50V, 5%, COG, 0603	0 R 14	57.60.1332	3k3	MF, 1%, 0204, E24	
0 C 91	59.60.2237	33p	CER	50V, 5%, COG, 0603	1 R 15	57.60.1472	4k7	MF, 1%, 0204, E24	
0 C 92	59.68.0029	100u	EL	6V, 6.3*5.7	0 R 16	57.60.1332	3k3	MF, 1%, 0204, E24	
0 C 93	59.68.0029	100u	EL	6V, 6.3*5.7	1 R 17	57.60.1153	15k	MF, 1%, 0204, E24	
0 C 94	59.68.0029	100u	EL	6V, 6.3*5.7	0 R 18	57.60.1332	3k3	MF, 1%, 0204, E24	
0 C 95	59.68.0029	100u	EL	6V, 6.3*5.7	1 R 19	57.60.1562	5k6	MF, 1%, 0204, E24	
0 C 96	59.68.0029	100u	EL	6V, 6.3*5.7	0 R 20	57.60.1182	1k8	MF, 1%, 0204, E24	
0 C 97	59.68.0029	100u	EL	6V, 6.3*5.7	0 R 23	57.60.1182	1k8	MF, 1%, 0204, E24	
0 C 98	59.68.0029	100u	EL	6V, 6.3*5.7	1 R 24	57.60.1562	5k6	MF, 1%, 0204, E24	
0 C 99	59.68.0029	100u	EL	6V, 6.3*5.7	0 R 27	57.60.1912	9k1	MF, 1%, 0204, E24	
0 C 100	59.60.3337	100n	CER	50V, 10%, X7R, 0805	1 R 28	57.60.1153	15k	MF, 1%, 0204, E24	
0 C 101	59.60.2253	150p	CER	50V, 5%, COG, 0603	0 R 29	57.60.1511	510R	MF, 1%, 0204, E24	
0 C 102	59.60.2253	150p	CER	50V, 5%, COG, 0603	1 R 30	57.60.1472	4k7	MF, 1%, 0204, E24	
0 C 103	59.60.2253	150p	CER	50V, 5%, COG, 0603	0 R 31	57.60.1682	6k8	MF, 1%, 0204, E24	
0 C 104	59.60.2245	68p	CER	50V, 5%, COG, 0603	1 R 32	57.60.1472	4k7	MF, 1%, 0204, E24	
0 C 105	59.60.2253	150p	CER	50V, 5%, COG, 0603	0 R 33	57.92.7012	0.3A	PTC 60V	
0 C 106	59.60.2253	150p	CER	50V, 5%, COG, 0603	0 R 34	57.60.1682	6k8	MF, 1%, 0204, E24	
0 C 107	59.60.2253	150p	CER	50V, 5%, COG, 0603	1 R 35	57.60.1153	15k	MF, 1%, 0204, E24	
0 C 108	59.60.3337	100n	CER	50V, 10%, X7R, 0805	0 R 36	57.60.1511	510R	MF, 1%, 0204, E24	
0 C 109	59.68.0029	100u	EL	6V, 6.3*5.7	0 R 37	57.92.7012	0.3A	PTC 60V	
0 C 110	59.68.0029	100u	EL	6V, 6.3*5.7	0 R 38	57.60.1100	10R	MF, 1%, 0204, E24	
0 C 111	59.68.0029	100u	EL	6V, 6.3*5.7	0 R 39	57.60.1000	0R0	MF, 0204	
0 C 112	59.68.0029	100u	EL	6V, 6.3*5.7	0 R 41	57.60.1912	9k1	MF, 1%, 0204, E24	
0 C 113	59.68.0029	100u	EL	6V, 6.3*5.7	0 R 42	57.60.1682	6k8	MF, 1%, 0204, E24	
0 C 114	59.60.3337	100n	CER	50V, 10%, X7R, 0805	0 R 43	57.60.1511	510R	MF, 1%, 0204, E24	
0 C 115	59.68.0065	10u	EL	16V, 4.0*5.7	1 R 44	57.60.1153	15k	MF, 1%, 0204, E24	
0 C 116	59.60.3337	100n	CER	50V, 10%, X7R, 0805	0 R 45	57.60.1912	9k1	MF, 1%, 0204, E24	
0 C 117	59.68.0065	10u	EL	16V, 4.0*5.7	1 R 46	57.60.1472	4k7	MF, 1%, 0204, E24	
0 C 118	59.68.0065	10u	EL	16V, 4.0*5.7	0 R 47	57.60.1101	100R	MF, 1%, 0204, E24	
0 C 119	59.60.3337	100n	CER	50V, 10%, X7R, 0805	0 R 48	57.60.1102	1k0	MF, 1%, 0204, E24	
					0 R 49	57.60.1101	100R	MF, 1%, 0204, E24	
					0 R 50	57.60.1102	1k0	MF, 1%, 0204, E24	

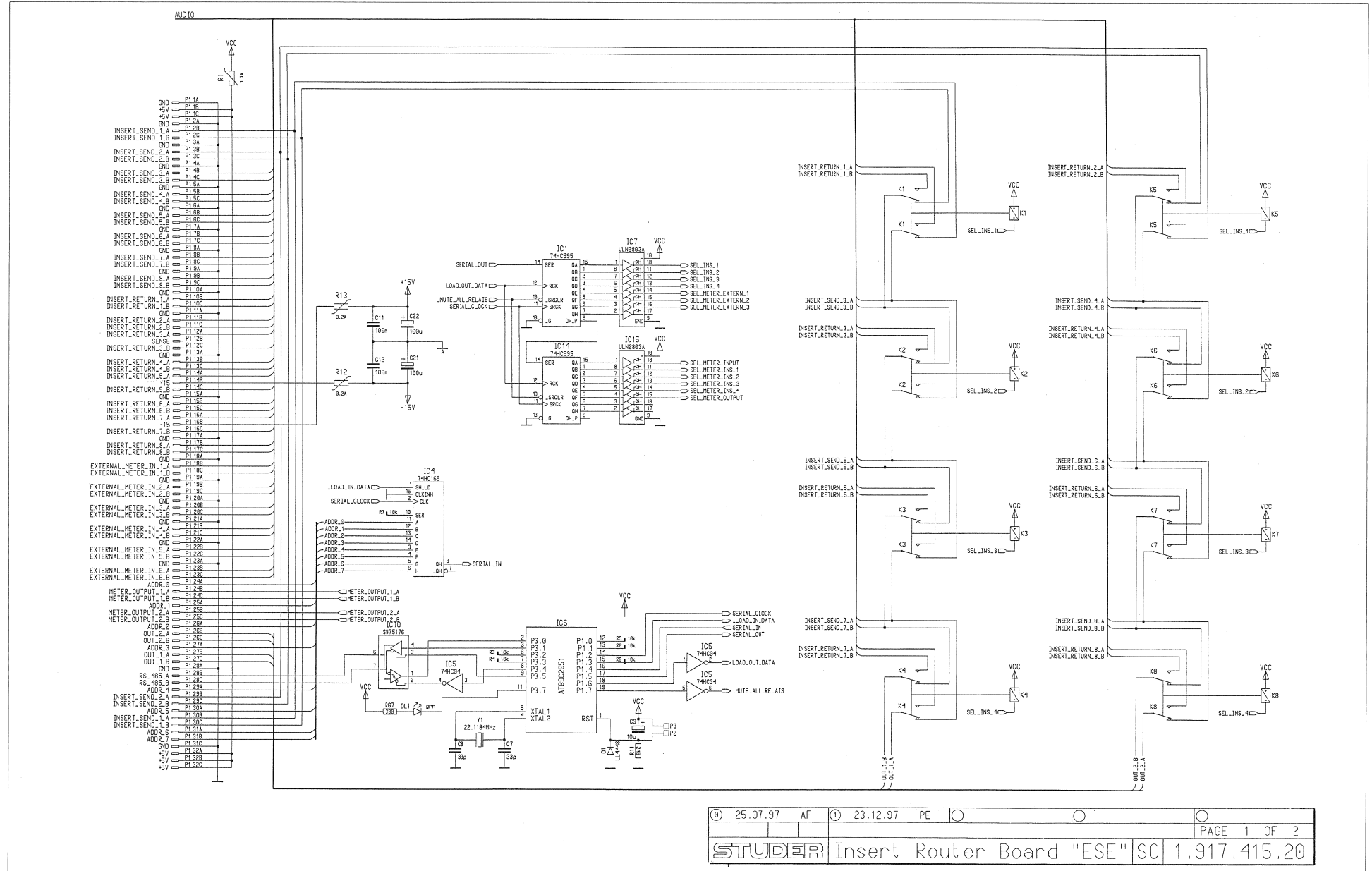
MONITOR GROUP SELECTOR 1.917.410.24 (03)

Idx. Pos.	Part No.	Qty.	Type/Val.	Description	Idx. Pos.	Part No.	Qty.	Type/Val.	Description
0	R 51	57.60.1562	5k6	MF, 1%, 0204, E24	Comments: (01) R110,R111 has changed to 1M R19,R24 has changed to 5k6 R1,R13,R15,R30,R32,R46 has changed to 4k7 R2,R12,R17,R28,R35,R44 has changed to 15k C3,C16,C29,C42,C54,C65 has changed to 22uF (02) D4 not used MIP9 Revision label "A"->"B" (03) IC29 faulty part no. 1.950.911.23->1.950.911.22				
0	R 52	57.60.1820	82R	MF, 1%, 0204, E24					
0	R 53	57.60.1331	330R	MF, 1%, 0204, E24					
0	R 54	57.60.1101	100R	MF, 1%, 0204, E24					
0	R 55	57.60.1331	330R	MF, 1%, 0204, E24					
0	R 56	57.60.1472	4k7	MF, 1%, 0204, E24					
0	R 57	57.60.1562	5k6	MF, 1%, 0204, E24					
0	R 58	57.60.1820	82R	MF, 1%, 0204, E24					
0	R 59	57.60.1472	4k7	MF, 1%, 0204, E24					
0	R 60	57.60.1392	3k9	MF, 1%, 0204, E24					
0	R 61	57.60.1104	100k	MF, 1%, 0204, E24					
0	R 62	57.60.1104	100k	MF, 1%, 0204, E24					
0	R 63	57.60.1392	3k9	MF, 1%, 0204, E24					
0	R 64	57.60.1472	4k7	MF, 1%, 0204, E24					
0	R 65	57.60.1101	100R	MF, 1%, 0204, E24					
0	R 66	57.60.1472	4k7	MF, 1%, 0204, E24					
0	R 67	57.60.1103	10k	MF, 1%, 0204, E24					
0	R 68	57.60.1912	9k1	MF, 1%, 0204, E24					
0	R 69	57.60.1511	510R	MF, 1%, 0204, E24					
0	R 70	57.60.1682	6k8	MF, 1%, 0204, E24					
0	R 71	57.60.1682	6k8	MF, 1%, 0204, E24					
0	R 72	57.60.1682	6k8	MF, 1%, 0204, E24					
0	R 73	57.60.1682	6k8	MF, 1%, 0204, E24					
0	R 74	57.60.1682	6k8	MF, 1%, 0204, E24					
0	R 75	57.60.1682	6k8	MF, 1%, 0204, E24					
0	R 76	57.60.1682	6k8	MF, 1%, 0204, E24					
0	R 77	57.60.1682	6k8	MF, 1%, 0204, E24					
0	R 78	57.60.1331	330R	MF, 1%, 0204, E24					
0	R 79	57.60.1511	510R	MF, 1%, 0204, E24					
0	R 80	57.60.1912	9k1	MF, 1%, 0204, E24					
0	R 81	57.60.1682	6k8	MF, 1%, 0204, E24					
0	R 82	57.60.1682	6k8	MF, 1%, 0204, E24					
0	R 83	57.60.1682	6k8	MF, 1%, 0204, E24					
0	R 84	57.60.1682	6k8	MF, 1%, 0204, E24					
0	R 85	57.60.1682	6k8	MF, 1%, 0204, E24					
0	R 86	57.60.1682	6k8	MF, 1%, 0204, E24					
0	R 87	57.60.1682	6k8	MF, 1%, 0204, E24					
0	R 88	57.60.1682	6k8	MF, 1%, 0204, E24					
0	R 89	57.60.1682	6k8	MF, 1%, 0204, E24					
0	R 90	57.60.1682	6k8	MF, 1%, 0204, E24					
0	R 91	57.60.1682	6k8	MF, 1%, 0204, E24					
0	R 92	57.60.1682	6k8	MF, 1%, 0204, E24					
0	R 93	57.60.1682	6k8	MF, 1%, 0204, E24					
0	R 94	57.60.1682	6k8	MF, 1%, 0204, E24					
0	R 95	57.60.1682	6k8	MF, 1%, 0204, E24					
0	R 96	57.60.1511	510R	MF, 1%, 0204, E24					
0	R 97	57.60.1103	10k	MF, 1%, 0204, E24					
0	R 98	57.60.1912	9k1	MF, 1%, 0204, E24					
0	R 99	57.92.7051	1.1A	PTC 30V					
0	R 100	57.60.1103	10k	MF, 1%, 0204, E24					
0	R 101	57.60.1103	10k	MF, 1%, 0204, E24					
0	R 102	57.60.1103	10k	MF, 1%, 0204, E24					
0	R 103	57.60.1822	8k2	MF, 1%, 0204, E24					
0	R 104	57.60.1104	100k	MF, 1%, 0204, E24					
0	R 105	57.60.1104	100k	MF, 1%, 0204, E24					
0	R 106	57.60.1184	180k	MF, 1%, 0204, E24					
0	R 107	57.60.1184	180k	MF, 1%, 0204, E24					
0	R 108	57.60.1181	180R	MF, 1%, 0204, E24					
0	R 109	57.60.1181	180R	MF, 1%, 0204, E24					
1	R 110	57.60.1105	1M	MF, 1%, 0204, E24					
1	R 111	57.60.1105	1M	MF, 1%, 0204, E24					
0	R 112	57.60.1104	100k	MF, 1%, 0204, E24					
0	R 113	57.60.1104	100k	MF, 1%, 0204, E24					
0	R 114	57.60.1104	100k	MF, 1%, 0204, E24					
0	R 115	57.60.1104	100k	MF, 1%, 0204, E24					
0	R 116	57.60.1104	100k	MF, 1%, 0204, E24					
0	R 117	57.60.1104	100k	MF, 1%, 0204, E24					
0	R 118	57.60.1103	10k	MF, 1%, 0204, E24					
0	R 119	57.60.1103	10k	MF, 1%, 0204, E24					
0	R 120	57.60.1103	10k	MF, 1%, 0204, E24					
0	R 121	57.60.1103	10k	MF, 1%, 0204, E24					
0	R 122	57.60.1103	10k	MF, 1%, 0204, E24					
0	R 123	57.60.1103	10k	MF, 1%, 0204, E24					
0	R 124	57.60.1103	10k	MF, 1%, 0204, E24					
0	R 125	57.60.1103	10k	MF, 1%, 0204, E24					
0	R 126	57.60.1103	10k	MF, 1%, 0204, E24					
0	R 127	57.60.1103	10k	MF, 1%, 0204, E24					
0	R 128	57.60.1103	10k	MF, 1%, 0204, E24					
0	R 129	57.60.1103	10k	MF, 1%, 0204, E24					
0	R 130	57.60.1103	10k	MF, 1%, 0204, E24					
0	R 131	57.60.1103	10k	MF, 1%, 0204, E24					
0	R 132	57.60.1103	10k	MF, 1%, 0204, E24					
0	R 134	57.60.1103	10k	MF, 1%, 0204, E24					
0	XIC 1	53.03.0166	8p	DIL-socket 0.3"					
0	XIC 2	53.03.0166	8p	DIL-socket 0.3"					
0	XIC 6	53.03.0166	8p	DIL-socket 0.3"					
0	XIC 7	53.03.0166	8p	DIL-socket 0.3"					
0	XIC 12	53.03.0166	8p	DIL-socket 0.3"					
0	XIC 13	53.03.0166	8p	DIL-socket 0.3"					
0	XIC 15	53.03.0166	8p	DIL-socket 0.3"					
0	XIC 16	53.03.0166	8p	DIL-socket 0.3"					
0	XIC 29	53.03.0165	20p	DIL-socket 0.3"					
0	XIC 30	53.03.0166	8p	DIL-socket 0.3"					
0	XY 1	89.01.1499		QUARZ - ISOLIERPLATTE					
0	Y 1	89.01.1016	22.1184MHz	XTAL HC 49/U					

End of List

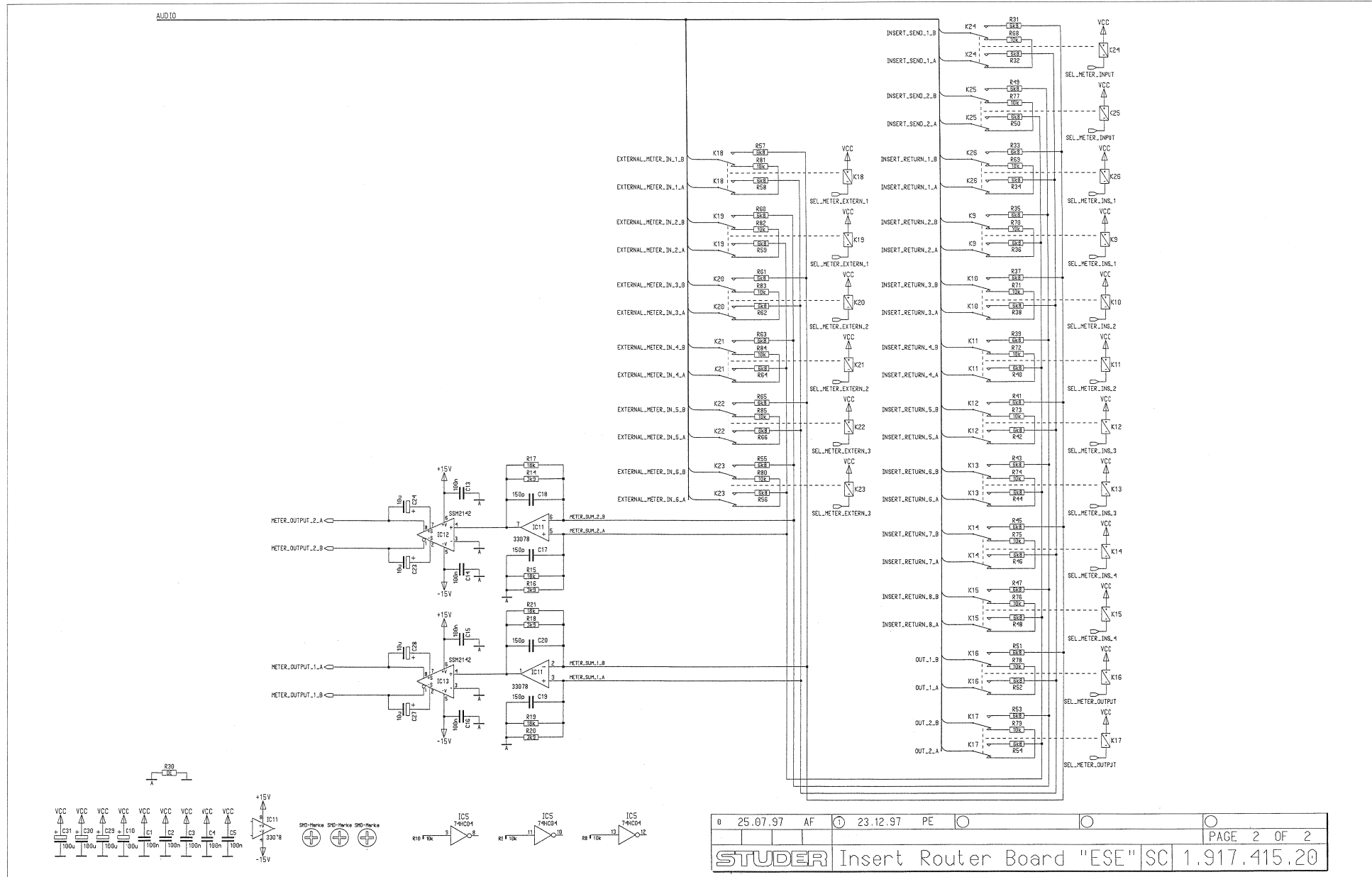


Insert Router Board 1.917.415.20



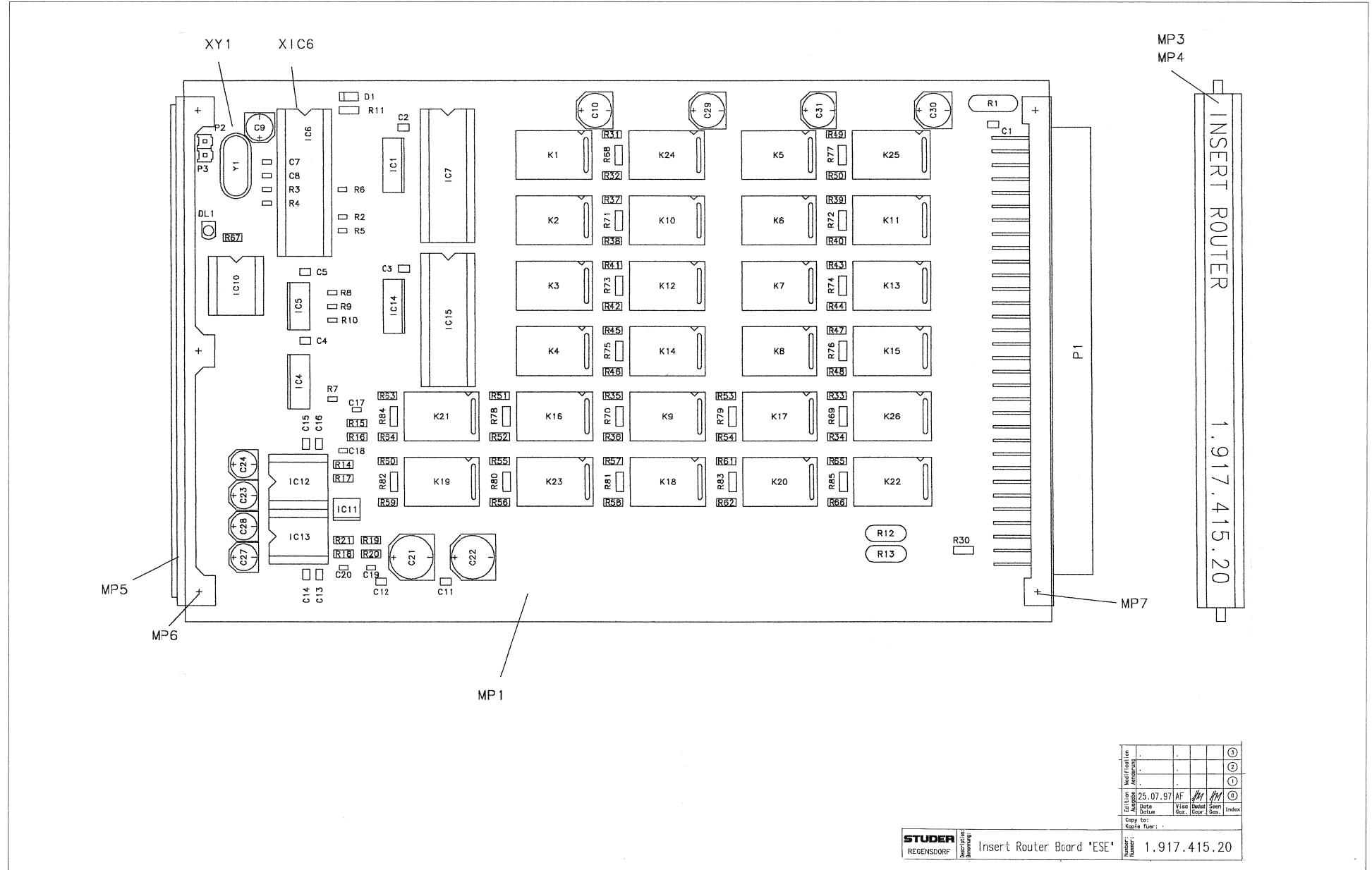


Insert Router Board 1.917.415.20





Insert Router Board 1.917.415.20



Teil-Nr.	Monte/Entmont.						
Abgabe	Abgang						
Date	25.07.97	AF					
Druck							
V.00							
Gez.							
Gepr.							
Gepr.							
Gepr.							
Index							

STUDER REGENSDORF
 Insert Router Board "ESE"
 Number: 1.917.415.20

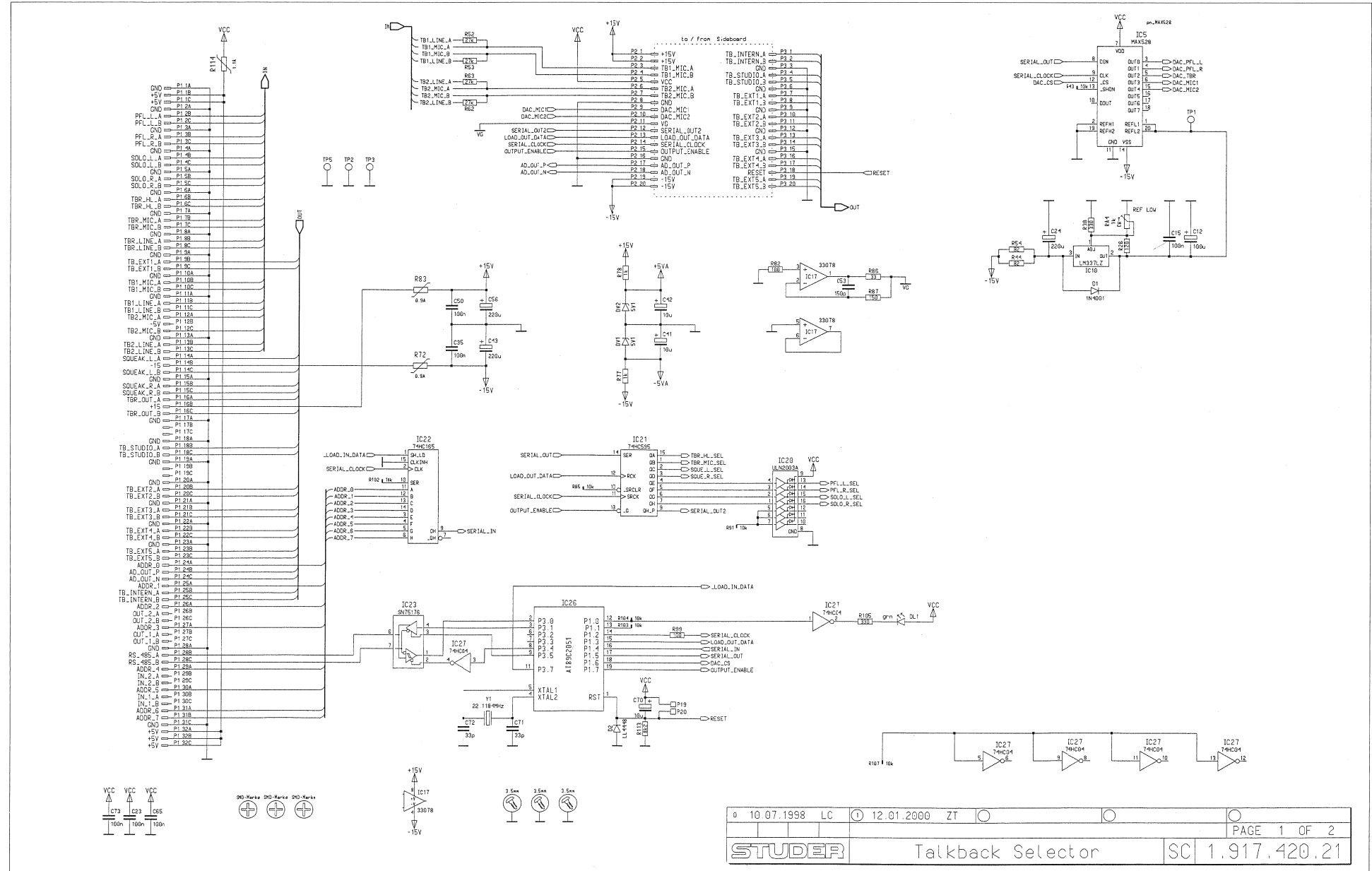


Insert Router Board 1.917.415.22

Idx.	Pos.	Part No.	Qty.	Type/Val.	Description	Idx.	Pos.	Part No.	Qty.	Type/Val.	Description
0	C 1	59.60.3337	100n		CER 60V, 10%, X7R, 0805	0	R 1	57.92.7051	1.1A		POLY-PTD, 30V
0	C 2	59.60.3337	100n		CER 60V, 10%, X7R, 0805	0	R 2	57.69.1097	10k		Chip 0603 5%, carbon
0	C 3	59.60.3337	100n		CER 60V, 10%, X7R, 0805	0	R 3	57.69.1097	10k		Chip 0603 5%, carbon
0	C 4	59.60.3337	100n		CER 60V, 10%, X7R, 0805	0	R 4	57.69.1097	10k		Chip 0603 5%, carbon
0	C 5	59.60.3337	100n		CER 60V, 10%, X7R, 0805	0	R 5	57.69.1097	10k		Chip 0603 5%, carbon
0	C 7	59.60.2237	33p		CER 60V, 5%, COG, 0603	0	R 6	57.69.1097	10k		Chip 0603 5%, carbon
0	C 8	59.60.2237	33p		CER 60V, 5%, COG, 0603	0	R 7	57.69.1097	10k		Chip 0603 5%, carbon
0	C 9	59.68.0199	10u		C-EL 35V, 5.0*5.7	0	R 8	57.69.1097	10k		Chip 0603 5%, carbon
0	C 10	59.68.0029	100u		C-EL 6V, 6.3*5.7	0	R 9	57.69.1097	10k		Chip 0603 5%, carbon
0	C 11	59.60.3337	100n		CER 60V, 10%, X7R, 0805	0	R 10	57.69.1097	10k		Chip 0603 5%, carbon
0	C 12	59.60.3337	100n		CER 60V, 10%, X7R, 0805	0	R 11	57.69.1097	10k		Chip 0603 5%, carbon
0	C 13	59.60.3337	100n		CER 60V, 10%, X7R, 0805	0	R 12	57.69.1097	10k		Chip 0603 5%, carbon
0	C 14	59.60.3337	100n		CER 60V, 10%, X7R, 0805	0	R 13	57.69.1097	10k		Chip 0603 5%, carbon
0	C 15	59.60.3337	100n		CER 60V, 10%, X7R, 0805	1	R 14	57.60.1392	3K9		MF, 1%, 0204, E24
0	C 16	59.60.3337	100n		CER 60V, 10%, X7R, 0805	1	R 15	57.60.1183	*8K		MF, 1%, 0204, E24
0	C 17	59.60.2253	150p		CER 60V, 5%, COG, 0603	1	R 16	57.60.1392	3K9		MF, 1%, 0204, E24
0	C 18	59.60.2253	150p		CER 60V, 5%, COG, 0603	1	R 17	57.60.1183	*8K		MF, 1%, 0204, E24
0	C 19	59.60.2253	150p		CER 60V, 5%, COG, 0603	1	R 18	57.60.1392	3K9		MF, 1%, 0204, E24
0	C 20	59.60.2253	150p		CER 60V, 5%, COG, 0603	1	R 19	57.60.1183	*8K		MF, 1%, 0204, E24
0	C 21	59.68.0115	100u		C-EL 35V, 8.0*10.7	1	R 20	57.60.1392	3K9		MF, 1%, 0204, E24
0	C 22	59.68.0115	100u		C-EL 35V, 8.0*10.7	1	R 21	57.60.1183	*8K		MF, 1%, 0204, E24
0	C 23	59.68.0109	10u		C-EL 35V, 5.0*5.7	0	R 30	57.60.1000	0R0		MF, 0204
0	C 24	59.68.0109	10u		C-EL 35V, 5.0*5.7	0	R 31	57.60.1882	6K8		MF, 1%, 0204, E24
0	C 27	59.68.0109	10u		C-EL 35V, 5.0*5.7	0	R 32	57.60.1882	6K8		MF, 1%, 0204, E24
0	C 28	59.68.0109	10u		C-EL 35V, 5.0*5.7	0	R 33	57.60.1882	6K8		MF, 1%, 0204, E24
0	C 29	59.68.0029	100u		C-EL 6V, 6.3*5.7	0	R 34	57.60.1882	6K8		MF, 1%, 0204, E24
0	C 30	59.68.0029	100u		C-EL 6V, 6.3*5.7	0	R 35	57.60.1882	6K8		MF, 1%, 0204, E24
0	C 31	59.68.0029	100u		C-EL 6V, 6.3*5.7	0	R 36	57.60.1882	6K8		MF, 1%, 0204, E24
0	C 31	59.68.0029	100u		C-EL 6V, 6.3*5.7	0	R 37	57.60.1882	6K8		MF, 1%, 0204, E24
0	C 31	59.68.0029	100u		C-EL 6V, 6.3*5.7	0	R 38	57.60.1882	6K8		MF, 1%, 0204, E24
0	C 31	59.68.0029	100u		C-EL 6V, 6.3*5.7	0	R 39	57.60.1882	6K8		MF, 1%, 0204, E24
0	D 1	50.60.8001	4448		D LL 4448 SCD 80	0	R 40	57.60.1882	6K8		MF, 1%, 0204, E24
0	DL 1	50.04.2132	TLUG 2401		DL TLUG 2401 GN MATT	0	R 41	57.60.1882	6K8		MF, 1%, 0204, E24
0	IC 1	50.62.1595	74HC595		74 HC 595	0	R 42	57.60.1882	6K8		MF, 1%, 0204, E24
0	IC 4	50.62.1065	74HC165		74 HC 165	0	R 43	57.60.1882	6K8		MF, 1%, 0204, E24
0	IC 5	50.62.1004	74HC 04		74 HC 04	0	R 44	57.60.1882	3K9		MF, 1%, 0204, E24
0	IC 6	50.16.0313	89C2051		MicroController 24MHz	0	R 45	57.60.1882	3K9		MF, 1%, 0204, E24
0	IC 7	50.15.0119	ULN2803		1.950.912.20 SW 917415 ATMEL3	0	R 46	57.60.1882	3K9		MF, 1%, 0204, E24
0	IC 10	50.15.0115	75176		Octal peripheral Driver, o.c.	0	R 47	57.60.1882	3K9		MF, 1%, 0204, E24
0	IC 11	50.61.0204	MC33078		IC SN 75176 BP DS 3695 N	0	R 48	57.60.1882	3K9		MF, 1%, 0204, E24
0	IC 12	50.09.0124	2142		IC MC 33078 P	0	R 49	57.60.1882	3K9		MF, 1%, 0204, E24
0	IC 13	50.09.0124	2142		IC SSM 2142 P	0	R 50	57.60.1882	3K9		MF, 1%, 0204, E24
0	IC 14	50.62.1595	74HC595		IC SSM 2142 P	0	R 51	57.60.1882	3K9		MF, 1%, 0204, E24
0	IC 15	50.15.0119	ULN2803		74 HC 595	0	R 52	57.60.1882	6K8		MF, 1%, 0204, E24
0	IC 15	50.15.0119	ULN2803		Octal peripheral Driver, o.c.	0	R 53	57.60.1882	6K8		MF, 1%, 0204, E24
0	K 1	56.04.0198	2u		5V, 125V/2A, AGIAJ	0	R 54	57.60.1882	6K8		MF, 1%, 0204, E24
0	K 2	56.04.0198	2u		5V, 125V/2A, AGIAU	0	R 55	57.60.1882	6K8		MF, 1%, 0204, E24
0	K 3	56.04.0198	2u		5V, 125V/2A, AGIAU	0	R 56	57.60.1882	6K8		MF, 1%, 0204, E24
0	K 4	56.04.0198	2u		5V, 125V/2A, AGIAU	0	R 57	57.60.1882	6K8		MF, 1%, 0204, E24
0	K 5	56.04.0198	2u		5V, 125V/2A, AGIAU	0	R 58	57.60.1882	6K8		MF, 1%, 0204, E24
0	K 6	56.04.0198	2u		5V, 125V/2A, AGIAU	0	R 59	57.60.1882	6K8		MF, 1%, 0204, E24
0	K 7	56.04.0198	2u		5V, 125V/2A, AGIAU	0	R 60	57.60.1882	6K8		MF, 1%, 0204, E24
0	K 8	56.04.0198	2u		5V, 125V/2A, AGIAU	0	R 81	57.60.1882	6K8		MF, 1%, 0204, E24
0	K 9	56.04.0198	2u		5V, 125V/2A, AGIAU	0	R 82	57.60.1882	6K8		MF, 1%, 0204, E24
0	K 10	56.04.0198	2u		5V, 125V/2A, AGIAU	0	R 83	57.60.1882	6K8		MF, 1%, 0204, E24
0	K 11	56.04.0198	2u		5V, 125V/2A, AGIAU	0	R 84	57.60.1882	6K8		MF, 1%, 0204, E24
0	K 12	56.04.0198	2u		5V, 125V/2A, AGIAU	0	R 65	57.60.1882	6K8		MF, 1%, 0204, E24
0	K 12	56.04.0198	2u		5V, 125V/2A, AGIAU	0	R 66	57.60.1882	6K8		MF, 1%, 0204, E24
0	K 14	56.04.0198	2u		5V, 125V/2A, AGIAU	0	R 67	57.60.1331	330R		MF, 1%, 0204, E24
0	K 14	56.04.0198	2u		5V, 125V/2A, AGIAU	0	R 68	57.60.1103	10K		MF, 1%, 0204, E24
0	K 14	56.04.0198	2u		5V, 125V/2A, AGIAU	0	R 69	57.60.1103	10K		MF, 1%, 0204, E24
0	K 16	56.04.0198	2u		5V, 125V/2A, AGIAU	0	R 70	57.60.1103	10K		MF, 1%, 0204, E24
0	K 16	56.04.0198	2u		5V, 125V/2A, AGIAU	0	R 71	57.60.1103	10K		MF, 1%, 0204, E24
0	K 16	56.04.0198	2u		5V, 125V/2A, AGIAU	0	R 72	57.60.1103	10K		MF, 1%, 0204, E24
0	K 16	56.04.0198	2u		5V, 125V/2A, AGIAU	0	R 73	57.60.1103	10K		MF, 1%, 0204, E24
0	K 20	56.04.0198	2u		5V, 125V/2A, AGIAU	0	R 74	57.60.1103	10K		MF, 1%, 0204, E24
0	K 21	56.04.0198	2u		5V, 125V/2A, AGIAU	0	R 75	57.60.1103	10K		MF, 1%, 0204, E24
0	K 22	56.04.0198	2u		5V, 125V/2A, AGIAU	0	R 76	57.60.1103	10K		MF, 1%, 0204, E24
0	K 23	56.04.0198	2u		5V, 125V/2A, AGIAU	0	R 77	57.60.1103	10K		MF, 1%, 0204, E24
0	K 24	56.04.0198	2u		5V, 125V/2A, AGIAU	0	R 78	57.60.1103	10K		MF, 1%, 0204, E24
0	K 25	56.04.0198	2u		5V, 125V/2A, AGIAU	0	R 79	57.60.1103	10K		MF, 1%, 0204, E24
0	K 28	56.04.0198	2u		5V, 125V/2A, AGIAU	0	R 80	57.60.1103	10K		MF, 1%, 0204, E24
0	K 28	56.04.0198	2u		5V, 125V/2A, AGIAU	0	R 81	57.60.1103	10K		MF, 1%, 0204, E24
0	MP 1	1.917.415.11	1 pcs		INSERT ROUTER PCB	0	R 82	57.60.1103	10K		MF, 1%, 0204, E24
0	MP 2	43.01.0108	1 pcs	Label	ESE-WARNschild	0	R 83	57.60.1103	10K		MF, 1%, 0204, E24
0	MP 3	1.917.415.01	1 pcs		BEZ. STREIFEN 6.3x61	0	R 84	57.60.1103	10K		MF, 1%, 0204, E24
0	MP 4	1.010.096.49	1 pcs		KLARSICHTSCHILD	0	R 85	57.60.1103	10K		MF, 1%, 0204, E24
0	MP 5	1.010.006.33	2 pcs	Handle	GRIFFFHAELFTE	0	XIC 8	53.03.0165	20p		DIL 0.3", 1st, gerade
0	MP 6	28.21.1380	3 pcs		ROHRNIETE D2 25* 6.6	0	XY 1	89.01.1499			QUARZ - ISOLIERPLATTE
0	MP 7	29.99.0119	2 pcs		ROHRNIETE D 7.5*0.16* 9	0	Y 1	89.01.1016	22.1184MHz		22.118 400 MHz, HC 46/U
0	MP 8	1.101.001.20	1 pcs	Label	TEXT-ETIK 5*20 HARDWARE-20						
0	P 1	54.11.2009	96p		EU-R 3*32p						
0	P 2	54.01.0020	1p		Pin 0.63*0.63						
0	P 3	54.01.0020	1p		Pin 0.63*0.63						

Comments: (1) 23.12.87 Adaptation of gain

Talback Selector 1.917.420.22



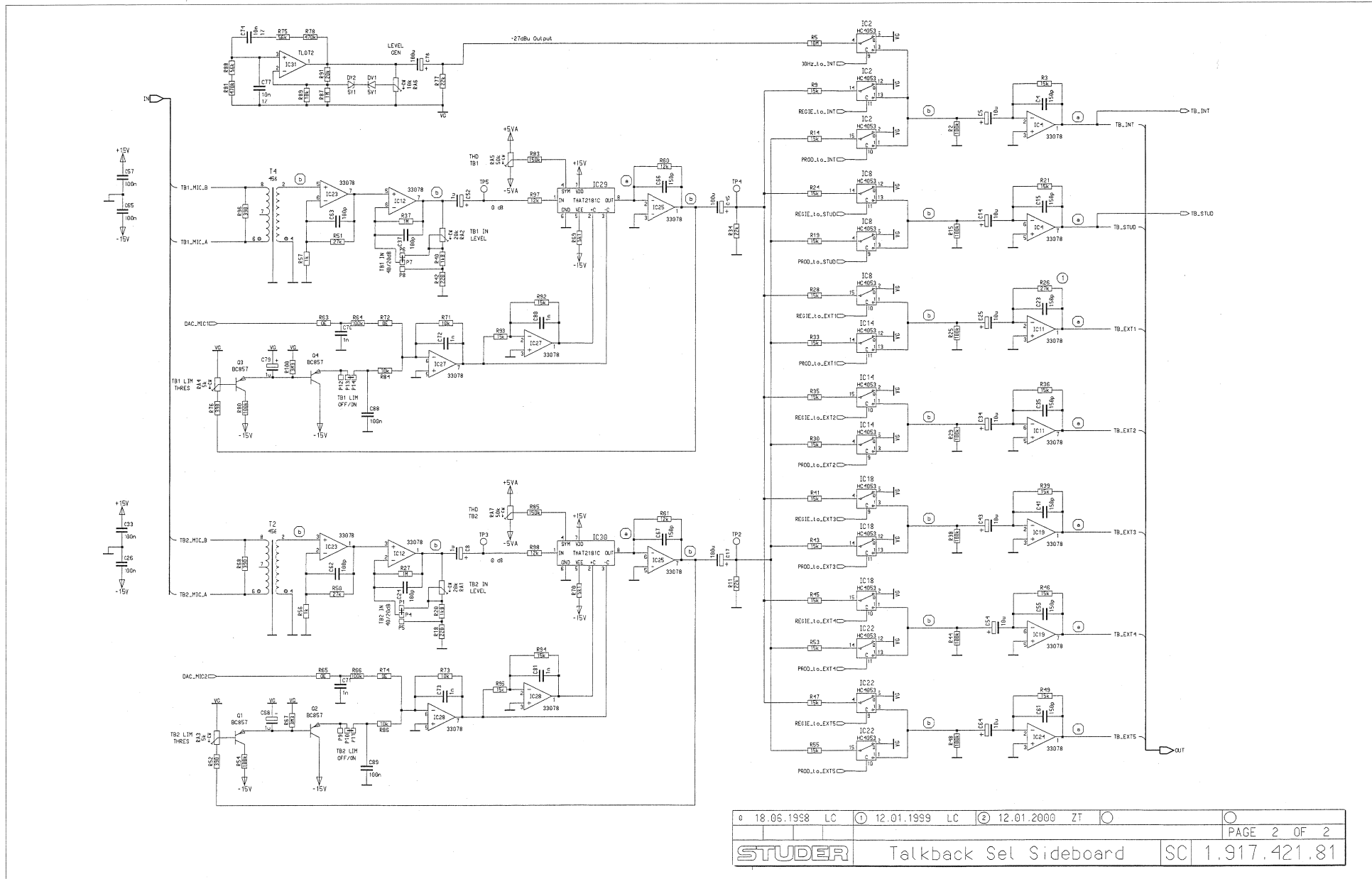


Talback Selector 1.917.420.22

Idx	Pos.	Part No.	Qty.	Type/Val.	Description	Idx	Pos.	Part No.	Qty.	Type/Val.	Description	Idx	Pos.	Part No.	Qty.	Type/Val.	Description	Idx	Pos.	Part No.	Qty.	Type/Val.	Description
0	A 1	1.917.421.81			TALKBAC SEL SIDEBOARD A	0	IC 1	50.61.0204		MC33078	Dual Op-Amp low noise	0	R 13	57.60.1123		12K	MF, 1%, 0204, E24	1	R 94	57.60.1123		12K	MF, 1%, 0204, E24
0	C 1	59.60.2253	150p		CER 50V, 5%, COG, 0603	0	IC 2	50.11.0140		THAT2181C	IC VCA THAT 2181C	0	R 14	57.60.1123		12K	MF, 1%, 0204, E24	1	R 95	57.60.1123		12K	MF, 1%, 0204, E24
0	C 2	59.60.2253	150p		CER 50V, 5%, COG, 0603	0	IC 3	50.11.0140		THAT2181C	IC VCA THAT 2181C	0	R 15	57.60.1392		3K9	MF, 1%, 0204, E24	0	R 96	57.60.1332		3K3	MF, 1%, 0204, E24
0	C 3	59.68.0065	10u		EL 16V, 4.0*5.7	0	IC 4	50.11.0140		THAT2181C	IC VCA THAT 2181C	0	R 16	not used		10M	MF, 1%, 0204, E24	0	R 97	57.60.1332		3K3	MF, 1%, 0204, E24
0	C 4	59.68.0065	10u		EL 16V, 4.0*5.7	0	IC 5	50.19.0115		MAX528D	D/A Converter 8bit octal	0	R 17	not used		10M	MF, 1%, 0204, E24	0	R 98	57.60.1682		6K8	MF, 1%, 0204, E24
0	C 5	59.68.0065	10u		EL 16V, 4.0*5.7	0	IC 6	50.62.8053		HC4053	Triple 2ch analog mux/demux	0	R 18	57.60.1392		3K9	MF, 1%, 0204, E24	0	R 99	57.60.1101		100R	MF, 1%, 0204, E24
0	C 6	59.68.0065	10u		EL 16V, 4.0*5.7	0	IC 7	50.61.0204		MC33078	Dual Op-Amp low noise	0	R 19	57.60.1153		15K	MF, 1%, 0204, E24	0	R 100	57.60.1682		6K8	MF, 1%, 0204, E24
0	C 7	59.60.2253	150p		CER 50V, 5%, COG, 0603	0	IC 8	50.61.0204		MC33078	Dual Op-Amp low noise	0	R 20	57.60.1153		15K	MF, 1%, 0204, E24	0	R 101	57.60.1562		5K6	MF, 1%, 0204, E24
0	C 8	59.68.0065	10u		EL 16V, 4.0*5.7	0	IC 9	50.61.0204		MC33078	Dual Op-Amp low noise	0	R 21	57.60.1153		15K	MF, 1%, 0204, E24	0	R 102	57.69.1097		10K	CF 5% 0603
0	C 9	59.60.2373	1n0		CER 50V, 5%, COG, 0805	0	IC 10	50.10.0109		LM337L	Series regulator 100mA...-37V	0	R 22	57.60.1153		15K	MF, 1%, 0204, E24	0	R 103	57.69.1097		10K	CF 5% 0603
0	C 10	59.60.2373	1n0		CER 50V, 5%, COG, 0805	0	IC 11	50.61.0204		MC33078	Dual Op-Amp low noise	0	R 23	57.60.1153		15K	MF, 1%, 0204, E24	0	R 104	57.69.1097		10K	CF 5% 0603
0	C 11	59.60.2373	1n0		CER 50V, 5%, COG, 0805	0	IC 12	50.61.0204		MC33078	Dual Op-Amp low noise	0	R 24	57.60.1153		15K	MF, 1%, 0204, E24	0	R 105	57.60.1331		330R	MF, 1%, 0204, E24
0	C 12	59.68.0029	100u		EL 6V, 6.3*5.7	0	IC 13	50.09.0124		2142	Audio balanced line driver	0	R 25	57.60.1153		10K	MF, 1%, 0204, E24	0	R 106	57.60.1562		5K6	MF, 1%, 0204, E24
0	C 13	59.68.0065	10u		EL 16V, 4.0*5.7	0	IC 14	50.61.0204		MC33078	Dual Op-Amp low noise	0	R 26	57.60.1121		120R	MF, 1%, 0204, E24	0	R 107	57.69.1097		10K	CF 5% 0603
0	C 14	59.68.0065	10u		EL 16V, 4.0*5.7	0	IC 15	50.62.8053		HC4053	Triple 2ch analog mux/demux	0	R 27	57.60.1154		150K	MF, 1%, 0204, E24	0	R 108	57.60.1682		6K8	MF, 1%, 0204, E24
0	C 15	59.60.3337	100n		CER 50V, 10%, X7R, 0805	0	IC 16	50.09.0124		2142	Audio balanced line driver	0	R 28	57.60.1154		150K	MF, 1%, 0204, E24	0	R 109	57.60.1223		22K	MF, 1%, 0204, E24
0	C 16	59.60.2373	1n0		CER 50V, 5%, COG, 0805	0	IC 17	50.61.0204		MC33078	Dual Op-Amp low noise	0	R 29	57.60.1154		150K	MF, 1%, 0204, E24	0	R 110	57.60.1104		100K	MF, 1%, 0204, E24
0	C 17	59.60.2373	1n0		CER 50V, 5%, COG, 0805	0	IC 18	50.61.0204		MC33078	Dual Op-Amp low noise	0	R 30	57.60.1331		330R	MF, 1%, 0204, E24	1	R 111	57.60.1123		12K	MF, 1%, 0204, E24
0	C 18	59.60.2373	1n0		CER 50V, 5%, COG, 0805	0	IC 19	50.09.0124		2142	Audio balanced line driver	2	R 31	57.60.1563		56K	MF, 1%, 0204, E24	1	R 112	57.60.1123		12K	MF, 1%, 0204, E24
0	C 19	59.68.0065	10u		EL 16V, 4.0*5.7	0	IC 20	50.62.0130		ULN2003	7-Darlington driver	2	R 32	57.60.1563		56K	MF, 1%, 0204, E24	0	R 113	57.60.1822		8K2	MF, 1%, 0204, E24
0	C 20	59.60.2373	1n0		CER 50V, 5%, COG, 0805	0	IC 21	50.62.1595		74HC595	8bit shift/output register	0	R 33	57.60.1000		0R0	MF, 0204	0	R 114	57.62.7051		1.1A	PTC 30V
0	C 21	59.60.2373	1n0		CER 50V, 5%, COG, 0805	0	IC 22	50.62.1165		74HC165	8bit shift register	0	R 34	57.60.1153		10K	MF, 1%, 0204, E24	0	RA 1	58.01.9503		50k	Cermet, 10%, 0.5W, vertical
0	C 22	59.60.2373	1n0		CER 50V, 5%, COG, 0805	0	IC 23	50.15.0115		75178	IC SN 75178 BP_DS 3995 N	0	R 35	57.60.1000		0R0	MF, 0204	0	RA 2	58.01.9503		50k	Cermet, 10%, 0.5W, vertical
0	C 23	59.60.3337	100n		CER 50V, 10%, X7R, 0805	0	IC 24	50.62.8053		HC4053	Triple 2ch analog mux/demux	0	R 36	57.60.1153		10K	MF, 1%, 0204, E24	0	RA 3	58.01.9503		50k	Cermet, 10%, 0.5W, vertical
0	C 24	59.68.0117	220u		EL 35V, 10*10.7	0	IC 25	50.61.0204		MC33078	Dual Op-Amp low noise	0	R 37	57.60.1000		0R0	MF, 0204	0	RA 4	58.01.9102		1K	Cermet, 10%, 0.5W, vertical
0	C 25	59.60.2253	150p		CER 50V, 5%, COG, 0603	0	IC 26	1.950.915.22		SW 917420 TB SEL (50.16.0313)		0	R 38	57.60.1103		10K	MF, 1%, 0204, E24	0	RA 5	58.01.9502		5k	Cermet, 10%, 0.5W, vertical
0	C 26	59.60.2253	150p		CER 50V, 5%, COG, 0603	0	IC 27	50.62.1004		74HC 04	Hex invert	0	R 39	57.60.1512		5K1	MF, 1%, 0204, E24	0	RA 6	58.01.9203		20k	Cermet, 10%, 0.5W, vertical
0	C 27	59.60.2253	150p		CER 50V, 5%, COG, 0603	0	K 1	56.94.0198		2u	5V 125V 2A Ag/Au	0	R 41	57.60.1512		5K1	MF, 1%, 0204, E24	0	T 1	1.022.456.00	1:2.24	EINGANGSTRAFO	
0	C 28	59.60.2253	150p		CER 50V, 5%, COG, 0603	0	K 2	56.94.0198		2u	5V 125V 2A Ag/Au	0	R 42	57.60.1103		10K	MF, 1%, 0204, E24	0	TP 1	54.33.6010	2.8*0.8	PCB-Flachstecker, gerade	
0	C 29	59.60.2253	150p		CER 50V, 5%, COG, 0603	0	K 3	56.94.0198		2u	5V 125V 2A Ag/Au	0	R 43	57.69.1067		10K	CF 5% 0603	0	TP 2	54.33.6010	2.8*0.8	PCB-Flachstecker, gerade	
0	C 30	59.68.0127	1u0		EL 50V, 4.0*5.7	0	K 4	56.94.0198		2u	5V 125V 2A Ag/Au	0	R 44	57.60.1820		82R	MF, 1%, 0204, E24	0	TP 3	54.33.6010	2.8*0.8	PCB-Flachstecker, gerade	
0	C 31	59.68.0065	10u		EL 16V, 4.0*5.7	0	MP 1	1.917.420.11	1 pce		TALKBAC SELECTOR PCB	0	R 45	57.60.1104		100K	MF, 1%, 0204, E24	0	TP 4	54.33.6010	2.8*0.8	PCB-Flachstecker, gerade	
0	C 32	59.68.0065	10u		EL 16V, 4.0*5.7	0	MP 2	43.01.0108	1 pce	Label	ESE-WARNSCHILD	0	R 46	57.60.1000		0R0	MF, 0204	0	TP 5	54.33.6010	2.8*0.8	PCB-Flachstecker, gerade	
0	C 33	59.68.0065	10u		EL 16V, 4.0*5.7	0	MP 3	1.917.420.01	1 pce		BEZ. STREIFEN 6,3x91	0	R 47	57.60.1104		100K	MF, 1%, 0204, E24	0	TP 6	54.33.6010	2.8*0.8	PCB-Flachstecker, gerade	
0	C 34	59.60.3337	100n		CER 50V, 10%, X7R, 0805	0	MP 4	1.010.096.49	1 pce		KLARSICHTSCHILD	0	R 48	57.60.1000		0R0	MF, 0204	0	XIC 23	53.03.0166	8p	DIL 0.3", 16l, gerade	
0	C 35	59.60.3337	100n		CER 50V, 10%, X7R, 0805	0	MP 5	1.010.096.33	2 pcs	Handle	GRIFFHÄLTETTE	0	R 49	57.60.1104		100K	MF, 1%, 0204, E24	0	XIC 26	53.03.0165	20p	DIL 0.3", 16l, gerade	
0	C 36	59.60.2253	150p		CER 50V, 5%, COG, 0603	0	MP 6	28.21.1380	3 pcs	2.25*5.6	Rohmiete Ms blank	0	R 50	57.60.1000		0R0	MF, 0204	0	Y 1	89.01.016		1221184MM XTAL HC 9J4	
0	C 37	59.68.0065	10u		EL 16V, 4.0*5.7	0	MP 7	28.99.0119	2 pcs		ROHNIETIE D 2.2*5.0.15* 9	0	R 51	57.60.1103		10K	MF, 1%, 0204, E24						
0	C 38	59.60.3337	100n		CER 50V, 10%, X7R, 0805	0	MP 8	1.101.001.21	1 pce		TEXT-ETIK 5*20 HARDWARE -21	1	R 52	57.60.1273		27K	MF, 1%, 0204, E24						
0	C 39	59.60.2253	150p		CER 50V, 5%, COG, 0603	0	MP 9	21.53.9354	6 pcs	M3*6	S-Schraube Inbus-Ripp Zn gb ch	1	R 53	57.60.1273		27K	MF, 1%, 0204, E24						
0	C 40	59.68.0065	10u		EL 16V, 4.0*5.7	1	MP 10	1.010.024.27	3 pcs		MUTTERBOLZEN M 3 * 20	0	R 54	57.60.1820		82R	MF, 1%, 0204, E24						
0	C 41	59.68.0065	10u		EL 16V, 4.0*5.7	0	MP 11	54.01.0021	4 pcs	Jumper	0.63 * 0.63mm	0	R 55	57.60.1391		390R	MF, 1%, 0204, E24						
0	C 42	59.68.0065	10u		EL 16V, 4.0*5.7	0	MP 12	1.022.400.03	1 pce		ISOLATION	0	R 56	57.60.1123		12K	MF, 1%, 0204, E24						
0	C 43	59.68.0117	220u		EL 35V, 10*10.7	0	MP 13	89.01.1499	1 pce		QUARZ - ISOLIERPLATTE	0	R 57	57.60.1682		6K8	MF, 1%, 0204, E24						
0	C 44	59.68.0065	10u		EL 16V, 4.0*5.7	0	MP 14	43.0*0.110	1 pce	A	Revisions-Etikette 5mm h/blau	0	R 58	57.60.1682		6K8	MF, 1%, 0204, E24						
0	C 45	59.68.0065	10u		EL 16V, 4.0*5.7	0	P 1	54.1*2009	96p		EU-R 3*32p	0	R 59	57.60.1823		12K	MF, 1%, 0204, E24						
0	C 46	59																					



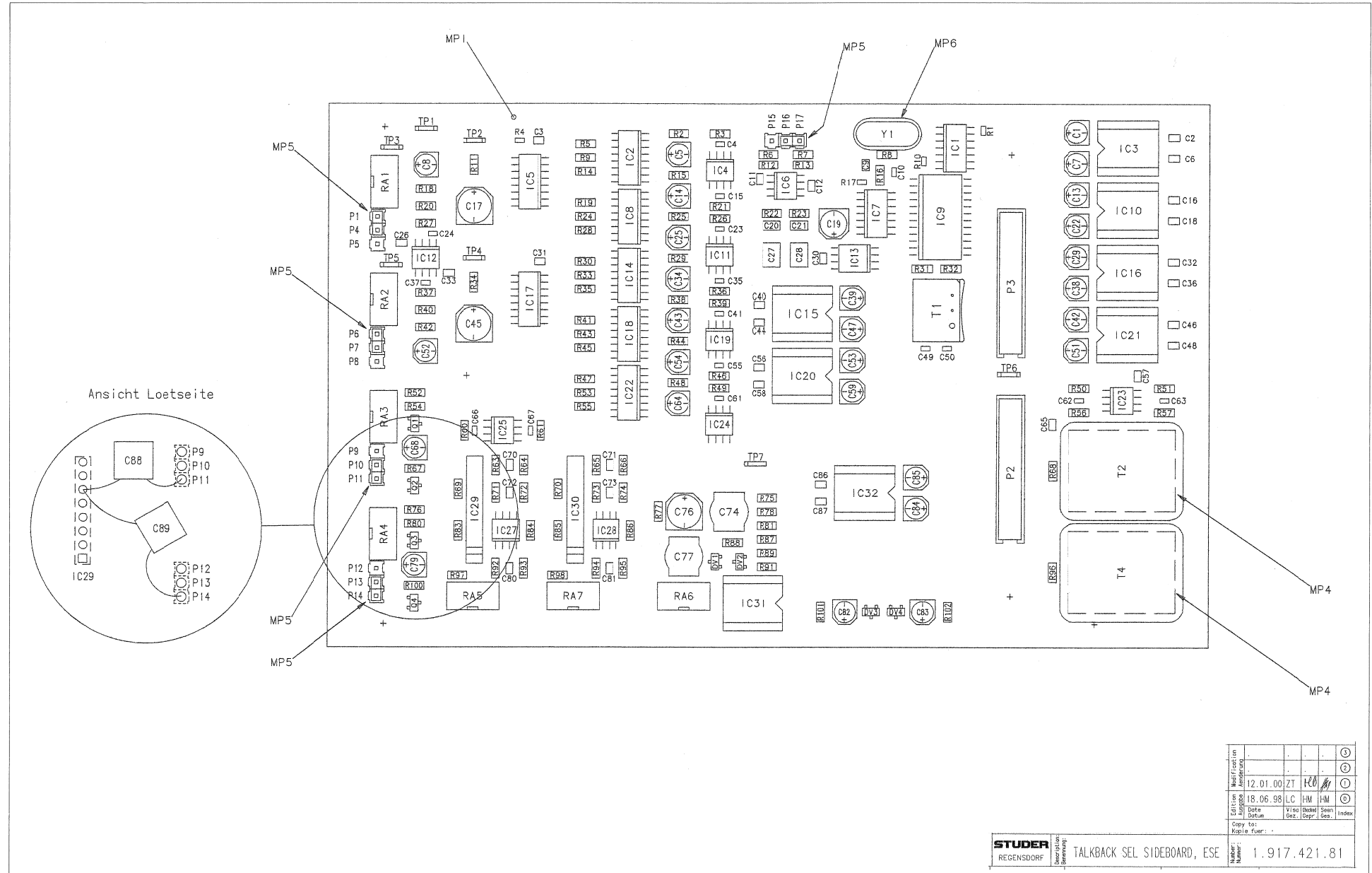
Talkback Sel Sideboard 1.917.421.81



0 18.06.1998 LC	① 12.01.1999 LC	② 12.01.2000 ZT	○
STUDER			PAGE 2 OF 2
Talkback Sel Sideboard			SC 1.917.421.81



Talkback Sel Sideboard 1.917.421.81



Werkstoff
12.01.00	ZT	100							
18.06.98	LC	HM	HM						
Date	V. no	Deskri	Schein						
Bottom	Exp.	Dep.	Exp.						

STUDER REGENSDORF TALKBACK SEL SIDEBOARD, ESE 1.917.421.81

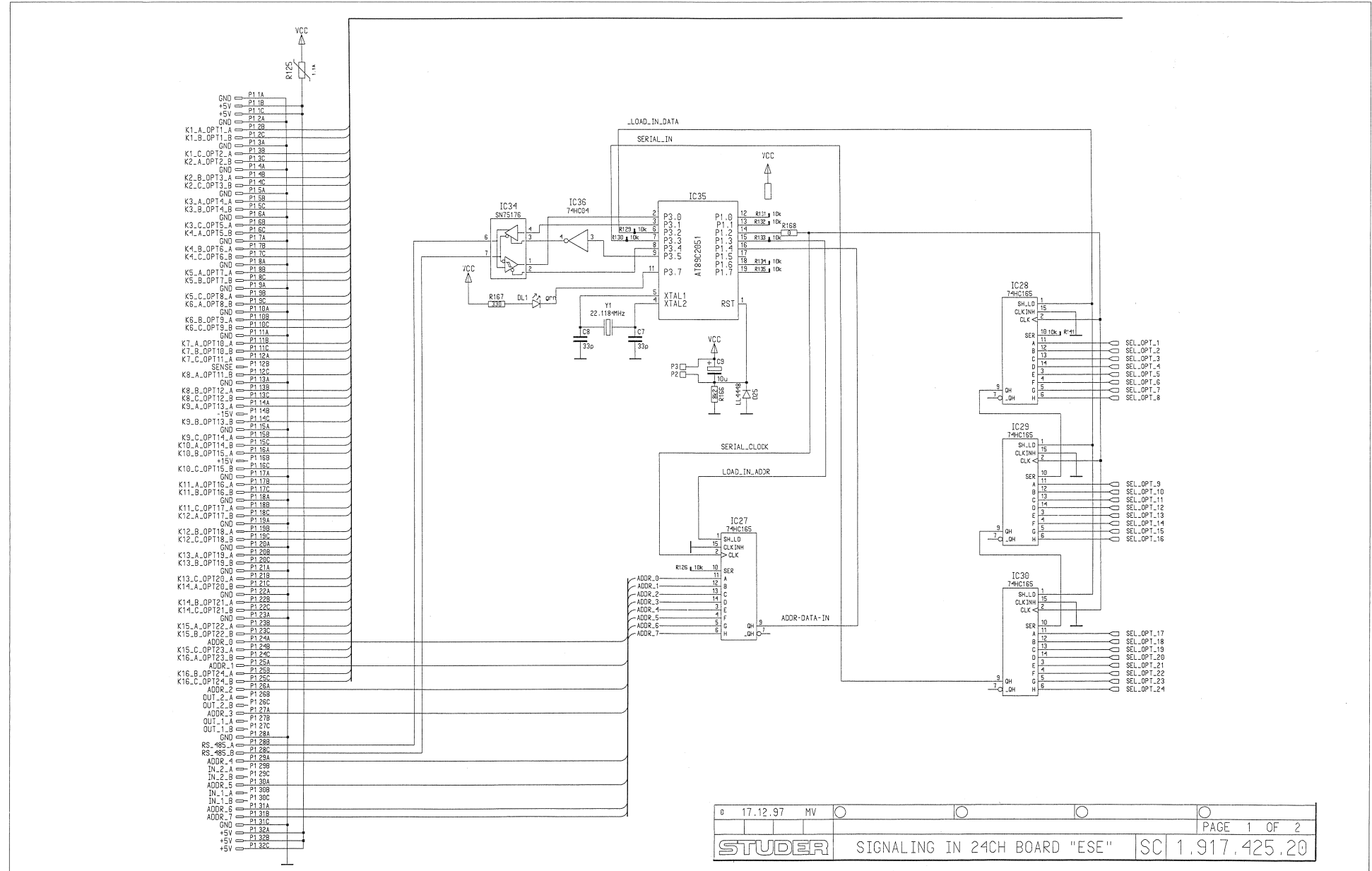


Talkback Sel Sideboard 1.917.421.81

Idx	Pos.	Part No.	Qty.	Type/Val.	Description	Idx	Pos.	Part No.	Qty.	Type/Val.	Description	Idx	Pos.	Part No.	Qty.	Type/Val.	Description	Idx	Pos.	Part No.	Qty.	Type/Val.	Description
0	C 1	59.68.0065	100u	EL	16V, 4.0*5.7	0	C 87	59.30.3337	100n	CER	50V, 10%, X7R, 0805	0	R 13	57.60.1681	680R	MF	1%, 0204, E24	0	R 91	57.60.1203	20K	MF	1%, 0204, E24
0	C 2	59.60.3337	100n	CER	50V, 10%, X7R, 0805	3	C 88	59.40.0104	100n	PETP	63V, 10%, RMS	0	R 14	57.60.1153	15K	MF	1%, 0204, E24	0	R 92	57.60.1153	15K	MF	1%, 0204, E24
0	C 3	59.60.3337	100n	CER	50V, 10%, X7R, 0805	3	C 89	59.40.0104	100n	PETP	63V, 10%, RMS	0	R 15	57.60.1153	100K	MF	1%, 0204, E24	0	R 93	57.60.1153	15K	MF	1%, 0204, E24
0	C 4	59.60.2253	150p	CER	50V, 5%, CGO, 0603	0	DV 1	50.30.9010	5V1	5%	0.2W, SOT 23	0	R 16	57.60.1153	1K	MF	1%, 0204, E24	0	R 94	57.60.1153	15K	MF	1%, 0204, E24
0	C 5	59.68.0065	100u	EL	16V, 4.0*5.7	0	DV 2	50.30.9010	5V1	5%	0.2W, SOT 23	0	R 17	57.60.1073	1K0	CF	5% 0603	0	R 95	57.60.1153	15K	MF	1%, 0204, E24
0	C 6	59.60.3337	100n	CER	50V, 10%, X7R, 0805	0	DV 3	50.30.9010	5V1	5%	0.2W, SOT 23	0	R 18	57.60.1221	220R	MF	1%, 0204, E24	0	R 96	57.60.1591	390R	MF	1%, 0204, E24
0	C 7	59.68.0065	100u	EL	16V, 4.0*5.7	0	DV 4	50.30.9010	5V1	5%	0.2W, SOT 23	0	R 19	57.60.1153	15K	MF	1%, 0204, E24	0	R 97	57.60.1123	12K	MF	1%, 0204, E24
0	C 8	59.68.0127	1u0	EL	50V, 4.0*5.7	0	IC 1	50.32.1074	74HC 74	Dual D-type FF, preset clear	0	R 20	57.60.1153	15K	MF	1%, 0204, E24	0	R 98	57.60.1123	12K	MF	1%, 0204, E24	
0	C 9	59.60.2341	47p	CER	50V, 5%, CGO, 0805	0	IC 2	50.32.8053	HC4053	Triple 2ch analog mux/demux	0	R 21	57.60.1153	15K	MF	1%, 0204, E24	0	R 100	57.60.1335	3M3	MF	1%, 0204, E24	
0	C 10	59.60.2257	33p	CER	50V, 5%, CGO, 0603	0	IC 3	50.39.0124	2142	Dual Op-Amp low noise	0	R 22	57.60.1151	150R	MF	1%, 0204, E24	0	R 101	57.60.1102	1K	MF	1%, 0204, E24	
0	C 11	59.60.2373	1n0	CER	50V, 5%, CGO, 0805	0	IC 4	50.31.0204	MC33078	Audio balanced line driver	0	R 23	57.60.1151	150R	MF	1%, 0204, E24	0	R 102	57.60.1102	1K	MF	1%, 0204, E24	
0	C 12	59.60.2373	1n0	CER	50V, 5%, CGO, 0805	0	IC 5	50.32.1595	74HC595	8bit shift/output register	0	R 24	57.60.1153	15K	MF	1%, 0204, E24	0	RA 1	58.01.9203	20K	Cermet	10%, 0.5W, vertical	
0	C 13	59.68.0065	100u	EL	16V, 4.0*5.7	0	IC 6	50.31.0204	MC33078	Dual Op-Amp low noise	0	R 25	57.60.1104	100K	MF	1%, 0204, E24	0	RA 2	58.01.9203	20K	Cermet	10%, 0.5W, vertical	
0	C 14	59.68.0065	100u	EL	16V, 4.0*5.7	0	IC 7	50.32.1904	74HCU04	Hex inverter unbuffered	1	R 26	57.60.1153	15K	MF	1%, 0204, E24	0	RA 3	58.01.9502	5K	Cermet	10%, 0.5W, vertical	
0	C 15	59.60.2253	150p	CER	50V, 5%, CGO, 0603	0	IC 8	50.32.8053	HC4053	Triple 2ch analog mux/demux	0	R 27	57.60.1153	15K	MF	1%, 0204, E24	0	RA 4	58.01.9502	5K	Cermet	10%, 0.5W, vertical	
0	C 16	59.60.3337	100n	CER	50V, 10%, X7R, 0805	0	IC 9	50.62.0910	CS8402A	Dig audio interface transmit	0	R 28	57.60.1104	100K	MF	1%, 0204, E24	0	RA 5	58.01.9503	50K	Cermet	10%, 0.5W, vertical	
0	C 17	59.68.0029	100u	EL	6V, 6.3*5.7	0	IC 10	50.60.0124	2142	Audio balanced line driver	0	R 29	57.60.1153	15K	MF	1%, 0204, E24	0	RA 6	58.01.9103	10K	Cermet	10%, 0.5W, vertical	
0	C 18	59.60.3337	100n	CER	50V, 10%, X7R, 0805	0	IC 11	50.61.0204	MC33078	Dual Op-Amp low noise	0	R 30	57.60.1153	15K	MF	1%, 0204, E24	0	RA 7	58.01.9503	50K	Cermet	10%, 0.5W, vertical	
0	C 19	59.68.0108	100u	EL	35V, 5.0*5.7	0	IC 12	50.61.0204	MC33078	Dual Op-Amp low noise	0	R 31	57.60.1270	27R	MF	1%, 0204, E24	0	T 1	1.022.647.00	1:1.4	OUTPUT TRAF0 AES/EBU		
0	C 20	59.63.0113	10n	PEN	50V, 5%, 1206	0	IC 13	50.61.0204	MC33078	Dual Op-Amp low noise	0	R 32	57.60.1270	27R	MF	1%, 0204, E24	0	T 2	1.022.456.00	1:2.24	INGANGSTRAFO 1:2,24		
0	C 21	59.63.0113	10n	PEN	50V, 5%, 1206	0	IC 14	50.61.8102	CS5330A	A/D Converter 18Bit Stt SO 8	0	R 33	57.60.1153	15K	MF	1%, 0204, E24	0	T 4	1.022.456.00	1:2.24	INGANGSTRAFO 1:2,24		
0	C 22	59.68.0065	100u	EL	16V, 4.0*5.7	0	IC 15	50.32.8053	HC4053	Triple 2ch analog mux/demux	0	R 34	57.60.1223	22K	MF	1%, 0204, E24	0	TP 1	54.33.8010	2.8*0.8	PCB-Flachstecker, gerade		
0	C 23	59.60.2253	150p	CER	50V, 5%, CGO, 0603	0	IC 16	50.39.0124	2142	Audio balanced line driver	0	R 35	57.60.1153	15K	MF	1%, 0204, E24	0	TP 2	54.33.8010	2.8*0.8	PCB-Flachstecker, gerade		
0	C 24	59.60.2249	100p	CER	50V, 5%, CGO, 0603	0	IC 17	50.32.1595	74HC595	8bit shift/output register	0	R 36	57.60.1153	15K	MF	1%, 0204, E24	0	TP 3	54.33.8010	2.8*0.8	PCB-Flachstecker, gerade		
0	C 25	59.68.0065	100u	EL	16V, 4.0*5.7	0	IC 18	50.32.8053	HC4053	Triple 2ch analog mux/demux	0	R 37	57.60.1105	1M	MF	1%, 0204, E24	2	TP 4	not used	2.8*0.8	PCB-Flachstecker, gerade		
0	C 26	59.60.3337	100n	CER	50V, 10%, X7R, 0805	0	IC 19	50.61.0204	MC33078	Dual Op-Amp low noise	0	R 38	57.60.1104	100K	MF	1%, 0204, E24	0	TP 5	54.33.8010	2.8*0.8	PCB-Flachstecker, gerade		
0	C 27	59.63.0125	100n	PEN	50V, 5%, 1812	0	IC 20	50.60.0124	2142	Audio balanced line driver	0	R 39	57.60.1153	15K	MF	1%, 0204, E24	0	TP 6	54.33.8010	2.8*0.8	PCB-Flachstecker, gerade		
0	C 28	59.63.0125	100n	PEN	50V, 5%, 1812	0	IC 21	50.60.0124	2142	Audio balanced line driver	0	R 40	57.60.1182	1K8	MF	1%, 0204, E24	0	TP 7	54.33.8010	2.8*0.8	PCB-Flachstecker, gerade		
0	C 29	59.68.0065	100u	EL	16V, 4.0*5.7	0	IC 22	50.62.8053	HC4053	Triple 2ch analog mux/demux	0	R 41	57.60.1153	15K	MF	1%, 0204, E24	0	Y 1	89.01.1015	12.28MHz	XTAL HC 49/U		
0	C 30	59.60.3337	100n	CER	50V, 10%, X7R, 0805	0	IC 23	50.61.0204	MC33078	Dual Op-Amp low noise	0	R 42	57.60.1221	220R	MF	1%, 0204, E24							
0	C 31	59.60.3337	100n	CER	50V, 10%, X7R, 0805	0	IC 24	50.61.0204	MC33078	Dual Op-Amp low noise	0	R 43	57.60.1153	15K	MF	1%, 0204, E24							
0	C 32	59.60.3337	100n	CER	50V, 10%, X7R, 0805	0	IC 25	50.61.0204	MC33078	Dual Op-Amp low noise	0	R 44	57.60.1104	100K	MF	1%, 0204, E24							
0	C 33	59.60.3337	100n	CER	50V, 10%, X7R, 0805	0	IC 26	50.31.0204	MC33078	Dual Op-Amp low noise	0	R 45	57.60.1153	15K	MF	1%, 0204, E24							
0	C 34	59.68.0065	100u	EL	16V, 4.0*5.7	0	IC 27	50.31.0204	MC33078	Dual Op-Amp low noise	0	R 46	57.60.1153	15K	MF	1%, 0204, E24							
0	C 35	59.60.2253	150p	CER	50V, 5%, CGO, 0603	0	IC 28	50.61.0204	MC33078	Dual Op-Amp low noise	0	R 47	57.60.1153	15K	MF	1%, 0204, E24							
0	C 36	59.60.3337	100n	CER	50V, 10%, X7R, 0805	0	IC 29	50.11.0140	THAT2181C	IC VCA THAT 2181C	0	R 48	57.60.1104	100K	MF	1%, 0204, E24							
0	C 37	59.60.2249	100p	CER	50V, 5%, CGO, 0603	0	IC 30	50.11.0140	THAT2181C	IC VCA THAT 2181C	0	R 49	57.60.1153	15K	MF	1%, 0204, E24							
0	C 38	59.68.0065	100u	EL	16V, 4.0*5.7	0	IC 31	50.39.0101	TL072	IC TL 072 2N A	0	R 50	57.60.1273	27K	MF	1%, 0204, E24							
0	C 39	59.68.0065	100u	EL	16V, 4.0*5.7	0	IC 32	50.39.0124	2142	Audio balanced line driver	0	R 51	57.60.1273	27K	MF	1%, 0204, E24							
0	C 40	59.60.3337	100n	CER	50V, 10%, X7R, 0805	0	MP 1	1.917.421.12		TALKBACK SEL SIDEBBOARD PC3	0	R 52	57.60.1391	390R	MF	1%, 0204, E24							
0	C 41	59.60.2253	150p	CER	50V, 5%, CGO, 0603	0	MP 2	43.31.0108		Label	0	R 53	57.60.1153	15K	MF	1%, 0204, E24							
0	C 42	59.68.0065	100u	EL	16V, 4.0*5.7	0	MP 3	1.917.421.04		ES-EWARNSCHILD	0	R 54	57.60.1104	100K	MF	1%, 0204, E24							
0	C 43	59.68.0065	100u	EL	16V, 4.0*5.7	0	MP 4	1.022.400.03	2 pcs	NR-ETIKETTE 5 X 20	0	R 55	57.60.1153	15K	MF	1%, 0204, E24							
0	C 44	59.60.3337	100n	CER	50V, 10%, X7R, 0805	0	MP 5	54.31.0021	5 pcs	Jumper	0	R 56	57.60.1102	1K	MF	1%, 0204, E24							
0	C 45	59.68.0029	100u	EL	6V, 6.3*5.7	0	MP 6	89.31.1499		QUARZ - ISOLIERPLATTE	0	R 57	57.60.1102	1K	MF	1%, 0204, E24							
0	C 46	59.60.3337	100n	CER	50V, 10%, X7R, 0805	3	MP 7	43.10.0110		Revisions-Etikette 5mm h/blau	0	R 60	57.60.1123	12K	MF	1%, 0204, E24							
0	C 47	59.68.0065	100u	EL	16V, 4.0*5.7	0	P 1	54.31.0020	1p	Pin 0.83*0.63	0	R 61	57.60.1123	12K	MF	1%, 0204, E24							
0	C 48	59.60.3337	100n	CER	50V, 10%, X7R, 0805	0	P 2	54.14.5520	2cp	PCB-Buchse gerade	0	R 63	57.60.1000	0R0	MF	0204							
0	C 49	59.60.2249	100p	CER	50V, 5%, CGO, 0603	0	P 3	54.14.5520	2cp	PCB-Buchse gerade	0	R 64	57.60.1104	100K	MF	1%, 0204, E24							
0	C 50	59.60.2249	100p	CER	50V, 5%, CGO, 0603	0	P 4	54.31.0020	1p	Pin 0.83*0.63	0	R 65	57.60.1000	0R0	MF	0204							
0	C 51	59.68.0065	100u	EL	16V, 4.0*5.7	0	P 5	54.31.0020	1p	Pin 0.83*0.63	0	R 66	57.60.1104	100K	MF	1%, 0204, E24							
0	C 52	59.68.0127	1u0	EL	50V, 4.0*5.7	0	P 6	54.31.0020	1p	Pin 0.83*0.63	0	R 67	57.60.1335	3M3	MF	1%, 0204, E24							
0	C 53	59.68.0065	100u	EL	16V, 4.0*5.7	0	P 7	54.31.0020	1p	Pin 0.83*0.63	0	R 68	57.60.1391	390R	MF	1%, 0204, E24							
0	C 54	59.68.0065	100u	EL	16V, 4.0*5.7	0	P 8	54.31.0020	1p	Pin 0.83*0.63	0	R 69	57.60.1512	5K1	MF	1%, 0204, E24							

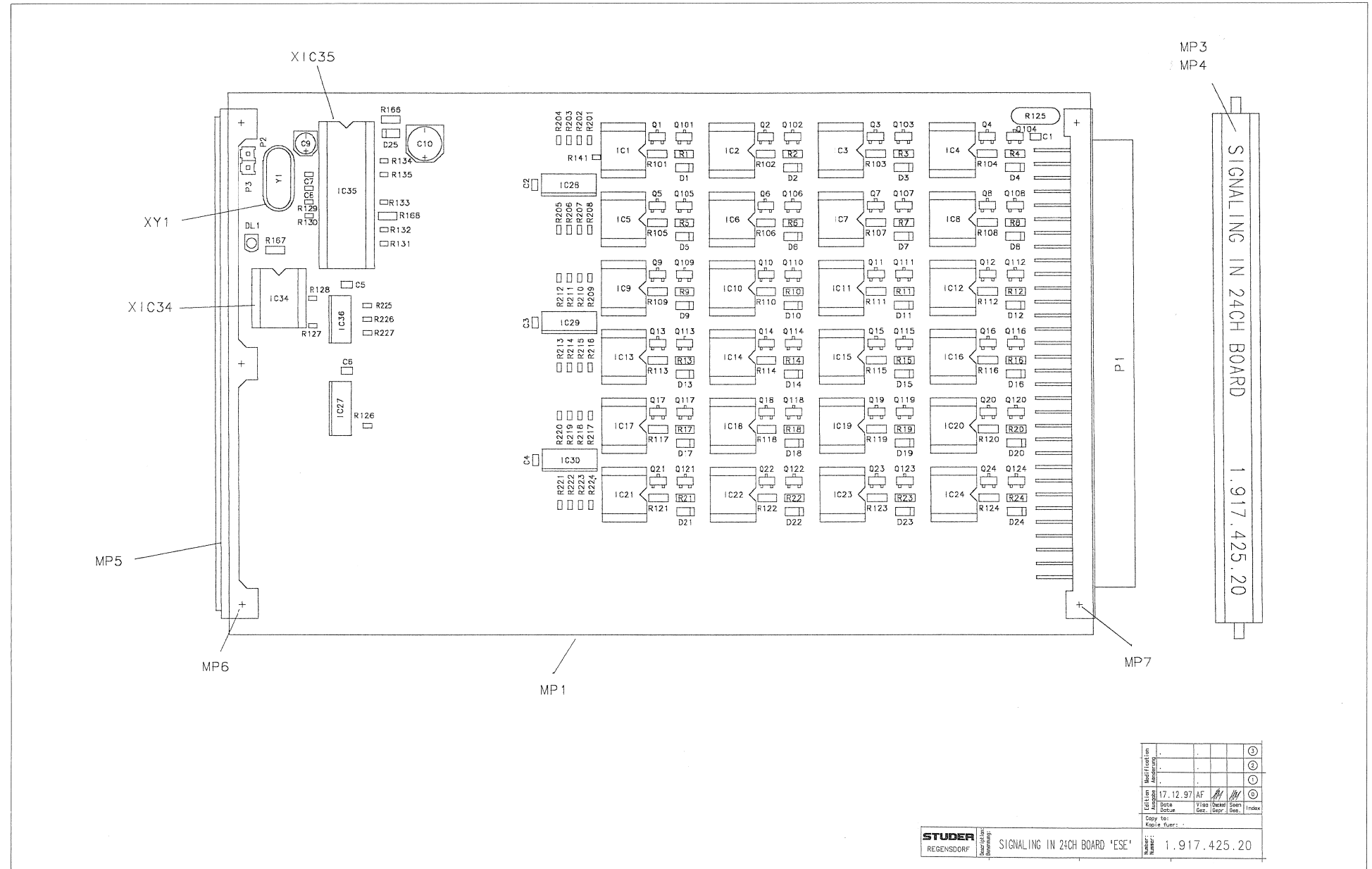


Signaling IN 24CH Board I.917.425.20





Signaling IN 24CH Board 1.917.425.20



Edition	17.12.97	AF						
Author								
Designer								
Drawn								
Checked								
Approved								

STUDER
REGENSDORF

Number: 1.917.425.20

Signal: SIGNALING IN 24CH BOARD "ESE"

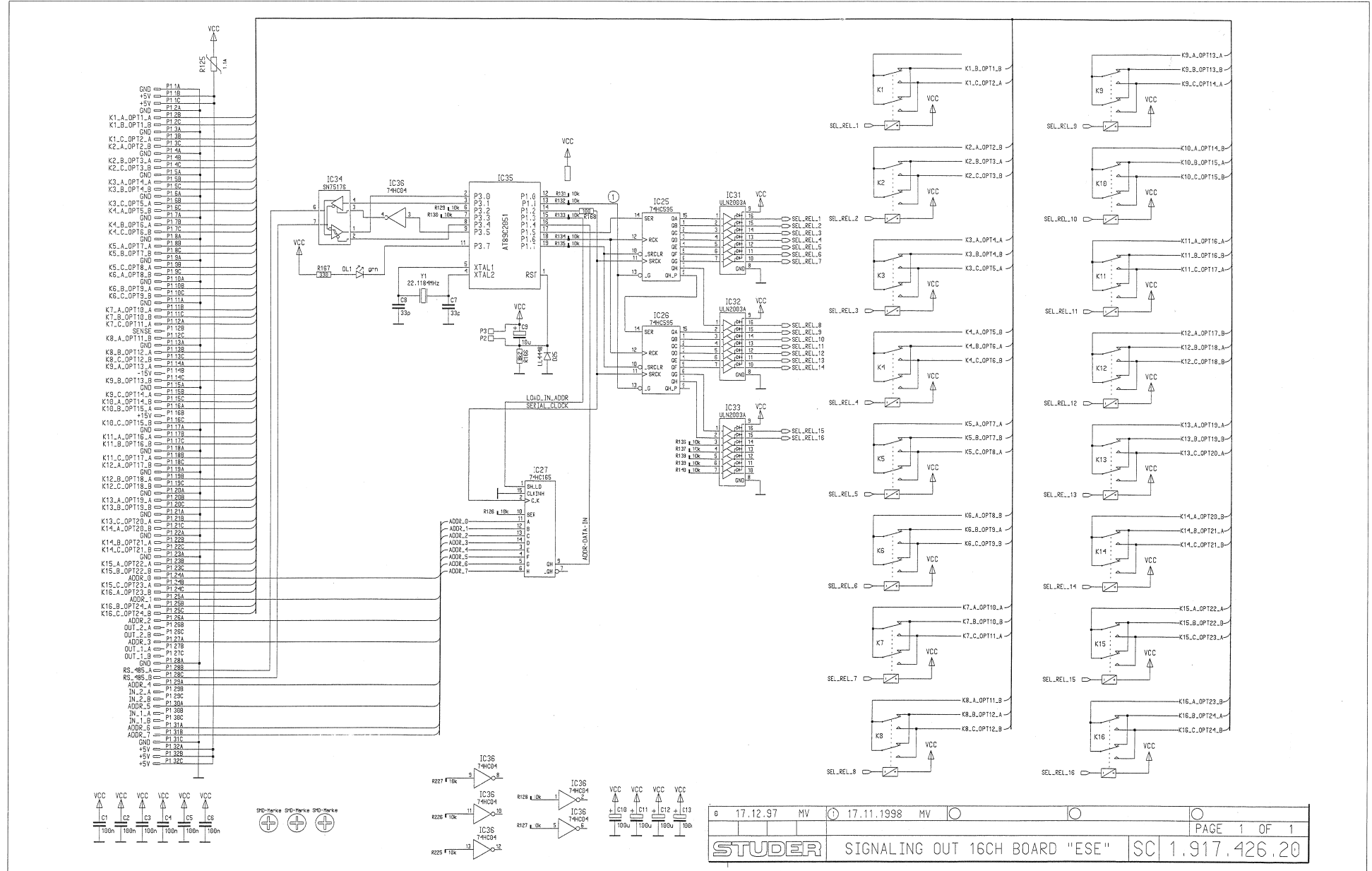


Signaling IN 24CH Board 1.917.425.22

Idx. Pos.	Part No.	Qty.	Type/Val.	Description	Idx. Pos.	Part No.	Qty.	Type/Val.	Description	Idx. Pos.	Part No.	Qty.	Type/Val.	Description
0	C 1	59.60.3337	100n	CER 50V, 10%, X7R, 0805	0	P 2	54.01.0020	1p	Pin 0.63*0.63	0	R 106	57.60.1223	22K	MF, 1%, 0204, E24
0	C 2	59.60.3337	100n	CER 50V, 10%, X7R, 0805	0	P 3	54.01.0020	1p	Pin 0.63*0.63	0	R 107	57.60.1223	22K	MF, 1%, 0204, E24
0	C 3	59.60.3337	100n	CER 50V, 10%, X7R, 0805	0	Q 1	50.60.1001	BC857B	Q BC 857 B, SOT 23	0	R 108	57.60.1223	22K	MF, 1%, 0204, E24
0	C 4	59.60.3337	100n	CER 50V, 10%, X7R, 0805	0	Q 2	50.60.1001	BC857B	Q BC 857 B, SOT 23	0	R 110	57.60.1223	22K	MF, 1%, 0204, E24
0	C 5	59.60.3337	100n	CER 50V, 10%, X7R, 0805	0	Q 3	50.60.1001	BC857B	Q BC 857 B, SOT 23	0	R 111	57.60.1223	22K	MF, 1%, 0204, E24
0	C 6	59.60.3337	100n	CER 50V, 10%, X7R, 0805	0	Q 4	50.60.1001	BC857B	Q BC 857 B, SOT 23	0	R 112	57.60.1223	22K	MF, 1%, 0204, E24
0	C 7	59.60.2237	33p	CER 50V, 5%, COG, 0503	0	Q 5	50.60.1001	BC857B	Q BC 857 B, SOT 23	0	R 113	57.60.1223	22K	MF, 1%, 0204, E24
0	C 8	59.60.2237	33p	CER 50V, 5%, COG, 0503	0	Q 6	50.60.1001	BC857B	Q BC 857 B, SOT 23	0	R 114	57.60.1223	22K	MF, 1%, 0204, E24
0	C 9	59.68.0065	10u	C-EL 16V, 4.0*5.7	0	Q 7	50.60.1001	BC857B	Q BC 857 B, SOT 23	0	R 115	57.60.1223	22K	MF, 1%, 0204, E24
0	C 10	59.68.0029	100u	C-EL 6V, 6.3*5.7	0	Q 8	50.60.1001	BC857B	Q BC 857 B, SOT 23	0	R 116	57.60.1223	22K	MF, 1%, 0204, E24
0	D 1	50.60.8001	4448	D LL 4448 SOD 80	0	Q 9	50.60.1001	BC857B	Q BC 857 B, SOT 23	0	R 117	57.60.1223	22K	MF, 1%, 0204, E24
0	D 2	50.60.8001	4448	D LL 4448 SOD 80	0	Q 10	50.60.1001	BC857B	Q BC 857 B, SOT 23	0	R 118	57.60.1223	22K	MF, 1%, 0204, E24
0	D 3	50.60.8001	4448	D LL 4448 SOD 80	0	Q 11	50.60.1001	BC857B	Q BC 857 B, SOT 23	0	R 119	57.60.1223	22K	MF, 1%, 0204, E24
0	D 4	50.60.8001	4448	D LL 4448 SOD 80	0	Q 12	50.60.1001	BC857B	Q BC 857 B, SOT 23	0	R 120	57.60.1223	22K	MF, 1%, 0204, E24
0	D 5	50.60.8001	4448	D LL 4448 SOD 80	0	Q 13	50.60.1001	BC857B	Q BC 857 B, SOT 23	0	R 121	57.60.1223	22K	MF, 1%, 0204, E24
0	D 6	50.60.8001	4448	D LL 4448 SOD 80	0	Q 14	50.60.1001	BC857B	Q BC 857 B, SOT 23	0	R 122	57.60.1223	22K	MF, 1%, 0204, E24
0	D 7	50.60.8001	4448	D LL 4448 SOD 80	0	Q 15	50.60.1001	BC857B	Q BC 857 B, SOT 23	0	R 123	57.60.1223	22K	MF, 1%, 0204, E24
0	D 8	50.60.8001	4448	D LL 4448 SOD 80	0	Q 16	50.60.1001	BC857B	Q BC 857 B, SOT 23	0	R 124	57.60.1223	22K	MF, 1%, 0204, E24
0	D 9	50.60.8001	4448	D LL 4448 SOD 80	0	Q 17	50.60.1001	BC857B	Q BC 857 B, SOT 23	0	R 125	57.62.7051	1.1A	POLY- PTC, 30V
0	D 10	50.60.8001	4448	D LL 4448 SOD 80	0	Q 18	50.60.1001	BC857B	Q BC 857 B, SOT 23	0	R 126	57.69.1037	10k	Chip 0603, 5%, carbon
0	D 11	50.60.8001	4448	D LL 4448 SOD 80	0	Q 19	50.60.1001	BC857B	Q BC 857 B, SOT 23	0	R 127	57.69.1037	10k	Chip 0603, 5%, carbon
0	D 12	50.60.8001	4448	D LL 4448 SOD 80	0	Q 20	50.60.1001	BC857B	Q BC 857 B, SOT 23	0	R 128	57.69.1037	10k	Chip 0603, 5%, carbon
0	D 13	50.60.8001	4448	D LL 4448 SOD 80	0	Q 21	50.60.1001	BC857B	Q BC 857 B, SOT 23	0	R 129	57.69.1037	10k	Chip 0603, 5%, carbon
0	D 14	50.60.8001	4448	D LL 4448 SOD 80	0	Q 22	50.60.1001	BC857B	Q BC 857 B, SOT 23	0	R 130	57.69.1037	10k	Chip 0603, 5%, carbon
0	D 15	50.60.8001	4448	D LL 4448 SOD 80	0	Q 23	50.60.1001	BC857B	Q BC 857 B, SOT 23	0	R 131	57.69.1037	10k	Chip 0603, 5%, carbon
0	D 16	50.60.8001	4448	D LL 4448 SOD 80	0	Q 24	50.60.1001	BC857B	Q BC 857 B, SOT 23	0	R 132	57.69.1037	10k	Chip 0603, 5%, carbon
0	D 17	50.60.8001	4448	D LL 4448 SOD 80	0	Q 101	50.60.1001	BC857B	Q BC 857 B, SOT 23	0	R 133	57.69.1037	10k	Chip 0603, 5%, carbon
0	D 18	50.60.8001	4448	D LL 4448 SOD 80	0	Q 102	50.60.1001	BC857B	Q BC 857 B, SOT 23	0	R 134	57.69.1037	10k	Chip 0603, 5%, carbon
0	D 19	50.60.8001	4448	D LL 4448 SOD 80	0	Q 103	50.60.1001	BC857B	Q BC 857 B, SOT 23	0	R 135	57.69.1037	10k	Chip 0603, 5%, carbon
0	D 20	50.60.8001	4448	D LL 4448 SOD 80	0	Q 104	50.60.1001	BC857B	Q BC 857 B, SOT 23	0	R 141	57.69.1037	10k	Chip 0603, 5%, carbon
0	D 21	50.60.8001	4448	D LL 4448 SOD 80	0	Q 105	50.60.1001	BC857B	Q BC 857 B, SOT 23	0	R 166	57.60.1822	8K2	MF, 1%, 0204, E24
0	D 22	50.60.8001	4448	D LL 4448 SOD 80	0	Q 106	50.60.1001	BC857B	Q BC 857 B, SOT 23	0	R 167	57.60.1331	330R	MF, 1%, 0204, E24
0	D 23	50.60.8001	4448	D LL 4448 SOD 80	0	Q 107	50.60.1001	BC857B	Q BC 857 B, SOT 23	0	R 168	57.60.1000	0R0	MF, 0204
0	D 24	50.60.8001	4448	D LL 4448 SOD 80	0	Q 108	50.60.1001	BC857B	Q BC 857 B, SOT 23	0	R 201	57.69.1037	10k	Chip 0603, 5%, carbon
0	D 25	50.60.8001	4448	D LL 4448 SOD 80	0	Q 109	50.60.1001	BC857B	Q BC 857 B, SOT 23	0	R 202	57.69.1037	10k	Chip 0603, 5%, carbon
0	DL 1	50.04.2132	TLUG 2401	DL TLUG 2401 GN MATT	0	Q 110	50.60.1001	BC857B	Q BC 857 B, SOT 23	0	R 203	57.69.1037	10k	Chip 0603, 5%, carbon
0	IC 1	50.99.0126	4N26	Optocoupler	0	Q 111	50.60.1001	BC857B	Q BC 857 B, SOT 23	0	R 204	57.69.1037	10k	Chip 0603, 5%, carbon
0	IC 2	50.99.0126	4N26	Optocoupler	0	Q 112	50.60.1001	BC857B	Q BC 857 B, SOT 23	0	R 205	57.69.1037	10k	Chip 0603, 5%, carbon
0	IC 3	50.99.0126	4N26	Optocoupler	0	Q 113	50.60.1001	BC857B	Q BC 857 B, SOT 23	0	R 206	57.69.1037	10k	Chip 0603, 5%, carbon
0	IC 4	50.99.0126	4N26	Optocoupler	0	Q 114	50.60.1001	BC857B	Q BC 857 B, SOT 23	0	R 207	57.69.1037	10k	Chip 0603, 5%, carbon
0	IC 5	50.99.0126	4N26	Optocoupler	0	Q 115	50.60.1001	BC857B	Q BC 857 B, SOT 23	0	R 208	57.69.1037	10k	Chip 0603, 5%, carbon
0	IC 6	50.99.0126	4N26	Optocoupler	0	Q 116	50.60.1001	BC857B	Q BC 857 B, SOT 23	0	R 209	57.69.1037	10k	Chip 0603, 5%, carbon
0	IC 7	50.99.0126	4N26	Optocoupler	0	Q 117	50.60.1001	BC857B	Q BC 857 B, SOT 23	0	R 210	57.69.1037	10k	Chip 0603, 5%, carbon
0	IC 8	50.99.0126	4N26	Optocoupler	0	Q 118	50.60.1001	BC857B	Q BC 857 B, SOT 23	0	R 211	57.69.1037	10k	Chip 0603, 5%, carbon
0	IC 9	50.99.0126	4N26	Optocoupler	0	Q 119	50.60.1001	BC857B	Q BC 857 B, SOT 23	0	R 212	57.69.1037	10k	Chip 0603, 5%, carbon
0	IC 10	50.99.0126	4N26	Optocoupler	0	Q 120	50.60.1001	BC857B	Q BC 857 B, SOT 23	0	R 213	57.69.1037	10k	Chip 0603, 5%, carbon
0	IC 11	50.99.0126	4N26	Optocoupler	0	Q 121	50.60.1001	BC857B	Q BC 857 B, SOT 23	0	R 214	57.69.1037	10k	Chip 0603, 5%, carbon
0	IC 12	50.99.0126	4N26	Optocoupler	0	Q 122	50.60.1001	BC857B	Q BC 857 B, SOT 23	0	R 215	57.69.1037	10k	Chip 0603, 5%, carbon
0	IC 13	50.99.0126	4N26	Optocoupler	0	Q 123	50.60.1001	BC857B	Q BC 857 B, SOT 23	0	R 216	57.69.1037	10k	Chip 0603, 5%, carbon
0	IC 14	50.99.0126	4N26	Optocoupler	0	Q 124	50.60.1001	BC857B	Q BC 857 B, SOT 23	0	R 217	57.69.1037	10k	Chip 0603, 5%, carbon
0	IC 15	50.99.0126	4N26	Optocoupler	0	R 1	57.60.1680	68R	MF, 1%, 0204, E24	0	R 218	57.69.1037	10k	Chip 0603, 5%, carbon
0	IC 16	50.99.0126	4N26	Optocoupler	0	R 2	57.60.1680	68R	MF, 1%, 0204, E24	0	R 219	57.69.1037	10k	Chip 0603, 5%, carbon
0	IC 17	50.99.0126	4N26	Optocoupler	0	R 3	57.60.1680	68R	MF, 1%, 0204, E24	0	R 220	57.69.1037	10k	Chip 0603, 5%, carbon
0	IC 18	50.99.0126	4N26	Optocoupler	0	R 4	57.60.1680	68R	MF, 1%, 0204, E24	0	R 221	57.69.1037	10k	Chip 0603, 5%, carbon
0	IC 19	50.99.0126	4N26	Optocoupler	0	R 5	57.60.1680	68R	MF, 1%, 0204, E24	0	R 222	57.69.1037	10k	Chip 0603, 5%, carbon
0	IC 20	50.99.0126	4N26	Optocoupler	0	R 6	57.60.1680	68R	MF, 1%, 0204, E24	0	R 223	57.69.1037	10k	Chip 0603, 5%, carbon
0	IC 21	50.99.0126	4N26	Optocoupler	0	R 7	57.60.1680	68R	MF, 1%, 0204, E24	0	R 224	57.69.1037	10k	Chip 0603, 5%, carbon
0	IC 22	50.99.0126	4N26	Optocoupler	0	R 8	57.60.1680	68R	MF, 1%, 0204, E24	0	R 225	57.69.1037	10k	Chip 0603, 5%, carbon
0	IC 23	50.99.0126	4N26	Optocoupler	0	R 9	57.60.1680	68R	MF, 1%, 0204, E24	0	R 226	57.69.1037	10k	Chip 0603, 5%, carbon
0	IC 24	50.99.0126	4N26	Optocoupler	0	R 10	57.60.1680	68R	MF, 1%, 0204, E24	0	R 227	57.69.1037	10k	Chip 0603, 5%, carbon
0	IC 27	50.62.1165	74HC165	74 HC 165	0	R 11	57.60.1680	68R	MF, 1%, 0204, E24	0	XIC 34	53.03.0136	8p	DIL 0.3", lot_gerade
0	IC 28	50.62.1165	74HC165	74 HC 165	0	R 12	57.60.1680	68R	MF, 1%, 0204, E24	0	XIC 35	53.03.0136	20p	DIL 0.3", lot_gerade
0	IC 29	50.62.1165	74HC165	74 HC 165	0	R 13	57.60.1680	68R	MF, 1%, 0204, E24	0	XY 1	89.01.1499		QUARZ - ISOLIERPLATTE
0	IC 30	50.62.1165	74HC165	74 HC 165	0	R 14	57.60.1680	68R	MF, 1%, 0204, E24	0	Y 1	89.01.1016	22.1184MHz	22.118 400 MHz, HC 49U
0	IC 31	50.15.0116	75176	IC SN 75176 BP, DS 3695 N,	0	R 15								

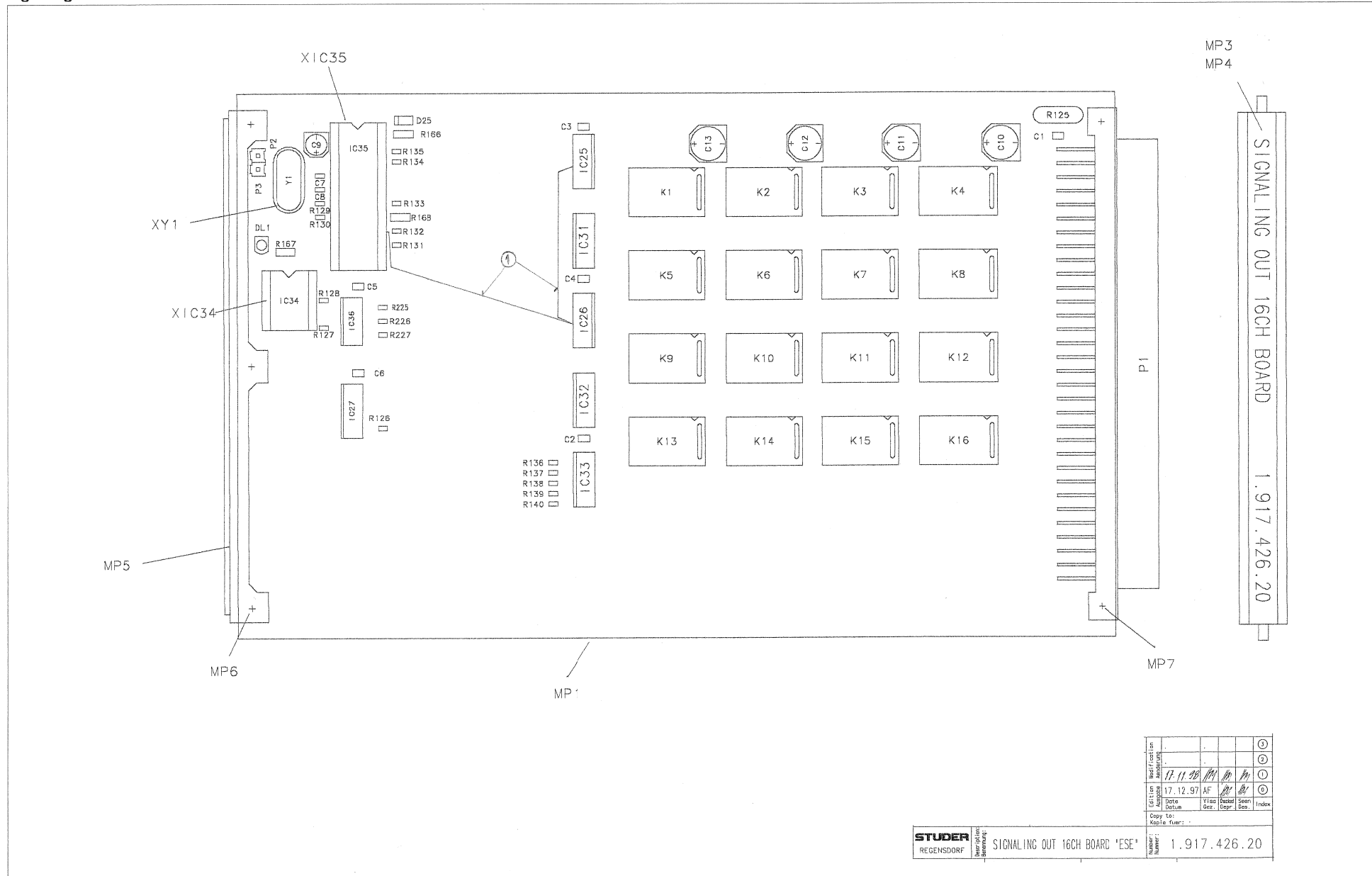


Signaling OUT 16CH Board I.917.426.20





Signaling OUT 16CH Board 1.917.426.20



Author
Editor
Designer
Date	17.12.97	AF			
Docum		Y	Doc	Seen	Index
Copy to:	Kopie fuer:				

STUDER
REGENSDORF
SIGNALLING OUT 16CH BOARD 'ESE'
Number: 1.917.426.20



Signaling OUT 16CH Board I.917.426.22

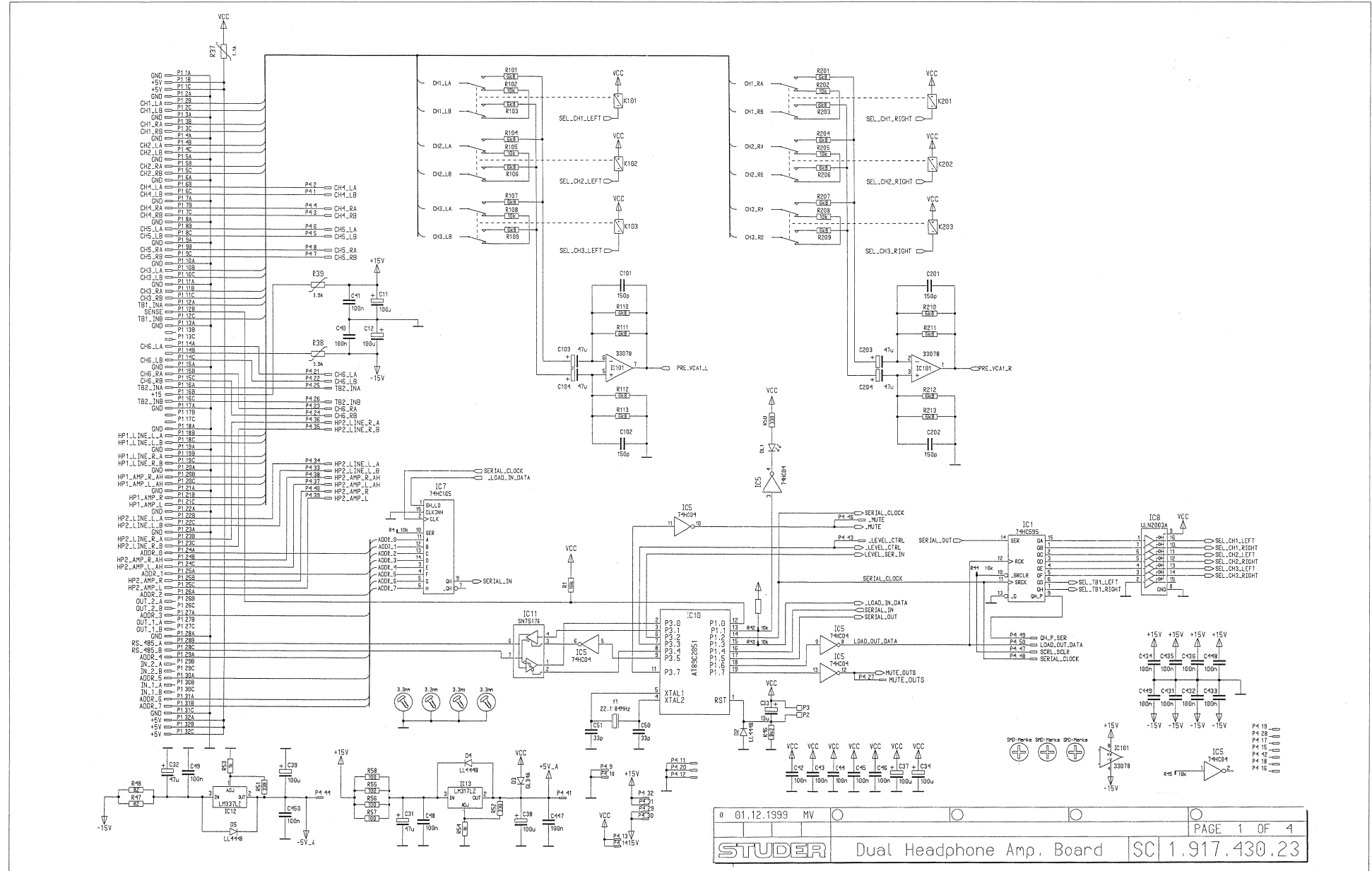
Idx	Pos.	Part No.	Qty.	Type/Val.	Description	Idx	Pos.	Part No.	Qty.	Type/Val.	Description
0	C 1	59.60.3337		100n	CER 50V, 10%, X7R, 0805	0	XIC 34	53.03.0166		8p	DIL 0.3", lot, gerade
0	C 2	59.60.3337		100n	CER 50V, 10%, X7R, 0805	0	XIC 35	53.03.0165		20p	DIL 0.3", lot, gerade
0	C 3	59.60.3337		100n	CER 50V, 10%, X7R, 0805						
0	C 4	59.60.3337		100n	CER 50V, 10%, X7R, 0805	0	XY 1	89.01.1499			QUARZ - ISOLIERPLATTE
0	C 5	59.60.3337		100n	CER 50V, 10%, X7R, 0805	0	Y 1	89.01.1016		22.1184MHZ	22.118 400 MHZ, HC 49/U
0	C 6	59.60.3337		100n	CER 50V, 10%, X7R, 0805						
0	C 7	59.60.2237		33p	CER 50V, 5%, COG, 0603						
0	C 8	59.60.2237		33p	CER 50V, 5%, COG, 0603						
0	C 9	59.68.0065		10u	C-EL 16V, 4.0*5.7						
0	C 10	59.68.0029		100u	C-EL 6V, 6.3*5.7						
0	C 11	59.68.0029		100u	C-EL 6V, 6.3*5.7						
0	C 12	59.68.0029		100u	C-EL 6V, 6.3*5.7						
0	C 13	59.68.0029		100u	C-EL 6V, 6.3*5.7						
0	D 25	50.60.8001		4448	200mA 75V 4ns SOD 80						
0	DL 1	50.04.2132		TLUG 2401	DL TLUG 2401 GN MATT						
0	IC 25	50.62.1595		74HC595	8bit shift/output register						
0	IC 26	50.62.1595		74HC595	8bit shift/output register						
0	IC 27	50.62.1165		74HC165	8bit shift register						
0	IC 31	50.62.0130		ULN2003	7*Darlington driver						
0	IC 32	50.62.0130		ULN2003	7*Darlington driver						
0	IC 33	50.62.0130		ULN2003	7*Darlington driver						
0	IC 34	50.15.0115		75176	IC SN 75176 BP, DS 3695 N,						
0	IC 35	1.950.914.22			SW 917426 SIG OUT (50.16.0313)						
0	IC 36	50.62.1004		74HC 04	Hex inverter						
0	K 1	56.04.0198		2u	5V 125V 2A Ag/Au						
0	K 2	56.04.0198		2u	5V 125V 2A Ag/Au						
0	K 3	56.04.0198		2u	5V 125V 2A Ag/Au						
0	K 4	56.04.0198		2u	5V 125V 2A Ag/Au						
0	K 5	56.04.0198		2u	5V 125V 2A Ag/Au						
0	K 6	56.04.0198		2u	5V 125V 2A Ag/Au						
0	K 7	56.04.0198		2u	5V 125V 2A Ag/Au						
0	K 8	56.04.0198		2u	5V 125V 2A Ag/Au						
0	K 9	56.04.0198		2u	5V 125V 2A Ag/Au						
0	K 10	56.04.0198		2u	5V 125V 2A Ag/Au						
0	K 11	56.04.0198		2u	5V 125V 2A Ag/Au						
0	K 12	56.04.0198		2u	5V 125V 2A Ag/Au						
0	K 13	56.04.0198		2u	5V 125V 2A Ag/Au						
0	K 14	56.04.0198		2u	5V 125V 2A Ag/Au						
0	K 15	56.04.0198		2u	5V 125V 2A Ag/Au						
0	K 16	56.04.0198		2u	5V 125V 2A Ag/Au						
1	MP 1	1.917.428.12	1 pce		SIGNALING OUT 16CH PCB						
0	MP 2	43.01.0108	1 pce	Label	ESE-WARNSCHILD						
0	MP 3	1.917.428.01	1 pce		BEZ. STREIFEN 6.3x91						
0	MP 4	1.010.098.49	1 pce		KLARSICHTSCHILD						
0	MP 5	1.010.008.33	2 pcs	Handle	GRIFFHAELFTE						
0	MP 6	28.21.1380	3 pcs	2.25*6.5	Rohrniete Ms blank						
0	MP 7	28.99.0119	2 pcs		ROHRNIETE D 2.5*0.15* 9						
1	MP 8	1.101.001.22	1 pce		TEXT-ETIK. 5*20 HARDWARE -22						
0	P 1	54.11.2009		96p	EU-R 3*32p						
0	P 2	54.01.0020		1p	Pin 0.63*0.63						
0	P 3	54.01.0020		1p	Pin 0.63*0.63						
0	R 125	57.92.7051		1.1A	POLY- PTC, 30V						
0	R 126	57.69.1097		10k	CF 5% 0603						
0	R 127	57.69.1097		10k	CF 5% 0603						
0	R 128	57.69.1097		10k	CF 5% 0603						
0	R 129	57.69.1097		10k	CF 5% 0603						
0	R 130	57.69.1097		10k	CF 5% 0603						
0	R 131	57.69.1097		10k	CF 5% 0603						
0	R 132	57.69.1097		10k	CF 5% 0603						
0	R 133	57.69.1097		10k	CF 5% 0603						
0	R 134	57.69.1097		10k	CF 5% 0603						
0	R 135	57.69.1097		10k	CF 5% 0603						
0	R 136	57.69.1097		10k	CF 5% 0603						
0	R 137	57.69.1097		10k	CF 5% 0603						
0	R 138	57.69.1097		10k	CF 5% 0603						
0	R 139	57.69.1097		10k	CF 5% 0603						
0	R 140	57.69.1097		10k	CF 5% 0603						
0	R 166	57.60.1822		8K2	MF, 1%, 0204, E24						
0	R 167	57.60.1331		330R	MF, 1%, 0204, E24						
0	R 168	57.60.1000		0R0	MF, 0204						
0	R 225	57.69.1097		10k	CF 5% 0603						
0	R 226	57.69.1097		10k	CF 5% 0603						
0	R 227	57.69.1097		10k	CF 5% 0603						

End of List

Comments
 (1) 17.11.1998 PCB has been improved

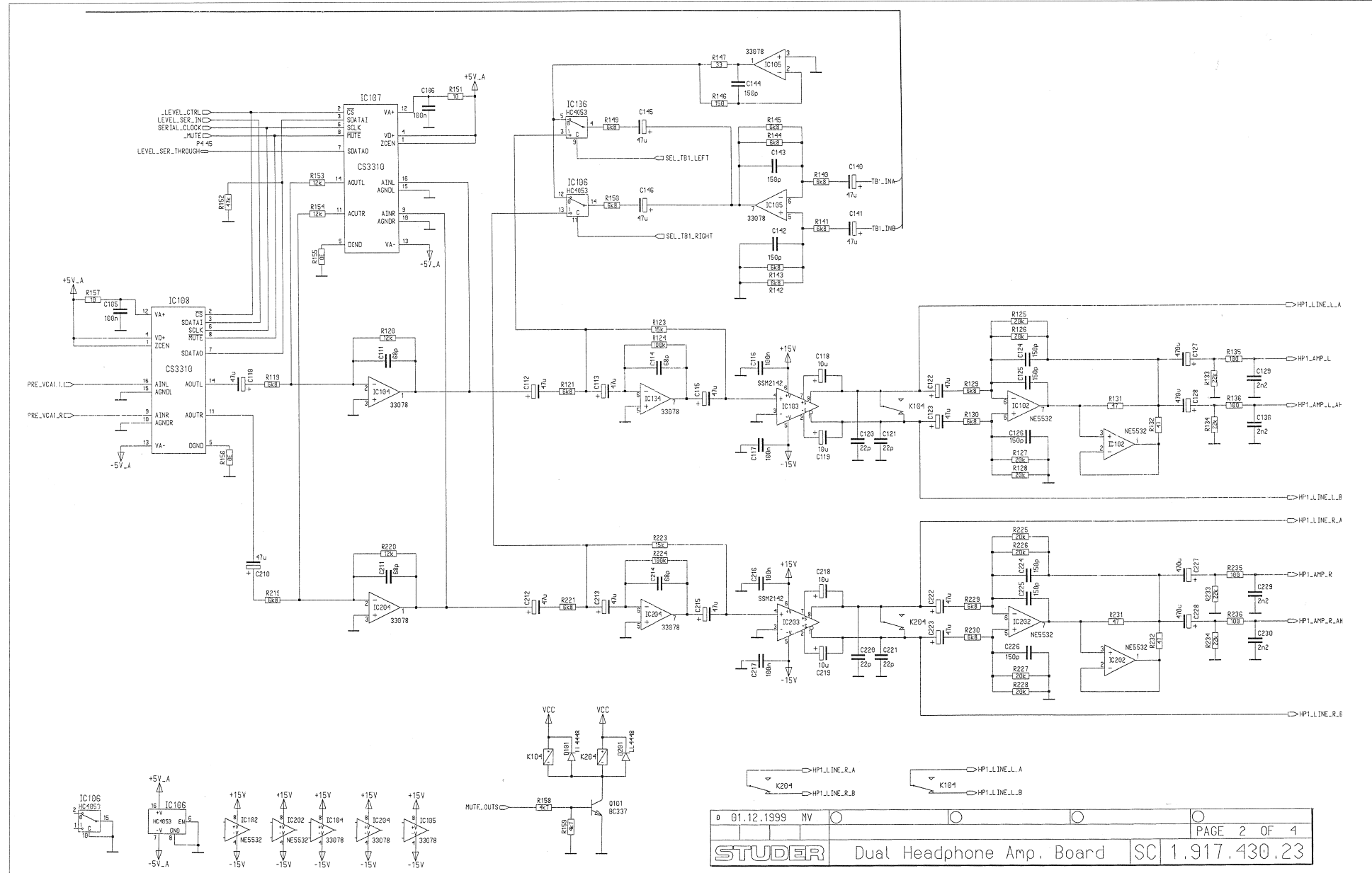


Dual Headphone Amplifier Board I.917.430.23



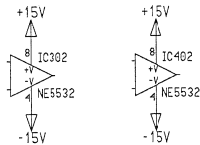
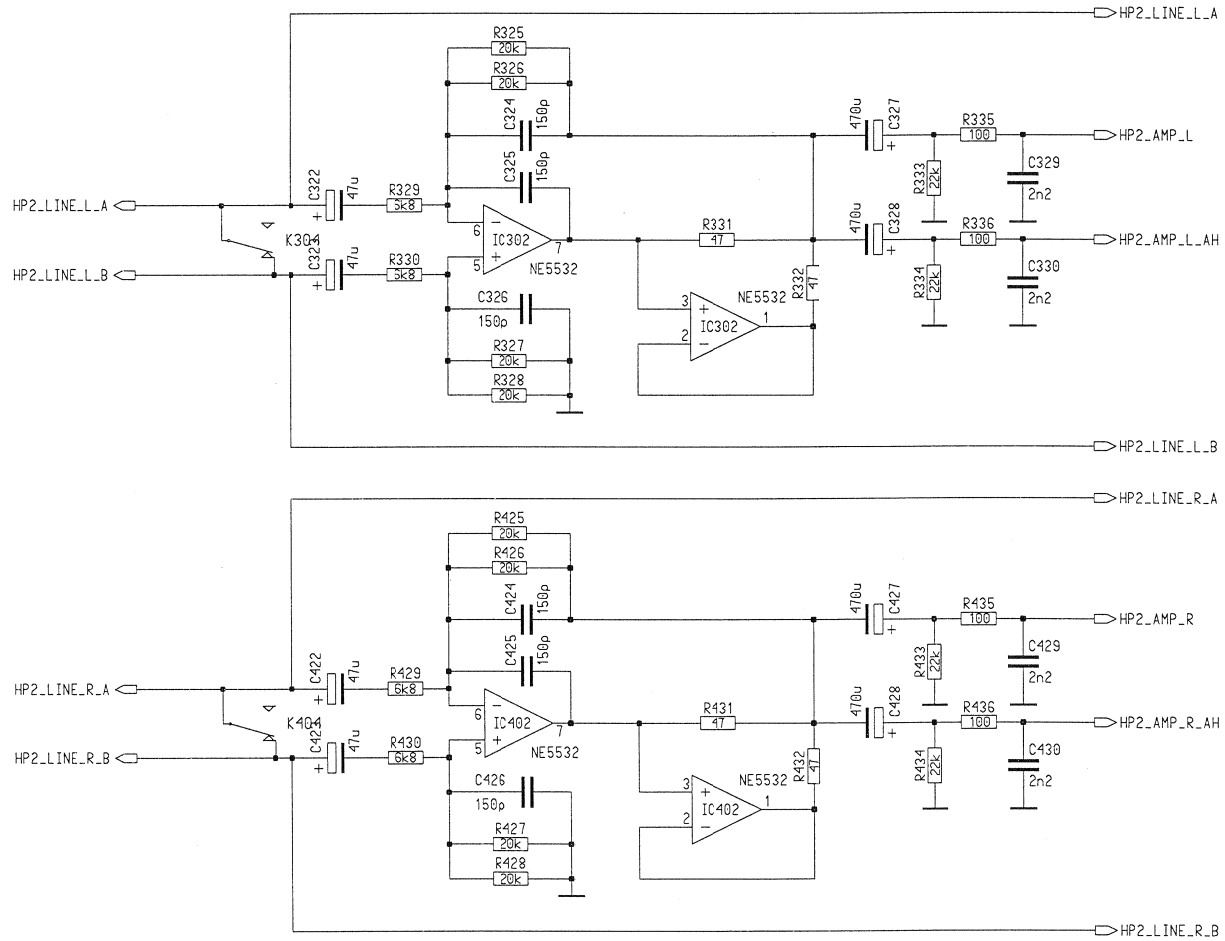


Dual Headphone Amplifier Board 1.917.430.23





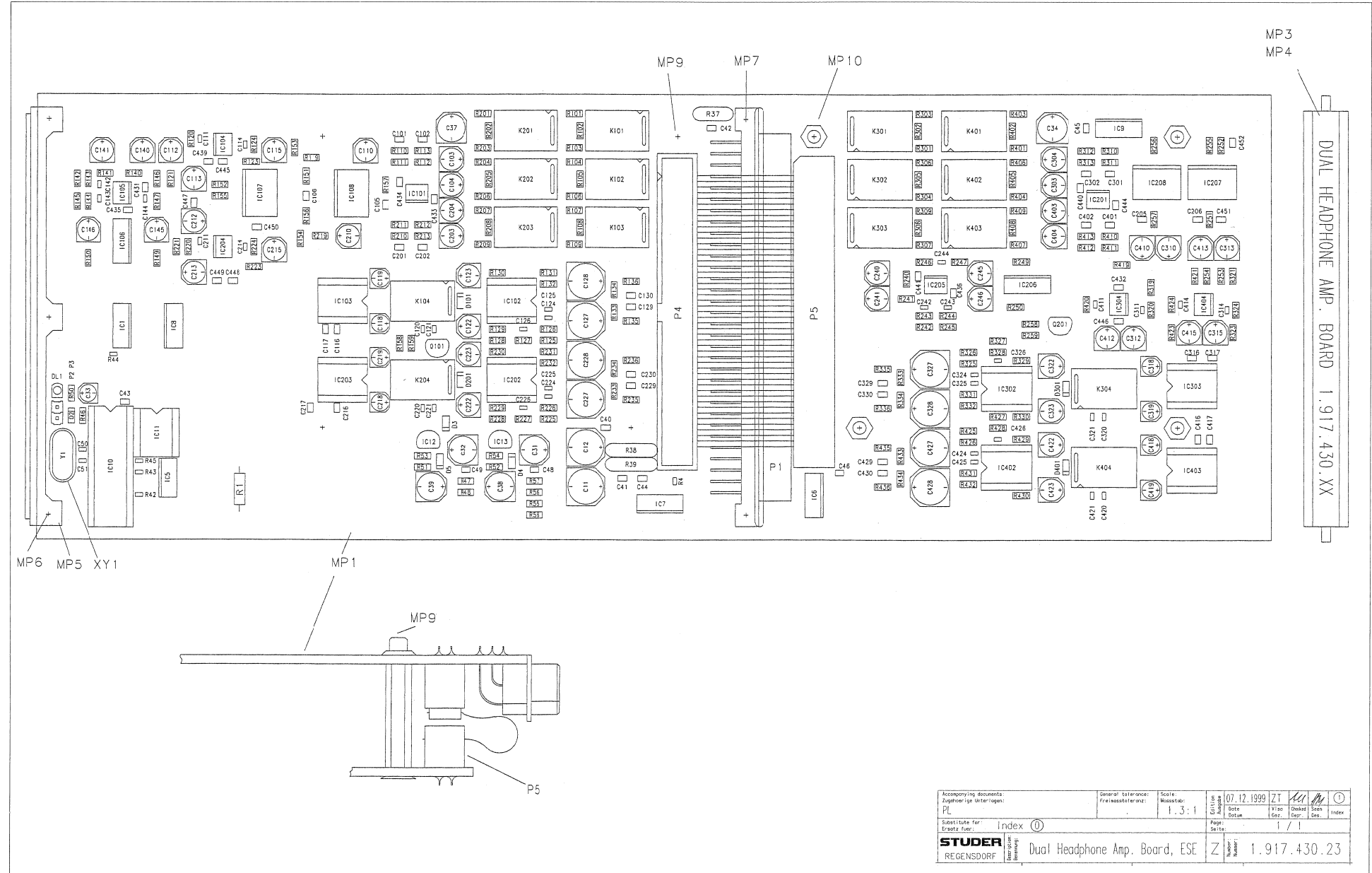
Dual Headphone Amplifier Board 1.917.430.23



Erstellt	01.12.1999	MV									
STUDER								Dual Headphone Amp. Board		SC	1.917.430.23
PAGE 4 OF 4											



Dual Headphone Amplifier Board 1.917.430.23



Accompanying documents: Zugehörige Unterlagen: PL	General tolerances: Freimaßtoleranz:	Scale: Maßstab: 1:3:1	Date: Datum: 07.12.1999	Drawn: Gezeichnet: ZT	Checked: Geprüft: [Signature]	Seen: Gesehen: [Signature]	Index: Index: ①
Substitute for: Ersatz fuer:	Index ①	Page: Seite: 1 / 1	Number: Nummer: 1.917.430.23	Dual Headphone Amp. Board, ESE			
STUDER REGENSDORF		Dual Headphone Amp. Board, ESE					



Dual Headphone Amplifier Board 1.917.430.23

Idx	Pos.	Part No.	Qty.	Type/Val.	Description	Idx	Pos.	Part No.	Qty.	Type/Val.	Description	Idx	Pos.	Part No.	Qty.	Type/Val.	Description	Idx	Pos.	Part No.	Qty.	Type/Val.	Description
0	C 11	59.68.0115	100u	EL	35V, 8.0*10.7	0	C 242	59.60.2253	150p	CER 50V, 5%, COG, 0603	0	IC 1	50.62.1595	74HC595	8bit shift/output register	0	R 52	57.60.1331	330R	MF, 1%, 0204, E24			
0	C 12	59.68.0115	100u	EL	35V, 8.0*10.7	0	C 243	59.60.2253	150p	CER 50V, 5%, COG, 0603	0	IC 5	50.62.1004	74HC 04	Hex inverter	0	R 53	57.60.1102	1K	MF, 1%, 0204, E24			
0	C 31	59.68.0069	47u	EL	16V, 6.3*5.7	0	C 244	59.60.2253	150p	CER 50V, 5%, COG, 0603	0	IC 6	50.62.1595	74HC595	8bit shift/output register	0	R 54	57.60.1102	1K	MF, 1%, 0204, E24			
0	C 32	59.68.0069	47u	EL	16V, 6.3*5.7	0	C 245	59.68.0027	47u	EL	6V, 5.0*5.7	0	IC 7	50.62.1165	74HC165	8bit shift register	0	R 55	57.60.1101	100R	MF, 1%, 0204, E24		
0	C 33	59.68.0069	10u	EL	16V, 4.0*5.7	0	C 246	59.68.0027	47u	EL	6V, 5.0*5.7	0	IC 8	50.62.0130	ULN2003	7-Darlington driver	0	R 56	57.60.1101	100R	MF, 1%, 0204, E24		
0	C 34	59.68.0029	100u	EL	6V, 6.3*5.7	0	C 301	59.60.2353	150p	CER 50V, 5%, COG, 0805	0	IC 9	50.62.0130	ULN2003	7-Darlington driver	0	R 57	57.60.1101	100R	MF, 1%, 0204, E24			
0	C 37	59.68.0029	100u	EL	6V, 6.3*5.7	0	C 302	59.60.2353	150p	CER 50V, 5%, COG, 0805	0	IC 10	1.950.916.22		SW 917430 DUALHEAD (50.16.0313	0	R 58	57.60.1101	100R	MF, 1%, 0204, E24			
0	C 38	59.68.0029	100u	EL	6V, 6.3*5.7	0	C 303	59.68.0027	47u	EL	6V, 5.0*5.7	0	IC 11	50.15.0115	75176	IC SN 75176 BP, DS 3846 N,	0	R 101	57.60.1682	6K8	MF, 1%, 0204, E24		
0	C 39	59.68.0029	100u	EL	6V, 6.3*5.7	0	C 304	59.68.0027	47u	EL	6V, 5.0*5.7	0	IC 12	50.10.0109	LM337L	Series regulator 100mA...+37V	0	R 102	57.60.1103	10K	MF, 1%, 0204, E24		
0	C 40	59.60.3337	100n	CER 50V, 10%, X7R, 0805	0	C 310	59.68.0027	47u	EL	6V, 5.0*5.7	0	IC 13	50.10.0108	LM317L	Series regulator 100mA...+37V	0	R 103	57.60.1682	6K8	MF, 1%, 0204, E24			
0	C 41	59.60.3337	100n	CER 50V, 10%, X7R, 0805	0	C 311	59.60.2245	68p	CER 50V, 5%, COG, 0603	0	IC 101	50.61.0204	MC33078	Dual Op-Amp low noise	0	R 104	57.60.1682	6K8	MF, 1%, 0204, E24				
0	C 42	59.60.3337	100n	CER 50V, 10%, X7R, 0805	0	C 312	59.68.0027	47u	EL	6V, 5.0*5.7	0	IC 102	50.09.0106	5532AN	IC NE 5532 AN, NE 5532 AN, A	0	R 105	57.60.1103	10K	MF, 1%, 0204, E24			
0	C 43	59.60.3337	100n	CER 50V, 10%, X7R, 0805	0	C 313	59.68.0027	47u	EL	6V, 5.0*5.7	0	IC 103	50.09.0124	2142	Audio balanced line driver	0	R 106	57.60.1682	6K8	MF, 1%, 0204, E24			
0	C 44	59.60.3337	100n	CER 50V, 10%, X7R, 0805	0	C 314	59.60.2245	68p	CER 50V, 5%, COG, 0603	0	IC 104	50.61.0204	MC33078	Dual Op-Amp low noise	0	R 107	57.60.1682	6K8	MF, 1%, 0204, E24				
0	C 45	59.60.3337	100n	CER 50V, 10%, X7R, 0805	0	C 315	59.68.0027	47u	EL	6V, 5.0*5.7	0	IC 105	50.61.0204	MC33078	Dual Op-Amp low noise	0	R 108	57.60.1103	10K	MF, 1%, 0204, E24			
0	C 46	59.60.3337	100n	CER 50V, 10%, X7R, 0805	0	C 316	59.60.3337	100n	CER 50V, 10%, X7R, 0805	0	IC 106	50.62.8053	HC4053	Tripple 2ch analog mux/demux	0	R 109	57.60.1682	6K8	MF, 1%, 0204, E24				
0	C 48	59.60.3337	100n	CER 50V, 10%, X7R, 0805	0	C 317	59.60.3337	100n	CER 50V, 10%, X7R, 0805	0	IC 107	50.61.8301	CS3310	Dig volume control site SO16	0	R 110	57.60.1682	6K8	MF, 1%, 0204, E24				
0	C 49	59.60.3337	100n	CER 50V, 10%, X7R, 0805	0	C 318	59.68.0065	10u	EL	16V, 4.0*5.7	0	IC 108	50.61.8301	CS3310	Dig volume control site SO16	0	R 111	57.60.1682	6K8	MF, 1%, 0204, E24			
0	C 50	59.60.2237	33p	CER 50V, 5%, COG, 0603	0	C 319	59.68.0065	10u	EL	16V, 4.0*5.7	0	IC 201	50.61.0204	MC33078	Dual Op-Amp low noise	0	R 112	57.60.1682	6K8	MF, 1%, 0204, E24			
0	C 51	59.60.2237	33p	CER 50V, 5%, COG, 0603	0	C 320	59.60.2233	22p	CER 50V, 5%, COG, 0603	0	IC 202	50.09.0106	5532AN	IC NE 5532 AN, NE 5532 AN, A	0	R 113	57.60.1682	6K8	MF, 1%, 0204, E24				
0	C 10'	59.60.2353	150p	CER 50V, 5%, COG, 0603	0	C 321	59.60.2233	22p	CER 50V, 5%, COG, 0603	0	IC 203	50.09.0124	2142	Audio balanced line driver	0	R 119	57.60.1682	6K8	MF, 1%, 0204, E24				
0	C 102	59.60.2353	150p	CER 50V, 5%, COG, 0603	0	C 322	59.68.0027	47u	EL	6V, 5.0*5.7	0	IC 204	50.61.0204	MC33078	Dual Op-Amp low noise	0	R 120	57.60.1123	12K	MF, 1%, 0204, E24			
0	C 103	59.68.0027	47u	EL	6V, 5.0*5.7	0	C 323	59.68.0027	47u	EL	6V, 5.0*5.7	0	IC 205	50.61.0204	MC33078	Dual Op-Amp low noise	0	R 121	57.60.1682	6K8	MF, 1%, 0204, E24		
0	C 104	59.68.0027	47u	EL	6V, 5.0*5.7	0	C 324	59.60.2253	150p	CER 50V, 5%, COG, 0603	0	IC 206	50.62.8053	HC4053	Tripple 2ch analog mux/demux	0	R 123	57.60.1153	15K	MF, 1%, 0204, E24			
0	C 105	59.60.3337	100n	CER 50V, 10%, X7R, 0805	0	C 325	59.60.2253	150p	CER 50V, 5%, COG, 0603	0	IC 207	50.61.8301	CS3310	Dig volume control site SO16	0	R 124	57.60.1104	100K	MF, 1%, 0204, E24				
0	C 106	59.60.3337	100n	CER 50V, 10%, X7R, 0805	0	C 326	59.60.2253	150p	CER 50V, 5%, COG, 0603	0	IC 208	50.61.8301	CS3310	Dig volume control site SO16	0	R 125	57.60.1203	20K	MF, 1%, 0204, E24				
0	C 110	59.68.0027	47u	EL	6V, 5.0*5.7	0	C 327	59.68.0033	470u	EL	6V, 6.0*10.7	0	IC 302	50.09.0106	5532AN	IC NE 5532 AN, NE 5532 AN, A	0	R 126	57.60.1203	20K	MF, 1%, 0204, E24		
0	C 111	59.60.2245	68p	CER 50V, 5%, COG, 0603	0	C 328	59.68.0033	470u	EL	6V, 6.0*10.7	0	IC 303	50.09.0124	2142	Audio balanced line driver	0	R 127	57.60.1203	20K	MF, 1%, 0204, E24			
0	C 112	59.68.0027	47u	EL	6V, 5.0*5.7	0	C 329	59.60.3317	2n2	CER 50V, 10%, X7R, 0805	0	IC 304	50.61.0204	MC33078	Dual Op-Amp low noise	0	R 128	57.60.1203	20K	MF, 1%, 0204, E24			
0	C 113	59.68.0027	47u	EL	6V, 5.0*5.7	0	C 330	59.60.3317	2n2	CER 50V, 10%, X7R, 0805	0	IC 402	50.09.0106	5532AN	IC NE 5532 AN, NE 5532 AN, A	0	R 129	57.60.1682	6K8	MF, 1%, 0204, E24			
0	C 114	59.60.2245	68p	CER 50V, 5%, COG, 0603	0	C 401	59.60.2353	150p	CER 50V, 5%, COG, 0805	0	IC 403	50.09.0124	2142	Audio balanced line driver	0	R 130	57.60.1682	6K8	MF, 1%, 0204, E24				
0	C 115	59.68.0027	47u	EL	6V, 5.0*5.7	0	C 402	59.60.2353	150p	CER 50V, 5%, COG, 0805	0	IC 404	50.61.0204	MC33078	Dual Op-Amp low noise	0	R 131	57.60.1470	47R	MF, 1%, 0204, E24			
0	C 116	59.60.3337	100n	CER 50V, 10%, X7R, 0805	0	C 403	59.68.0027	47u	EL	6V, 5.0*5.7	0	IC 101	56.04.0198	2u	5V 125V 2A Ag/Au	0	R 132	57.60.1470	47R	MF, 1%, 0204, E24			
0	C 117	59.60.3337	100n	CER 50V, 10%, X7R, 0805	0	C 404	59.68.0027	47u	EL	6V, 5.0*5.7	0	IC 102	56.04.0198	2u	5V 125V 2A Ag/Au	0	R 133	57.60.1223	22K	MF, 1%, 0204, E24			
0	C 118	59.68.0065	10u	EL	16V, 4.0*5.7	0	C 410	59.68.0027	47u	EL	6V, 5.0*5.7	0	IC 103	56.04.0198	2u	5V 125V 2A Ag/Au	0	R 134	57.60.1223	22K	MF, 1%, 0204, E24		
0	C 119	59.68.0065	10u	EL	16V, 4.0*5.7	0	C 411	59.60.2245	68p	CER 50V, 5%, COG, 0603	0	IC 103	56.04.0198	2u	5V 125V 2A Ag/Au	0	R 135	57.60.1101	100R	MF, 1%, 0204, E24			
0	C 120	59.60.2233	22p	CER 50V, 5%, COG, 0603	0	C 412	59.68.0027	47u	EL	6V, 5.0*5.7	0	IC 104	56.04.0198	2u	5V 125V 2A Ag/Au	0	R 136	57.60.1101	100R	MF, 1%, 0204, E24			
0	C 121	59.60.2233	22p	CER 50V, 5%, COG, 0603	0	C 413	59.68.0027	47u	EL	6V, 5.0*5.7	0	IC 201	56.04.0198	2u	5V 125V 2A Ag/Au	0	R 140	57.60.1682	6K8	MF, 1%, 0204, E24			
0	C 122	59.68.0027	47u	EL	6V, 5.0*5.7	0	C 414	59.60.2245	68p	CER 50V, 5%, COG, 0603	0	IC 202	56.04.0198	2u	5V 125V 2A Ag/Au	0	R 141	57.60.1682	6K8	MF, 1%, 0204, E24			
0	C 123	59.68.0027	47u	EL	6V, 5.0*5.7	0	C 415	59.68.0027	47u	EL	6V, 5.0*5.7	0	IC 203	56.04.0198	2u	5V 125V 2A Ag/Au	0	R 142	57.60.1682	6K8	MF, 1%, 0204, E24		
0	C 124	59.60.2253	150p	CER 50V, 5%, COG, 0603	0	C 416	59.60.3337	100n	CER 50V, 10%, X7R, 0805	0	IC 204	56.04.0198	2u	5V 125V 2A Ag/Au	0	R 143	57.60.1682	6K8	MF, 1%, 0204, E24				
0	C 125	59.60.2253	150p	CER 50V, 5%, COG, 0603	0	C 417	59.60.3337	100n	CER 50V, 10%, X7R, 0805	0	IC 302	56.04.0198	2u	5V 125V 2A Ag/Au	0	R 144	57.60.1682	6K8	MF, 1%, 0204, E24				
0	C 126	59.60.2253	150p	CER 50V, 5%, COG, 0603	0	C 418	59.68.0065	10u	EL	16V, 4.0*5.7	0	IC 303	56.04.0198	2u	5V 125V 2A Ag/Au	0	R 145	57.60.1682	6K8	MF, 1%, 0204, E24			
0	C 127	59.68.0033	470u	EL	6V, 6.0*10.7	0	C 419	59.68.0065	10u	EL	16V, 4.0*5.7	0	IC 304	56.04.0198	2u	5V 125V 2A Ag/Au	0	R 146	57.60.1151	150R	MF, 1%, 0204, E24		
0	C 128	59.68.0033	470u	EL	6V, 6.0*10.7	0	C 420	59.60.2233	22p	CER 50V, 5%, COG, 0603	0	IC 304	56.04.0198	2u	5V 125V 2A Ag/Au	0	R 147	57.60.1330	33R	MF, 1%, 0204, E24			
0	C 129	59.60.3317	2n2	CER 50V, 10%, X7R, 0805	0	C 421	59.60.2233	22p	CER 50V, 5%, COG, 0603	0	IC 401	56.04.0198	2u	5V 125V 2A Ag/Au	0								



Dual Headphone Amplifier Board I.917.430.23

Idx	Pos.	Part No.	Qty.	Type/Val.	Description	Idx	Pos.	Part No.	Qty.	Type/Val.	Description
0	R 230	57.60.1682		6K8	MF, 1%, 0204, E24	0	R 434	57.60.1223		22K	MF, 1%, 0204, E24
0	R 231	57.60.1470		47R	MF, 1%, 0204, E24	0	R 435	57.60.1101		100R	MF, 1%, 0204, E24
0	R 232	57.60.1470		47R	MF, 1%, 0204, E24	0	R 436	57.60.1101		100R	MF, 1%, 0204, E24
0	R 233	57.60.1223		22K	MF, 1%, 0204, E24	1	W 1	not used			WIRE WRAP DRAHT D .25 L= 70
0	R 234	57.60.1223		22K	MF, 1%, 0204, E24	0	XIC 10	53.03.0165	1 pce	20p	DIL 0.3", löt, gerade
0	R 235	57.60.1101		100R	MF, 1%, 0204, E24	0	XIC 11	53.03.0166	1 pce	8p	DIL 0.3", löt, gerade
0	R 236	57.60.1101		100R	MF, 1%, 0204, E24	0	XIC 102	53.03.0166	1 pce	8p	DIL 0.3", löt, gerade
0	R 240	57.60.1682		6K8	MF, 1%, 0204, E24	0	XIC 103	53.03.0166	1 pce	8p	DIL 0.3", löt, gerade
0	R 241	57.60.1682		6K8	MF, 1%, 0204, E24	0	XIC 202	53.03.0166	1 pce	8p	DIL 0.3", löt, gerade
0	R 242	57.60.1682		6K8	MF, 1%, 0204, E24	0	XIC 203	53.03.0166	1 pce	8p	DIL 0.3", löt, gerade
0	R 243	57.60.1682		6K8	MF, 1%, 0204, E24	0	XIC 302	53.03.0166	1 pce	8p	DIL 0.3", löt, gerade
0	R 244	57.60.1682		6K8	MF, 1%, 0204, E24	0	XIC 303	53.03.0166	1 pce	8p	DIL 0.3", löt, gerade
0	R 245	57.60.1682		6K8	MF, 1%, 0204, E24	0	XIC 402	53.03.0166	1 pce	8p	DIL 0.3", löt, gerade
0	R 246	57.60.1151		150R	MF, 1%, 0204, E24	0	XIC 403	53.03.0166	1 pce	8p	DIL 0.3", löt, gerade
0	R 247	57.60.1330		33R	MF, 1%, 0204, E24	0	XY 1	89.01.1499	1 pce		QUARZ - ISOLIERPLATTE
0	R 249	57.60.1682		6K8	MF, 1%, 0204, E24	0	Y 1	89.01.1016		22.1184MHz	XTAL HC 49/U
0	R 250	57.60.1682		6K8	MF, 1%, 0204, E24	End of List					
0	R 251	57.60.1100		10R	MF, 1%, 0204, E24	Comments					
0	R 252	57.60.1473		47K	MF, 1%, 0204, E24	(01) Production simplification					
0	R 253	57.60.1123		12K	MF, 1%, 0204, E24	(02) D3 not used; MP11 Revision-label "A"->"B"					
0	R 254	57.60.1123		12K	MF, 1%, 0204, E24						
0	R 255	57.60.1000		0R0	MF, 0204						
0	R 256	57.60.1000		0R0	MF, 0204						
0	R 257	57.60.1100		10R	MF, 1%, 0204, E24						
0	R 258	57.60.1472		4K7	MF, 1%, 0204, E24						
0	R 259	57.60.1472		4K7	MF, 1%, 0204, E24						
0	R 301	57.60.1682		6K8	MF, 1%, 0204, E24						
0	R 302	57.60.1103		10K	MF, 1%, 0204, E24						
0	R 303	57.60.1682		6K8	MF, 1%, 0204, E24						
0	R 304	57.60.1682		6K8	MF, 1%, 0204, E24						
0	R 305	57.60.1103		10K	MF, 1%, 0204, E24						
0	R 306	57.60.1682		6K8	MF, 1%, 0204, E24						
0	R 307	57.60.1682		6K8	MF, 1%, 0204, E24						
0	R 308	57.60.1103		10K	MF, 1%, 0204, E24						
0	R 309	57.60.1682		6K8	MF, 1%, 0204, E24						
0	R 310	57.60.1682		6K8	MF, 1%, 0204, E24						
0	R 311	57.60.1682		6K8	MF, 1%, 0204, E24						
0	R 312	57.60.1682		6K8	MF, 1%, 0204, E24						
0	R 313	57.60.1682		6K8	MF, 1%, 0204, E24						
0	R 319	57.60.1682		6K8	MF, 1%, 0204, E24						
0	R 320	57.60.1123		12K	MF, 1%, 0204, E24						
0	R 321	57.60.1682		6K8	MF, 1%, 0204, E24						
0	R 323	57.60.1153		15K	MF, 1%, 0204, E24						
0	R 324	57.60.1104		100K	MF, 1%, 0204, E24						
0	R 325	57.60.1203		20K	MF, 1%, 0204, E24						
0	R 326	57.60.1203		20K	MF, 1%, 0204, E24						
0	R 327	57.60.1203		20K	MF, 1%, 0204, E24						
0	R 328	57.60.1203		20K	MF, 1%, 0204, E24						
0	R 329	57.60.1682		6K8	MF, 1%, 0204, E24						
0	R 330	57.60.1682		6K8	MF, 1%, 0204, E24						
0	R 331	57.60.1470		47R	MF, 1%, 0204, E24						
0	R 332	57.60.1470		47R	MF, 1%, 0204, E24						
0	R 333	57.60.1223		22K	MF, 1%, 0204, E24						
0	R 334	57.60.1223		22K	MF, 1%, 0204, E24						
0	R 335	57.60.1101		100R	MF, 1%, 0204, E24						
0	R 336	57.60.1101		100R	MF, 1%, 0204, E24						
0	R 401	57.60.1682		6K8	MF, 1%, 0204, E24						
0	R 402	57.60.1103		10K	MF, 1%, 0204, E24						
0	R 403	57.60.1682		6K8	MF, 1%, 0204, E24						
0	R 404	57.60.1682		6K8	MF, 1%, 0204, E24						
0	R 405	57.60.1103		10K	MF, 1%, 0204, E24						
0	R 406	57.60.1682		6K8	MF, 1%, 0204, E24						
0	R 407	57.60.1682		6K8	MF, 1%, 0204, E24						
0	R 408	57.60.1103		10K	MF, 1%, 0204, E24						
0	R 409	57.60.1682		6K8	MF, 1%, 0204, E24						
0	R 410	57.60.1682		6K8	MF, 1%, 0204, E24						
0	R 411	57.60.1682		6K8	MF, 1%, 0204, E24						
0	R 412	57.60.1682		6K8	MF, 1%, 0204, E24						
0	R 413	57.60.1682		6K8	MF, 1%, 0204, E24						
0	R 419	57.60.1682		6K8	MF, 1%, 0204, E24						
0	R 420	57.60.1123		12K	MF, 1%, 0204, E24						
0	R 421	57.60.1682		6K8	MF, 1%, 0204, E24						
0	R 423	57.60.1153		15K	MF, 1%, 0204, E24						
0	R 424	57.60.1104		100K	MF, 1%, 0204, E24						
0	R 425	57.60.1203		20K	MF, 1%, 0204, E24						
0	R 426	57.60.1203		20K	MF, 1%, 0204, E24						
0	R 427	57.60.1203		20K	MF, 1%, 0204, E24						
0	R 428	57.60.1203		20K	MF, 1%, 0204, E24						
0	R 429	57.60.1682		6K8	MF, 1%, 0204, E24						
0	R 430	57.60.1682		6K8	MF, 1%, 0204, E24						
0	R 431	57.60.1470		47R	MF, 1%, 0204, E24						
0	R 432	57.60.1470		47R	MF, 1%, 0204, E24						
0	R 433	57.60.1223		22K	MF, 1%, 0204, E24						